

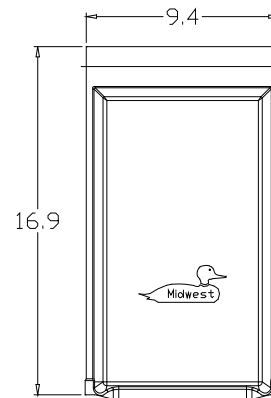
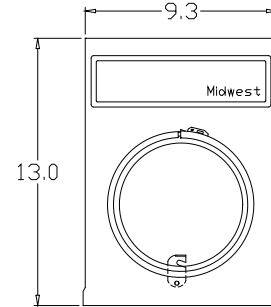
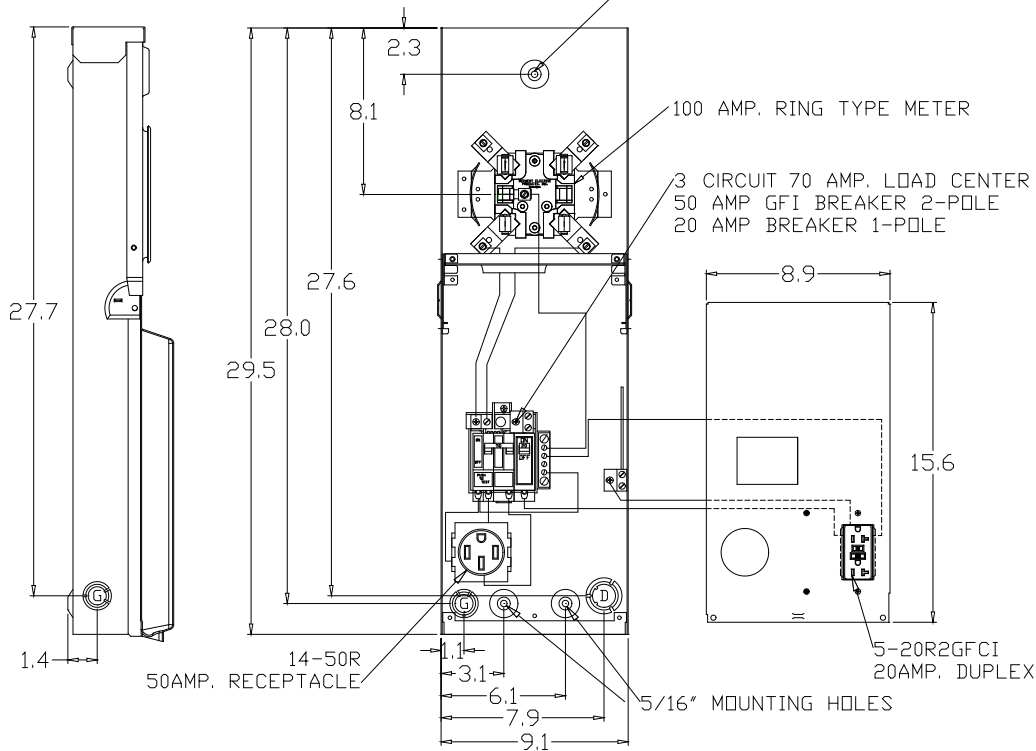
5/16" MOUNTING HOLE

100 AMP. RING TYPE METER

3 CIRCUIT 70 AMP. LOAD CENTER
50 AMP GFI BREAKER 2-POLE
20 AMP BREAKER 1-POLE

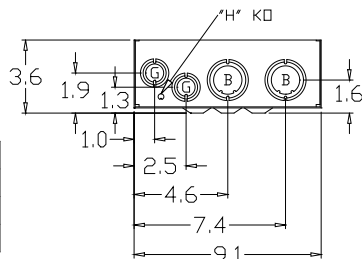
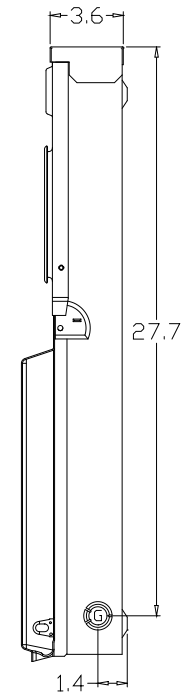
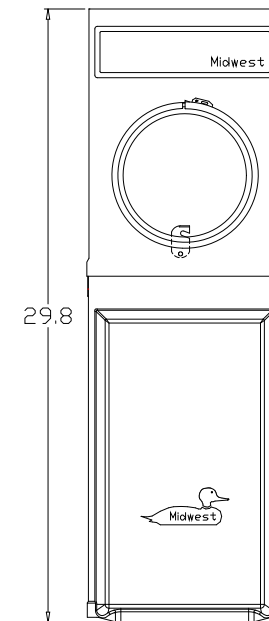
5-20R2GFCI
20AMP. DUPLEX

5/16" MOUNTING HOLES



WIRE RANGE TABLE:

CONNECTOR	COPPER		ALUMINUM	
	SOLID	STRAND	SOLID	STRAND
LINE	14-8	14-2	12-8	12-2
LOAD	14-10	14-10	-----	-----
NEUTRAL END HOLE	14-8	14-2	12-8	12-2
NEUTRAL SIDE HOLE	14-8	14-4	12-8	12-4
EQUIP. GRND.	12-8	12-2	12-8	12-2



KNOCKOUT TABLE:

G= 1/2", 3/4", 1" KO
B= 1", 1-1/4", 1-1/2" KO
D= 3/4", 1", 1-1/4" KO
H= 9/32" KO

SH40

MIDWEST ELECTRIC PRODUCTS, INC.
Mankato, MN



* = Critical To Quality
Unless Otherwise Specified
Tolerances On:
3 Pl. Decimals ± .010
2 Pl. Decimals ± .030
Fractions ± 1/32
Angles ± 1/2°
Holes ± .003
Dimensions Are In Inches

AutoCad Generated
SCALE 1:1
SIZE A
SHEET 1 OF 1

TITLE: M055C033
OUTLINE DRAWING

DWG NO: 265A6227