



MODEL #: ORSB500L4K

UPC #: 765364027109

# Small Bullet Flood



## Specifications

### Electrical Specifications

- Input Wattage: 5W
- Efficacy: 111 LpW
- AC Input: 120/208/240 V
- Driver: Constant current, Class 2, 120-240VAC 50/60Hz

### Lighting Specifications

- Total Lumens: 553
- Color Temperature: 4000K
- Color Rendering Index: 70

### Housing Specifications

- Die-cast aluminum housing
- UV stabilized power coated finish
- Color: Bronze
- Lifespan: 50,000 hours

### Lens Specifications

- Integral glare shield and tempered glass lens

### Listings

- UL/cUL standards for wet locations

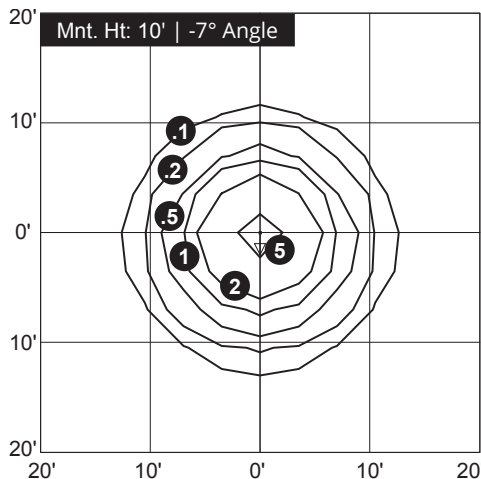
### Warranty

- 5-Year limited warranty



Model	Watts	Lumens	Volts	Color Temp.
ORSB500L4K	5 LED	553	120-240	4000K

## Photometrics



Light Loss Factor	1.00
Total Lumens	552.91
Mounting Height	10'
Tilt	-7°
Max. Calculated Value	6.45 Fc



**origin**  
BY ATLAS  
LIGHTING

PROJECT INFORMATION

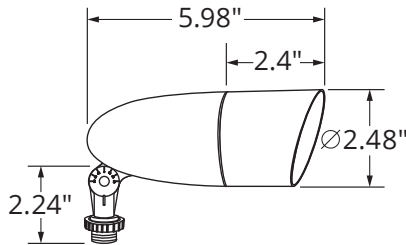
MODEL #: ORSB500L4K

UPC #: 765364027109

## Small Bullet Flood

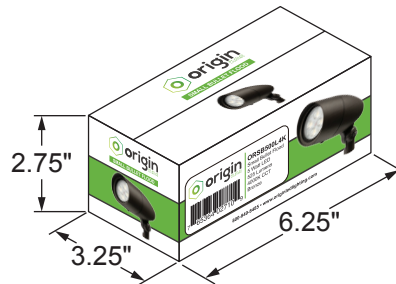
### Dimensions

#### Product Dimensions



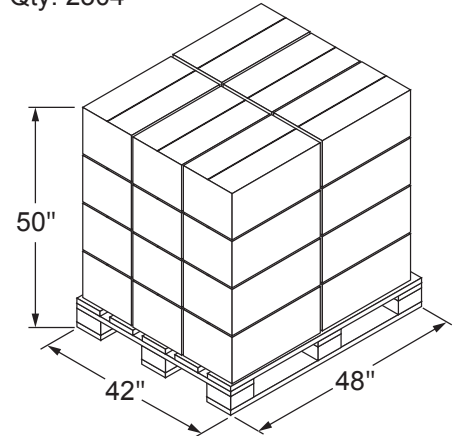
#### Carton Dimensions

Weight: 2.65 lbs.



#### Pallet Dimensions

Qty: 2304



### Installation

- Before starting ensure that the power is disconnected.
- Unpack fixture and ensure that there are no damaged parts.
- This fixture is supplied with a knuckle bracket for surface mounting.
- The knuckle is a ½" NPS thread with a locking nut.
- Seal thread with Teflon tape or silicone sealant prior to installation.
- Secure fixture to conduit thread.
- When the fixture is secured loosen the knuckle bolt to aim fixture to a desired angle.
- Tighten knuckle screw when desired angle is achieved.

