



PUSH WIRE® connector for junction boxes; 3-conductor terminal block; transparent housing; red cover

Item No.: 773-173



PUSH WIRE® connector for junction boxes; 3-conductor terminal block; transparent housing; red cover

Marking

RoHS ✓
Compliant

Business data

Supplier	WAGO
Item no.	773-173
GTIN / EAN	4050821215141
Content	1
Order amount	50
Customer item number	

Notes

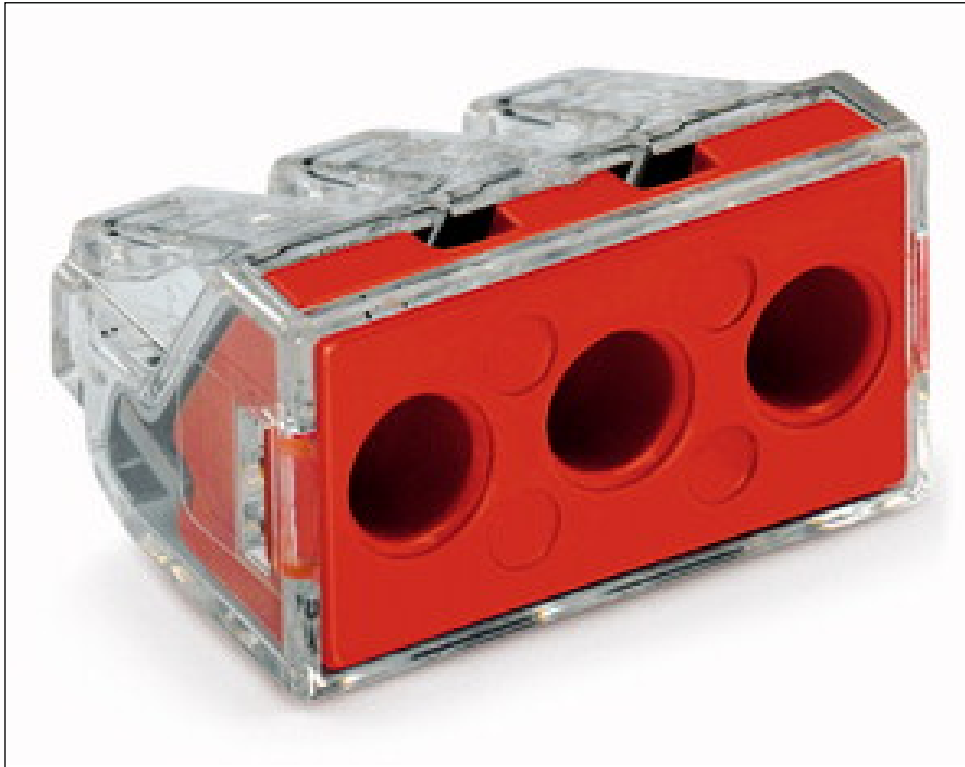
Technical data

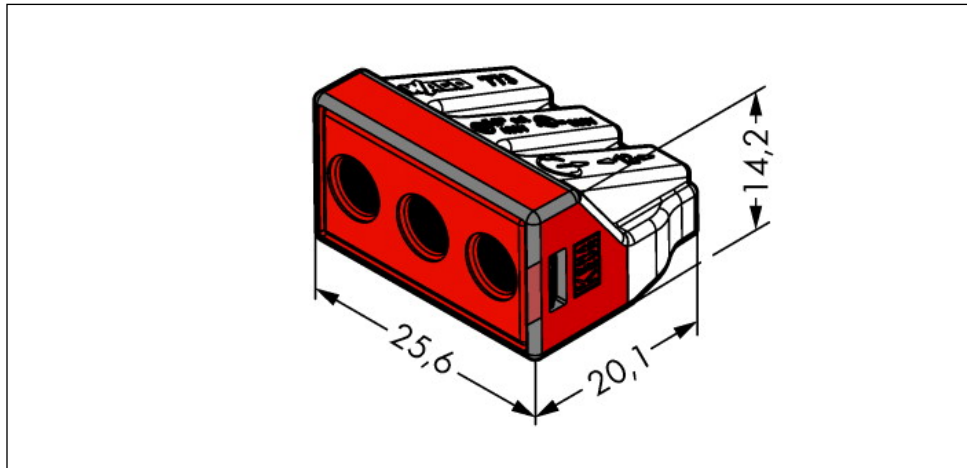
Miscellaneous

Safety information 1	In grounded power lines
Packaging type	BOX
Ratings per	IEC/EN 60664-1
Rated voltage (II / 2) [V]	400 [V]
Rated impulse voltage (II / 2) [kV]	4 [kV]
Rated current [A]	41 [A]

Technical data	
<i>Legend (ratings)</i>	<i>(II / 2) Overvoltage category II / Pollution degree 2</i>
<i>Type of wiring</i>	<i>Side-entry wiring</i>
<i>No. of poles</i>	<i>3</i>
<i>Total number of connection points</i>	<i>3</i>
<i>Total number of potentials</i>	<i>1</i>
<i>Connection technology</i>	<i>PUSH WIRE®</i>
<i>Number of connection points (connection type)</i>	<i>3</i>
<i>Actuation type</i>	<i>Push-in</i>
<i>Connectable conductor materials</i>	<i>Copper</i>
<i>Solid conductor</i>	<i>2.5 ... 6 mm² / 14 ... 10 AWG</i>
<i>Stranded conductor</i>	<i>2.5 ... 6 mm² / 14 ... 10 AWG</i>
<i>Strip length</i>	<i>12 ... 13 mm / 0.47 ... 0.51 Inch</i>
<i>Width</i>	<i>25.6 mm / 1.008 Inch</i>
<i>Height</i>	<i>14.2 mm / 0.559 Inch</i>
<i>Depth</i>	<i>20.1 mm / 0.791 Inch</i>
<i>Color</i>	<i>transparent</i>
<i>Cover color</i>	<i>red</i>
<i>Flammability class per UL94</i>	<i>V2</i>
<i>Fire load [MJ]</i>	<i>0.113 [MJ]</i>
<i>Weight [g]</i>	<i>5.752 [g]</i>
<i>Ambient temperature (operation)</i>	<i>60 °C</i>
<i>Continuous operating temperature up to [°C]</i>	<i>105 [°C]</i>

Images & drawings





Address

WAGO Kontakttechnik GmbH & Co. KG

Hansastr. 27

32423 Minden

Telefon: 0571/887-0

Fax: 0571/887-169

<http://www.wago.com>

© WAGO Kontakttechnik GmbH & Co. KG

Technische Änderungen und Irrtümer vorbehalten.