

SPECIFICATION & FEATURES

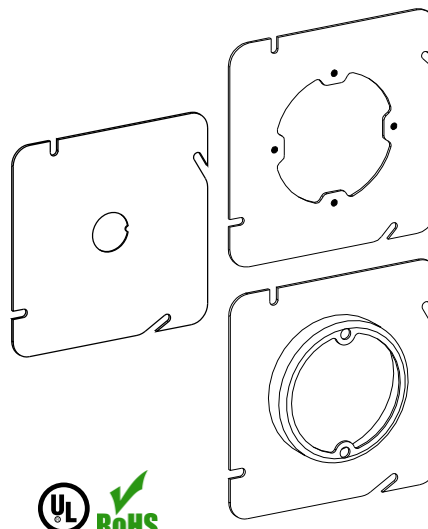
4-11/16" SQUARE (5S) COVERS FLAT OR DRAWN

DESCRIPTION:

Orbit Industries' 4-11/16" Square (5S) Covers are used to cover and protect wires inside the box. They are constructed from 16 gauge galvanized steel. Selections include flat covers with various knockouts or raised covers for a range of lighting fixtures and other devices.

CERTIFICATION:

UL file E227970, conforms to UL514A.



FEATURES

K: 1/2" K.O.

MKO: Moon K.O. (1/2" and 3/4" K.O.)

000: Flat

050: Raised 1/2"

058: Raised 5/8"

075: Raised 3/4"

100: Raised 1"

125: Raised 1-1/4"

150: Raised 1-1/2"

200: Raised 2"

DIMENSIONS

Width: 4-11/16"

Height: 4-11/16"

CONFIGURATION DATA

| Catalog No. | Description | Cu.In | Std. Pkg. |
|-------------|---------------------------------------|-------|-----------|
| 5BC | Flat, Blank | - | 50 |
| 5BCK | Flat, 1/2" KO | - | 50 |
| 5BC-MKO | Flat, MKO | - | 50 |
| 53000X | Flat, Open, Ears 2-3/4" O.C. | - | 50 |
| 53050X | Raised 1/2", Open, Ears 2-3/4" O.C. | 3.0 | 50 |
| 53058X | Raised 5/8", Open, Ears 2-3/4" O.C. | 4.0 | 50 |
| 53075 | Raised 3/4", Open, Ears 2-3/4" O.C. | 5.0 | 50 |
| 53100 | Raised 1", Open, Ears 2-3/4" O.C. | 6.8 | 25 |
| 53125X | Raised 1-1/4", Open, Ears 2-3/4" O.C. | 8.5 | 25 |
| 53150X | Raised 1-1/2", Open, Ears 2-3/4" O.C. | 9.7 | 25 |
| 53200 | Raised 2", Open, Ears 2-3/4" O.C. | 12.9 | 25 |

