

# SPECIFICATION & FEATURES

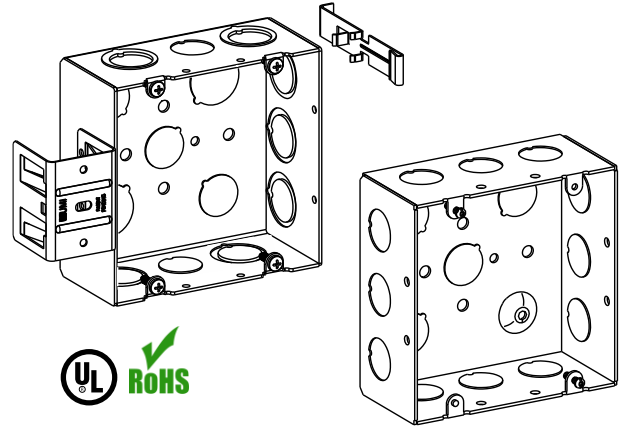
## 4-11/16" SQUARE (5S) WELDED BOXES 2-1/8" DEEP

### DESCRIPTION:

Orbit Industries' 4-11/16" Square (5S) Boxes are used to install lighting fixtures, switches, and receptacles in ceilings and walls. They are constructed from 16 gauge galvanized steel. These 2-1/8" deep, welded boxes have multiple knockouts in sizes 1/2" and 3/4". Models include either a bracket for direct mounts on studs, a back support arm, support clips, or a raised ground emboss and pre-assembled 3-way, with a 10-32 ground screw and a solid #12AWG pigtail.

### CERTIFICATION:

UL file E227970, conforms to UL514A.



### FEATURES

#### General:

With Raised Ground Emboss (Except for Bracketed Boxes and Extension Rings)

#### Pigtail Features:

PT: 7" Solid Cu. #12AWG Pigtail Pre-assembled with Ground Emboss and 10-32 Ground Screw (10" Pigtail for BSA Series, 5SDB-MKO-A-PT and 5SDB-MKO-PT-10)

#### Knockout:

50: 1/2" K.O.; 75: 3/4" K.O.; 100: 1" K.O.; 125: 1-1/4" K.O.

MKO: Moon K.O. (1/2" and 3/4" K.O.)

#### Bracket:

FB: (L: 7-3/8", W: 1-9/16") Offset (Flush) Mounts on flat side of stud

AB: 90° (L: 5-7/8", W: 7/8") Offset (Flush) Positions box against face and side of stud

MS: (L: 2-1/2", W: 1-3/8") Offset (Flush) Self-Gripping Metal Stud Bracket with Box Support Clip. Engages on either side of metal stud. U.S. Patent No.: 8,262,043

#### Back Support:

BSA: UMI Back Support Arm installed on this box provides support for studs up to 6" deep

### DIMENSIONS

Width: 4-11/16"

Height: 4-11/16"

Depth: 2-1/8"

Cu.In.: 42.0

### CONFIGURATION DATA

Catalog No.	Bracket & Setback	Knockouts		Std. Pkg.
		Sides	Bottom	
5SDB-50	-	(12)-1/2"	(4)-1/2"	24
5SDB-50-FB	FB, Flush	(9)-1/2"	(5)-1/2"	24
5SDB-50/75	-	(8)-1/2", (4)-3/4"	(2)-1/2", (2)-3/4"	24
5SDB-50/75-FB	FB, Flush	(6)-1/2", (3)-3/4"	(3)-1/2", (2)-3/4"	24
5SDB-75	-	(12)-3/4"	(2)-1/2", (2)-3/4"	24
5SDB-75/100	-	(4)-3/4", (4)-1"	(2)-1/2", (2)-3/4"	24
5SDB-75/100-FB	FB, Flush	(3)-3/4", (3)-1"	(3)-1/2", (2)-3/4"	24
5SDB-100	-	(8)-1"	(2)-1/2", (2)-3/4"	24
5SDB-100-FB	FB, Flush	(6)-1"	(3)-1/2", (2)-3/4"	24
5SDB-125	-	(6)-1-1/4"	(2)-1/2", (2)-3/4"	24
5SDB-MKO	-	(2)-1/2", (10)-MKO	(2)-1/2", (2)-3/4"	24
5SDB-MKO-PT	-	(2)-1/2", (10)-MKO	(2)-1/2", (2)-3/4"	24
5SDB-MKO-PT-10	-	(2)-1/2", (10)-MKO	(2)-1/2", (2)-3/4"	24
5SDB-MKO-A-PT	-	(12)-MKO	(1)-1/2", (3)-MKO	24
5SDB-MKO-FB	FB, Flush	(2)-1/2", (7)-MKO	(3)-1/2", (2)-3/4"	24
5SDB-MKO-MS	MS, Self-Gripping+Box support clip	(2)-1/2", (7)-MKO	(3)-1/2", (2)-3/4"	24
5SDB-50/75-EXT	-	(8)-1/2", (4)-3/4"	-	24
5SDB-MKO-EXT	-	(2)-1/2", (10)-MKO	-	24
5SDB-50/75-PT-BSA	Back Support Arm	(8)-1/2", (4)-3/4"	(3)-3/4"	24
5SDB-50/75-AB-PT-BSA	AB, Flush, Back Support Arm	(6)-1/2", (3)-3/4"	(3)-3/4"	24

