

SPECIFICATION & FEATURES

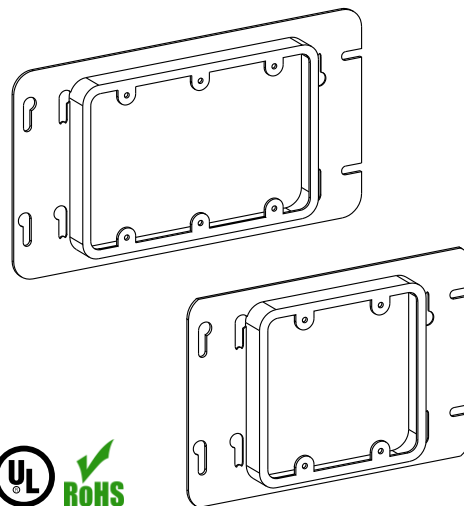
DEVICE RINGS FOR MULTIGANG BOXES 2 TO 10 GANGS RAISED 3/4"

DESCRIPTION:

Orbit Industries' Device Rings for Multigang Boxes are used to mount electrical fixtures, switches, and other electrical devices. They are constructed from 16 gauge galvanized steel. They are raised 3/4" to accommodate extra wall thickness and fit boxes with multiple gangs ranging from 2 to 10 gangs.

CERTIFICATION:

UL file E227970, conforms to UL514A.



DIMENSIONS

Raised: 3/4"

Other Dimensions see below

CONFIGURATION DATA

Catalog No.	No. of Gangs	WxH	Cu.In.	Std. Pkg.
SR-2	2	6-13/16"x4-9/16"	9.1	5
SR-3	3	8-5/8"x4-9/16"	14.9	5
SR-4	4	10-7/16"x4-9/16"	21.0	5
SR-5	5	12-1/4"x4-9/16"	25.5	5
SR-6	6	14-1/16"x4-9/16"	30.8	1
SR-7	7	15-7/8"x4-9/16"	36.1	1
SR-8	8	17-11/16"x4-9/16"	41.1	1
SR-9	9	19-1/2"x4-9/16"	46.4	1
SR-10	10	21-3/8"x4-9/16"	51.3	1

