

SPECIFICATION & FEATURES

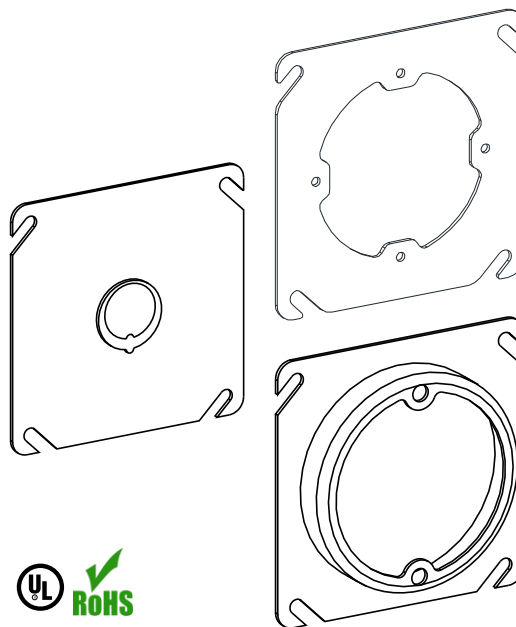
4" SQUARE (4S) COVERS FLAT OR DRAWN

DESCRIPTION:

Orbit Industries' 4" Square (4S) Covers are used to cover and protect wires inside the box. They are constructed from 16 gauge galvanized steel. Selections include flat covers with various knockouts or raised covers for a range of lighting fixtures and other devices.

CERTIFICATION:

UL file E227970, conforms to UL514A.



FEATURES

K: 1/2" K.O.

MKO: Moon K.O. (1/2" and 3/4" K.O.)

050: Raised 1/2"

058: Raised 5/8"

075: Raised 3/4"

100: Raised 1"

125: Raised 1-1/4"

150: Raised 1-1/2"

200: Raised 2"

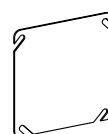
DIMENSIONS

Width: 4"

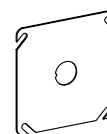
Height: 4"

CONFIGURATION DATA

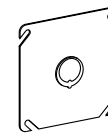
Catalog No.	Description	Cu.In	Std. Pkg.
4BC	Flat, Blank	-	50
4BCK	Flat, 1/2" KO	-	50
4BC-MKO	Flat, MKO	-	50
43000X	Flat, Open, Ears 2-3/4" O.C.	-	50
43050	Raised 1/2", Open, Ears 2-3/4" O.C.	3.0	50
43058X	Raised 5/8", Open, Ears 2-3/4" O.C.	4.0	50
43075	Raised 3/4", Open, Ears 2-3/4" O.C.	5.0	50
43100	Raised 1", Open, Ears 2-3/4" O.C.	6.8	25
43125X	Raised 1-1/4", Open, Ears 2-3/4" O.C.	8.5	25
43150X	Raised 1-1/2", Open, Ears 2-3/4" O.C.	9.7	25
43200	Raised 2", Open, Ears 2-3/4" O.C.	12.9	25



4BC



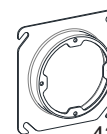
4BCK



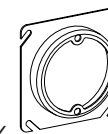
4BC-MKO



43000X



43058X
43125X
43150X



43050
43075
43100
43200

