

NOTICE:

Schwank reserves the right to make changes to equipment and specifications without obligation or notification.

This publication, or parts thereof, may not be reproduced in any form, without prior written consent from Schwank. Unauthorized use or distribution of this publication is strictly prohibited.

Schwank
5285 Bradco Boulevard,
Mississauga, Ontario,
L4W 2A6

2 Schwank Way
Waynesboro, Georgia,
USA, 30830

Customer and Technical Services

Phone: 1-877-446-3727

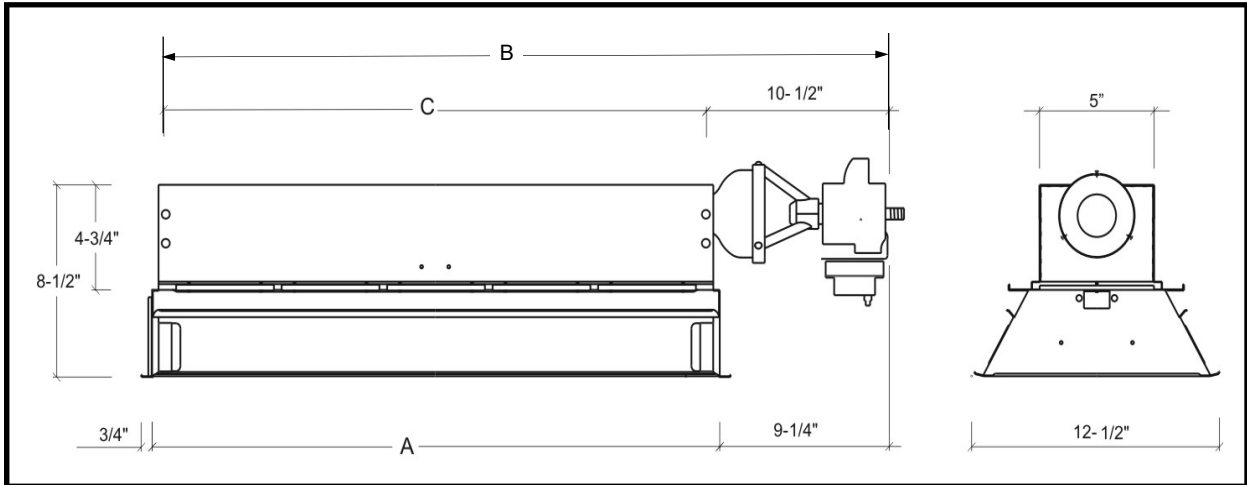
Fax : 1-866-361-0523

e-mail: csr@schwankgroup.com

www.schwankgroup.com

DIAGRAMS AND SPECIFICATIONS:

DIMENSION DIAGRAM FOR THE LUMINOUS HEATERS



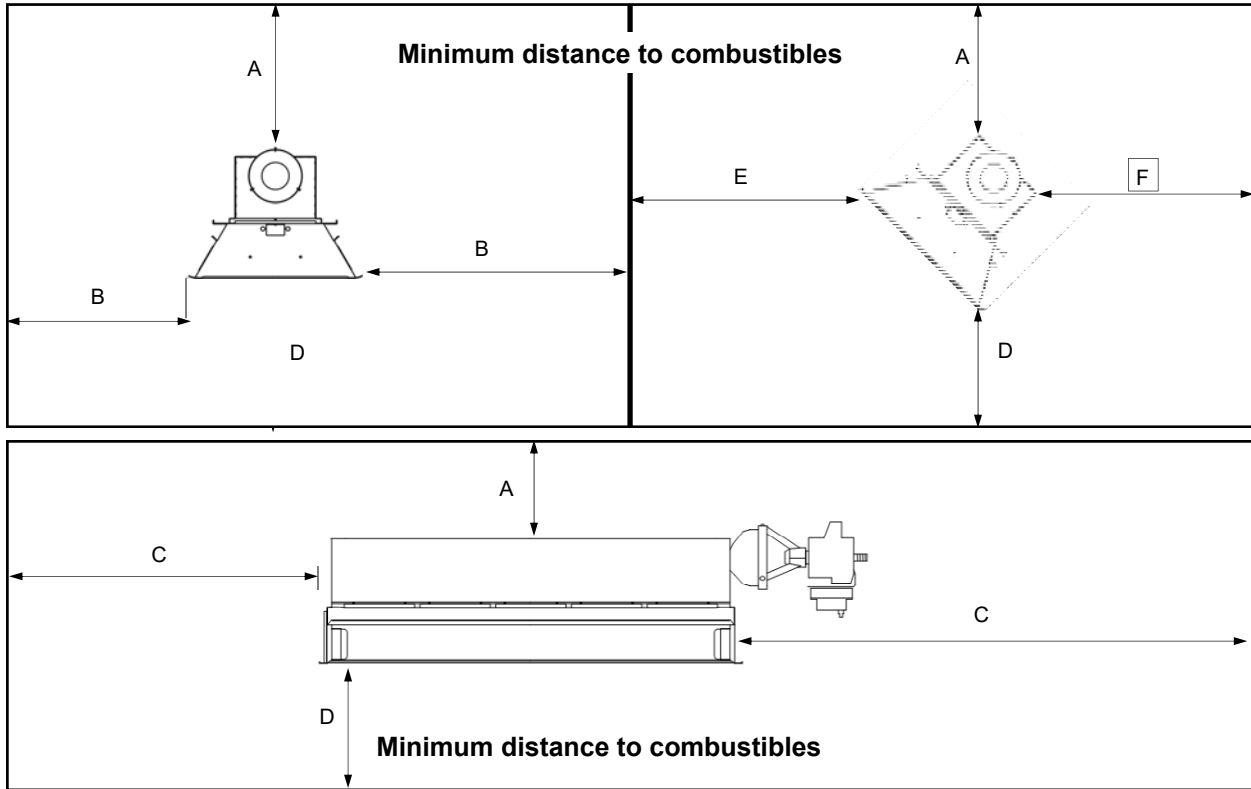
| QUANTITY ON PROJECT | MODEL NO. | A | B | C (SUSPENSION POINTS) | RATING BTU/HR | WEIGHT LBS. |
|---------------------|---------------|---------|---------|-----------------------|---------------|-------------|
| | ecoSchwank 6 | 12-5/8" | 24" | 14" | 21,500 | 22 |
| | ecoSchwank 10 | 19-3/4" | 30-1/4" | 18-1/4" | 34,000* | 26 |
| | ecoSchwank 13 | 27-1/8" | 38-1/2" | 25-1/2" | 50,000 | 31 |
| | ecoSchwank 18 | 38" | 48-1/2" | 36-3/8" | 65,000 | 38 |
| | ecoSchwank 26 | 52-3/4" | 63-3/4" | 51" | 100,000 | 45 |

* BTU Inputs: ecoSchwank-X 10 NG - 34,000 & ecoSchwank-X 10 LP - 33,000

ELECTRICAL: 24V AC, 60 Hz, 0.55 AMPS

| GAS SUPPLY | NATURAL GAS | MINIMUM LINE PRESSURE MAXIMUM LINE PRESSURE MANIFOLD PRESSURE | 6" w.c. 14" w.c. 5" w.c. | 1/2" GAS INLET PIPE SIZE |
|------------|-------------|---|----------------------------------|-----------------------------|
| | PROPANE GAS | MINIMUM LINE PRESSURE MAXIMUM LINE PRESSURE MANIFOLD PRESSURE | 11" w.c. 14" w.c. 10" w.c. | 1/2" GAS INLET PIPE SIZE |

MOUNTING DIAGRAM FOR COMBINED INTENSITY HEATERS



CLEARANCES TO COMBUSTIBLES CHART :

| QTY ON PROJECT | HEATER MODEL NO | TOP < A > | SIDE < B > | END < C > | BOTTOM < D > | FRONT < E > | REAR < F > |
|----------------|-------------------|-----------|------------|-----------|--------------|-------------|------------|
| | ecoSchwank 6 N/L | 24" | 27" | 24" | 60" | 60" | 24" |
| | ecoSchwank 10 N/L | 24" | 27" | 24" | 60" | 60" | 24" |
| | ecoSchwank 13 N/L | 24" | 27" | 24" | 78" | 78" | 24" |
| | ecoSchwank 18 N/L | 30" | 33" | 30" | 84" | 84" | 30" |
| | ecoSchwank 26 N/L | 36" | 33" | 30" | 84" | 84" | 30" |

SUGGESTED MOUNTING DISTANCES FOR COMFORT:

| QUANTITY ON PROJECT | HEATER MODEL NO | MINIMUM FLOOR HEIGHT < > | MAXIMUM DISTANCE BETWEEN HEATERS | MAXIMUM DISTANCE BETWEEN ROWS |
|---------------------|-------------------|--------------------------|----------------------------------|-------------------------------|
| | ecoSchwank 6 N/L | 12' | 18' | 25' |
| | ecoSchwank 10 N/L | 15' | 22' | 30' |
| | ecoSchwank 13 N/L | 16' | 28' | 40' |
| | ecoSchwank 18 N/L | 19' | 34' | 60' |
| | ecoSchwank 26 N/L | 22' | 40' | 80' |

COMPONENT DESCRIPTION:

QTY

| | | |
|-------------------------------|--|--|
| THERMOSTAT OPTIONS | | SCHWANK TRU-TEMP SET BACK STAT - WITH RADIANT & AMBIENT SENSORS AND AUTOMATIC UNOCCUPIED MODE |
| | | SCHWANK THERMO CONTROL PLUS |
| | | 120 VOLT LINE VOLTAGE |
| | | 24 VOLT |
| IGNITION | FENWAL 35-60 DIRECT SPARK MODULE; 24 SECOND SPARK TRIAL; 3 TRIAL IGNITION; SOFT LOCKOUT WITH RESET/RETRIAL 1 HOUR | |
| COMBINATION GAS VALVE | 24 VOLT | NATURAL GAS 5" W.C. MANIFOLD PRESSURE PROPANE 10" W.C. MANIFOLD PRESSURE |
| REFLECTORS | ALUMINIZED STEEL | |
| VENTURI TUBE | ALUMINIZED STEEL BUILT INTO BURNER HOUSING | |
| BURNER | SINGLE PANEL WITH COMPLETE IGNITION / SENSING SYSTEM | |
| CERAMIC TILE | SCHWANK CERA EFFECT TILE 14/4 <ul style="list-style-type: none"> • WITH SURFACE INDENTATIONS TO INCREASE EMITTING SURFACE AREA • HARD FINISHED EDGES DO NOT REQUIRE GASKETING BETWEEN TILES | |
| TILE RETAINERS | STAINLESS STEEL | |
| COMBUSTION | "COLD STATE" COMBUSTION OF 900 DEGREES CELSIUS TO ENSURE MINIMUM EMISSIONS | |