

Catalog Number
Notes
Type

FEATURES & SPECIFICATIONS

INTENDED USE — To be powered by Quantum series emergency units and any battery voltage system between 5VDC and 30VDC output and with adequate wattage capacity. Remote lamp head matches the appearance of the Quantum® ELM2LF, ELM2L, ELM4L, ELM6L series units, as part of an emergency lighting system providing light for the path of egress. **Certain airborne contaminants can diminish the integrity of acrylic and/or polycarbonate.** [Click here for Acrylic-Polycarbonate Compatibility table for suitable uses.](#)

CONSTRUCTION — Compact, low-profile contemporary design, available in white (standard) or black. Engineering-grade thermoplastic housing is impact-resistant, scratch-resistant and corrosion-proof. UV stable resin resists discoloration from natural and man-made light sources. Strong, compact and corrosion-resistant with a UL94V-0 flame rating.

Single or twin heads available.

Fully adjustable lamp heads to meet all aiming requirements.

Universal J-box mounting pattern. Tool-less access for maintenance. **US Patent No. D483,511.**

OPTICS — LED, available in 1.2W, 3.3W or 5.3W lamps @ 5VDC-30VDC (10-40°C) and @ 7VDC-30VDC (-30-40°C) input. The typical life of the LED is 10 years.

LEDs provide nominal 70 CRI at 5000 K.

INSTALLATION — Wall or Ceiling mount standard. Flexible conduit entry provision on top of the unit. **US Patent No. D483,511.**

LISTINGS — UL damp location listed standard and wet location listed when used with the WPVS accessory, up to -22-104°F (-30 -40°C). Meets UL 924, NFPA 101 (current Life Safety Code). Meets NFPA 70 (NEC), C22.2 CSA. Meets all applicable FCC requirements. Meets NEC and OSHA illumination standards. Meets Mexican standards.

WARRANTY — 5-year limited warranty. Complete warranty terms located at: www.acuitybrands.com/CustomerResources/Terms_and_conditions.aspx

NOTE: Actual performance may differ as a result of end-user environment and application.

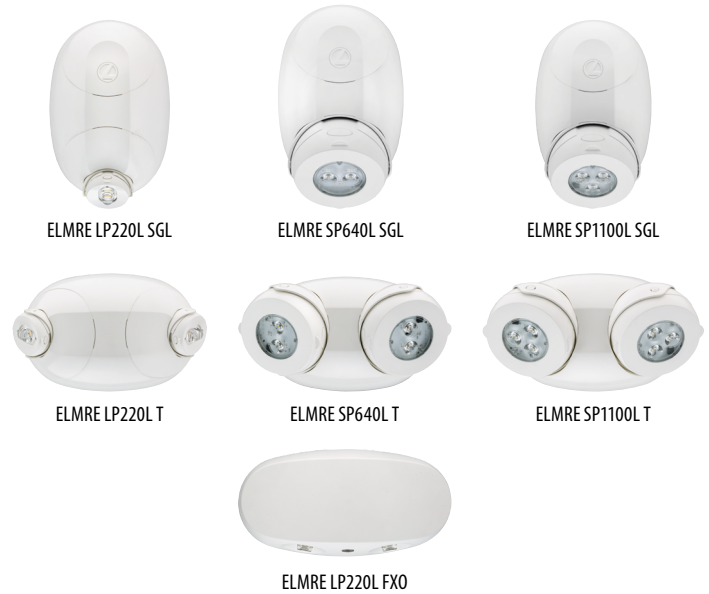
All values are design or typical values, measured under laboratory conditions at 25 °C.

Specifications subject to change without notice.



LED Thermoplastic Emergency Remote

ELMRE

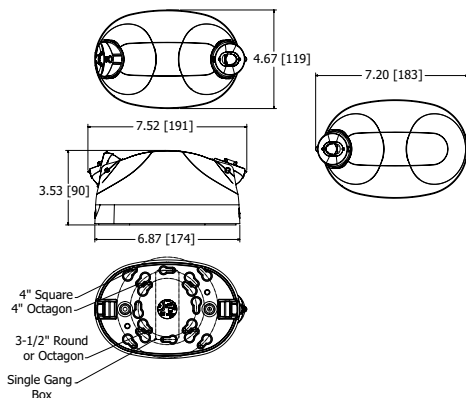


MOUNTING

All dimensions are inches (centimeters) unless otherwise indicated.

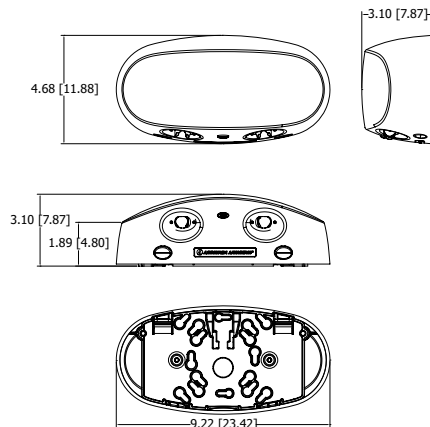
*ELMRE LP220L SGL / T
Specifications*

Length: 6.87 (174)
Depth: 3.53 (90)
Height: 4.67 (119)
Weight of SGL: 0.75 lbs (0.34kg)
Weight of T: 0.8 lbs (0.36kg)



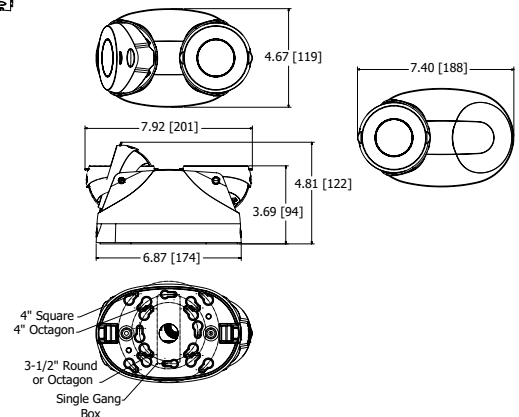
*ELMRE LP220L FXO
Specifications*

Length: 9.22 (23.42)
Depth: 3.10 (7.87)
Height: 4.68 (11.88)
Weight: 1.25lbs (0.57kg)



*ELMRE SP640L SGL / T
ELMRE SP1100L SGL / T
Specifications*

Length: 6.87 (174)
Depth: 3.69 (94)
Height: 4.67 (119)
Weight of SP640L SGL: 1.05lbs (0.48kg)
Weight of SP640L T: 1.55lbs (0.70kg)
Weight of SP1100L SGL: 1.2lbs (0.54kg)
Weight of SP1100L T: 1.65lbs (0.75kg)



ELMRE Quantum® LED Thermoplastic Emergency Light

ORDERING INFORMATION

For shortest lead times, configure product using **bolded options**.

Example: ELMRE LP220L SGL

Series	Voltage	Lamp Type	Housing Color	Number of lamps	Lamp head type
ELMRE LED thermoplastic emergency remote	(blank) Universal DC voltage (5-30VDC) ¹	LP220L 110 lumen, 1.2 watt, Linear Pattern SP640L 320 lumen, 3.3 watt, Spot Pattern SP1100L 550 lumen, 5.3 watt, Spot Pattern	(blank) White B Black	(blank) Fixed lamps only SGL Single, aimable T Twin, aimable ²	FXO Fixed lamps ³

Accessories: Order as separate catalog number.

WPVS SML W	White, wet protective vandal shield (must be used for wet location applications). Decreases delivered lumens up to 20%. For black, change W to B. See spec sheet WPVS
ELA WG1	Wireguard, 15" W x 13-1/2" H x 6" D (see spec sheet ELA-WG)

Notes

- 1 5VDC-30VDC input compatible at (10-40°C) and 7VDC-30VDC input compatible at (-30-40°C)
- 2 For twin (T) remote, multiply lumens and watts by 2.
- 3 FXO only available with LP220L lamp type. Not available with SGL or T. Includes 2 lamp heads (same appearance as ELM2LF with no battery).



ELMRE LP220L T with WPVS SML W accessory for wet locations and vandal protection

BATTERY CAPACITY AND LOADING

Battery Option (LTP Only)	Battery Voltage	Total Capacity 90 Minutes	LP220L (1.2 Watts each) Maximum # Remote Lamps ¹	SP640L (3.3 Watts each) Maximum # Remote Lamps ¹	SP1100L (5.3 Watts each) Maximum # Remote Lamps ¹
ELM2L LTP	9.6V	4.8 watts	2	0	0
ELM2LF LTP	9.6V	4.8 watts	2	0	0
ELM4L LTP	9.6V	11 watts	3	1	NA
ELM4L LTP HO	9.6V	22 watts	12	4	2
ELM4L LTP EHO	12.8V	32 watts	21	7	6
ELM6L LTP	9.6V	11 watts	0	0	0
ELM6L LTP HO	9.6V	22 watts	9	3	2
ELM6L LTP EHO	12.8V	32 watts	17	6	4
ELM6L LLH LTP	9.6V	11 watts	9	3	2
ELM6L LLH LTP HO	9.6V	22 watts	18	6	4
ELM6L LLH LTP EHO	12.8V	32 watts	26	9	6

Notes

- 1 These are in addition to the lamp heads on the product.