



CATALOG NUMBER: MH100-0204-KT	
JOB NAME:	
CUSTOMER NAME:	
NOTES:	TYPE:
	DATE:

**FEATURES AND SPECIFICATIONS**

**HID KITS**  
**METAL HALIDE BALLAST KIT WITHOUT LAMP**  
 FOR 100W METAL HALIDE

**Wattages:**  
 Metal Halide: 100w

**Construction:**  
 Attractive Display Carton  
 Easy Access Packaging  
 No Staples / No Tape

**EISA REQUIREMENTS  
 ARE NOT APPLICABLE TO  
 REPLACEMENTS KITS**

**Mounting**  
 Factory Drilled for Mounting

**Specifications:**  
 Mounting Holes: .218" Dia. (0.55 cm)  
 Weight: 5.0 lbs. (2.30 kg)

**Warranty:**  
 Atlas Lighting Products provides a 3 year limited warranty for this product.  
 A full warranty can be found at [www.alpinc.com](http://www.alpinc.com).



INPUT VOLTS	120	208	240	277
-------------	-----	-----	-----	-----

**ORDERING INFORMATION**

CIRCUIT TYPE	HX-HPF				
POWER FACTOR (min)	90%				
REGULATION					
Line Volts	±10%				
Lamp Watts	±10%				
LINE CURRENT (Amps)					
Operating.....	1.9	1.4	.7	.5	
UL TEMPERATURE RATINGS					
Insulation Class	H(180°C)				
Coil Temperature Code	1029	A	A	A	A
MIN. AMBIENT STARTING TEMP.	-20°F or -30°C				
NOM. OPEN CIRCUIT VOLTAGE	280				
INPUT WATTS	125				
RECOMMENDED FUSE (Amps).....		5	4	2	2
WEIGHT (lbs.)	5				
60 Hz TEST PROCEDURES					
High Potential Test (Volts)					
1 minute	2000				
2 seconds	2500				
Open Circuit Voltage Test (Volts)	250-310				

Catalog #	Description	Volts
MH100-0204-KT	MH Ballast Kit	Quad

**BALLAST TYPE**

**HX-HPF**

Actual performance can vary depending on operating conditions. Specifications are subject to change without notice.

**ATLAS LIGHTING PRODUCTS, INC.**

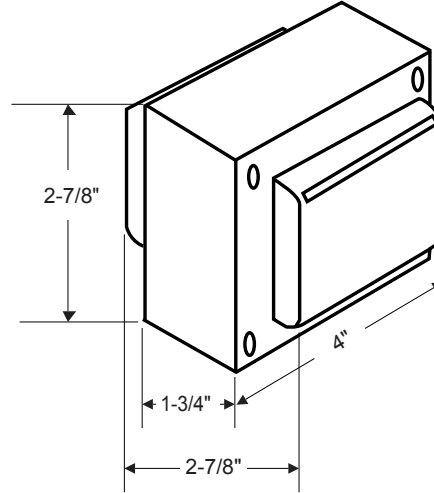
PO BOX 2348 | BURLINGTON, NC 27216  
 800-849-8485 | FAX: 336-227-0110 | [www.atlaslightingproducts.com](http://www.atlaslightingproducts.com)

## DIMENSIONS

### Specifications:

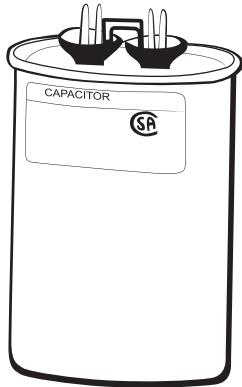
**Mounting Holes:**  
 0.218" Dia. (0.55 cm)

**Weight:**  
 5.0 lbs. / 2.30 kg.



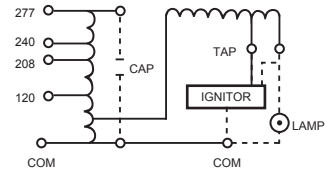
## CAPACITOR INFORMATION

**Capacitance:** 100 Watt  
**Dia/Oval Dim:** 2.17"  
**Height:** 4.55"  
**Temp Rating:** 90°C  
**MicroFarad (MFD):** 12, 330V



40-008

## WIRING DIAGRAM



Actual performance can vary depending on operating conditions. Specifications are subject to change without notice.