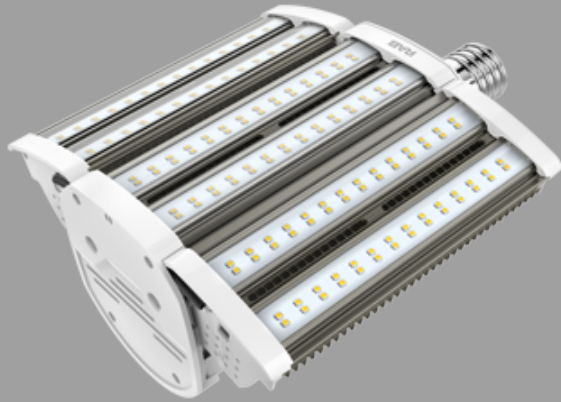


Project:

Type:

Prepared By:

Date:



UPC: 019813749068



Features and Benefits

Replacement for traditional Metal Halide or High Pressure Sodium HID Lamps

Ideal for shoebox and canopy retrofit applications

Optimized for Horizontal Applications with Directional Light Output and Rotatable base

Active Cooling: Internal sensor overheat and engaged will automatically reduce output to 70% rated wattage until the sensor cools and will light up again to 100%

Integral Driver enables lamp to be wired directly to line voltage without need for an external driver or ballast

Rated for use in enclosed and open fixtures in dry or damp locations

4kV surge protection built in

50,000 hour Lifespan

Environmentally friendly, no mercury used

UL Listed, UL Classified, DLC Listed

Non-Dimmable

5 Year No Compromise Warranty

Technical Specifications

Performance

Product Type:

HID

Input Wattage:

110W

Typical Lumen Output:

13800

Efficacy:

125 lm/W

Color Temperature:

5000K Daylight

CRI:

80

L70 Lifespan:

50,000 Hours

Dimmable:

No

Construction

Bulb Shape:

Shoebox

Base Type:

EX39

Beam Angle:

180°

Other

Equivalency:

400W HID

Warranty (Years):

RAB warrants that our LED products will be free from defects in materials and workmanship for a period of five (5) years from the date of delivery to the end user, including coverage of light output, color stability, driver performance and fixture finish. RAB's warranty is subject to all terms and conditions found at rablighting.com/warranty.

Electrical

Power Factor:

0.9

Operating Temperature:

-30°C - 60°C

Input Voltage:

100-277V

Technical Specifications (continued)

Installation

Installation Type:

Type B, Ballast Bypass

Installation Orientation:

Horizontal

Technical Specifications

For Use in Emergency Fixtures:

No

For Use Outdoors in Open Fixtures:

Yes

Electrical Characteristics

Flicker:

<30%

THDi:

<20%

Compliance

UL Listed:

Yes

UL Classified:

Yes

DLC Listed:

This product is on the Design Lights Consortium (DLC) Qualified Products List and is eligible for rebates from DLC Member Utilities.

DLC Model Number:

HID-110-H-EX39-850-BYP-SB

DLC Product Code:

POTO54B5

CEC Status:

Lawful for sale in California

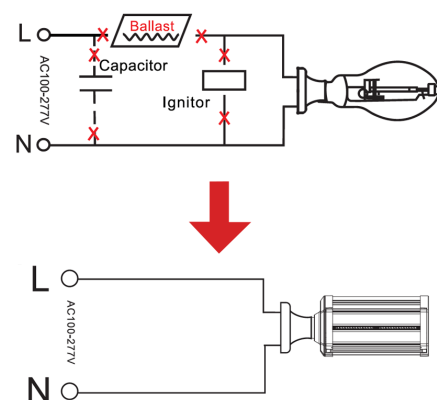
Minimum Compartment Size

| Length x Width x Height [in] | Lamp Quantity |
|------------------------------|---------------|
| 11.0 x 11.0 x 9.8 | 1 |

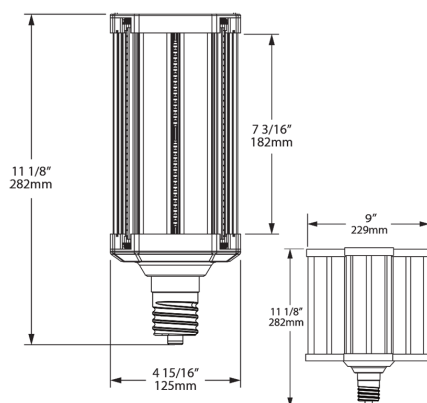
Case and Pallet Dimensions

| | QTY | LENGTH (in) | WIDTH (in) | HEIGHT (in) |
|--------|-----|-------------|------------|-------------|
| CASE | 6 | 17.5 | 13.3 | 13.6 |
| PALLET | 108 | 28.5 | 37 | 45.5 |

Wiring Diagram



Dimension



Light Distribution

