

<b>Project:</b>	<b>Type:</b>	<b>Prepared By:</b>	<b>Date:</b>
-----------------	--------------	---------------------	--------------



### Features and Benefits

Replacement for conventional fluorescent T8 and T12 linear tubes

Integral Driver enables lamp to be wired directly to line voltage without need for an external driver or ballast

Double ended wiring method

Works with non-shunted sockets AND shunted sockets.

Approximately 50% more energy efficient when compared to Fluorescent T8 lamps

50,000 hour Lifespan.

Rated for use in enclosed and open fixtures in dry or damp locations

Diffused frosted lens will maintain the same light quality over time

Instant on full brightness

Environmentally friendly, no mercury used

NSF Listed: NSF/ANSI Standard 2 - Food Equipment - Splash Zone (Not for Direct Food Zone without additional fixture considerations)

Internal thermal fuse for added safety

Emergency back up available. Catalog Numbers: DRI-5-EMGR-T8, DRI-10-EMGR-TYPE B

Technical Specifications		
<b>Performance</b>	<b>L70 Lifespan:</b>	<b>For Use Outdoors in Open Fixtures:</b>
<b>Product Type:</b> Linear	50,000 Hours	No
<b>Input Wattage:</b> 9W	<b>Dimmable:</b> No	<b>Construction</b>
<b>Typical Lumen Output:</b> 1150	<b>Technical Specifications</b>	<b>Bulb Shape:</b> T8
<b>Efficacy:</b> 130 lm/W	<b>Material:</b> Glass	<b>Base Type:</b> G13
<b>Color Temperature:</b> 4000K Cool White	<b>Nominal Length:</b> 2FT	<b>Beam Angle:</b> 240°
<b>CRI:</b> 82	<b>Finish:</b> Frosted	<b>Other</b>
	<b>For Use in Emergency Fixtures:</b> No	<b>Equivalency:</b> 17W Fluorescent

## Technical Specifications (continued)

### Other

#### Warranty (Years):

RAB warrants that our LED products will be free from defects in materials and workmanship for a period of five (5) years from the date of delivery to the end user, including coverage of light output, color stability, driver performance and fixture finish. RAB's warranty is subject to all terms and conditions found at [rablighting.com/warranty](http://rablighting.com/warranty).

### Electrical

#### Power Factor:

0.9

#### Operating Temperature:

-20°C - 45°C

#### Input Voltage:

120-277V

#### Operating Frequency:

50 / 60 Hz

### Installation

#### Installation Type:

Type B, Double Ended wiring

### Electrical Characteristics

#### THDi:

<20%

### Compliance

#### UL Recognized:

Yes

#### UL Classified:

Yes

#### NSF Listed:

Meets NSF/ANSI standards for use in Food Zone (non-contact), Splash, and Non-Food Zones. Tube guard required in open fixtures.

#### DLC Listed:

This product is on the Design Lights Consortium (DLC) Qualified Products List and is eligible for rebates from DLC Member Utilities.

#### DLC Model Number:

T8-9-24G-840-DE-BYP

#### DLC Product Code:

PNUWOH5F

#### CEC Status:

Lawful for sale in California

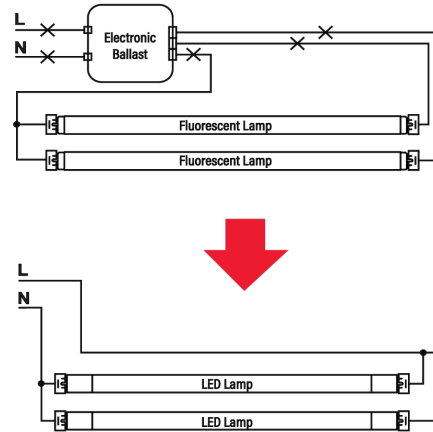
#### Application:

Suitable for damp locations and totally enclosed fixtures.

## Case and Pallet Dimensions

	QTY	LENGTH (in)	WIDTH (in)	HEIGHT (in)
<b>CASE</b>	25	25	6.3	6.5
<b>PALLET</b>	1750	49.2	39.4	50.2

## Wiring Diagram



## Dimension

