

**Project:**

**Type:**

**Prepared By:**

**Date:**



UPC: 019813834085



### Features and Benefits

**HID REPLACEMENT** - Replace conventional HID lamps

**BALLAST BYPASS** - Internal driver eliminates the need for external driver or ballast

**50,000-HOUR LIFESPAN** - Lasts 25x the life of conventional HID lamps

**ENERGY SAVINGS** - Uses 76% less energy than traditional lamps

**HEAT DISSIPATION** - Thermal technology extends lifespan

**WATER & DUST RESISTANT** - Ideal for warehouse applications

**ENCLOSED FIXTURE RATED** - May be used in enclosed and open fixtures

**MERCURY FREE** - Environmentally friendly

**SURGE PROTECTION** - Includes 4kV surge protection

### Technical Specifications

Product Type	HID
Bulb Shape	High Bay
Wattage	135W
Wattage Equivalency	400W/600W HID
Typical Lumen Output	20000
Efficacy	148 lm/W
Color Temperature	5000K Daylight
CRI	80
Base Type	EX39
L70 Lifespan	50,000 hours
Operating Temperature	-20°C - 45°C
Dimmable	No
Beam Angle	90°
Warranty	5-Year, No-Compromise Warranty
Installation Type	Type B, Ballast Bypass
Installation Orientation	Vertical
For Use in Emergency Fixtures	No
For Use Outdoors in Open Fixtures	No

### Electrical Characteristics

Input Voltage	120-277V
Power Factor	0.9
Operating Frequency	50 / 60 Hz
Input Current @ 120V	1109mA
Input Current @ 277V	598mA

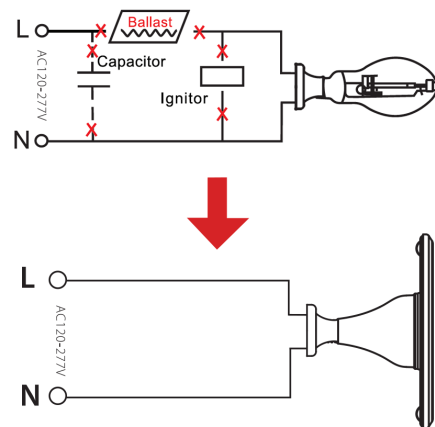
### Listings

UL Recognized	Yes
UL Classified	Yes
DLC Listed	This product is on the Design Lights Consortium (DLC) Qualified Products List and is eligible for rebates from DLC Member Utilities.
DLC Model Number	H10016
DLC Product Code	P9Y4XR8E
CEC Status	Lawful for sale in California

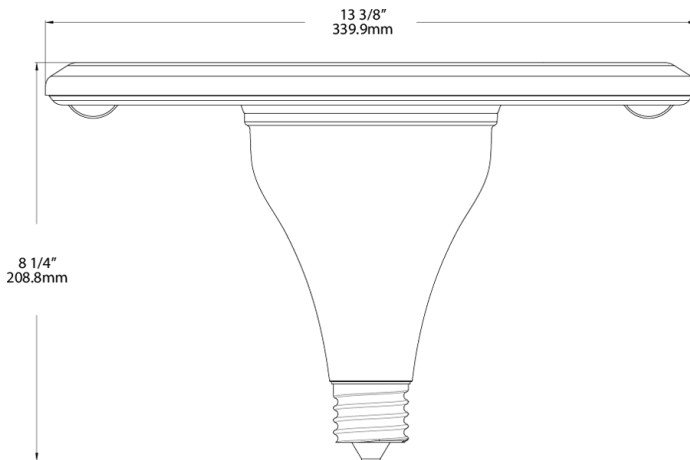
## Case and Pallet Dimensions

	QTY	LENGTH	WIDTH	HEIGHT
CASE	2	15	15.2	18.1
PALLET	36	46.9	47.3	37.8

## Wiring Diagram



## Dimension



## Light Distribution

