



Affordable 37W and 24W LED wall packs with traditional look. 100,000 hour L70 lifespan. 5-year, no-compromise warranty.

Color: Bronze

Weight: 9.6 lbs

**Project:**

**Type:**

**Prepared By:**

**Date:**

**Driver Info**

**LED Info**

Type	Constant Current	Watts	37.00W
120V	0.31A	Color Temp	5000K (Cool)
208V	0.19A	Color Accuracy	83 CRI
240V	0.17A	L70 Lifespan	100,000
277V	0.15A	Lumens	4,387
Input Watts	37.10W	Efficacy	118.2 LPW
Efficiency	N/A		

**Technical Specifications**

**Listings**

**UL Listed:**

Suitable for wet locations. Wall mount only.

**IESNA LM-79 & LM-80 Testing:**

RAB LED luminaires and LED components have been tested by an independent laboratory in accordance with IESNA LM-79 and LM-80.

**DLC Listed:**

This product is on the Design Lights Consortium (DLC) Qualified Products List and is eligible for rebates from DLC Member Utilities. DLC Product Code: P163JKD4

**Optical**

**BUG Rating:**

B1 U4 G3

**Construction**

**Maximum Ambient Temperature:**

Suitable for use in 40°C (104°F)

**Cold Weather Starting:**

Minimum starting temperature is -40°C (-40°F)

**Housing:**

Precision die-cast aluminum housing

**Mounting:**

Die-cast backbox with four (4) conduit entry points and knockout pattern for junction box or direct wall mounting. Hinged door for easy re-assembly.

**Lens:**

Prismatic, heat-resistant borosilicate glass

**Reflector:**

High-gloss white aluminum

**Gaskets:**

High-temperature silicone gaskets

**Finish:**

Formulated for high durability and long-lasting color

**Green Technology:**

Mercury and UV free. RoHS-compliant components.

**LED Characteristics**

**Color Stability:**

LED color temperature is warranted to shift no more than 200K in CCT over a 5-year period

**Color Uniformity:**

RAB's range of CCT (Correlated Color Temperature) follows the guidelines of the American National Standard for Specifications for the Chromaticity of Solid State Lighting (SSL) Products, ANSI C78.377-2017.

**Other**

**Warranty:**

RAB warrants that our LED products will be free from defects in materials and workmanship for a period of five (5) years from the date of delivery to the end user, including coverage of light output, color stability, driver performance and fixture finish. RAB's warranty is subject to all terms and conditions found at [rablighting.com/warranty](http://rablighting.com/warranty).

**Equivalency:**

Equivalent to 175W Metal Halide

**Buy American Act Compliance:**

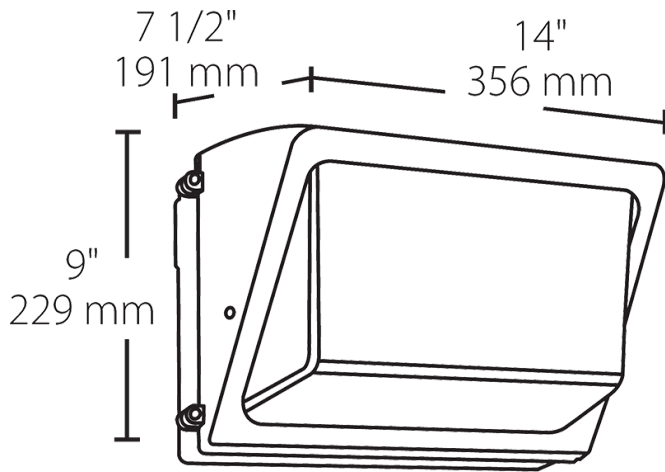
RAB values USA manufacturing! Upon request, RAB may be able to manufacture this product to be compliant with the Buy American Act (BAA). Please contact customer service to request a quote for the product to be made BAA compliant.

**Electrical**

**Driver:**

Constant Current, Class 2, 450mA, 50/60 Hz. 100 - 277V, 4kV surge protection

**Dimensions**



**Features**

- Covers footprint of traditional HID wall packs
- WP2LED replaces up to 175W MH
- 100,000-Hour LED lifespan

**Ordering Matrix**

Family	Wattage	Color Temp	Finish	Driver Options	Options
WP2LED	37				
	24 = 24W 37 = 37W	Blank = 5000K (Cool) N = 4000K (Neutral) Y = 3000K (Warm)	Blank = Bronze W = White	Blank = 120-277V /480 = 480V	/PC = 120V Button /PCS = 120V Swivel /PC2 = 277V Button /PCS2 = 277V Swivel /PCS4 = 480V Swivel /LC = Lightcloud® Controller Blank = No Option