

Project:	Type:	Prepared By:	Date:
-----------------	--------------	---------------------	--------------



Features and Benefits

Replacement for conventional fluorescent T8 and T12 linear tubes

Integral Driver enables lamp to be wired directly to line voltage without need for an external driver or ballast

Double ended wiring method

Works with non-shunted sockets AND shunted sockets.

Approximately 50% more energy efficient when compared to Fluorescent T8 lamps

50,000 hour Lifespan.

Rated for use in enclosed and open fixtures in dry or damp locations

Diffused frosted lens will maintain the same light quality over time

Instant on full brightness

Environmentally friendly, no mercury used

NSF Listed: NSF/ANSI Standard 2 - Food Equipment - Splash Zone (Not for Direct Food Zone without additional fixture considerations)

Internal thermal fuse for added safety

Emergency back up available. Catalog Numbers: DRI-5-EMGR-T8, DRI-10-EMGR-TYPE B

Technical Specifications		
Performance	L70 Lifespan:	For Use Outdoors in Open Fixtures:
Product Type:	50,000 Hours	No
Linear	Dimmable:	Construction
Input Wattage:	No	Bulb Shape:
17W	Technical Specifications	T8
Typical Lumen Output:	Material:	Base Type:
2200	Glass	G13
Efficacy:	Nominal Length:	Beam Angle:
150 lm/W	4FT	240°
Color Temperature:	Finish:	Other
4000K Cool White	Frosted	Equivalency:
CRI:	For Use in Emergency Fixtures:	32W Fluorescent
82	No	

Technical Specifications (continued)

Other

Warranty (Years):

RAB warrants that our LED products will be free from defects in materials and workmanship for a period of five (5) years from the date of delivery to the end user, including coverage of light output, color stability, driver performance and fixture finish. RAB's warranty is subject to all terms and conditions found at rablighting.com/warranty.

Electrical

Power Factor:

0.9

Operating Temperature:

-20°C - 45°C

Input Voltage:

120-277V

Operating Frequency:

50 / 60 Hz

Installation

Installation Type:

Type B, Double Ended wiring

Electrical Characteristics

THDi:

<20%

Compliance

UL Recognized:

Yes

UL Classified:

Yes

NSF Listed:

Meets NSF/ANSI standards for use in Food Zone (non-contact), Splash, and Non-Food Zones. Tube guard required in open fixtures.

DLC Listed:

This product is on the Design Lights Consortium (DLC) Qualified Products List and is eligible for rebates from DLC Member Utilities.

DLC Model Number:

T8-17-48G-840-DE-BYP

DLC Product Code:

PLCBLRMU

CEC Status:

Lawful for sale in California

Application:

Suitable for damp locations and totally enclosed fixtures.

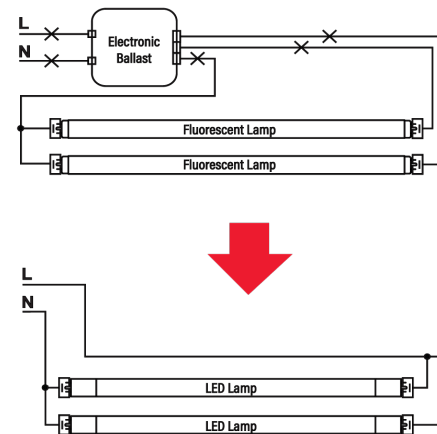
Minimum Compartment Size

Length x Width x Height [in]	Lamp Quantity
47.8 x 23.8 x 3.0	4

Case and Pallet Dimensions

	QTY	LENGTH (in)	WIDTH (in)	HEIGHT (in)
CASE	25	48.8	5.9	5.9
PALLET	1200	49.2	39.4	46.1

Wiring Diagram



Dimension

