



Now, more is less. Economical retrofit downlights with more to offer. Available in standard or adjustable heads.

Color: White

Weight: 0.7 lbs

**Project:**

**Type:**

**Prepared By:**

**Date:**

### Driver Info

Type	Constant Current
120V	0.093A
208V	N/A
240V	N/A
277V	N/A
Input Watts	10.80W

### LED Info

Watts	11W
Color Temp	3000K (Warm)
Color Accuracy	89 CRI
L70 Lifespan	50,000 Hours
Lumens	705
Efficacy	65.3 lm/W

## Technical Specifications

### Listings

#### UL Classified:

Suitable for damp locations

#### ENERGY STAR V2.0:

This product is ENERGY STAR® Version 2.0 Certified.

#### IESNA LM-79 & IESNA LM-80 Testing:

RAB LED luminaires and LED components have been tested by an independent laboratory in accordance with IESNA LM-79 and LM-80.

#### CEC Status:

Not lawful for sale in California

### Electrical

#### Driver:

Constant Current, Class 2, 50/60 Hz, 120V: 0.093A

#### THD:

26.9% at 120V

#### Power Factor:

95.7% at 120V

#### Dimming:

TRIAC and ELV dimming compatibility. [See dimmer compatibility guide here.](#)

### Construction

#### Ambient Temperature:

-20°C to 40°C

#### Housing:

Precision, die-cast aluminum

#### Installation:

Friction blades for secure installation

#### Socket Adapter:

Edison 26 Medium Base Socket adapter included in box

#### Lens:

Frosted acrylic lens

#### Finish:

Chip and fade-resistant polyester powder coat finish

## Technical Specifications (continued)

### Construction

#### Green Technology:

Mercury and UV free. RoHS-compliant components.

#### LED Characteristics

#### LEDs:

Multi-chip, high-output, long-life LEDs

### Performance

#### Lifespan:

50,000-Hour LED lifespan based on IES LM-80 results and TM-21 calculations

#### Optical

#### Adjustable Range:

38° range

### Other

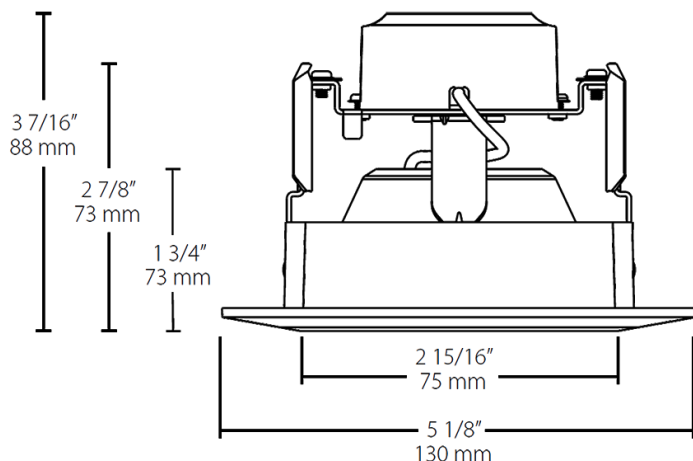
#### Warranty:

RAB warrants that our LED products will be free from defects in materials and workmanship for a period of five (5) years from the date of delivery to the end user, including coverage of light output, color stability, driver performance and fixture finish. RAB's warranty is subject to all terms and conditions found at [rablighting.com/warranty](http://rablighting.com/warranty).

#### Buy American Act Compliance:

RAB values USA manufacturing! Upon request, RAB may be able to manufacture this product to be compliant with the Buy American Act (BAA). Please contact customer service to request a quote for the product to be made BAA compliant.

## Dimensions



## Features

- Superior thermal management with heat-dissipating fins
- Specification-grade 90 CRI standard
- Edison E26 Medium Base socket adapter included
- 5-Year, No-Compromise Warranty

## Ordering Matrix

Family	Size	Shape	Wattage	Color Temp
DLED	4	AR	11	Y
	6 = 6"	R = Round	9 = 9W	YN = 3500K (Warm Neutral)
	4 = 4"	AR = Adjustable Round	11 = 11W	Y = 3000K (Warm)
			14 = 14W	YY = 2700K (Residential Warm)