

LIQUIDTIGHT

Malleable Liquidtight Fittings - Non-Insulated and Insulated



Features

- Tapered threaded male hub - NPT
- Compact, slim diameter
- Steel locknut
- Liquidtight/Raintight/Oiltight/Concrete tight
- Suitable for wet locations
- Long ferrule prevents pullout & tight bend conduit pop out
- RoHS compliant

Standard Materials

- Malleable iron
- Nylon
- Steel ferrule
- Steel locknut

Standard Finish

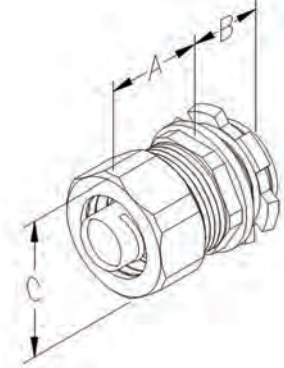
- Zinc plated

Applicable Third Party Standards

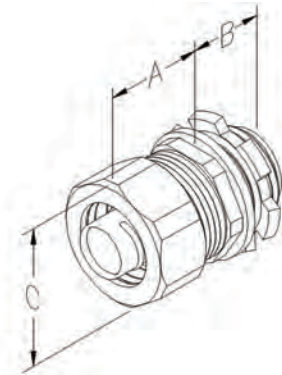
- UL Standard: 514B
- Fed. Spec. W-F-408E
- NEMA: FB-1
- UL Listed File # E207875



Non-Insulated



Insulated



CATALOG NUMBER	TRADE SIZE	DIM A	DIM B	DIM C	INNER PACK	MASTER PACK	WEIGHT PER C
Non-Insulated							
LT38KON	3/8"	0.940	0.560	1.190	25	250	15.4
LT50KON	1/2"	0.940	0.630	1.310	25	250	17.6
LT75KON	3/4"	1.060	0.560	1.560	20	200	28.7
LT100KON	1"	1.130	0.690	1.880	10	100	39.7
LT125KON	1-1/4"	1.250	0.690	2.250	5	50	55.1
LT150KON	1-1/2"	1.380	0.690	2.500	4	40	70.5
LT200KON	2"	1.440	0.750	3.000	3	30	99.2
LT250KON	2-1/2"	2.190	1.060	4.060	–	5	363.8
LT300KON	3"	2.500	1.130	4.880	–	5	456.4
LT350KON	3-1/2"	2.690	1.190	5.440	–	5	668.0
LT400KON	4"	3.000	1.250	6.060	–	5	789.2
Insulated							
LT38-ICKON	3/8"	0.938	0.625	1.188	25	250	15.6
LT50-ICKON	1/2"	0.938	0.625	1.313	25	250	17.8
LT75-ICKON	3/4"	1.063	0.625	1.563	20	200	28.9
LT100-ICKON	1"	1.125	0.750	1.875	10	100	40.1
LT125-ICKON	1-1/4"	1.250	0.750	2.250	5	50	55.7
LT150-ICKON	1-1/2"	1.375	0.750	2.500	4	40	71.2
LT200-ICKON	2"	1.438	0.813	3.000	3	30	100.2
LT250-ICKON	2-1/2"	2.188	1.063	4.063	–	5	367.4
LT300-ICKON	3"	2.500	1.250	4.875	–	5	460.9
LT350-ICKON	3-1/2"	2.688	1.313	5.438	–	5	674.7
LT400-ICKON	4"	3.000	1.375	6.063	–	5	797.1

Sizes available up to 6"

LIQUIDTIGHT

Malleable Liquidtight Fittings - Non-Insulated and Insulated with Aluminum Grounding Lug



Features

- Tapered threaded male hub - NPT
- Compact, slim diameter
- Steel locknut
- Liquidtight/Raintight/Oiltight/Concrete tight
- Suitable for wet locations
- Long ferrule prevents pullout & tight bend conduit pop out
- RoHS compliant

Standard Materials

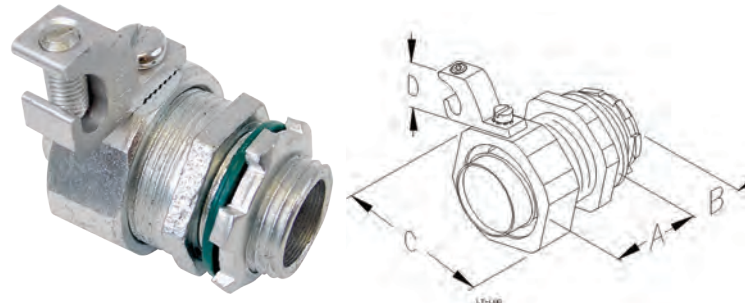
- Lug - Aluminum
- Malleable iron
- Nylon
- Steel ferrule
- Steel locknut

Standard Finish

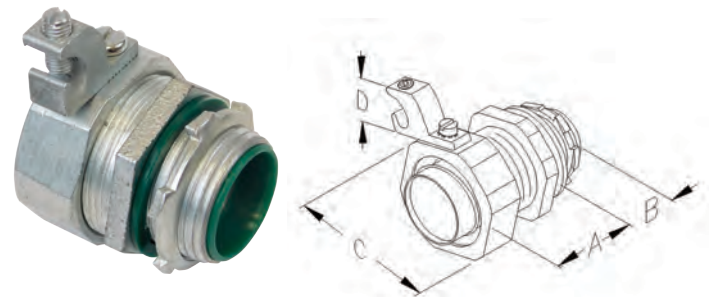
- Zinc plated

Applicable Third Party Standards

- UL Standard: 514B
- Fed. Spec. W-F-408E
- NEMA: FB-1
- UL Listed File # E212551



Non-Insulated



Insulated

LIQUIDTIGHT

CATALOG NUMBER	TRADE SIZE	LUG SIZE	DIM A	DIM B	DIM C	DIM D	MASTER PACK	WEIGHT PER C
Non-Insulated								
LT38ALKON	3/8"	4-14	0.940	0.560	1.190	0.750	25	15.4
LT50ALKON	1/2"	4-14	0.940	0.630	1.310	0.750	25	17.6
LT75ALKON	3/4"	4-14	1.060	0.560	1.560	0.750	10	28.7
LT100ALKON	1"	4-14	1.130	0.690	1.880	0.750	10	39.7
LT125ALKON	1-1/4"	4-14	1.250	0.690	2.250	0.750	5	55.1
LT150ALKON	1-1/2"	4-14	1.380	0.690	2.500	0.750	2	70.5
LT200ALKON	2"	4-14	1.440	0.750	3.000	0.750	1	99.2
LT250ALKON	2-1/2"	1/0-8	2.190	1.060	4.060	1.125	1	363.8
LT300ALKON	3"	1/0-8	2.500	1.130	4.880	1.125	1	456.4
LT350ALKON	3-1/2"	3/0-6	2.690	1.190	5.440	1.500	1	668.0
LT400ALKON	4"	3/0-6	3.000	1.250	6.060	1.500	1	789.2
Insulated								
LT38AL-ICKON	3/8"	4-14	0.938	0.625	1.188	0.750	25	17.6
LT50AL-ICKON	1/2"	4-14	0.938	0.625	1.375	0.750	25	19.8
LT75AL-ICKON	3/4"	4-14	1.063	0.625	1.563	0.750	10	30.9
LT100AL-ICKON	1"	4-14	1.125	0.750	1.875	0.750	10	41.9
LT125AL-ICKON	1-1/4"	4-14	1.250	0.750	2.250	0.750	5	57.3
LT150AL-ICKON	1-1/2"	4-14	1.750	0.750	2.500	0.750	2	72.8
LT200AL-ICKON	2"	4-14	1.438	0.750	3.000	0.750	1	101.4
LT250AL-ICKON	2-1/2"	1/0-8	2.188	1.063	4.063	1.125	1	372.6
LT300AL-ICKON	3"	1/0-8	2.500	1.250	4.875	1.125	1	465.2
LT350AL-ICKON	3-1/2"	3/0-6	2.688	1.313	5.438	1.500	1	685.6
LT400AL-ICKON	4"	3/0-6	3.000	1.375	6.063	1.500	1	806.9

LIQUIDTIGHT

Malleable Liquidtight Fittings - Insulated with Copper Grounding Lug for use with Liquidtight Flexible Metallic Conduit • Malleable Iron



Features

- Tapered threaded male hub - NPT
- Compact, slim diameter
- Steel locknut
- Liquidtight/Raintight/Oiltight/Concrete tight
- Suitable for wet locations
- Long ferrule prevents pullout & tight bend conduit pop out
- RoHS compliant

Standard Materials

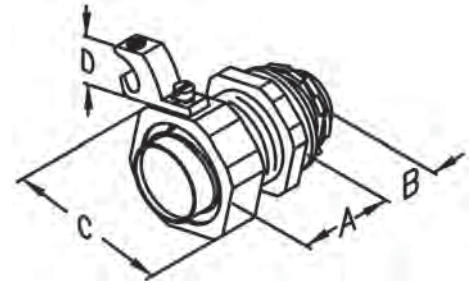
- Lug - Copper
- Malleable iron
- Nylon
- Steel ferrule
- Steel locknut

Standard Finish

Zinc plated

Applicable Third Party Standards

- UL Standard: 514B
- UL Standard: 467
- Fed. Spec. W-F-408E
- NEMA: FB-1
- UL Listed File # E212551



Insulated

CATALOG NUMBER	TRADE SIZE	LUG SIZE	DIM A	DIM B	DIM C	DIM D	MASTER PACK	WEIGHT PER C
Insulated								
LT38CL-ICKON	3/8"	4-14	0.94	0.63	1.38	0.75	25	17.6
LT50CL-ICKON	1/2"	4-14	0.94	0.63	1.31	0.75	25	19.8
LT75CL-ICKON	3/4"	4-14	1.06	0.63	1.56	0.75	25	30.9
LT100CL-ICKON	1"	4-14	1.13	0.75	1.88	0.75	5	41.9
LT125CL-ICKON	1-1/4"	4-14	1.25	0.75	2.25	0.75	5	57.3
LT150CL-ICKON	1-1/2"	4-14	1.19	0.75	2.50	0.75	2	72.8
LT200CL-ICKON	2"	4-14	1.44	0.81	3.00	0.75	1	101.4
LT250CL-ICKON	2-1/2"	1/0-8	2.19	1.06	4.06	1.13	1	372.6
LT300CL-ICKON	3"	1/0-8	2.50	1.25	4.88	1.13	1	465.2
LT350CL-ICKON	3-1/2"	3/0-6	2.69	1.31	5.44	1.50	1	685.6
LT400CL-ICKON	4"	3/0-6	3.00	1.38	6.06	1.50	1	806.9