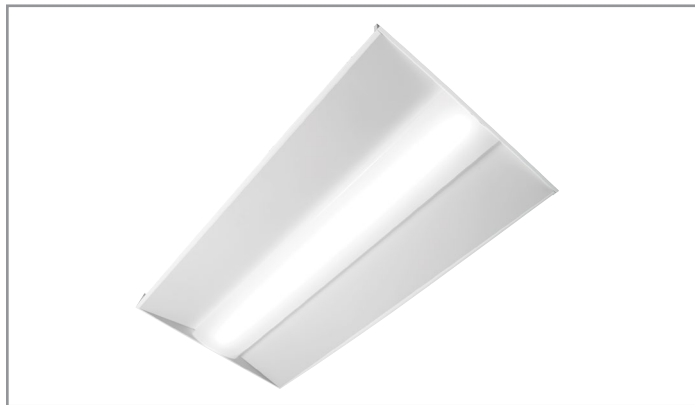


Project		Catalog #		Type	
Prepared by		Notes		Date	



Metalux

24RTC

2' x 4' LED Troffer
General Recessed LED Troffer
For Use in Insulated Ceilings

Typical Applications

- Commercial Office Spaces • Schools • Healthcare
- Retail Merchandising Areas

Interactive Menu

- Order Information [page 2](#)
- Photometric Data [page 3](#)
- Control Solutions [page 3](#)
- Connected Systems [page 3](#)
- Product Warranty

Top Product Features

- Shallow plenum - under 2.5" deep RTC fits the most challenging spaces
- Standard and high lumen models up to 7000 lumens
- Up to 133 lumens per watt delivering up to 56% energy savings
- Stock and MTO SKU available in 3500K and 4000K
- UNV driver and 0-10V dimming standard

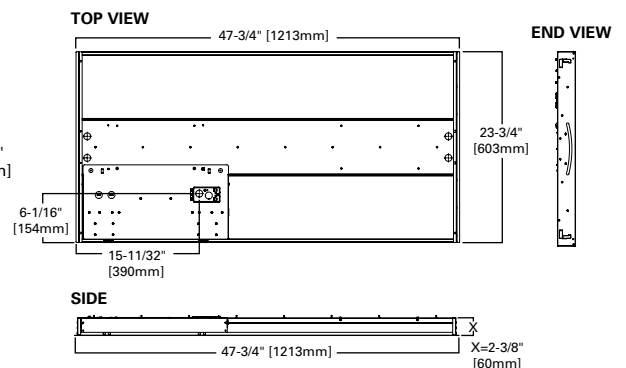
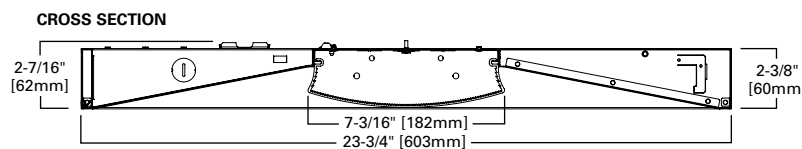
Product Certification



Product Features



Dimensional and Mounting Details



Stock SKU and Rated Performance

Catalog Number	UPC	CRI (Min)	CCT	Delivered Nominal Lumens *	Watts **	Efficacy (lm/W)	Input current (A)	
							120V	277V
24RTC4835	080083802623	80	3500K	4921	38.2	129	.32	.14
24RTC4840	080083802630	80	4000K	4922	37.8	130		
24RTC6835	080083802647	80	3500K	7220	57.0	127	.49	.22
24RTC6840	080083802654	80	4000K	7195	57.1	126		

* Lumens without sensor. Reduce lumens by 2% with sensors and battery pack installed.

** Watts of standard 0-10V product.

Order Information

SAMPLE ORDER NUMBER: **24RTC-48-UNV-EL7W-L840-HCD-SWPD1-U**

Size	Series	Lumen	Voltage	Options	Emergency	Factory Wiring
24=2' x 4'	RTC=Recessed Center Lensed Troffer	48=4800 Lumens 68=6800 Lumens	UNV=Universal Voltage 120-277 347=347 Volt ⁽²⁾	GL=Single Element Fuse GM=Double Element Fuse	EL7W=7-watt, 120V-277V emergency battery pack installed ⁽³⁾ EL14W=14-watt 120V-277V emergency battery pack installed ⁽³⁾ GTR2=Bodine Generator Transfer Relay ⁽⁴⁾ ETRD=Emergency Transfer Relay with dimming control ⁽⁴⁾	[Blank]=No Flex A3/8-4/18GDIM=3/8" Flex with 0-10V Dimming Leads A3/8-2/18G=3/8" Flex with line and common A3/8-5/18GDIM=Flex with 0-10V Dimming leads and Blue for alternate wiring See below for details.
	Notes (9) DesignLights Consortium® Qualified and classified for both DLC Standard and DLC Premium, refer to www.designlights.org for details.	Notes (5) Nominal lumen output. See table for actual values.	Notes (2) Available only with CD and HCD drivers.		Notes (3) With integral test switch/indicator/laser test. For approximate delivered lumens multiply the lumens per watt of the desired fixture by the wattage of the emergency battery pack (100 lm/W x 7=700 lumens). (4) Used to bypass local control during outage. Must be used in conjunction with UL 1008 device (provided by others). GTR2 option includes 2 relays on fixtures with dimming drivers. ETRD option only requires one relay when used on a dimming fixture.	Flexible Metal Conduit Options Flex options available for 0-10V dimming control, DALI dimming control, emergency and night light functions. 72-inch factory-installed and pre-wired to driver, fitted to luminaire housing access plate with 90° enclosed FMC connector. Not all options may be combined and installation ratings vary by type. A3/8-4/18GDIM series notes: Factory installed dimming option 3/8" flexible metal conduit with 2-#18 power and ground wires and 2-#18 UL-listed jacketed 0-10V +/- control wires. Meets UL 66, 83, 1479, 1569, 1581, 2556. NEC® 250.118, 300.22(C), 392, 396, 330, 501, 502, 503, 530, 504, 505, 518, 520, 530, 645, 72; Federal Specification A-A-59544 (formerly J-C-30B); all applicable OSHA and HUD Requirements. UL Classified 1, 2, and 3-hour through penetration with applicable fire stop product (not included). May be surface mounted, fished and/or embedded in plaster. Cable tray and approved raceway rated, install per NEC®; Environmental Air-Handling Space Installation per NEC® 300.22(C).

CRI/CCT	Driver Type	Sensor	Packaging	Accessories
L835=80 CRI/3500K L840=80 CRI/4000K	CD=0-10V Dimming Driver (10% - 100% Dimming) HCD=0-10V Dimming Driver (1% - 100% Dimming) SD=Step-Dim Driver SLTD=Fifth Light DALI Driver (10% - 100% Dimming) SR=Sensor Ready (5% - 100% Dimming) L5=Lutron 5 Series (LDE5) ⁽⁸⁾ LH=Lutron with Soft On, Fade to Black (LDE1) ⁽⁸⁾	[Blank]=No Sensor WAA=WaveLinX Wireless Integrated Sensor ^(A) SVPD1=0-10V Stand-alone Integrated Sensor ^(D)	U=Unit carton PALC=Palletized with carton	RTCEQ=EQ Grid Clip ^{(1),(7)} DF-24W-U=2' x 4' Drywall Frame Kit SK-24-WT=2' x 4' Tall Surface Mount Kit ISHH-01=Programming Remote for SVPD1 Integrated Sensor ISHH-02=Personal Control Remote for SVPD1 Integrated Sensor 24RTCRLENS=2' x 4' Replacement Lens (full) 24RTCRLENSLOT=2' x 4' Replacement Lens (with sensor)
	Notes (8) Refer to Lutron supplement (PS519148EN) on website. Must use UNV voltage option.	Notes Integrated options must be used in conjunction with the associated system and may not be compatible with other options or accessories. Please refer to the following: (A) Consult WaveLinX system pages for additional details and compatibility. (D) Consult SVPD series system pages for additional details and compatibility.		Notes (1) An EQ Grid Clip is recommended for all 9/16" ceiling systems. (7) Order one set for every fixture (4 clips per kit).

Product Specifications

Construction

- 2-1/2" housing constructed of die-formed, code gauge cold rolled steel
- Full length die-formed stiffeners and unibody endplate for added strength
- Four auxiliary fixture end suspension points provided
- Wireway cover removable without tools
- Endplates provided with Grid-Lock feature for safety

Integrated Controls

- 0-10V dimming to 10% standard
- Optional 1% dimming is available
- WaveLinX wireless sensor compatible for connected and IoT capability
- SVPD sensor compatible for standalone
- functionality
- DALI 2.0, Lutron, and step-dimming available

LED and Light Engine

- LED's available in 3500K or 4000K at 80 CRI minimum
- TM21 life at 60,000 hours up to L75
- Drivers available in 120-277V and 347V
- 1% dimming available as well as alternate controls

Emergency Battery Options

- Optional 120-277V emergency battery available in 7W or 14W
- 90-minute backup period for code compliance
- Test switch with laser pointer and testing from floor feature for ease of use
- EZ Key feature prevents accidental discharge during construction
- Generator transfer options available

Finish

- Multistage, iron phosphate pretreatment
- 90% reflective, matte white enamel finish
- Full fixture housing painted after fabrication

Compliance

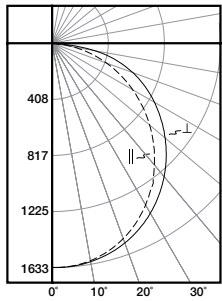
- IC rated for insulation contact
- cULus listed for damp locations
- RoHS compliant
- Tested to IESNA LM-79 and LM-80
- Stated life tested to TM21 standards
- Can be used for State of California Title 24 high efficacy luminaire
- NEMA 410 compliant

Warranty

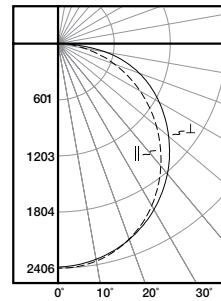
- Five-year warranty standard.

Photometric Data

[View IES files](#)



24RTC4835
 Electronic Driver
 Linear LED 3500K
 Spacing criterion: (H) 1.21 x mounting height,
 (L) 1.28 x mounting height
 Lumens: 4796.7
 Input Watts: 36.8W
 Efficacy: 130.3 lm/W
 Test Report: 24RTC4835.IES



24RTC6435
 Electronic Driver
 Linear LED 3500K
 Spacing criterion: (H) 1.22 x mounting height,
 (L) 1.28 x mounting height
 Lumens: 7063.2
 Input Watts: 55.1W
 Efficacy: 128.1 lm/W
 Test Report: 24RTC6435.IES

Energy and Performance Data

CCT Table

Approximate Color Temperature Multiplier	
3500K	1.0
4000K	1.02

Load Data

Thd	13%
Power Factor	0.96
Weight	13.6 lbs.
Low Temp Start	-20°C

Shipping Data

Size	Wt.	Pallet (30" x 53")
2x4	17.1 lbs.	13

Control Systems

- WaveLinx Wireless
- WaveLinx Wired
- WaveLinx Lite
- DLVP
- VividTune



Connected Systems
[CLICK HERE](#)