

DESCRIPTION

The APS-NS Series is a functional general-purpose narrow strip family that incorporates performance and construction durability. Designed with easy-to-use features, the APS-NS significantly reduces installation time. The APS-NS Series can be installed using various mounting methods.

The APS-NS Series can be the illumination solution in commercial, industrial, retail and residential applications. Fixtures can be used in storage/utility areas, coves, display cases, shops, task and general area lighting.

COOPER LIGHTING - ALLPRO®

Catalog #		Type
Project		
Comments		Date
Prepared by		

SPECIFICATION FEATURES

Construction

Channel is constructed die formed cold rolled steel with numerous KO's for ease of installation. Channel/wireway cover secured with quarter-turn fasteners. End plate quickly converts to channel connector for continuous row alignment.

Electrical*

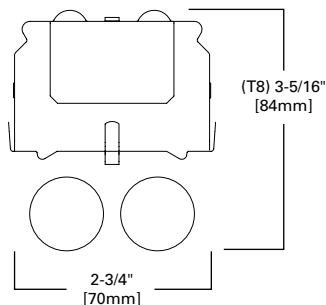
Equipped with a NEMA premium ballast on T8 versions. Rotor Lock lampholders. UL/CUL listed. Suitable for damp locations.

Finish

Baked white enamel finish.

Channel/Wireway Cover

Die formed code gauge steel. Tight fit for ease of maintenance. Easily removed without use of tools.



APS-NS

- 117, 125
- 132
- 217, 225
- 232

2', 3', 4' OR 8' STRIP
1, 2 OR 4 T8 LAMPS

Narrow Striplight

SHIPPING INFORMATION

Catalog Number	Product Description	Wattage	UPC
APS-NS117	24", 1 LAMP, T8, NARROW STRIPLIGHT	17W	080083622313
APS-NS217	24", 2 LAMP, T8, NARROW STRIPLIGHT	17W	080083622320
APS-NS125	36", 1 LAMP, T8, NARROW STRIPLIGHT	25W	080083622337
APS-NS225	36", 2 LAMP, T8, NARROW STRIPLIGHT	25W	080083622344
APS-NS132	48", 1 LAMP, T8, NARROW STRIPLIGHT	32W	080083622351
APS-NS232	48", 2 LAMP, T8, NARROW STRIPLIGHT	32W	080083622382
APS-8NS132	96", 2 LAMP, T8, NARROW STRIPLIGHT	32W	080083622368
APS-8NS232	96", 4 LAMP, T8, NARROW STRIPLIGHT	32W	080083622399

Catalog Number	WGT.	Pallet Qty.
APS-NS117	4.2	168
APS-NS217	4.2	168
APS-NS125	4.56	84
APS-NS225	4.56	84
APS-NS132	4.67	84
APS-NS232	4.67	84
APS-8NS132	9.34	126
APS-8NS232	9.34	126

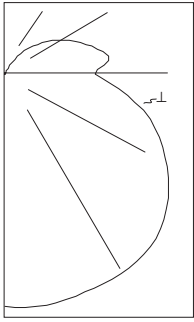
LAMPS CONTAIN MERCURY. DISPOSE ACCORDING TO LOCAL, STATE OR FEDERAL LAWS

LINEAR DISCONNECT

Safe and convenient means of disconnecting power.

*Reference the lamp/ballast data in themTechnical Section for specific lamp/ballast requirements. † One lamp only.

PHOTOMETRICS



APS-NS232
 Electronic Ballast
 Two F32T8/35K Lamps
 2800 Lumens
 Spacing criterion:
 (H) 1.2 x mounting
 height, (L) 1.5 x
 mounting height
 Efficiency 90.1%
 Test Report:
 APS-NS232.IES

Coefficients of Utilization

rc	Effective floor cavity reflectance								20%												
	80%				70%				50%				30%				10%				0%
rw	70	50	30	10	70	50	30	10	50	30	10	50	30	10	50	30	10	50	30	10	0
RCR																					
0	103	103	103	103	99	99	99	99	90	90	90	83	83	83	76	76	76	72	72	72	72
1	91	86	81	77	87	82	78	74	75	72	68	68	66	63	62	60	58	55	55	55	55
2	82	73	66	60	78	70	64	58	64	59	54	58	54	50	53	50	47	44	44	44	44
3	74	64	55	49	70	61	53	47	55	49	44	51	45	41	46	42	38	35	35	35	35
4	67	56	47	41	64	53	45	39	49	42	37	44	39	35	41	36	32	30	30	30	30
5	62	49	41	34	58	47	39	33	43	37	31	40	34	29	36	31	27	25	25	25	25
6	57	44	36	30	54	42	34	29	39	32	27	36	30	25	33	28	24	22	22	22	22
7	52	40	31	26	50	38	30	25	35	28	24	32	27	22	30	25	21	19	19	19	19
8	49	36	28	23	46	35	27	22	32	25	21	29	24	20	27	22	19	17	17	17	17
9	45	33	25	20	43	32	25	20	29	23	19	27	22	18	25	20	17	15	15	15	15
10	42	30	23	18	40	29	22	18	27	21	17	25	20	16	23	18	15	13	13	13	13

Zonal Lumen Summary

Zone	Lumens	%Lamp	%Fixture
0-30	805	14.4	16.0
0-40	1364	24.4	27.0
0-60	2638	47.1	52.3
0-90	4049	72.3	80.3
90-180	993	17.7	19.7
0-180	5043	90.1	100.0

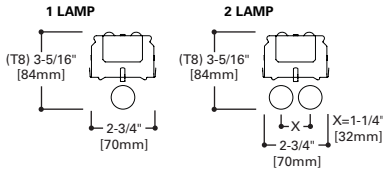
Luminance Data

Angle in Deg	Average 0-Deg cd/sm	Average 45-Deg cd/sm	Average 90-Deg fcd/sm
45	13624	17577	20140
55	12829	19375	22766
65	11676	22113	27282
75	9619	28523	36952
85	5173	56907	82706

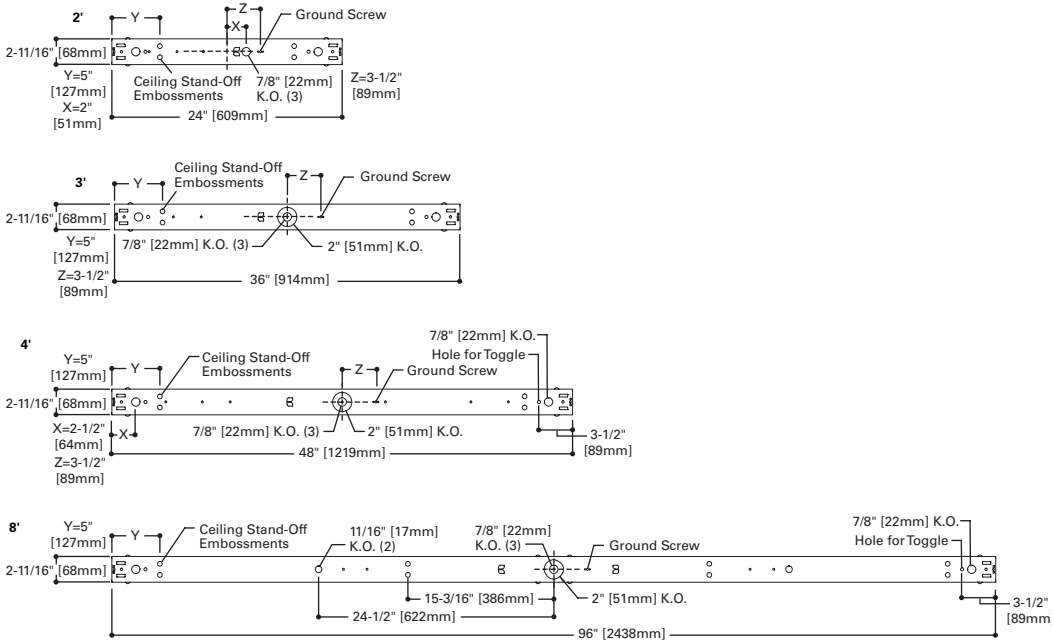
Candela

Angle	Along H	45°	Across L
0	989	989	989
10	974	986	991
20	924	958	989
30	835	918	995
40	716	868	982
50	572	797	921
60	413	689	829
70	248	563	715
80	92	412	566
90	1	272	420
100	1	304	490
110	0	240	410
120	1	179	325
130	1	121	235
140	2	66	149
150	2	18	69
160	3	2	9
170	3	2	0
180	2	2	2

LAMP CONFIGURATIONS



MOUNTING DATA



For complete product data, reference the Fluorescent Specification binder. Specifications & dimensions subject to change without notice. Consult your Cooper Lighting Representative for availability and ordering information.