

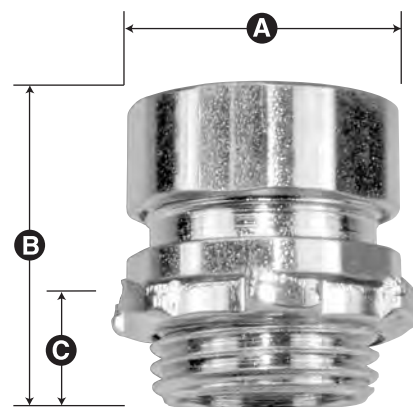


"The Diamond of the Industry"

EMT Connectors Compression Type

- For connecting & bonding electrical metallic tubing to a box or enclosure
- Concrete Tight 1/2" to 4"
- Screw Machined Steel, zinc plated
- 2-1/2" to 4" malleable iron

Cat. #	Size	Unit Ctn	Std Pkg	WT/ 100
EC750US	1/2"	50	250	8
EC751US	3/4"	25	250	12
EC752US	1"	20	100	19
EC753US	1-1/4"	5	50	30
EC754US	1-1/2"	5	25	46
EC755US	2"	5	25	55
EC756US	2-1/2"	-	5	242
EC757US	3"	-	3	307
EC758US	3-1/2"	-	3	390
EC759US	4"	-	2	492



With Insulated Throat

Cat. #	Size	Unit Ctn	Std Pkg	WT/ 100
EC750BUS	1/2"	50	250	8
EC751BUS	3/4"	25	250	12
EC752BUS	1"	20	100	19
EC753BUS	1-1/4"	5	50	30
EC754BUS	1-1/2"	5	25	46
EC755BUS	2"	5	25	55
EC756BUS	2-1/2"	-	5	242
EC757BUS	3"	-	3	307
EC758BUS	3-1/2"	-	3	390
EC759BUS	4"	-	2	492

Dimensional Table

Cat. #	A Diameter	B Length	C Length of Thread
EC750BUS	1.750	1.250	.406
EC751BUS	1.813	1.563	.406
EC752BUS	2.000	1.813	.406
EC753BUS	2.750	2.188	.500
EC754BUS	3.000	2.438	.500
EC755BUS	3.188	2.938	.688
EC756BUS	3.929	3.875	1.250
EC757BUS	4.650	4.000	1.375
EC758BUS	5.198	4.312	1.375
EC759BUS	5.750	4.50	1.500