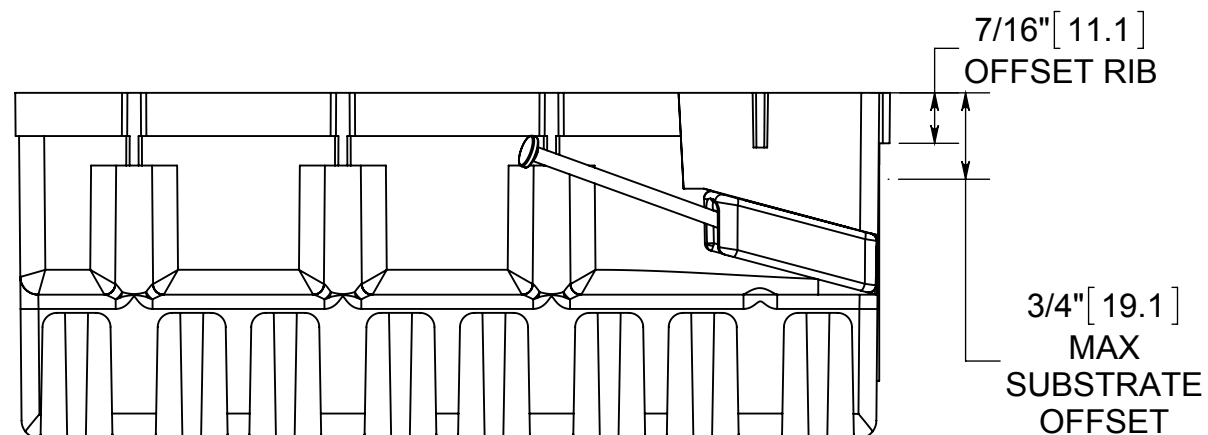
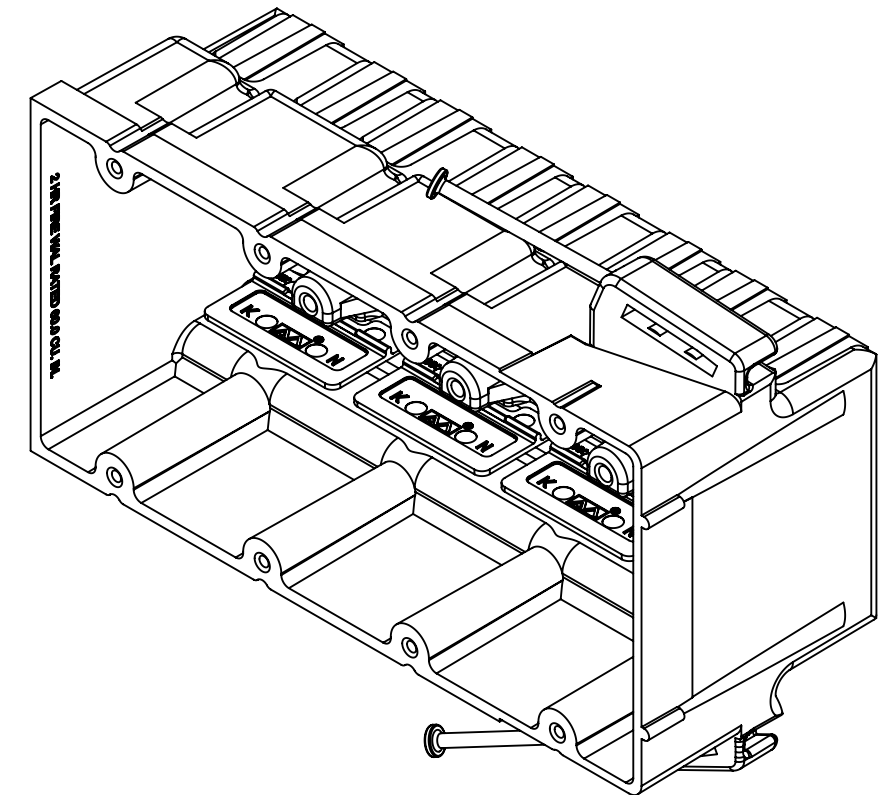
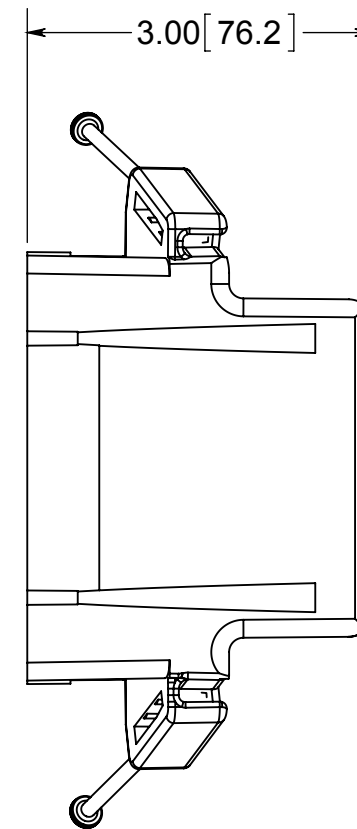
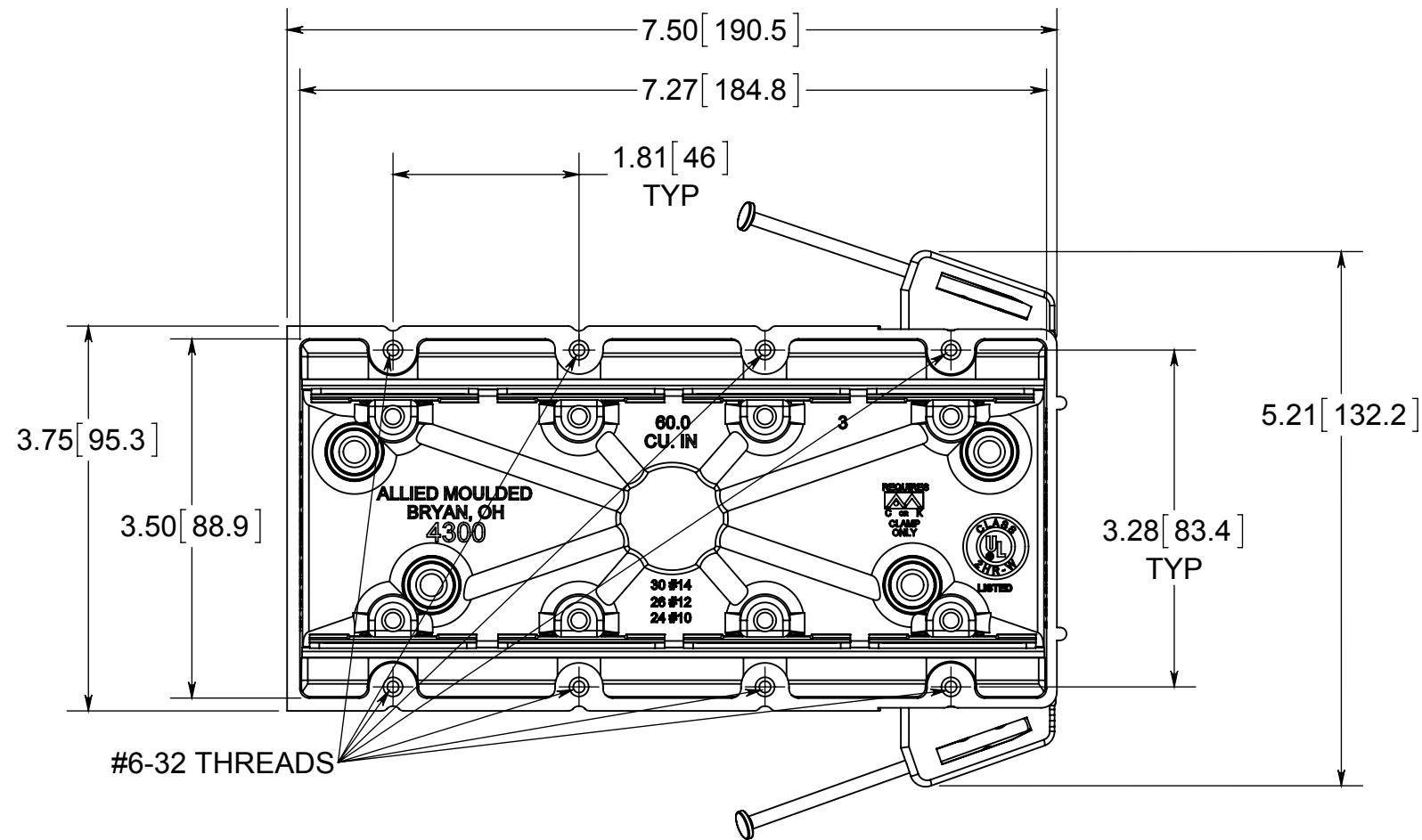


fiberglass BOX™

ISSUE DATE: 12/17/2014



NOTES:

- 1.) BOX MATERIAL: FIBERGLASS REINFORCED POLYESTER, NAIL MATERIAL: PLATED CARBON STEEL, SPEED KLAMP MATERIAL: PVC
- 2.) UL LISTED WITH 2 HOUR FIRE RATING FOR WALL
- 3.) 8 SPEED KLAMPS FACTORY INSTALLED



® **ALLIED MOULDED PRODUCTS**
BRYAN, OHIO

The Original Fiber Glass Outlet Box

PRODUCT SERIES

FOUR GANG 60.0 CU.IN.

Part No.

4300-NK

CONFIDENTIAL

THIS MATERIAL IS OWNED BY THE ALLIED MOULDED PRODUCTS COMPANY, IS DISCLOSED IN CONFIDENCE, AND IS NOT TO BE REPRODUCED OR DISTRIBUTED WITHOUT PRIOR WRITTEN PERMISSION FROM ALLIED MOULDED PRODUCTS.