

nsi

INDUSTRIES



TORK® POLARIS™ EASY-TWIST™
EASY-WRAP™ MINITERMS EASY-SPLICE™ EASY-TAP™ TORKALERT™



WHY
nsi
INDUSTRIES

Let Us
Clarify.

MINITERMS

SPLICING

EASY-TWIST™

CONNECTOR BLOKS™

TORK® PHOTOCONTROLS

TORK® DIGITAL

GROUNDING

CABLE TIES

CONNECTORS

TORK® MECHANICAL

We are service leaders with a 99.7% same-day ship rate from our main distribution center in Huntersville NC, and stocking representatives serving all regions of the US.

We engineer and manufacture innovation with recognized brands like Polaris™, Easy-Twist™ and TORK® Lighting controls.

We are flexible and responsive, recognized by our distributor partners for our customer service and have a strong representative sales force built on relationships.

We have a huge breadth of line of electrical products, boasting 16 deep product groups for all your electrical needs.

Why NSi? We have what you need to do your job daily, right here in this catalog. Take a look and see why so many distributors and contractors choose NSi.

POLARIS™

TABLE OF CONTENTS

PICTORIAL INDEX 1




CONNECTORS

Aluminum Dual Rated Single & Double Lugs	13
Aluminum Dual Rated Panelboard Lugs.....	15
Aluminum Dual Rated Stacked Lugs	19
Aluminum Dual Rated Splicer & Reducers	21
Aluminum Dual Rated Turn Prevent Lugs.....	23
Aluminum Dual Rated Lay-In & Dual Range Lugs	25
Aluminum Dual Rated Tap Connector & Covers	27
Aluminum Dual Rated Heavy Duty Transformer Lugs.....	29
Aluminum Dual Rated Transformer Lugs	31
Aluminum Dual Rated Transformer Connectors	33
Secondary Transformer Connectors	35
Transformer Stud Connectors.....	37
Aluminum Flexible Cable Sleeves Connectorsr	39
Copper Single Lugs – Cu Extruded & Tubular.....	41
Copper Single/Double Solderless Lugs.....	43
Copper & Bronze Terminal Lugs	45
Aluminum Dual Rated Parallel Groove Clamps.....	47
Wedge & Hot-Line Clamps & Service Entrance Connector	49
Aluminum One Hole Standard Barrel.....	51
Aluminum Two Hole Standard Barrel.....	53
Dual Rated Aluminum Splice.....	55
Bi-Metallic Pin Terminals.....	57
Dual Rated Pin Terminals	59
Dual Rated Wide Range Tap Connectros & Covers	61
Dual Rated Meter Socket Lugs.....	65
Dual Rated Insulated Service Entrance Sleeves	67
Long Barrel One Hole Copper Lugs	69
Long Barrel Copper Lugs Two Hole	73
Long Barrel Stacking Copper Lugs.....	79
Stacking Adapters For Compression Terminals	80
Short Barrel Copper Lugs One Hole With Peep Hole.....	81
Short Barrel Copper Lugs Two Hole With Peep Hole	85

Copper Splice Short Barrel	87
Copper Splice Long Barrel.....	89
For Flexible Copper Cable - One Hole Short Barrel.....	91
For Flexible Copper Cable - One Hole Long Barrel	93
For Flexible Copper Cable - Two Hole Long Barrel	95
For Flexible Copper Cable - Two Hole Short Barrel Peep Hole ..	97
For Flexible Cable - Copper Short Barrel	99
For Flexible Copper Cable - Two Hole Short Barrel No Peep ..	101
Copper Soldering Lugs	102
C-Taps	103
Copper Press-Ons	105
Copper Split Bolts 2 Wire	106
Copper Split Bolts 3 Wire	107
Copper Tin Plated Split Bolts.....	108
Aluminum Dual Rated Split Bolts.....	109
Service Post Connectors One-Wire Type	111
Service Post Connectors Two-Wire Type	112
Two-Bolt Bronze For Copper To Copper	113
Two-Bolt Bronze For Aluminum, Copper & Steel.....	114
Easy-Tap™ IPCS Series - Insulation Piercing Connectors.....	115
Connector Bloks™ Single Primary Multiple Secondary	
Connector Block Covers.....	117
Connector Bloks™ Multiple Primary Multiple Secondary	
Connector Block Covers.....	119
Connector Bloks™ Splice Reducer Primary Secondary	
Connector Block Covers	121
Terminal Bloks™ Double Row 9/16" Centers 600V	123
Terminal Bloks™ Hardware Options	124
Terminal Bloks™ Splicer & Reducers 75 Amps 600V	125
Rail Mounted Modular Terminal Block Hardware Options....	127
Insulated Terminal Blocks	129
Multiple Connectors Used In Neutral Assemblies And Grounding	
Applications	131

Copper Neutral Connectors	133	Polaris™ Heavy Duty Either Side Wire Entry	193
Combination Connectors	134	Polaris™ Multi-Conductor Blocks With Mounting Holes, One Side Wire Entry	195
Neutral 225 Amps 600VAC Connectors	135	Polaris™ Multi-Conductor Blocks With Mounting Holes, Either Side Wire Entry	197
Combination Connectors	137	Submersible Pedestal Connectors	201
Non-Metallic Splice & Tap	139	Submersible Connectors	203
Transformer Lug Kits – Mechanical Set-Screw Types	141	Heavy Duty Unisulated Blocks, Either Side Wire Entry	205
Tool and Die Charts for Copper & Aluminum Connectors	143	Uninsulated Multi Cable Connectors	207
TOOLS & HARDWARE		Polaris™ Custom Designed Connector Blocks	211
Hydraulic Compression Tool	155	Polaris™ Installation Instructions	213
Crimping Dies	156	SPlicing	
Hydraulic Die & Battery-Operated Die Type Crimping Tools	157	Easy-Splice Wrap-Around Gel Splice Kits	213
U-Type Compression Dies	158	Easy-Splice Wrap-Around UF Splice Kit	214
Mechanical Crimpers & Tools, Ratchet Drive Crimpers	159	Easy-Splice In-Line Gel Splice Kit With Connector	215
Manual & Ratchet-Drive Cable Cutters	160	Easy-Splice Gel Tap Splice Kit With Connector	216
Steel Fishtapes & Conduit Benders	161	Easy-Splice Gel Stub Splice Kit With Connector	217
Precision Wire Strippers & Insulated Miniterm Tool	162	Easy-Splice H-Tap Splice Covers With Connector	218
Electrician's Hand Tools	163	Easy-Splice Push-On Gel Stub Splice Kits	219
Electrical Multitesters – Analog & Digital	164	Easy-Splice Direct Burial Roll-On Splice Sleeve	220
Circuit & Receptacle Testers	165	Easy-Splice Direct Burial Splice Kit With Rubber Cover	221
Torque Wrenches, Screwdriver & Accessories	167	Easy-Splice Self Sealing UF Splice Kit & Hot Melt Sealant Sleeves	222
Silicon Bronze Bolts, Nuts, Washers, Lockwashers	168	Easy-Splice Direct Burial/Submersible Splice Kits With Heat Shrink	223
Stainless Steel Bolts, Nuts, Washers, Lockwashers	169	Easy-Splice Heat Shrinkable End Caps	224
Oxide Inhibitor & Duct Sealing Compound	170	Easy-Splice Heavy Wall Heat Shrink For Direct Burial and Submersible	225
POLARIS™		Easy-Splice Thin-Wall Heat Shrink Kits	227
Polaris Grey™ For Fine Stranded Wire	173	Easy-Splice Heavy Wall Heat Shrink	228
Polaris Grey™ Replacement Sleeves	173	Easy-Splice Thin-Wall Tubing	229
Polaris Blue™ For Direct Burial & Submersible	177	GROUNDING	
Polaris™ In-Line & Two-Wire	179	Heavy Duty Direct Burial With Lay-In Lugs	241
Polaris™ Splicer/Reducers	181		
Polaris™ Multi-Conductor One Side Wire Entry	183		
Polaris™ Multi-Conductor Either Side Wire Entry	187		
Polaris™ Multi-Cable Blocks Either Side Wire Entry	189		
Polaris™ Multi-Cable Stacked Either Side Wire Entry	191		

TABLE OF CONTENTS

Copper & Tin Plated Copper Lay-In Lugs	242	Ring Terminals Uninsulated.....	287
Heavy Duty Direct Burial Ground Clamps and Direct Burial For Rebar	243	Ring Terminals Nylon	289
Heavy Duty Direct Burial With Adapters	244	Male & Female Plugs Wire Tap and Pin Terminal, Male/Female Adapter.....	291
Bronze Ground Clamps & Heavy Duty Water Pipe Clamps ...	246	High Temperature Spade, Ring, Piggyback & Disconnect ...	293
Aluminum & Bronze Ground Clamps	247	Male Disconnects: Fully Insulated and Male/Female Adapter .	295
Heavy Duty & With 360° Adapters For Rigid Conduit	248	Female Disconnects: Piggyback, Sleeved Barrel & Fully Insulated	297
Rigid Conduit With Flexible Wire Strap	250	Female Flag & Fully Insulated Flag, Two-Way Receptacle ...	299
Economy & 360° Swing Type Hubs	251	Female Disconnects.....	301
Zinc Die Cast & Standard Duty Silicon Bronze Ground Clamps.....	252	Vinyl Insulated Miniterm Kit	303
Heavy Duty Silicon Bronze & Range Taking Rod Clamp	253	Push-On & Compressor (With Wire) Terminal Kit	307
Intersystem Bonding Connectors	254	Rocker Switches	309
Isolated Ground Bars	255	Rotary Switches & Miscellaneous.....	311
Heavy Duty For Parallel, 90° Copper Cable.....	256	Pushbutton Switches.....	313
Heavy Duty For Parallel, Two & Three Conductor.....	257	Toggle Switches: Maintained Contact Single Pole	316
"C" Taps.....	258	Toggle Switches: Maintined Contact Single & Double Pole....	317
Transformer Ground Clamps	259	Toggle Switches	319
Two-Way Baskets	260	Round Indicator Lights	320
Flexible Braid Jumper Straps & Ground Strap	261	Round & Snap-In Rectangular Indicator Lights.....	321
Grounding Pigtails (Solid and Stranded) & Grounding Clips ..	262	Indicator Lights and Emergency Stop Buttons.....	322
EASY-TWIST™ 		WIRE MANAGEMENT 	
Easy-Twist™ Standard Twist-On Wire Connectors	265	Easy-Wrap™ Premium Electrical Tape	325
Easy-Twist™ Winged Twist-On Wire Connectors	267	Easy-Wrap™ General Purpose & All-Weather Corrosion Tape	326
Easy-Twist™ Wire Connector Combination Pails	269	Easy-Wrap™ Rubber Splicing Tape, Harness Wrap & Duct Tape.....	327
Push-In Wire Connectors	271	Easy-Wrap™ Friction, Electrical Filler and Silicone Rubber Tape.....	328
Crimp Sleeve & Nylon Wire Connectors	273	Easy-Wrap™ High Voltage, Glass Cloth and Rubber Mastic Tape	329
MINITERMS & SWITCHES 		Slyder™ Wire Lubricant	330
Butt Splices.....	277	Standard (Natural) Cable Ties.....	331
Spade Terminals: Locking	279		
Spade Terminals Flange & Block	281		
Spade Terminals	283		
Ring Terminals Vinyl.....	285		

UV & Weather Resistant (Black) Cable Ties	333	FireStop814™ Residential & Commercial Caulk	371
Air Handling and Push Mount Cable Ties	335	FireBlock136™ Residential Fire Block	371
Tefzel, Marker Cable Ties	336	FireStop™ Pillows & Putty Pads	371
HVAC Standard and Weather Resistant Ties	337	FireStop™ Ratings & UL Systems	373
Releasable Cable Ties	338	LIGHTING	
Stainless Steel Ties	338	Wallpack LED 13W PC	383
Standard Cable Ties: Color	339	Small Wallpack LED 12W	384
Standard Cable Ties: Fluorescent	341	Wallpack LED 36W	385
Cable Ties Canister Packs	343	Wallpack LED 38W	386
Natural & Weather Resistant Mountable Ties	345	Wallpack LED 68W	387
Velcro Ties	346	Wallpack LED 77W	388
Cable Ties With Stainless Steel Barb	347	Medium LED 20W Flood Light	389
Cable Tie Installation Tools	349	Large LED 40W Flood Light	390
Cable Tie Adhesive Mounts	350	Security Light LED 35W	391
Push Mounts	351	Vaportite LED 13W Wall Mount	392
Polyethylene Nail Clips	352	Vaportite LED 13W Ceiling Mount	393
Nail-On Plastic Staples For Romex	353	Mini Wallpacks	396
Masonry Push Mounts	354	Compact Wallpacks	398
Adjustable Cable Clamps	354	Medium Wallpacks	400
Standard & Heavy Duty Nylon Cable Clamps	355	Large & Large Deep Wallpacks	403
Standard Slot Panel Channel	356	Fluorescent & Compact Floodlight	404
Narrow Finger, High Density Panel Channel	359	Low Profile Floodlight	407
Solid Wall Panel Channel and Floor Duct	361	Medium & Large Floodlight	408
Cable Marker Plates	362	1000 Watt Floodlight	409
Wire Marker Dispensers	362	Incandescent Floodlight	409
Roll Label Dispenser and Polyester Industrial Tapes	363	Quartz Floodlight With Lamp	410
Pocket Pal Marker Books	364	High Pressure Sodium Ballast Kits With Lamp	411
Easy Release Wire Marker Cards	365	Metal Halide Ballast Kits With Lamp	412
Voltage Markers	366	High Pressure Sodium Ballast Kits Only	413
Self-Adhesive Labels	367	Metal Halide Ballast Kits Only	414
Spiral Wrap	367	Twin Head Emergency Light	415
Detectable Underground Line & Barricade Tapes	368	Fixed Optics Emergency Light	415
FIRESTOP™		LED & Combo LED Incandescent Exit Light	416
FireStop™ Intumescent Caulk	371		

TABLE OF CONTENTS

Wet Location Emergency Light	417
Heavy Duty Emergency Light	418
Emergency Fluorescent Ballast	418
Entry Cylinder	419
5X8 Vandal Resistant Entry Light	419
Small & Large Vandal Resistant Light	420
Incandescent Loading Dock Lights	422
Short-Term Lighting System	425
Accessories	425
Box & Wall Vaportite	425
Fluorescent Undercabinet Lights	426
Heavy Duty Ground Stake	426

TORK® ENERGY CODE REFERENCE GUIDE & RESPONSIBLE ENERGY STATEMENT

Exterior and Interior Lighting Zones	429
--	-----

TORK® PHOTOCONTROLS

Quick Reference Guide & Features	433
2100 Series Spec Grade Die Cast Zinc Photocontrol	435
2110 Series Spec Grade Die Cast Aluminum Photocontrol	436
2000 Series Fixed Conduit Mount Photocontrol	437
2001 Series 180° Swivel Conduit Mount Photocontrol	438
2020 Series 180° Swivel Conduit Mount Photocontrol	439
3000 Series Flush Mount Photocontrol	440
5000M Series Utility Grade Delayed Response w/MOV	441
5400A Series 6000 Watt Contactors w/Turn-Lock Control	442
2005A Series Instant Response Turn-Lock Control	443
2005B Series Instant Response Turn-Lock Control	444
5200 Series Utility Grade Electronic Photocontrol	445
5200-UL Series Electronic Photo Control Listed for LED	446
5737 Series Photo-Timers	447
Photocontrol Turn-Lock Accessories	448

TORK® ELECTROMECHANICAL TIME SWITCHES

Quick Reference Guide & Features	451
--	-----

TU40 Series Universal Multi-Voltage 24-Hr Time Switch	453
1100 Series 24 Hr Time Switch	455
7000 Series 24 Hr Time Switch with Skip-a-Day	457
7000Z Series SunSet 24 Hr Time Switch with Skip-a-Day	459
8000 Series Duty Cycle 24 Hr Time Switch	461
8000 Series Repeating Variable Cycle 24 Hr Time Switch	463
WH2B 24 Hr Water Heater Timer	464
1800 Series Momentary Contact Time Switch	465
W Series 7 Day Time Switch	467
T900 Series 2 & 3 Circuit Lighting Control Centers	469
TW Series 7 Day Time Switch with Reserve Power	471
TZ Series SunSet Time Switch with Reserve Power	473

TORK® DIGITAL TIME SWITCHES

Quick Reference Guide	477
DT Series Automatic Voltage Detection 7 Day Time Switch	479
DT Series Water Heater Timer	479
EH20C Water Heater Timer with Summer Load Shed	481
SA300 Series Zip-Set™ Time Switch	483
E, E-PB Series 1 or 2 Channel 24 Hr Time Switch	485
EW Series 1 or 2 Channel 7 Day Time Switch	487
EWZ Series SunSet 1 or 2 Channel 7 Day Time Switch	489
DG100 Series 1 or 2 Channel 365/7 Day Time Switch	491
DW Series 1 or 2 Channel 365/7 Day Advance Time Switch	493
DTS Series 1, 2, 4 Channel 365/7 Day Advance Time Switch	495
DZS Series 1, 2, 4 Channel 365/7 Day SunSet Time Switch	497
DZM Series 365/7 Day SunSet Lighting Control Switch	499
LC200 Series 2-Zone Lighting Control Switch	501
DGU Series 7 Day Lighting Control Time Switch	503
DGLC Series 7 Day Lighting Control Time Switch	503
ELC Series 4, 8, 12 Zone Lighting Control Switch	505
DLC400BP 4 Zone Lighting Control Switch	507
LD Series Lighting Delay Time Switch	509
DGS Series Signaling Duty Cycle 24 Hr or 7 Day Time Switch	511

EJWT & E500T Series Delay, Interval, and Percentage Time Cycle Time Switches	513
PCT Series Panel Mount Cycle Time Switch	515
ACT30MA Series Adjustable Cycle Time Switch	516
DIN Series 1 or 2 Channel 7 Day Time Switch	517
SMC Series Momentary Contact Switches	519
5401 Series 40 Amp Contactors	520
HPS Starter	521
TORK® OCCUPANCY SENSORS 	
SENSOR TECHNOLOGY & PLACEMENT GUIDE	525
WOS, WOS-M, WOS-M2R, WOS-M2T Series	526
COS-L, COS-L2T, COS-LU, COS-M Series	530
HOS-M Series High Bay PIR Ceiling Mount Occupancy Sensors ..	534
CPS-L Series Ceiling Mount Photo Sensor	535
TRP-24 Series Intelligent Power Pack	536
TORK® IN-WALL TIME SWITCHES 	
Quick Reference Guide	539
SS700Z and SS721Z SunSet In-Wall Timer	541
SS720A	543
SS720Z Series	544
SA170 Series Zip-Set™ In-Wall Timer	545
701A & 711A Series 24 Hr In-Wall Time Switches	546
SS400 Series Digital Auto-Off In-Wall Timers	547
SS Series Auto-Off In-Wall Timer	549
D Series Electronic Auto-Off In-Wall Timer	550
A & C Series Springwound Auto-Off In-Wall Timers	551
TORK® PLUG-IN TIMERS 	
400 Series Indoor Mechanical Plug-In Timers	555
SA100 Series Indoor Mechanical Plug-In Timers	556
400 & SA100 Series Indoor Digital Plug-In Timers	557
SA200 & SA500 Series Wireless Remote Controls	558
600 & SA200 Series Outdoor Plug-In Mechanical Timers	559
600 & SA200 Series Outdoor Plug-In Digital Timers	560
SA200 Series Outdoor Plug-In Stake Timers	561
SA200 Series Outdoor Zip-Set™ Digital Timers	562
TORKALERT™ SIGNALING DEVICES 	
Mechanical & Strobe Horns	565
Muti-Tone Electronic Horns	566
Heavy Duty Bells	566
Light Duty and General Purpose Bells & Buzzer, Chimes & Chime Kits	567
Waterproof Motor Driven Siren & Manual Fire Alarm	568
Telephone Relay	569
Wall Clocks	570
Electric Door Openers	571
Push-Buttons	572
Warning Lights (Industrial)	573
Warning Lights (Vehicular)	574
Power Supply Units and Transformers	575
TorkAlert™ Accessories & Replacement Parts	576
TorkAlert™ Dimension Drawings	577
TORK® POOL & SPA CONTROLS 	
PP Panels Series with Time Switches	581
P1100 Series Electromechanical	583
PEW1100 Series Digital Controls	584
1100 Series Swimming Pool Time Switches	585
Pool & Spa Junction Boxes	586
Timer Mechanisms	586
DPC201 Series Digital 2-Speed Pump Timer	587
TPX Series	588
ENCLOSURES	
Electromechanical Mechanisms	589
ENCLOSURE DIMENSIONS	591
ALPHANUMERIC INDEX	595





CONNECTORS

MECHANICAL CONNECTORS

Aluminum Dual Rated Single & Double Lugs T SERIES



FEATURES

- Versatile and reusable set-screw connectors made of 6061T-6 aluminum alloy.
- Electro-tin plated for low contact resistance.
- For use with copper or aluminum conductors.

RATINGS



TEMPERATURE RATING:
90 °C.

VOLTAGE:
600V (2000V max. per UL486B).
UL 486A/B Listed.

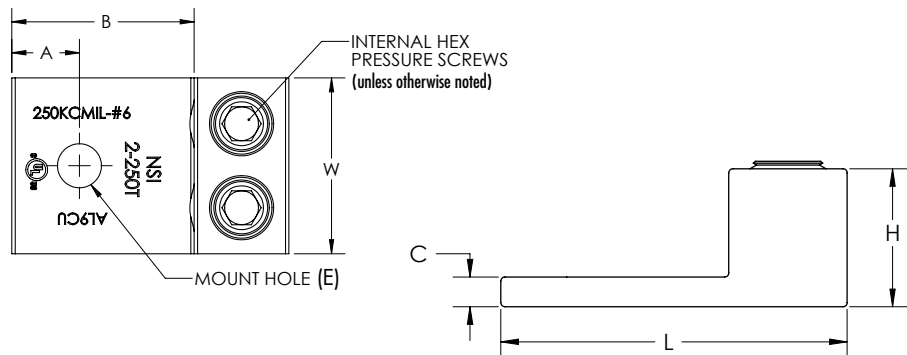


All dimensional data is listed in inches.

CAT. NO.	FIG. NO.	WIRE RANGE
6T	1	6-14 AWG
4T	1	4-14 AWG
2T	1	2-14 AWG
0T	2	1/0-14 AWG
2-0T	3	1/0-14 AWG
2/0T	2	2/0-14 AWG
2-2/0T	3	(2) 2/0-14 AWG
3/0T	2	3/0-6 AWG
250T	2	250 MCM-6 AWG
2-250T	3	(2) 250 MCM-6 AWG
300T	2	300 MCM - 6 AWG
350T	2	350 MCM-6 AWG
2-350T	3	(2) 350 MCM-6 AWG
500T	2	500 MCM - 4 AWG
600T	2	600 MCM-2 AWG
2-600T	3	(2) 600 MCM-2 AWG
800T	2	800-300 MCM
2-800T	3	(2) 800-300 MCM
1000T	2	1000-350 MCM
2-1000T	3	(2) 1000-350 MCM



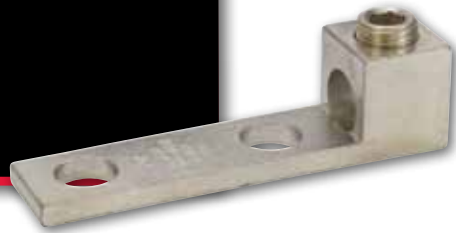
MTG. BOLT SIZE	TORQUE VALUE (IN./LBS.)	WRENCH SIZE	MTG. HOLE DIA.(E)	LENGTH (L)	WIDTH (W)	HEIGHT (H)	TANG LENGTH (A)	TANG LENGTH (B)	TANG THICKNESS (C)	STD. CTN. QTY.
1/4	45	Slotted	0.265	1.060	0.500	0.500	0.250	0.690	0.100	100
1/4	45	Slotted	0.265	1.060	0.375	0.500	0.250	0.690	0.094	100
1/4	50	Slotted	0.265	1.160	0.500	0.550	0.310	0.690	0.100	100
1/4	120	3/16	0.265	1.470	0.630	0.790	0.440	0.850	0.190	50
1/4	120	3/16	0.265	1.470	1.130	0.790	0.440	0.850	0.190	50
1/4	120	3/16	0.265	1.470	0.630	0.790	0.440	0.850	0.190	50
1/4	120	3/16	0.265	1.470	1.250	0.790	0.440	0.850	0.190	50
1/4	250	3/16	0.265	1.875	0.700	0.890	0.500	0.850	0.145	50
5/16	330	5/16	0.328	2.000	0.880	1.020	0.470	1.130	0.220	24
5/16	330	5/16	0.328	2.560	1.630	1.020	0.630	1.690	0.220	10
5/16	330	5/16	0.328	2.000	0.880	1.130	0.500	1.000	0.250	24
3/8	400	5/16	0.406	2.250	0.990	1.130	0.500	1.250	0.250	20
3/8	400	5/16	0.406	2.880	1.920	1.130	0.630	1.880	0.250	8
3/8	550	3/8	0.406	2.750	1.200	1.410	0.630	1.630	0.310	6
3/8	550	3/8	0.406	3.180	1.380	1.510	0.630	1.930	0.380	6
1/2	550	3/8	0.531	3.180	2.410	1.510	0.630	1.930	0.380	4
1/2	550	1/2	0.531	3.250	1.440	1.690	0.630	1.880	0.440	6
1/2	550	1/2	0.531	3.250	2.750	1.690	0.880	1.880	0.440	2
1/2	600	9/16	0.531	3.250	1.690	1.880	0.750	1.750	0.440	6
1/2	600	9/16	0.531	3.250	3.190	1.880	0.880	1.750	0.440	2



MECHANICAL CONNECTORS

Aluminum Dual Rated Panelboard Lugs

L SERIES



FEATURES

- Panelboard style for multi-conductor with NEMA mounting hole spacing for turn-prevent and secureness.
- Made of 6061T-6 aluminum alloy.
- Electro-tin plated for low contact resistance.
- For use with copper or aluminum conductors.

RATINGS

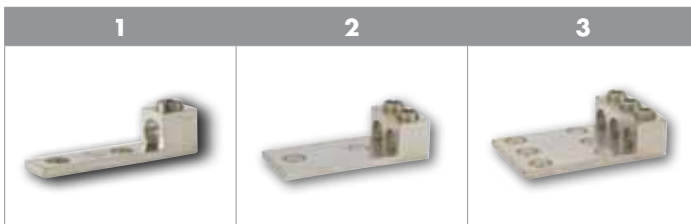


TEMPERATURE RATING:

90 °C.

VOLTAGE:

600V (2000V max. per UL486B).
UL 486A/B Listed.

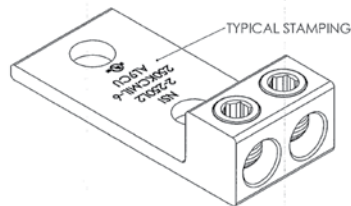
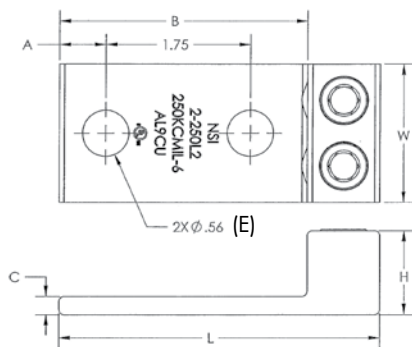


All dimensional data is listed in inches.
All hole spacing is NEMA Std of 1.750"

CAT. NO.	FIG. NO.	WIRE RANGE
250L2	1	250 MCM-6 AWG
2-250L2	2	(2) 250 MCM-6 AWG
3-250L2/L4	3	(3) 250 MCM-6 AWG
350L2	1	350 MCM-6 AWG
2-350L2	2	(2) 350 MCM-6 AWG
3-350L2/L4	3	(3) 350 MCM-6 AWG
600L2	1	600 MCM-2 AWG
2-600L2	2	(2) 600 MCM-2 AWG
3-600L2/L4	3	(3) 600 MCM-2 AWG
800L2	1	800-350 MCM
2-800L2	2	(2) 800-350 MCM
3-800L2/L4	3	(3) 800-350 MCM
1000L2	1	1000-500 MCM
2-1000L2	2	(2) 1000-500 MCM
3-1000L2/L4	3	(3) 1000-500 MCM



MTG. BOLT SIZE	TORQUE VALUE (IN./LBS.)	WRENCH SIZE	MTG. HOLE DIA. (E)	LENGTH (L)	WIDTH (W)	HEIGHT (H)	TANG LENGTH (A)	TANG LENGTH (B)	TANG THICKNESS (C)	STD. CTN. QTY.
1/2	330	5/16	0.560	4.310	0.880	1.380	0.560	3.090	0.310	15
1/2	330	5/16	0.560	3.880	1.690	1.020	0.560	3.010	0.220	6
1/2	330	5/16	0.560	3.880	2.500	1.020	0.560	3.010	0.220	3
1/2	400	5/16	0.560	4.310	0.990	1.380	0.630	3.090	0.310	8
1/2	400	5/16	0.560	4.250	1.920	1.130	0.630	3.250	0.250	4
1/2	400	5/16	0.560	4.250	2.920	1.130	0.630	3.250	0.250	2
1/2	550	3/8	0.560	4.650	1.380	1.510	0.630	3.400	0.380	4
1/2	550	3/8	0.560	4.650	2.406	1.510	0.630	3.400	0.380	3
1/2	550	3/8	0.560	4.650	3.930	1.510	0.630	3.400	0.380	2
1/2	550	1/2	0.560	4.750	1.440	1.690	0.630	3.380	0.440	4
1/2	550	1/2	0.560	4.750	2.750	1.690	0.630	3.380	0.440	2
1/2	550	1/2	0.560	4.750	4.060	1.690	0.630	3.380	0.440	2
1/2	600	9/16	0.560	4.940	1.690	1.880	0.630	3.440	0.440	4
1/2	600	1/2	0.560	4.940	3.190	1.880	0.630	3.440	0.440	2
1/2	600	9/16	0.560	4.940	4.690	1.880	0.630	3.440	0.440	2



MECHANICAL CONNECTORS

Aluminum Dual Rated Panelboard Lugs

L4, LL4, LL2 SERIES



FEATURES

- Large size set-screw connectors with multiple mounting hole for a secure, turn-prevent connection.
- Made of 6061T-6 aluminum alloy.
- Tin plated for low contact resistance.
- For use with copper or aluminum conductors.

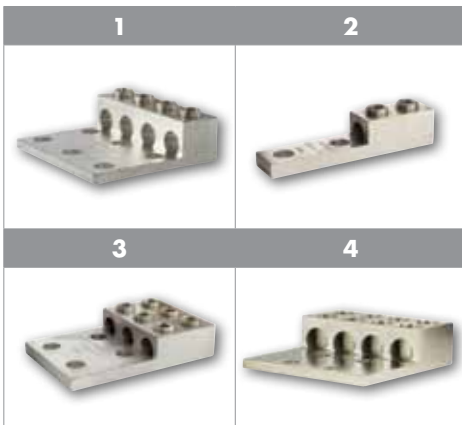
RATINGS



LISTED
WIRE CONNECTOR
E155027

TEMPERATURE RATING:
90 °C.

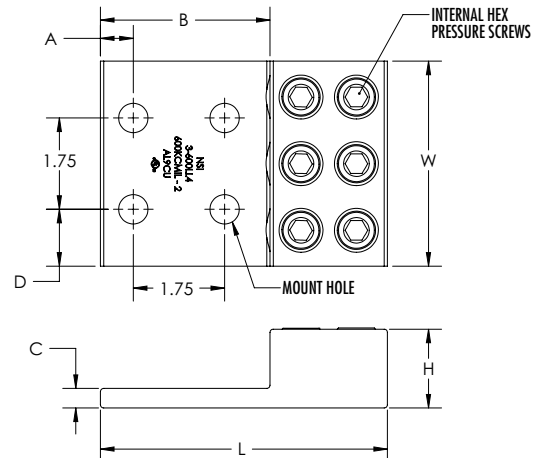
VOLTAGE:
600V (2000V max. per UL486B).
UL 486A/B Listed.



All dimensional data is listed in inches.
All hole spacing is NEMA Std of 1.750"

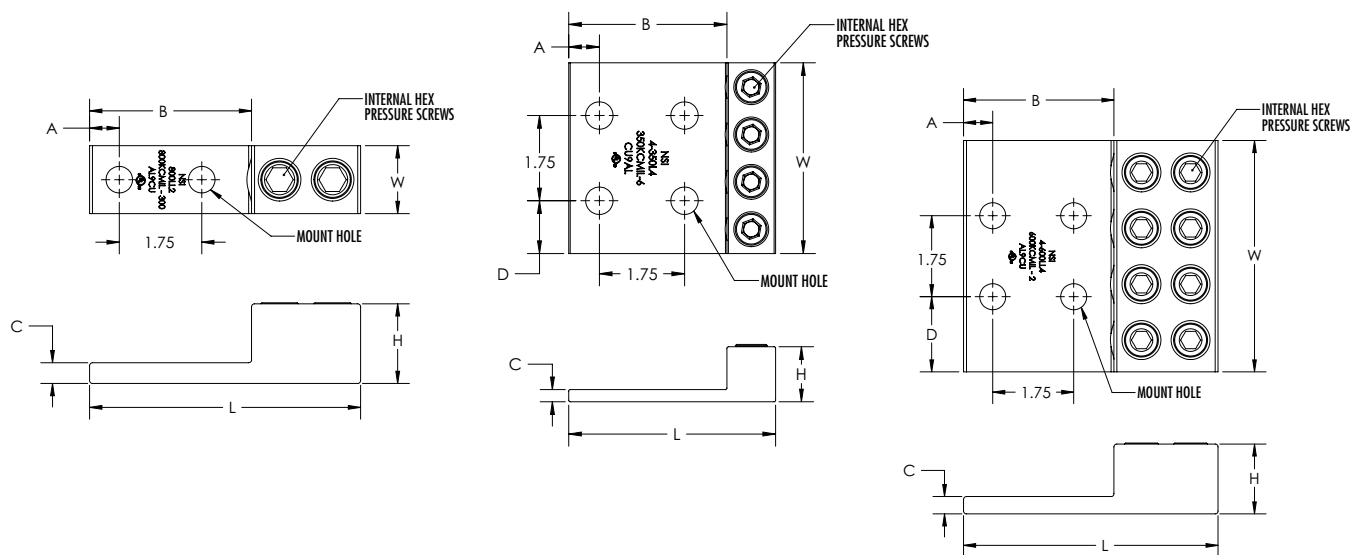
CAT. NO.	FIG. NO.	WIRE RANGE
4-250L4	1	250 MCM-6 AWG
4-350L4	1	350 MCM-6 AWG
4-600L4	1	600 MCM-2 AWG
600LL2	2	600 MCM-2 AWG
3-600LL4	3	600 MCM-2 AWG
4-600LL4	4	600 MCM-2 AWG
4-800L4	1	800-350 MCM
800LL2	2	800-350 MCM
3-800LL4	3	800-350 MCM
4-800LL4	4	800-350 MCM
4-1000L4	1	1000-500 MCM
1000LL2	2	1000-500 MCM
3-1000LL4	3	1000-500 MCM
4-1000LL4	4	1000-500 MCM
1500LL2*	2	1500-1000 MCM

*1500LL2 is not CSA or UL approved.





MTG. BOLT SIZE	TORQUE VALUE (IN./LBS.)	WRENCH SIZE	MTG. HOLE DIA. (E)	LENGTH (L)	WIDTH (W)	HEIGHT (H)	END OF CONN. TO CTR. HOLE (A)	TANG LENGTH (B)	TANG THICKNESS (C)	STD. CTN. QTY.
1/2	330	5/16	0.560	3.880	3.300	1.020	0.560	3.010	0.220	3
1/2	400	5/16	0.560	4.250	3.920	1.130	0.630	3.250	0.250	2
1/2	550	3/8	0.560	4.650	5.000	1.510	0.630	3.400	0.380	2
1/2	550	3/8	0.560	5.500	1.380	1.510	0.630	3.250	0.380	4
1/2	550	3/8	0.560	5.500	3.930	1.510	0.630	3.250	0.380	2
1/2	550	3/8	0.560	5.500	5.000	1.510	0.630	3.250	0.380	2
1/2	550	1/2	0.560	4.750	5.380	1.690	0.630	3.380	0.440	2
1/2	550	1/2	0.560	5.750	1.440	1.690	0.630	3.440	0.440	4
1/2	550	1/2	0.560	5.750	4.060	1.690	0.630	3.380	0.440	2
1/2	550	1/2	0.560	5.750	5.380	1.690	0.630	3.440	0.440	2
1/2	600	9/16	0.560	4.940	6.190	1.880	0.630	3.440	0.440	2
1/2	600	9/16	0.560	6.190	1.690	1.880	0.630	3.630	0.440	4
1/2	600	9/16	0.560	6.190	4.690	1.880	0.630	3.440	0.440	2
1/2	600	9/16	0.560	6.180	6.190	1.880	0.630	3.630	0.440	2
1/2	-	9/16	0.560	6.625	2.000	1.975	0.650	3.175	0.750	4



MECHANICAL CONNECTORS

Aluminum Dual Rated Stacked Lugs

T2 SERIES



FEATURES

- Large size set-screw connectors with wire holes stacked on top of each other to minimize the width of the connector.
- Made of 6061T-6 aluminum alloy.
- Electro-tin plated for low contact resistance.
- For use with copper or aluminum conductors.

All dimensional data is listed in inches.

CAT. NO.	FIG. NO.	WIRE RANGE
300T-2	1	(2) 300 MCM-6 AWG
350T-2	2	(2) 350 MCM-6 AWG
600T-2	2	(2) 600 MCM-2 AWG
600T-3	3	(3) 600 MCM-2 AWG
600T-4	4	(4) 600 MCM-2 AWG
800T-2	2	(2) 800-300 MCM
800T-3	3	(3) 800-300 MCM
800T-4	4	(4) 800-300 MCM

RATINGS



LISTED
WIRE CONNECTOR
E155027

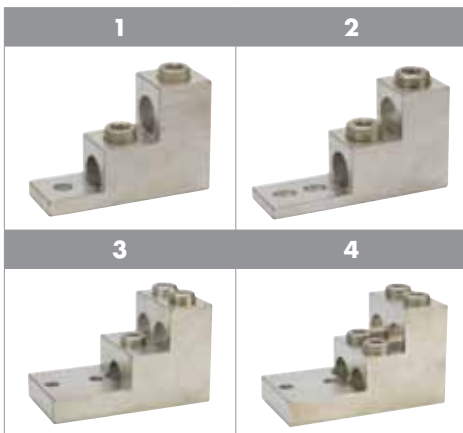
TEMPERATURE RATING:

90 °C.

VOLTAGE:

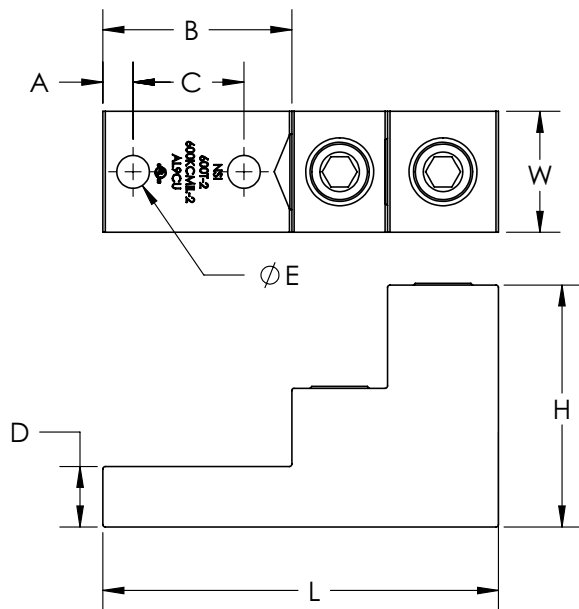
600V (2000V max. per UL486B).

UL 486A/B Listed.





MTG. BOLT SIZE	TORQUE VALUE (IN./LBS.)	WRENCH SIZE	MTG. HOLE DIA. (E)	LENGTH (L)	WIDTH (W)	HEIGHT (H)	END OF CONN. TO CTR. HOLE (A)	TANG LENGTH (B)	TANG THICKNESS (D)	STD. CTN. QTY.
5/16"	330	5/16	0.330	3.000	1.000	2.000	0.470	1.000	0.310	10
5/16"	400	5/16	.33 X .43	3.560	1.060	2.000	0.470	1.560	0.250	10
3/8	550	3/8	0.410	4.910	1.500	3.000	0.380	2.340	0.750	2
3/8	550	3/8	0.410	4.910	2.500	3.000	0.380	2.340	0.750	2
3/8	550	3/8	0.410	4.910	2.500	3.000	0.380	2.340	0.750	2
3/8	550	3/8	0.410	4.910	1.500	3.000	0.380	2.340	0.750	2
3/8	550	1/2	0.410	4.910	2.630	3.000	0.380	2.340	0.750	2
3/8	550	1/2	0.410	4.910	2.630	3.000	0.380	2.340	0.750	2



MECHANICAL CONNECTORS

Aluminum Dual Rated Splicer/Reducers

SR SERIES



FEATURES

- For splicing two copper or aluminum wires of equal or different sizes.
- Made of 6061T-6 aluminum alloy.
- Electro-tin plated for low contact resistance.

All dimensional data is listed in inches.

CAT. NO.	FIG. NO.	WIRE RANGE
2SR	1	2-14 AWG
1/OSR	1	1/0-14 AWG
4/OSR	1	4/0-6 AWG
250SR	2	250 MCM-6 AWG
350SR	2	350 MCM-6 AWG
500SR	2	500 MCM-3/0 AWG
750SR	2	750-250 MCM

RATINGS



LISTED
WIRE CONNECTOR

UL 486A/B Listed.

TEMPERATURE RATING:

90 °C.

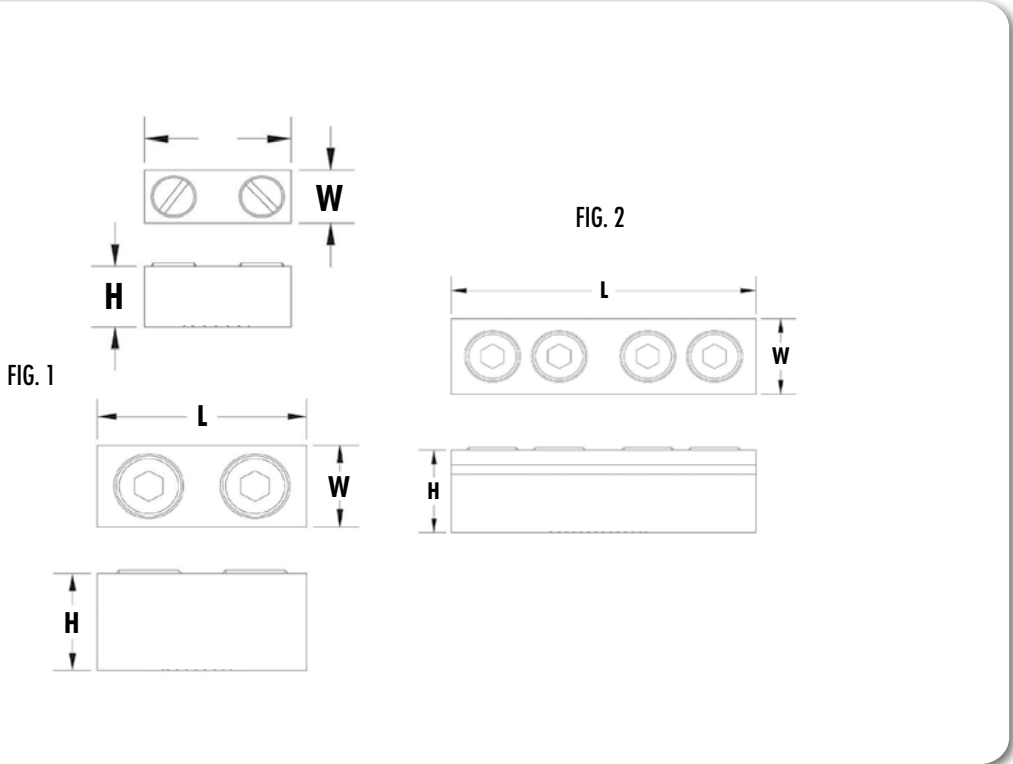
VOLTAGE:

600V (2000V max. per UL486B).





TORQUE VALUE (IN./LBS.)	WRENCH SIZE	LENGTH (L)	WIDTH (W)	HEIGHT (H)	STD. CTN. QTY.
50	Slotted	1.594	0.443	0.550	50
120	Slotted	1.500	0.530	0.630	25
250	5/16	2.310	0.812	1.000	24
330	5/16	4.094	0.812	1.000	10
400	3/8	4.190	1.130	1.190	8
550	3/8	5.000	1.380	1.500	3
550	3/8	6.250	1.630	1.750	3



MECHANICAL CONNECTORS

Aluminum Dual Rated Turn-prevent Lugs

TP, BTP SERIES



FEATURES

DUAL RATED LUGS

- Made of 6061T-6 aluminum alloy.
- Electro-tin plated for low contact resistance.
- For use with copper or aluminum conductors.

ALUMINUM BOX LUGS WITH TURN-PREVENT

- Made of 6061T-6 aluminum alloy.
- Electro-tin plated for low contact resistance.
- For use with copper or aluminum conductors.
- Design includes threaded mounting hole.

RATINGS

TEMPERATURE RATING:

Single/Double TP Lugs: 90 °C.
Box TP Lugs: 75 °C.

VOLTAGE:

600V (2000V max. per UL486B).
UL 486A/B Listed.

All dimensional data is listed in inches.

CAT. NO.	FIG. NO.	WIRE RANGE
2/OTP	1	2/0-14 AWG
300TP	1	300 MCM-6 AWG
350TP	1	350 MCM-6 AWG
2-350TP	2	(2) 350 MCM-6 AWG
600TP	1	600 MCM-2 AWG
2-600TP	2	(2) 600 MCM-2 AWG
CAT. NO.	FIG. NO.	WIRE RANGE
BTP 0	3	0-10 AWG
BTP 300	4	300 MCM-6 AWG
S300	5	300 MCM-6 AWG
BTP 350	6	350 MCM-6 AWG

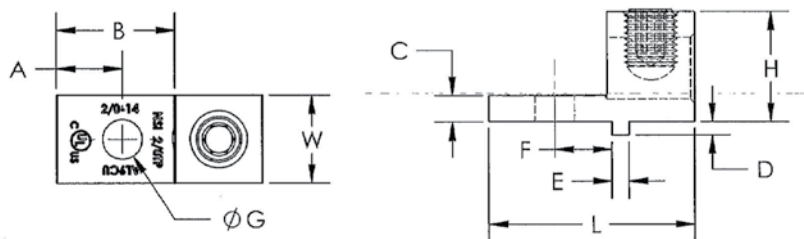




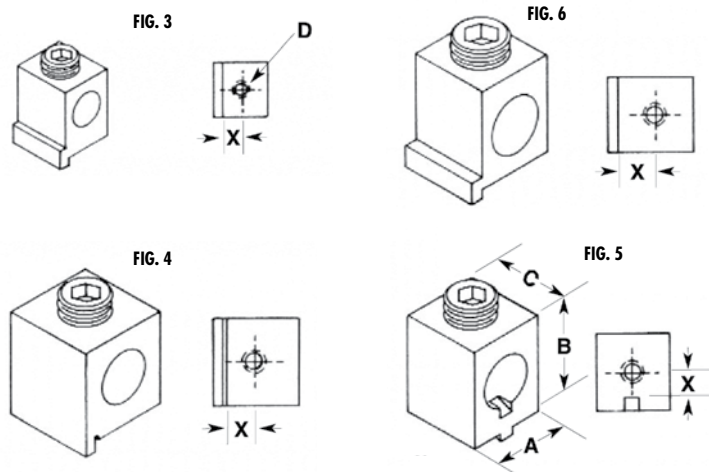
LENGTH (L)	WIDTH (W)	HEIGHT (H)	TANG LENGTH (A)	TANG LENGTH (B)	TANG THICKNESS (C)	TURN PVT. LENGTH (D)	TURN PVT. THICKNESS (E)	MTG. HOLE TO TURN PVT. (F)	HOLE DIA.	TORQUE VALUE (IN./LBS.)	WRENCH SIZE	MTG. BOLT SIZE	STD. CTN. QTY.
1.470	0.880	1.130	0.470	0.840	0.190	0.090	0.130	0.410	0.280	120	3/16	1/4	50
2.000	0.990	1.130	0.380	1.000	0.250	0.090	0.190	0.490	0.440	330	5/16	7/16	24
2.250	0.990	1.130	0.500	1.250	0.250	0.090	0.190	0.630	0.340	400	5/16	5/16	20
2.250	1.920	1.130	0.500	1.125	0.250	0.090	0.187	0.630	0.406	400	5/8	3/8	8
3.180	1.380	1.510	0.880	1.930	0.380	0.090	0.190	0.630	0.530	550	3/8	1/2	6
3.180	2.410	1.510	0.880	1.930	0.380	0.130	0.190	0.630	0.530	550	3/8	1/2	4

TORQUE VALUE (IN./LBS.)	HEX/WRENCH SIZE	MTG. BOLT SIZE	WIDTH (A)	HEIGHT (B)	LENGTH (C)	MTG. HOLE DIA. (D)	TURN PVT. TO MTG. HOLE (X)	STD. CTN. QTY.
120	0.312	#10	0.660	0.830	0.620	#10	0.230	25
325	0.375	1/4	0.970	1.160	0.980	0.250	0.385	40
325	0.375	1/4	0.880	1.090	0.880	0.250	0.312	25
375	0.375	1/4	0.880	1.100	0.880	0.250	0.440	48

LUG WITH Turn-prevent



BOX LUGS



MECHANICAL CONNECTORS

Aluminum Dual Rated Lay-In & Dual Range Lugs

GLA, BS SERIES



FEATURES

DUAL RATED LAY-IN LUGS

- Lay-in connectors offer the ultimate in flexibility.
- Excellent for grounding and continuous loop applications.
- Made of 6061T-6 aluminum alloy.
- Electro-tin plated for low contact resistance.
- For use with copper or aluminum conductors.

DUAL RANGE LUGS

- Set-screw connectors that will accept either one or two wires.
- Made of 6061T-6 aluminum alloy.
- Electro-tin plated for low contact resistance.
- For use with copper or aluminum conductors.

All dimensional data is listed in inches.

CAT. NO.	FIG. NO.	WIRE RANGE
GLA-4	1	4-14 AWG
GLA-0	1	1/0-8 AWG
GLA-000	1	3/0-6 AWG
GLA-250	2	250 MCM-6 AWG
BS400T2	3	(2) 250 MCM-1/0 AWG
	3	(4) 250 MCM-1/0 AWG
BS400T	4	(1) 600 MCM-4 AWG
	4	(2) 250 MCM-1/0 AWG

RATINGS

TEMPERATURE RATING:

Dual Rated Lay-In: 90 °C.
Dual Rated Dual Range: 90 °C.

VOLTAGE:

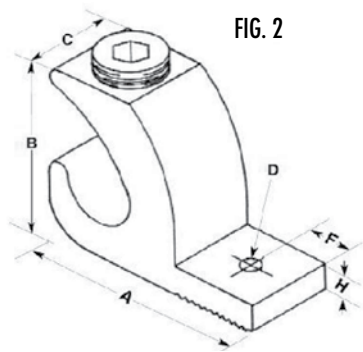
600V (2000V max. per UL486B).
UL 486A/B Listed.

1	2	3	4
 <p>UL US LISTED WIRE CONNECTOR</p>	 <p>SF 701642</p> <p>UL LISTED WIRE CONNECTOR</p>	 <p>SF 701642</p> <p>UL LISTED WIRE CONNECTOR</p>	 <p>SF 701642</p> <p>UL LISTED WIRE CONNECTOR</p>

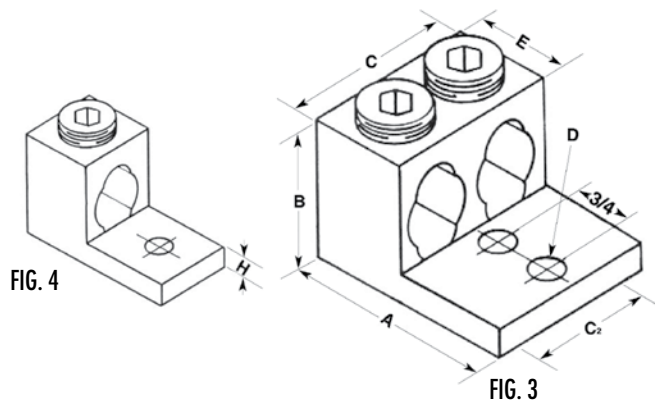


TORQUE VALUE (IN./LBS.)	HEX/WRENCH SIZE	MTG. BOLT SIZE	LENGTH (A)	HEIGHT (B)	WIDTH (C)	MTG. HOLE DIA. (D)	TANG LENGTH (F)	TANG THICKNESS (H)	STD. CTN. QTY.
45	Slotted	0.187	1.070	0.750	0.380	0.218	0.190	0.150	100
120	Slotted	0.250	1.500	1.100	0.600	0.272	0.300	0.220	40
250	0.250	0.375	2.000	1.500	0.800	0.330	0.400	0.300	20
330	0.250	0.375	2.200	1.700	0.800	0.330	0.400	0.300	20
500	0.375	0.250	3.812	2.000	2.468	0.281	.325	0.375	4
500	0.375	0.250	3.812	2.000	2.468	0.281	.325	0.375	4
500	0.375	0.562	2.810	1.810	1.380	0.625	.725	0.312	6
500	0.375	0.562	2.810	1.810	1.380	0.625	.725	0.312	6

LAY-IN CONNECTORS



DUAL RANGE LUGS



MECHANICAL CONNECTORS
Aluminum Dual Rated
Tap Connector & Covers
PARALLEL/"T" FORMAT
GP, GC SERIES



FEATURES

- Excellent for tapping of main conductor due to lay-in feature.
- Perpendicular tap allows for parallel or "T" tap configuration.
- Flexible cover allows for either parallel or "T" tap wire entry.
- Secure snap cover eliminates need for taping.
- Electro-tin plated for low contact resistance.

RATINGS



TEMPERATURE RATING:
 90 °C.

VOLTAGE:
 600V max.



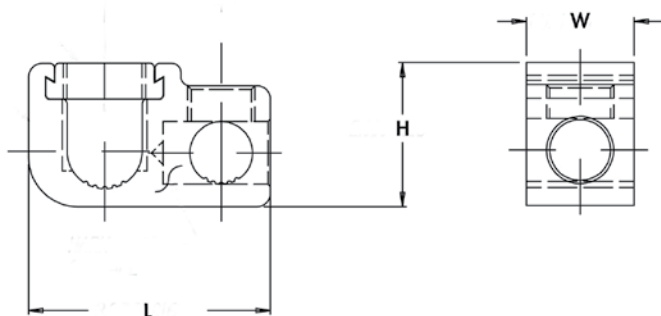
All dimensional data is listed in inches.

CAT. NO.	FIG. NO.	STYLE
GP-2	1	Parallel "T" Tap
GP-0	1	Parallel "T" Tap
GP-250-0	1	Parallel "T" Tap
GP-250	1	Parallel "T" Tap
GP-350	1	Parallel "T" Tap
GP-500	1	Parallel "T" Tap
GP-750	1	Parallel "T" Tap
GC-2	2	Insulated Covers
GC-0	2	Insulated Covers
GC-250	2	Insulated Covers
GC-350	2	Insulated Covers
GC-500	2	Insulated Covers
GC-750	2	Insulated Covers
GP-2WC	2	Parallel "T" Tap with Cover
GP-0WC	2	Parallel "T" Tap with Cover
GP-250-0WC	2	Parallel "T" Tap with Cover
GP-250WC	2	Parallel "T" Tap with Cover
GP-350WC	2	Parallel "T" Tap with Cover
GP-500WC	2	Parallel "T" Tap with Cover
GP-750WC	2	Parallel "T" Tap with Cover



COLOR CODE	MAIN (RUN) WIRE RANGE	TAP WIRE RANGE	TORQUE VALUE (IN./LBS.)	HEX/WRENCH SIZE	LENGTH (L) (IN.)	WIDTH (W) (IN.)	HEIGHT (H) (IN.)	STD. CTN. QTY.
-	2-12 STR	4-14 STR	50	Slotted	1.390	0.630	0.880	25
-	1/0-2 AWG	1/0-14 AWG	120	0.187	1.750	0.750	1.000	12
-	250 MCM-1/0 AWG	1/0-14 AWG	120 275	0.187, 0.312	2.030	1.060	1.310	12
-	250 MCM-1/0 AWG	250 MCM-6 AWG	275	0.312	2.280	1.060	1.310	12
-	350 MCM-4/0 AWG	350 MCM-6 AWG	275	0.312	2.560	1.250	1.440	6
-	500-350 MCM	500-2 MCM	375	0.375	3.130	1.380	1.750	6
-	750-500 MCM	500-2 MCM	375	0.375	3.380	1.500	2.000	3
Yellow	-	-	-	2.250	1.370	1.110	1.110	12
Gray	-	-	-	2.610	2.170	1.260	1.260	6
Red	-	-	-	3.440	3.180	1.630	1.630	3
Yellow	-	-	-	3.760	3.290	1.760	1.760	3
Blue	-	-	-	4.890	3.340	2.120	2.120	3
Orange	-	-	-	4.550	3.450	2.340	2.340	3
Yellow	2-12 STR	4-14 STR	50	Slotted	2.250	1.370	1.110	12
Gray	1/0-2 AWG	1/0-14 AWG	120	0.187	2.610	2.170	1.260	10
Red	250 MCM-1/0 AWG	1/0-14 AWG	120 275	0.187, 0.312	3.440	3.180	1.630	5
Red	250 MCM-1/0 AWG	250 MCM-6 AWG	275	0.312	3.440	3.180	1.630	5
Yellow	350 MCM-4/0 AWG	350 MCM-6 AWG	275	0.312	3.760	3.290	1.760	6
Blue	500-350 MCM	500-2 MCM	375	0.375	4.890	3.340	2.120	2
Orange	750-500 MCM	500-2 MCM	375	0.375	4.550	3.450	2.340	2

PARALLEL OR "T" TAP CONNECTORS



MECHANICAL CONNECTORS

Aluminum Dual Rated Heavy Duty Transformer Lugs

LL SERIES



FEATURES

- Versatile and reusable set-screw connectors made from high strength 6061-T6 aluminum alloy for superior electrical and mechanical performance.
- Two set-screws per wire hole ensure an exceptional connection.
- Electro-tin plated for low contact resistance.
- For use with copper or aluminum conductors.
- Mounting hole spacing is NEMA 1 $\frac{3}{4}$ " spacing is available with the following options: clear plating, anodized set-screws or disc pad screws – contact NSi Customer Service for ordering details.

RATINGS

Meets or exceeds ANSI C119.4 Class A.

TEMPERATURE RATING:

90 °C.

VOLTAGE:

600V max.

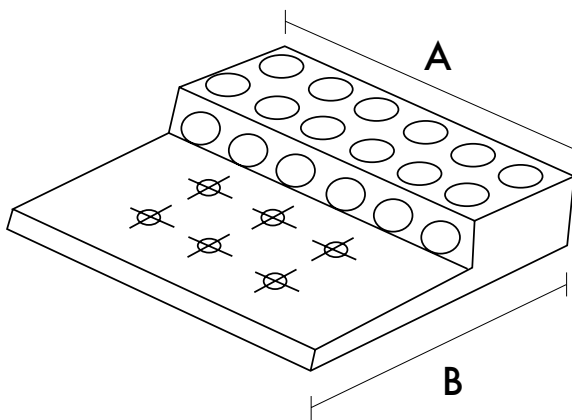
All dimensional data is listed in inches.

CAT. NO.	FIG. NO.	WIRE RANGE
350LL2	1	350 MCM-6 AWG
2-350LL4	2	350 MCM-6 AWG
3-350LL4	3	350 MCM-6 AWG
4-350LL6	4	350 MCM-6 AWG
6-350LL8	5	350 MCM-6 AWG
8-350LL8	6	350 MCM-6 AWG
8-350LL10	6	350 MCM-6 AWG
2-600LL4	2	600 MCM-2 AWG
4-600LL6	4	600 MCM-2 AWG
6-600LL6	6	600 MCM-2 AWG
2-800LL4	2	800-300 MCM
4-800LL8	4	800-300 MCM
2-1000LL4	2	800-300 MCM
4-1000LL8	4	1000-500 MCM
8-1000LL12	6	1000-500 MCM





NO. OF CONDUCTORS	NO. OF MTG. HOLES	MTG. HOLE DIA.	MTG. HOLE SPACING	WRENCH SIZE	BOLT SIZE	LENGTH (B) (IN.)	WIDTH (A) (IN.)	HEIGHT (H) (IN.)	STD. CTN. QTY.
1	2	0.563	1.750	3/8	1/2	5.310	1.130	1.380	1
2	4	0.563	1.750	3/8	1/2	5.310	2.000	1.380	1
3	4	0.563	1.750	3/8	1/2	5.310	2.940	1.380	1
4	6	0.563	1.750	3/8	1/2	5.310	3.870	1.380	1
6	8	0.563	1.750	3/8	1/2	5.310	5.750	1.380	1
8	8	0.563	1.750	3/8	1/2	5.310	7.620	1.380	1
8	10	0.563	1.750	3/8	1/2	5.310	7.620	1.380	1
2	4	0.563	1.750	3/8	1/2	5.875	2.410	1.562	1
4	6	0.563	1.750	3/8	1/2	5.875	4.780	1.562	1
6	6	0.563	1.750	3/8	1/2	8.750	5.750	1.750	1
2	4	0.563	1.750	1/2	1/2	6.188	2.737	1.875	1
4	8	0.563	1.750	1/2	1/2	6.188	5.487	1.875	1
2	4	0.563	1.750	1/2	1/2	6.188	2.982	1.875	1
4	8	0.563	1.750	1/2	1/2	6.188	5.982	1.875	1
8	12	0.563	1.750	1/2	1/2	6.188	11.982	1.875	1



MECHANICAL CONNECTORS

Aluminum Dual Rated Transformer Lugs

T, L SERIES



FEATURES

- Versatile and reusable set-screw connectors made from high strength 6061-T6 aluminum alloy for superior electrical and mechanical performance.
- Two set-screws per wire hole ensure an exceptional connection.
- Electro-tin plated for low contact resistance. For use with copper or aluminum conductors.
- Mounting hole spacing is NEMA 1 $\frac{3}{4}$ ".
- Also available with the following options: clear plating, anodized set-screws or disc pad screws – contact NSi Customer Service for ordering details.

RATINGS

Meets or exceeds ANSI C119.4 Class A .

TEMPERATURE RATING:

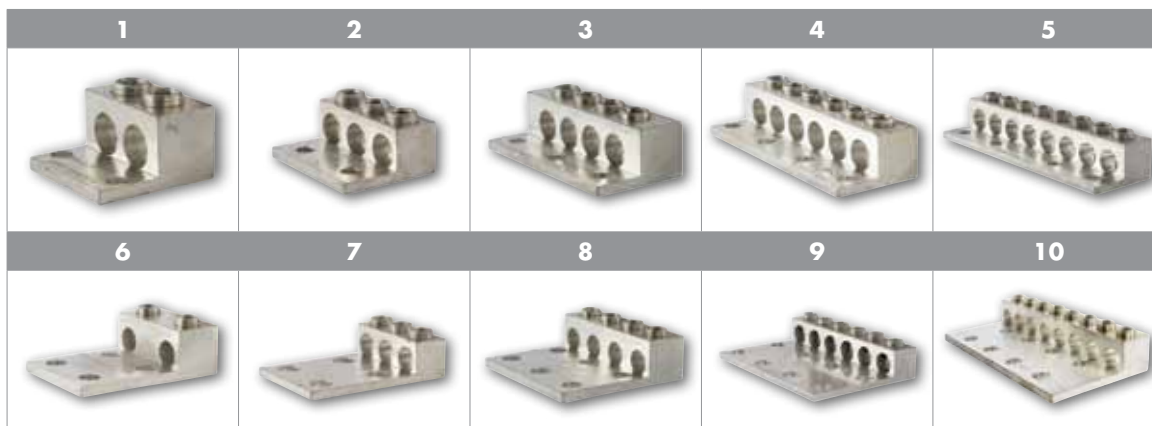
90 °C.

VOLTAGE:

600V max.

All dimensional data is listed in inches.

CAT. NO.	FIG. NO.	WIRE RANGE
2-350T2	1	350 MCM-6 AWG
3-350T2	2	350 MCM-6 AWG
4-350T3	3	350 MCM-6 AWG
6-350T4	4	350 MCM-6 AWG
8-350T4	5	350 MCM-6 AWG
2-350L4	6	350 MCM-6 AWG
3-350L4	7	350 MCM-6 AWG
4-350L6	8	350 MCM-6 AWG
6-350L8	9	350 MCM-6 AWG
8-350L8	10	350 MCM-6 AWG
2-600L4	6	600 MCM-2 AWG
3-600L4	7	600 MCM-2 AWG
4-600L6	8	600 MCM-2 AWG
6-600L8	9	600 MCM-2 AWG





NO. OF CONDUCTORS	NO. OF MTG. HOLES	MTG. HOLE DIA.	MTG. HOLE SPACING	WRENCH SIZE	MTG. BOLT SIZE	LENGTH (L) (IN.)	WIDTH (W) (IN.)	HEIGHT (H) (IN.)	STD. PKG. QTY.
2	2	0.375	1.750	3/8"	5/16"	2.250	1.940	1.250	1
3	2	0.375	1.750	3/8"	5/16"	2.250	2.840	1.250	1
4	3	0.375	1.750	3/8"	5/16"	2.250	3.750	1.250	1
6	4	0.375	1.750	3/8"	5/16"	2.250	4.660	1.250	1
8	4	0.375	1.750	3/8"	5/16"	2.250	5.560	1.250	1
2	4	0.563	1.750	3/8"	1/2"	4.310	2.000	1.380	1
3	4	0.563	1.750	3/8"	1/2"	4.310	2.940	1.380	1
4	6	0.563	1.750	3/8"	1/2"	4.310	3.870	1.380	1
6	8	0.563	1.750	3/8"	1/2"	4.310	5.750	1.380	1
8	8	0.563	1.750	3/8"	1/2"	4.310	7.620	1.380	1
2	4	0.563	1.750	3/8"	1/2"	4.500	2.410	1.630	1
3	4	0.563	1.750	3/8"	1/2"	4.500	3.590	1.630	1
4	6	0.563	1.750	3/8"	1/2"	4.500	4.780	1.630	1
6	8	0.563	1.750	3/8"	1/2"	4.500	7.160	1.630	1

MECHANICAL CONNECTORS
Aluminum Dual Rated
Transformer Connectors
2 HOLE NEMA PAD MOUNT
STL SERIES



FEATURES

- Made from 6061T-6 aluminum alloy.
- Electro-tin plated for low contact resistance.
- Two NEMA ½" holes for easy attachment.

RATINGS

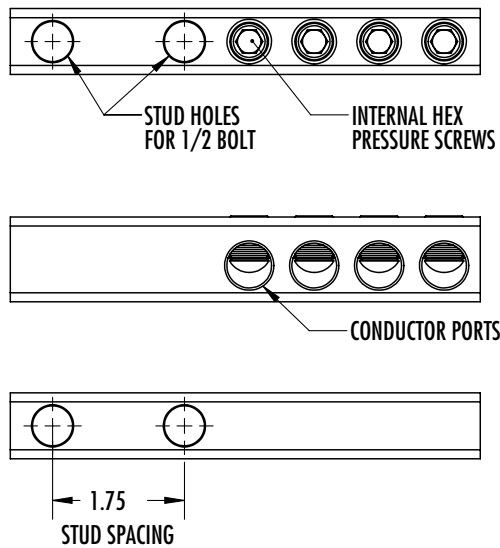
VOLTAGE:
 600V max.

All dimensional data is listed in inches.

CAT. NO.	WIRE RANGE
STL250-4	250 MCM-6 AWG
STL250-6	250 MCM-6 AWG
STL250-8	250 MCM-6 AWG
STL350-4	350 MCM-6 AWG
STL350-6	350 MCM-6 AWG
STL350-8	350 MCM-6 AWG
STL500-4	500 MCM-4 AWG
STL500-6	500 MCM-4 AWG
STL500-8	500 MCM-4 AWG
STL750-4	750-250 MCM
STL750-6	750-250 MCM
STL750-8	750-250 MCM



NO. OF CONDUCTORS	MTG. HOLE DIA.	MTG. HOLE SPACING	TORQUE VALUE (IN./LBS.)	MTG. BOLT SIZE	WRENCH SIZE	LENGTH (L)	WIDTH (W)	HEIGHT (H)	STD. CTN. QTY.
4	0.560	1.750	330	1/2	5/16	6.240	0.875	1.125	6
6	0.560	1.750	330	1/2	5/16	7.960	0.875	1.125	6
8	0.560	1.750	330	1/2	5/16	9.680	0.875	1.125	6
4	0.560	1.750	400	1/2	5/16	6.960	1.000	1.440	6
6	0.560	1.750	400	1/2	5/16	9.060	1.000	1.440	6
8	0.560	1.750	400	1/2	5/16	11.160	1.000	1.440	6
4	0.560	1.750	550	1/2	5/16	7.500	1.130	1.630	6
6	0.560	1.750	550	1/2	5/16	9.740	1.130	1.630	6
8	0.560	1.750	550	1/2	5/16	12.030	1.130	1.630	6
4	0.560	1.750	550	1/2	3/8	8.570	1.440	2.000	3
6	0.560	1.750	550	1/2	3/8	11.420	1.440	2.000	3
8	0.560	1.750	550	1/2	3/8	14.280	1.440	2.000	3



MECHANICAL CONNECTORS
Aluminum Dual Rated
Secondary Transformer
Connectors
SFTZ SERIES



FEATURES

- Versatile and reusable set-screw connectors made from high strength 6061-T6 aluminum alloy for superior electrical and mechanical performance.
- Electro-tin plated for low contact resistance.
- For use on slip-fit or threaded transformers.
- For use with copper and aluminum conductors.
- Available with street light tap.

RATINGS

Meets or exceeds ANSI C119.4 Class A.

TEMPERATURE RATING:

90 °C.

VOLTAGE:

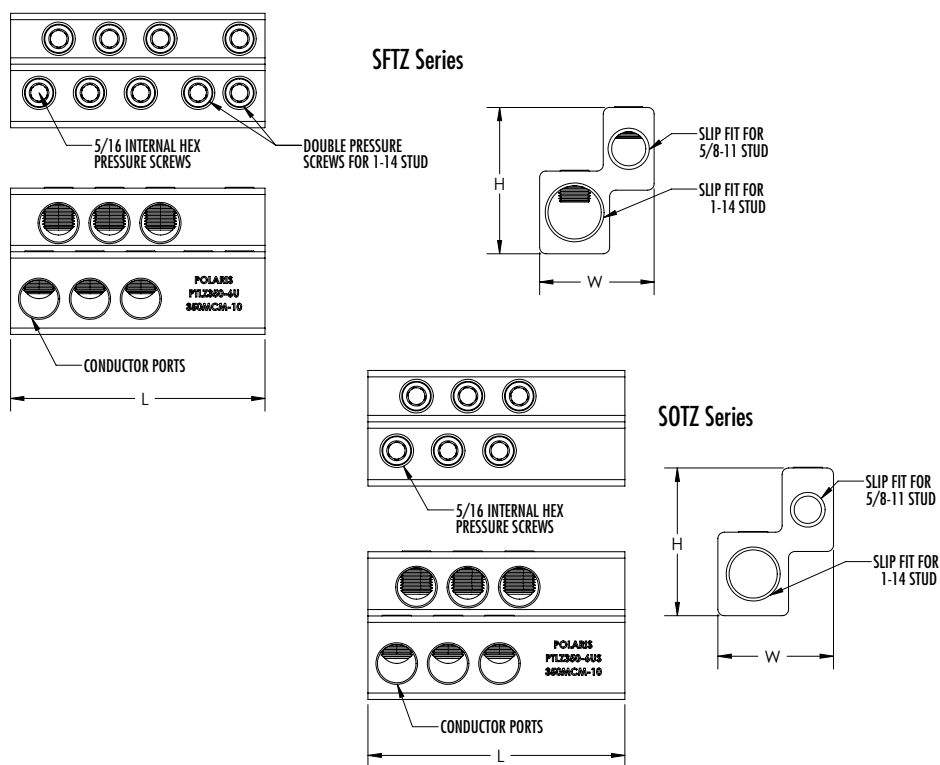
600V max.

All dimensional data is listed in inches.

CAT. NO.	WIRE RANGE
SFTZ350-6	350 MCM-6 AWG
SFTZ350-8	350 MCM-6 AWG
SFTZ500-6	500 MCM-6 AWG
SOTZ350-6	350 MCM-6 AWG
SOTZ350-8	350 MCM-6 AWG
SOTZ500-6	500 MCM-6 AWG
SOTZ500-8	500 MCM-6 AWG



TYPE	NO. OF CONDUCTORS	STUD SIZE	TORQUE VALUE (IN./LBS.)	WRENCH SIZE	LENGTH (L) (IN.)	WIDTH (W) (IN.)	HEIGHT (H) (IN.)	STD. CTN. QTY.
Slip Fit	6	5/8-11, 1-14	400	5/16	5.000	2.250	2.880	1
Slip Fit	8	5/8-11, 1-14	400	5/16	6.000	2.250	2.880	1
Slip Fit	6	5/8-11, 1-14	450	5/16	5.550	2.250	2.880	1
Screw On	6	5/8-11, 1-14	400	5/16	5.000	2.250	2.880	1
Screw On	8	5/8-11, 1-14	400	5/16	6.000	2.250	2.880	1
Screw On	6	5/8-11, 1-14	450	5/16	5.550	2.250	2.880	1
Screw On	8	5/8-11, 1-14	450	5/16	6.680	2.250	2.880	1



MECHANICAL CONNECTORS

Aluminum Dual Rated Transformer Stud Connectors

TS SERIES



FEATURES

- Versatile and reusable set-screw connectors made from high strength 6061-T6 aluminum alloy for superior electrical and mechanical performance.
- Clear plated for low contact resistance; stud is tin plated copper which provides low contact resistance for connection to transformer.
- For use with copper and aluminum conductors.
- Also available with the following options: clear plating, anodized set-screws or disc pad screws – contact NSi Customer Service for ordering details.

RATINGS

Meets or exceeds ANSI C119.4 Class A.

TEMPERATURE RATING:

90 °C.

VOLTAGE:

600V max.

TS350-8

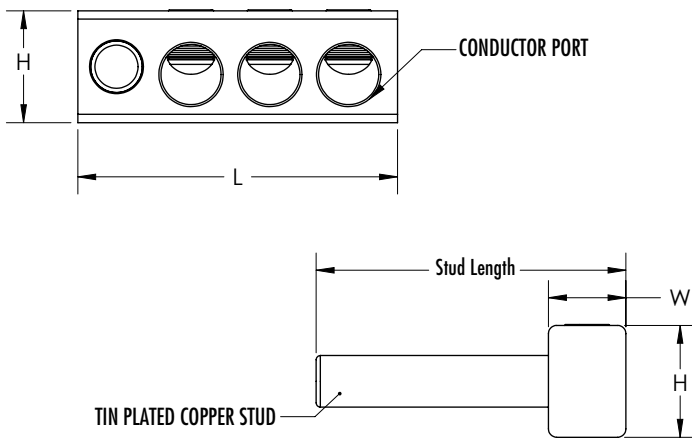


All dimensional data is listed in inches.

CAT. NO.	WIRE RANGE
TS1/0-2	1/0-4 AWG
TS1/0-4	1/0-4 AWG
TS250-2	250 MCM-6 AWG
TS250-3	250 MCM-6 AWG
TS250-4	250 MCM-6 AWG
TS250-8	250 MCM-6 AWG
TS350-2	350 MCM-6 AWG
TS350-2-12	350 MCM-6 AWG
TS350-3	350 MCM-6 AWG
TS350-4	350 MCM-6 AWG
TS350-6	350 MCM-6 AEG
TS350-8	350 MCM-6 AWG
TS500-2	500 MCM-4 AWG
TS500-3	500 MCM-4 AWG
TS500-4	500 MCM-4 AWG
TS750-2	750-250 MCM
TS750-4	750-250 MCM



NO. OF CONDUCTORS	COPPER STUD DIA.	STUD LENGTH	TORQUE VALUE (IN./LBS.)	WRENCH SIZE	LENGTH (L)	WIDTH (W)	HEIGHT (H)	STD. CTN. QTY.
2	0.375	3.00	180	5/16	2.030	0.630	0.880	1
4	0.375	3.00	180	5/16	2.680	0.880	0.880	1
2	0.500	4.00	360	5/16	2.590	0.880	1.130	1
3	0.500	4.00	360	5/16	3.460	0.880	1.130	1
4	0.500	4.00	360	5/16	4.320	0.880	1.130	1
8	0.500	4.00	360	5/16	7.770	0.880	1.130	1
2	0.625	4.00	400	5/16	2.950	0.880	1.250	1
2	0.500	4.00	400	5/16	2.950	0.880	1.250	1
3	0.625	4.00	400	5/16	3.950	0.880	1.250	1
4	0.625	4.00	400	5/16	4.950	0.880	1.250	1
6	0.625	4.00	400	5/16	6.950	0.880	1.250	1
8	0.625	4.00	400	5/16	8.950	0.880	1.250	1
2	0.750	4.50	450	5/16	4.650	1.130	1.630	1
3	0.750	4.50	450	5/16	5.790	1.130	1.630	1
4	0.750	4.50	450	5/16	6.940	1.130	1.630	1
2	0.750	5.50	550	5/16	4.040	1.250	1.750	1
4	0.750	5.50	550	5/16	6.720	1.250	1.750	1



MECHANICAL CONNECTORS
**Aluminum Flexible
 Cable Sleeves Connectors**
 FS SERIES



FEATURES

- For use with fine-stranded and flexible wire.
- Made from copper tube and plated for corrosion resistance.
- Belled end allows for easy cable insertion.

RATINGS

All dimensional data is listed in inches.

CAT. NO.	SLEED LD.
FS008	0.180
FS006	0.236
FS004	0.291
FS002	0.336
FS001	0.415
	-
FS010	0.500
	-
FS020	0.579
	-
FS030	0.657
	-
FS040	0.738
	-
FS350	0.798



COMM. CABLE SIZE	COMM CABLE	APPROX. CONDUTOR DIAMETER			LENGTH (L)	USE WITH MECHANICAL CONN. SIZE	STD. CTN. QTY.
		CLASS M WELDING	CLASS H	DIESEL LOCOMOTIVE			
8 AWG	0.146	0.162	0.167	0.140	0.4724	4 AWG	100
6 AWG	0.184	0.215	0.210	0.180	0.4724	4 AWG	100
4 AWG	0.232	0.269	0.266	0.240	0.4724	1/0 AWG	50
2 AWG	0.292	-	-	0.325	0.5906	1/0 AWG	50
2 AWG	-	0.337	0.335	-	0.7087	3/0 AWG	25
1 AWG	0.332	0.376	0.378	0.390	-	-	-
1/0 AWG	0.373	0.423	0.424	0.420	0.8661	250 MCM	25
2/0 AWG	0.419	-	0.477	0.460	-	-	-
2/0 AWG	-	0.508	-	-	0.9843	350 MCM	25
3/0 AWG	0.470	-	0.536	0.565	-	-	-
3/0 AWG	-	0.576	-	-	1.1812	350 MCM	12
4/0 AWG	0.528	-	0.601	0.590	-	-	-
4/0 AWG	-	0.645	-	0.660 (262.6)	1.2598	500 MCM	12
250 MCM	0.575	0.713	0.653	-	-	-	-
300 MCM	0.630	0.768	0.716	0.720 (313.1)	-	-	-
350 MCM	0.681	-	0.772	0.781 (313.7)	1.2598	500 MCM	12

MECHANICAL CONNECTORS

Copper Single Lugs Extruded & Tubular TC SERIES



FEATURES

COPPER SINGLE LUGS - CU - EXTRUDED STYLES

- Solid one-piece copper connector made from extruded copper for superior mechanical strength and excellent electrical performance.
- Steel screw.
- For use with copper wire only.

COPPER SINGLE LUGS - CU - TUBULAR STYLES

- Copper connector made from tubular copper.
- Steel screw.
- For use with copper wire only.

All dimensional data is listed in inches.

CAT. NO.	FIG. NO.	WIRE RANGE
6TC	1	6-14 AWG
4TC	1	4-14 AWG
2TC	1	2-14 AWG
0TC	1	1/0-14 AWG
4/0TC	1	4/0-2 AWG
6TC-1	2	6-14 AWG
4TC-1	2	4-14 AWG

RATINGS



TEMPERATURE RATING:

90 °C.

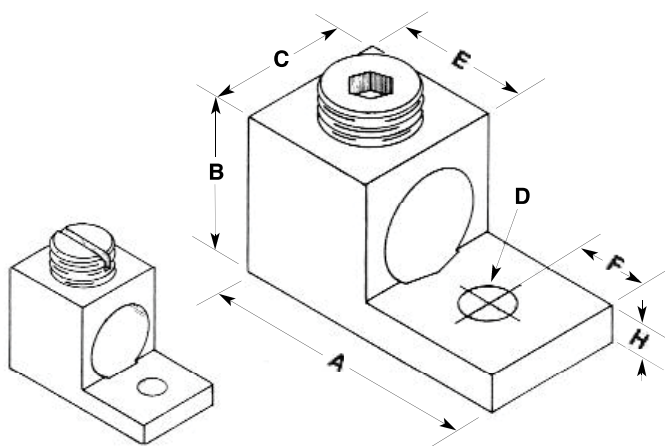
VOLTAGE:

600V (2000V max. per UL486B).
UL 486A/B Listed Wire Connectors.





TORQUE VALUE	WRENCH SIZE	MTG. BOLT SIZE	LENGTH (A)	HEIGHT (B)	WIDTH (C)	MTG. HOLE DIA. (D)	DEPTH (E)	TANG LENGTH (F)	TANG THICKNESS (H)	STD. CTN. QTY.
25	Slotted	3/16	1.020	0.400	0.375	0.193	0.370	0.187	0.115	100
25	Slotted	1/4	1.075	0.440	0.450	0.265	0.328	0.275	0.100	100
30	Slotted	1/4	1.125	0.484	0.458	0.265	0.475	0.325	0.125	100
40	Slotted	1/4	1.277	0.680	0.548	0.265	0.600	0.337	0.125	50
200	5/16"	3/8	1.950	0.950	0.812	0.390	0.875	0.406	0.218	25
25	Slotted	3/16	0.995	0.778	0.345	0.203	0.375	0.226	0.610	100
45	Slotted	1/4	1.255	1.255	0.453	0.258	0.500	0.500	0.750	100



MECHANICAL CONNECTORS

Copper Single/Double Solderless Lugs

DE SERIES



FEATURES

- Made of 99.98% pure electrolytic copper.
- Steel-plated screws to prevent rusting.
- 25 to 70 ampere sizes have slotted head screws.
- Larger sizes have hex head screws.

RATINGS



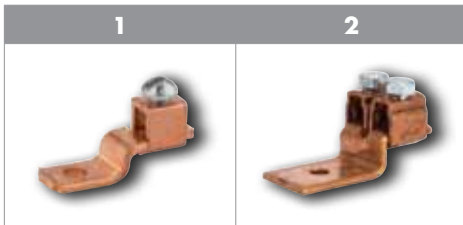
TEMPERATURE RATING:

90 °C.

VOLTAGE:

600V max.

UL 486 Listed.

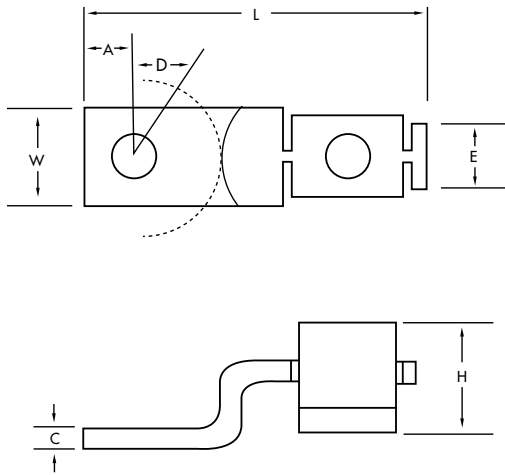


All dimensional data is listed in inches.

CAT. NO.	FIG. NO.	WIRE RANGE
DE703	1	10-14 AWG
DE704	1	6-14 AWG
DE705	1	2-8 AWG
DE711	1	4-14 AWG
DE706	1	1/0-6 AWG
DE713	1	3/0-4 AWG
DE707	1	4/0-2 AWG
D899	2	4/0-2 AWG
DE710	1	350 MCM-1/0 AWG
DE708	1	500 MCM-4/0 AWG
DE709	1	1000-600 MCM



MTG. BOLT SIZE	AMP RATING	TORQUE VALUE (IN./ (LBS.))	WRENCH SIZE	LENGTH (L)	WIDTH (W)	HEIGHT (H)	TANG LENGTH (A)	TANG THICKNESS (C)	MTG. HOLE DIA. (D)	STD. CTN. QTY.
1/4	25	60	Slotted	1.025	0.315	0.465	0.195	0.069	0.160	100
3/16	35	90	Slotted	1.190	0.380	0.500	0.230	0.070	0.250	100
5/16	70	125	Slotted	1.550	0.500	0.650	0.250	0.090	0.340	100
1/4	70	90	Slotted	1.310	0.500	0.560	0.250	0.080	0.280	50
1/4	125	150	Slotted	1.970	0.630	0.880	0.500	0.130	0.280	25
3/8	175	200	3/8	2.190	0.750	1.030	0.440	0.130	0.500	18
1/2	225	200	7/32	2.380	1.000	1.170	0.470	0.130	0.560	15
5/8	450	200	5/8	3.200	1.502	1.720	0.915	0.190	0.405	6
3/4	300	250	3/4	3.025	0.998	2.310	0.450	0.186	0.403	10
15/16	400	300	15/16	4.320	1.497	2.200	0.840	0.190	0.403	2
3/8	650	400	3/8	4.360	1.998	2.870	1.080	0.254	0.530	2



MECHANICAL CONNECTORS

Copper And Bronze Terminal Lugs

TL SERIES



FEATURES

- Made from high conductivity copper alloy.
- Range taking.
- Re-usable.
- Fig.2-8 (below) made from high strength cast bronze.

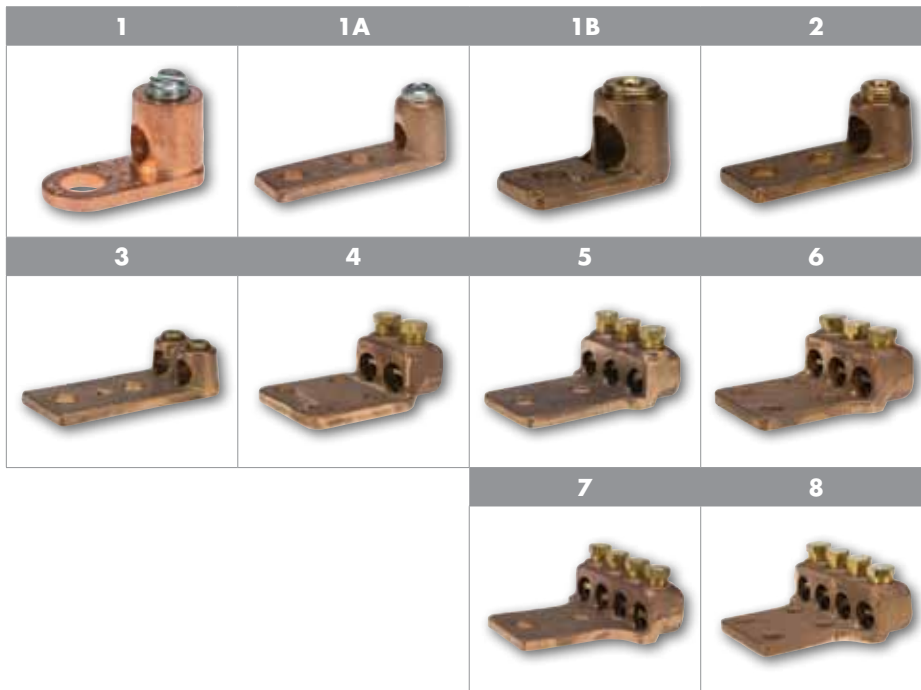
RATINGS



VOLTAGE:
600V (2000V max. per UL486B).
UL486 Listed Wire Connector.

All dimensional data is listed in inches.

CAT. NO.	FIG. NO.	MTG. BOLT SIZE
TL8	1	3/16
TL4	1	1/4
TL1/0	1A	5/16
TL1/0-L2	2	5/16
TL250	1A	3/8
TL250-L2	2	3/8
TL250-2L2	3	1/2
TL250-3L2	5	1/2
TL250-4L2	7	1/2
TL500	1B	1/2
TL500-L2	2	1/2
TL500-2L2	3	1/2
TL500-2L4	4	1/2
TL500-3L2	5	1/2
TL500-3L4	6	1/2
TL500-4L2	7	1/2
TL500-4L4	8	1/2
TL1000	1B	1/2
TL1000-L2	2	1/2
TL1000-2L4	4	1/2
TL1000-3L4	6	1/2





WIRE RANGE	MTG. HOLE DIA.	TORQUE VALUE (IN./LBS.)	WRENCH SIZE	LENGTH (L)	WIDTH (W)	HEIGHT (H)	TANG LENGTH (A)	TANG LENGTH (B)	TANG THICKNESS (C)	STD. CTN. QTY.
8 STR-14 SOL	0.200	60	Slotted	0.815	0.390	0.400	0.150	0.467	0.080	100
4 STR - 14 SOL	0.278	90	Slotted	1.125	0.537	0.553	0.248	0.617	0.096	100
1/0 STR - 4 SOL	0.315	150	1/4	1.584	0.723	0.792	0.370	0.866	0.090	50
1/0 STR - 4 SOL	0.360	150	1/4	2.670	0.775	0.895	0.388	1.908	0.183	40
250 MCM - 6 STR	0.380	250	1/4	1.950	0.927	1.049	0.416	1.088	0.119	25
250 MCM - 1/0 STR	0.403	250	1/4	2.996	1.103	1.025	0.424	1.890	0.246	15
300 MCM - 4/0 STR	0.560	250	1/4	4.473	1.994	1.102	0.713	3.375	0.283	10
300 MCM - 4/0 STR	0.560	250	5/8	4.472	3.058	1.838	0.600	3.255	0.362	4
300 MCM - 4/0 STR	0.560	250	5/8	4.440	4.089	1.783	0.650	3.175	0.394	3
500 MCM - 4/0 STR	0.525	300	3/8	2.986	1.375	1.456	0.750	1.640	0.303	10
500 - 300 MCM	0.562	300	3/4	4.500	1.375	2.154	0.625	3.000	0.344	6
500 - 300 MCM	0.562	300	3/4	4.500	2.500	2.055	0.625	3.000	0.375	6
500 - 300 MCM	0.562	300	3/4	4.500	3.000	2.055	0.625	3.000	0.375	4
500 - 300 MCM	0.562	300	3/4	4.500	2.500	2.150	0.625	3.000	0.375	3
500 - 300 MCM	0.562	300	3/4	4.500	3.625	2.150	0.625	3.000	0.375	3
500 - 300 MCM	0.562	300	3/4	4.500	4.187	2.150	0.625	3.000	0.375	2
500 - 300 MCM	0.562	300	3/4	4.500	4.187	2.150	0.625	3.000	0.375	2
1000 - 500 MCM	0.557	400	3/8	3.992	1.985	1.945	0.742	2.245	0.356	4
1000 - 750 MCM	0.562	400	7/8	4.875	1.875	2.887	0.625	3.000	0.500	4
1000 - 750 MCM	0.570	400	7/8	5.045	3.630	2.900	0.620	3.270	0.517	2
1000 - 750 MCM	0.570	400	7/8	6.045	3.630	2.900	0.620	3.270	0.517	2

MECHANICAL CONNECTORS

Aluminum Dual Rated Parallel Groove Clamps

PAA, PAE SERIES



FEATURES

- High strength aluminum extruded alloy fittings assembled with steel or anodized high strength aluminum flat washers for heavy duty service entrance or for use as heavy duty distribution armor rod clamps.
- Serrated grooves provide increased contact.
- Supplied pre-filled with oxide inhibitor.
- For galvanized steel hardware, add the suffix -SH to each part number.

RATINGS

TEMPERATURE RATING:

90 °C.

VOLTAGE:

600V max.



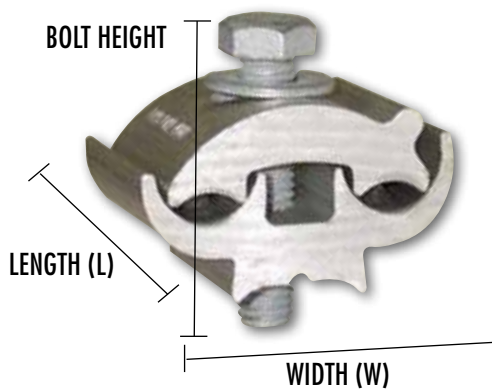
All dimensional data is listed in inches.

CAT. NO.	FIG. NO.
PAA4	1
PAA5	1
PAA6	1
PAA10	1
PAA12	1
PAA29	1
PAA339	1
PAA49	1
PAA129	1
PAE2121-9	2
PAE4141-9	2



MAIN		TAP		HEX/WRENCH SIZE	BOLT HEIGHT	WIDTH (W)	LENGTH (L)	STD. CTN. QTY.
ACSR	AL/CU	ACSR	AL/CU					
1/0-6	1/0 STR-6 SOL	1/0-6	1/0 STR-6 SOL	3/8	1.187	1.500	2.219	25
1/0-8	1/0 STR-8 SOL	1/0-8	1/0 STR-8 SOL	3/8	1.496	1.496	1.240	25
1/0-8	2/0 STR-8 SOL	1/0-8	2/0 STR-8 SOL	3/8	1.496	1.496	1.240	25
336.4-1/0	400-1/0 SOL	1/0-8	1/0 STR-8 SOL	3/8	2.000	1.750	2.469	12
4/0-2	4/0 STR-2 SOL	4/0-2	4/0 STR-2 SOL	1/2	2.000	2.000	2.250	12
2-6	2 STR-6 SOL	2-6	2 STR-6 SOL	5/16	1.094	1.375	1.813	25
1/0-6	1/0 STR-6 SOL	1/0-6	1/0 STR-6 SOL	3/8	1.250	1.500	1.563	25
1/0-6	1/0 STR-6 SOL	1/0-6	1/0 STR-6 SOL	3/8	2.219	1.500	1.187	25
4/0-2	4/0 STR-2 SOL	4/0-2	4/0 STR-20L	1/2	2.250	2.000	2.000	12
2/0-6	2/0 STR-6 SOL	2/0-6	2/0 STR-6 SOL	3/8	2.000	1.625	1.375	25
4/0-4	4/0 STR-2 SOL	4/0-4	4/0 STR-2 SOL	3/8	2.000	2.000	1.375	12

TYPICAL



MECHANICAL CONNECTORS

Wedge & Hot-Line Clamps, Service Entrance Connector

W, HLC, EC SERIES

FEATURES

ALUMINUM SERVICE WEDGE CLAMPS

- For dead-ending self-supporting drop wire.
- Saves conductor – drop wire may be cut to exact length.
- Can be attached to bare neutral in any point in the span.
- Adjustment in drop wire sag are easily made.
- Grips ACSR, AAAC or aluminum conductor.

COPPER HOT LINE CLAMPS

- Clamping stem is manufactured from high strength silicon bronze.
- Saddle is made of high strength copper alloy, ensuring continued clamping force on the main conductor.
- Threads of clamping stem are protected to prevent damage due to arcing.
- Double coil stainless steel washer maintains continuous pressure on the main conductor.
- Retainer pin captivates the saddle for easy installation.

SERVICE ENTRANCE CONNECTOR

- Body and screw are of high strength, corrosion resistant copper alloy, 600V.

RATINGS



SERVICE ENTRANCE CONNECTOR:

Body and screw are of high strength, corrosion-resistant copper alloy.

TEMPERATURE RATING:

90 °C.

VOLTAGE:

600V (2000V max. per UL486B).
UL486A/B Listed Wire Connector.

CAT.
NO.

W62-1

W62-1FC

W20-1

W20-1FC

W40-1

W40-1FC



CAT.
NO.

HLC-2/0

HLC-400



CAT.
NO.

EC12

EC6

EC4

EC2





All dimensional data is listed in inches.

ACSR	WIRE RANGE ALUMINUM	AAAC	LENGTH (L)	WIDTH (W)	STD. CTN. QTY.
2-6	1 STR-6 SOL	2-6	12.000	2.375	12
2-6	1 STR-6 SOL	2-6	17.500	FLEX	12
1/0-4	2/0 STR-2 SOL	1/0-4	12.500	2.375	8
1/0-4	2/0 STR-2 SOL	1/0-4	18.500	FLEX	8
4/0-2/0	4/0 STR-2/0 SOL	4/0-2/0	12.750	2.375	6
4/0-2/0	4/0 STR-2/0 SOL	4/0-2/0	18.500	FLEX	6

MAIN		TAP		LENGTH (L)	WIDTH (W)	HEIGHT (H)	STD. CTN. QTY.
CONDUCTOR RANGE	WIRE DIAMETER	CONDUCTOR RANGE	WIRE DIAMETER				
8 sol - 2/0 str	.128/.414	8 sol - 2/0 str	.128/.414	4.119	2.550	2.120	1
6 sol - 400MCM	.162/.745	8 sol - 4/0 str	.128/.547	4.716	2.900	1.348	1

WIRE RANGE	TORQUE VALUE (IN./LBS.)	HEX/WRENCH SIZE	STD. CTN. QTY.
12 str	35	1/4	100
6 str	45	5/16	100
4 str	45	3/8	100
2 str	50	7/8	100

COMPRESSION CONNECTORS

Aluminum Dual Rated

One Hole Standard Barrel

AL SERIES



FEATURES

- Produced from high conductivity aluminum tubing.
- Electro-tin plated for corrosion resistance.
- Color coded and marked with die index information.
- Pre-filled with oxide inhibitor and capped with color coded cap.
- Listed for 35KV maximum when properly installed.
- Consult factory for additional hole sizes.

RATINGS



UL486A/B Listed.

UL Listed to 35kV when properly installed to cable manufacturers specifications

TEMPERATURE RATING:

90 °C.

CRIMP TOOL:

N1240,N121D.

VOLTAGE:

600V (2000V Max. per UL486).

All dimensional data is listed in inches.

CAT. NO.	WIRE RANGE	EXPANDED WIRE RANGE*
AL8-14	8 AWG	8 AWG
AL6-14	6 AWG	6-8 AWG
AL4-14	4 AWG	4-6 AWG
AL4-38	4 AWG	4-6 AWG
AL2-14	2 AWG	2-6 AWG
AL2-38	2 AWG	2-6 AWG
AL1-14	1 AWG	1-6 AWG
AL1/0-38	1/0 AWG	1/0-6 AWG
AL1/0-48	1/0 AWG	1/0-6 AWG
AL2/0-38	2/0 AWG	2/0-4 AWG
AL2/0-48	2/0 AWG	2/0-4 AWG
AL3/0-38	3/0 AWG	3/0-2 AWG
AL3/0-48	3/0 AWG	3/0-2 AWG
AL4/0-38	4/0 AWG	4/0-1 AWG
AL4/0-48	4/0 AWG	4/0-1 AWG
AL250-48	250 MCM	250 MCM-1/0 AWG
AL300-48	300 MCM	300 MCM-2/0 AWG
AL350-48	350 MCM	350MCM-3/0 AWG
AL400-48	400 MCM	400MCM-4/0 AWG
AL500-48	500 MCM	500-250 MCM
AL500-58	500 MCM	500-250 MCM
AL600-48	600 MCM	600-250 MCM
AL600-58	600 MCM	600-250 MCM
AL750-48	750 MCM	750-500 MCM
AL750-58	750 MCM	750-500 MCM
AL1000-58	1000 MCM	—

*EXPANDED WIRE RANGE when installed with NSI N121D dieless compression tool. UL Listed with other tools:

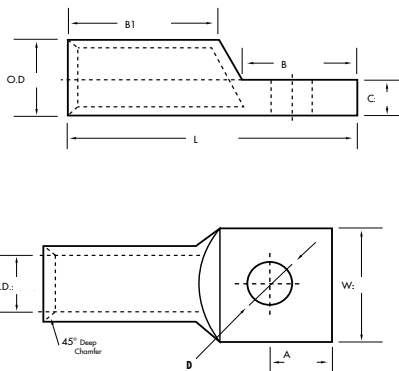
FOR TOOL & DIE CRIMPING INFORMATION, PLEASE SEE TABLE ON PAGE 147



Scan QR to view Tool & Die Charts



COLOR CODE	BOLT SIZE	BARREL O.D.	BARREL I.D.	LENGTH (L)	WIDTH (W)	TANG LENGTH (A)	TANG LENGTH (B)	BARREL LENGTH (B1)	TANG THICKNESS (C)	MTG. HOLE DIA. (D)	STD. CTN. QTY.
Blue	1/4	0.302	0.182	1.549	0.410	0.231	0.645	0.550	0.114	0.260	24
Gray	1/4	0.339	0.201	2.008	0.567	0.378	0.878	0.858	0.098	0.248	24
Green	1/4	0.441	0.252	2.307	0.567	0.378	0.878	1.098	0.189	0.248	24
Green	3/8	0.441	0.252	2.390	0.650	0.378	0.878	1.098	0.150	0.409	24
Pink	1/4	0.532	0.311	2.500	0.709	0.378	0.878	1.201	0.217	0.248	24
Pink	3/8	0.532	0.311	2.500	0.709	0.378	0.878	1.201	0.217	0.409	24
Gold	1/4	0.532	0.350	2.500	0.728	0.378	0.878	1.201	0.177	0.248	24
Tan	3/8	0.630	0.390	2.807	0.847	0.500	0.929	1.201	0.240	0.409	24
Tan	1/2	0.630	0.390	2.807	0.847	0.020	0.929	1.201	0.240	0.508	24
Olive	3/8	0.689	0.441	2.807	0.937	0.500	1.118	1.299	0.240	0.409	12
Olive	1/2	0.689	0.441	2.807	0.937	0.500	1.118	1.299	0.240	0.508	12
Ruby	3/8	0.760	0.480	3.000	1.028	0.500	1.118	1.402	0.280	0.409	12
Ruby	1/2	0.760	0.480	3.000	1.028	0.500	1.118	1.402	0.280	0.508	12
White	3/8	0.839	0.551	3.429	1.150	0.559	1.307	1.402	0.287	0.409	12
White	1/2	0.839	0.551	3.429	1.150	0.559	1.307	1.402	0.287	0.508	12
Red	1/2	0.921	0.591	3.500	1.260	0.630	1.307	1.500	0.319	0.508	12
Blue	1/2	1.012	0.650	4.000	1.370	0.630	1.500	1.598	0.347	0.508	6
Brown	1/2	1.118	0.721	4.248	1.520	0.689	1.500	1.902	0.390	0.508	6
Green	1/2	1.189	0.760	4.677	1.606	0.689	1.500	2.299	0.417	0.508	6
Pink	1/2	1.319	0.839	4.748	1.787	0.748	1.500	2.500	0.469	0.508	6
Pink	5/8	1.319	0.839	4.748	1.787	0.748	1.500	2.500	0.469	0.669	6
Black	1/2	1.441	0.921	5.118	1.957	0.748	1.870	2.598	0.508	0.508	3
Black	5/8	1.441	0.921	5.118	1.957	0.748	1.870	2.598	0.508	0.669	3
Yellow	1/2	1.598	1.032	6.118	2.189	0.937	2.000	3.201	0.547	0.508	3
Yellow	5/8	1.598	1.032	6.118	2.189	0.937	2.000	3.201	0.547	0.669	3
Brown	5/8	1.833	1.173	6.719	2.500	1.000	2.500	2.562	0.688	0.669	1



COMPRESSION CONNECTORS

ALuminum Dual Rated

Two Hole

Standard Barrel

AL-N SERIES



FEATURES

- Produced from high conductivity aluminum tubing.
- Electro-tin plated for corrosion resistance.
- Color coded and marked with die index information.
- Pre-filled with oxide inhibitor and capped with color coded cap.
- Listed for 35KV maximum when properly installed.
- Consult factory for additional hole sizes.

RATINGS



UL486A/B Listed.

UL Listed to 35kV when properly installed to cable manufacturers specifications.

TEMPERATURE RATING:

90 °C.

CRIMP TOOL:

N1240, N121D.

VOLTAGE:

600V (2000V Max. per UL486).

All dimensional data is listed in inches.

CAT. NO.	WIRE RANGE	EXPANDED WIRE RANGE*
AL1/ON	1/0 AWG	1/0-6 AWG
AL2/ON	2/0 AWG	2/0-4 AWG
AL3/ON	3/0 AWG	3/0-2 AWG
AL4/ON	4/0 AWG	4/0-1 AWG
AL250N	250 MCM	250 MCM-1/0 AWG
AL300N	300 MCM	300 MCM-2/0 AWG
AL350N	350 MCM	350MCM-3/0 AWG
AL400N	400 MCM	400MCM-4/0 AWG
AL500N	500 MCM	500-250 MCM
AL600N	600 MCM	600-250 MCM
AL750N	750 MCM	750-500 MCM
AL1000N	1000 MCM	—

***EXPANDED WIRE RANGE** when installed with NSI N121D dieless compression tool. UL Listed with other tools:

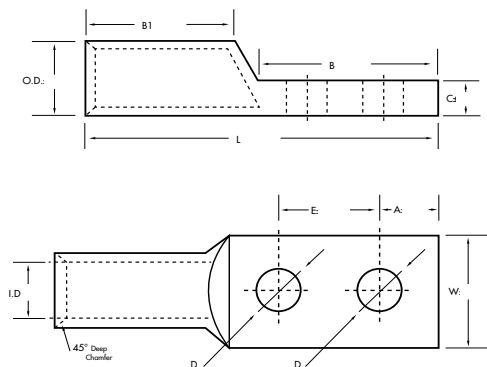
FOR TOOL & DIE CRIMPING INFORMATION, PLEASE SEE TABLE ON PAGE 147



Scan QR to view Tool & Die Charts



COLOR CODE	BOLT SIZE	MTG. HOLE SPACING (E)	O.D.	I.D.	LENGTH (L)	WIDTH (W)	TANG LENGTH (A)	TANG LENGTH (B)	BARREL LENGTH (B1)	TANG THICKNESS (C)	MTG. HOLE DIA. (D)	STD. CTN. QTY.
Tan	1/2	1.750	0.630	0.390	4.748	0.847	0.630	3.118	1.201	0.240	0.508	12
Olive	1/2	1.750	0.690	0.440	4.799	0.937	0.630	3.118	1.299	0.240	0.508	12
Ruby	1/2	1.750	0.760	0.480	5.000	1.028	0.630	3.118	1.402	0.280	0.508	12
White	1/2	1.750	0.840	0.550	5.248	1.150	0.630	3.118	1.402	0.287	0.508	12
Red	1/2	1.750	0.920	0.590	5.307	1.260	0.630	3.118	1.500	0.319	0.508	12
Blue	1/2	1.750	1.010	0.650	5.500	1.370	0.630	3.118	1.598	0.347	0.508	6
Brown	1/2	1.750	1.120	0.720	5.870	1.520	0.630	3.118	1.902	0.390	0.508	6
Green	1/2	1.750	1.190	0.760	6.429	1.606	0.630	3.118	2.299	0.417	0.508	6
Pink	1/2	1.750	1.320	0.840	6.500	1.787	0.630	3.118	2.500	0.469	0.508	6
Black	1/2	1.750	1.440	0.920	6.748	1.957	0.630	3.118	2.598	0.508	0.508	3
Yellow	1/2	1.750	1.600	1.030	7.370	2.189	0.630	3.118	3.201	0.547	0.508	3
Brown	1/2	1.750	1.831	1.170	7.437	2.500	0.750	3.219	2.562	0.687	0.508	1



COMPRESSION CONNECTORS

Dual Rated Aluminum Splice

ASC-T SERIES



FEATURES

- Produced from high conductivity aluminum tubing.
- Center stop assures proper cable installation.
- Electro-tin plated for corrosion resistance.
- Color coded and marked with die index information.
- Pre-filled with oxide inhibitor and capped with color coded cap.
- Listed for 35KV maximum when properly installed.
- Consult factory for additional hole sizes.

RATINGS



UL486A/B Listed.

UL Listed to 35kV when properly installed to cable manufacturers specifications.

TEMPERATURE RATING:
90 °C.

CRIMP TOOL:
N1240,N121D.

VOLTAGE:
600V (2000V Max. per UL486).

All dimensional data is listed in inches.

CAT. NO.	WIRE RANGE
ASC8T	8 AWG
ASC6T	6 AWG
ASC4T	4 AWG
ASC2T	2 AWG
ASC1T	1 AWG
ASC1/0T	1/0 AWG
ASC2/0T	2/0 AWG
ASC3/0T	3/0 AWG
ASC4/0T	4/0 AWG
ASC250T	250 MCM
ASC300T	300 MCM
ASC350T	350 MCM
ASC400T	400 MCM
ASC500T	500 MCM
ASC600T	600 MCM
ASC750T	750 MCM
ASC1000T	1000 MCM

***EXPANDED WIRE RANGE** when installed with NSI N121D dieless compression tool. UL Listed with other tools:

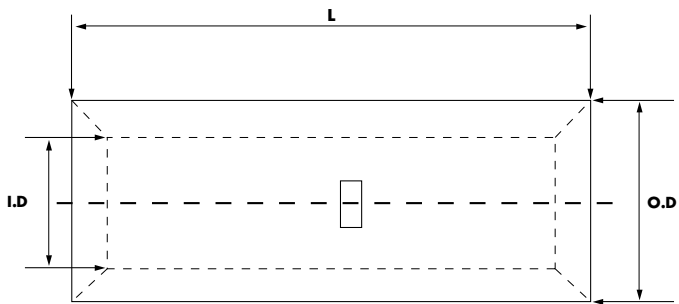
FOR TOOL & DIE CRIMPING INFORMATION, PLEASE SEE TABLE ON PAGE 147



Scan QR to view Tool & Die Charts



EXPANDED WIRE RANGE*	COLOR CODE	O.D.	I.D.	LENGTH (L)	STD. CTN. QTY.
8 AWG	Blue	0.297	0.146	1.750	100
6-8 AWG	Gray	0.339	0.197	1.630	24
4-6 AWG	Green	0.437	0.248	2.000	24
2-6 AWG	Pink	0.528	0.307	2.378	24
1-6 AWG	Gold	0.528	0.347	2.378	24
1/0-6 AWG	Tan	0.630	0.390	2.500	24
2/0-4 AWG	Olive	0.689	0.440	2.630	12
3/0-2 AWG	Ruby	0.760	0.480	2.878	12
4/0-1 AWG	White	0.839	0.550	3.130	12
250 MCM-1/0 AWG	Red	0.920	0.590	3.248	12
300 MCM-2/0 AWG	Blue	1.010	0.650	3.248	6
350MCM-3/0 AWG	Brown	1.120	0.720	3.878	6
400MCM-4/0 AWG	Green	1.190	0.760	4.878	6
500-250 MCM	Pink	1.320	0.840	5.000	6
600-250 MCM	Black	1.440	0.920	5.130	6
750-500 MCM	Yellow	1.600	1.030	5.378	3
—	Brown	1.844	1.153	5.250	3



COMPRESSION CONNECTORS

Bi-Metallic Pin Terminals

PT SERIES



FEATURES

- Designed to facilitate termination of aluminum conductors.
- Pin: Stranded copper, tin plated.
- Supplied with PVC insulating cover.
- Connector bores are coated with oxide inhibitor.

RATINGS



UL 486A/B Listed.

TEMPERATURE RATING:

90 °C.

RATING:

600V.

CRIMP TOOL:

N1240.

All dimensional data is listed in inches.

CAT. NO.	WIRE RANGE
PT6	6 AWG
PT4	4 AWG
PT2	2 AWG
PT1	1 AWG
PT1/0	1/0 AWG
PT2/0	2/0 AWG
PT3/0	3/0 AWG
PT4/0	4/0 AWG
PT250	250 MCM
PT300	300 MCM
PT350	350 MCM
PT400	400 MCM
PT500	500 MCM
PT600	600 MCM
PT750	750 MCM

***EXPANDED WIRE RANGE** when installed with NSI N121D dieless compression tool. UL Listed with other tools:

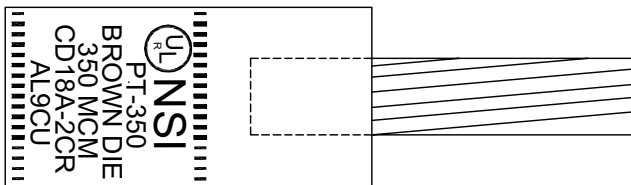
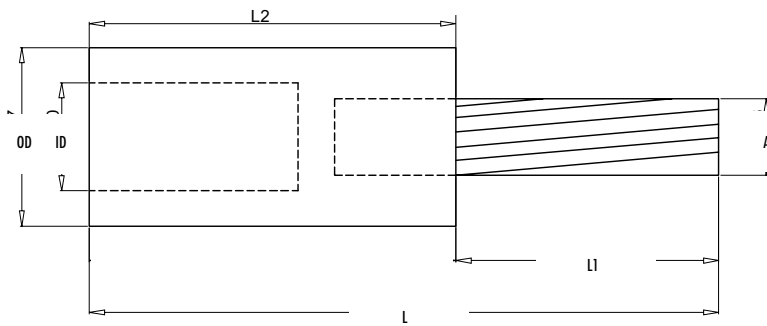
FOR TOOL & DIE CRIMPING INFORMATION, PLEASE SEE TABLE ON PAGE 147



Scan QR to view
Tool & Die Charts



COLOR CODE	PIN SIZE	O.D.	I.D.	PIN DIA. (A)	LENGTH (L)	PIN LENGTH (L1)	BODY LENGTH (L2)	STD. CTN. QTY.
	# 8	0.639	0.186	0.144	2.125	0.875	1.250	25
Tan	# 6	0.630	0.236	0.188	2.450	0.913	1.540	25
Tan	# 4	0.641	0.311	0.228	2.440	0.913	1.527	25
Tan	# 3	0.630	0.350	0.279	2.539	1.003	1.530	10
Tan	# 2	0.900	0.366	0.287	3.405	1.259	2.140	10
White	# 1	0.900	0.429	0.322	3.342	1.251	2.090	10
White	1/0	0.900	0.484	0.362	3.598	1.456	2.140	10
White	2/0	0.900	0.547	0.405	3.523	1.464	2.050	10
Brown	3/0	1.160	0.653	0.440	3.858	1.551	2.300	10
Brown	4/0	1.160	0.653	0.523	4.086	1.696	2.389	10
Brown	4/0	1.157	0.700	0.496	4.082	1.704	2.377	10
Pink	250	1.330	0.759	0.582	4.362	1.984	2.377	10
Pink	350	1.330	0.759	0.681	4.192	1.842	2.350	10
Yellow	350	1.503	0.921	0.688	4.960	1.897	3.051	3
Yellow	500	1.500	1.015	0.787	5.007	2.003	3.015	3



COMPRESSION CONNECTORS

Dual Rated Pin Terminals

PTS, PTO SERIES



FEATURES

SOLID PIN TERMINALS - PTS SERIES

- All-aluminum pin terminal designed for termination of both aluminum and copper conductors. The pin is solid aluminum. The connector is tin plated to provide low contact resistance and oxidation protection. Connector is pre-filled with Oxide Inhibitor and capped with color coded cap indicating color of die to use. A cover is provided for quick installation.

SOLID PIN TERMINALS - PTO SERIES

- All-aluminum pin terminal designed for termination of both aluminum and copper conductors. In addition to above the PTO Series provides an offset termination pin. Pin is offset for use in tight applications while providing ease of installation in side by side applications. The solid pin is made of aluminum and is tin-plated and pre-filled with oxide inhibitor. Great for paralleling cable. A cover is provided for quick insulation.

RATINGS



UL486A/B Listed.

TEMPERATURE RATING:

90 °C.

RATING:

600V.

CRIMP TOOL:

N1240.



Scan QR to view
Tool & Die Charts

All dimensional data is listed in inches.

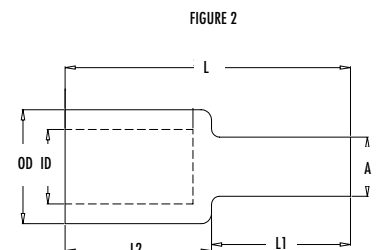
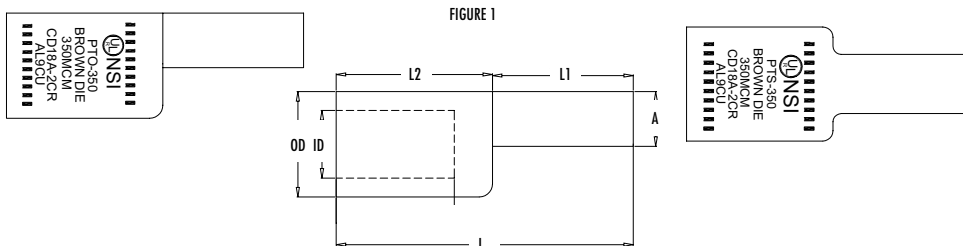
CAT. NO.	WIRE RANGE	FIG NO.
PTS6	6 STR	1
PTS4	4 STR	1
PTS2	2 STR	1
PTS1	1 STR	1
PTS1/0	1/0 STR	1
PTS2/0	2/0 STR	1
PTS3/0	3/0 STR	1
PTS4/0	4/0 STR	1
PTS250	250 MCM	1
PTS300	300 MCM	1
PTS350	350 MCM	1
PTS400	400 MCM	1
PTS500	500 MCM	1
PTS600	600 MCM	1
PTS750	750 MCM	1
PTO-2/0	2/0 AWG	2
PTO-3/0	3/0 AWG	2
PTO-4/0	4/0 AWG	2
PTO-250	250 MCM	2
PTO-300	300 MCM	2
PTO-350	350 MCM	2
PTO-400	400 MCM	2
PTO-500	500 MCM	2
PTO-600	600 MCM	2
PTO-750	750 MCM	2

***EXPANDED WIRE RANGE** when installed with NSI N121D dieless compression tool.
UL Listed with other tools:

**FOR TOOL & DIE CRIMPING INFORMATION,
PLEASE SEE TABLE ON PAGE 147**



COLOR CODE	PIN SIZE	O.D.	I.D.	PIN DIA. (A)	LENGTH (L)	PIN LENGTH (L1)	BODY LENGTH (L2)	STD. CTN. QTY.
Tan	4	0.598	0.220	0.240	1.850	0.681	1.169	25
Tan	4	0.598	0.236	0.240	1.850	0.681	1.169	25
Tan	4	0.598	0.299	0.240	1.840	0.680	1.160	25
Tan	3	0.598	0.318	0.250	1.990	0.830	1.160	10
Tan	2	0.598	0.370	0.290	1.990	0.830	1.160	10
White	1	0.850	0.429	0.330	2.200	0.830	1.370	10
White	1/0	0.850	0.476	0.370	2.590	1.220	1.370	10
White	2/0	0.850	0.535	0.420	2.590	1.220	1.370	10
Brown	3/0	1.090	0.594	0.460	2.620	1.220	1.400	10
Brown	4/0	1.090	0.653	0.530	2.730	1.330	1.400	10
Brown	250	1.090	0.716	0.570	2.730	1.330	1.400	10
Pink	300	1.310	0.763	0.620	3.070	1.590	1.480	10
Pink	350	1.310	0.826	0.680	3.070	1.590	1.480	10
Yellow	400	1.460	0.921	0.720	3.670	1.640	2.030	3
Yellow	500	1.460	1.027	0.810	3.780	1.750	2.030	3
White	1	0.850	0.440	0.330	2.690	1.120	1.570	10
White	1/0	0.850	0.500	0.370	2.800	1.250	1.550	10
White	2/0	0.850	0.547	0.420	2.780	1.270	1.510	10
Brown	3/0	1.090	0.594	0.460	2.780	1.270	1.510	10
Brown	4/0	1.090	0.657	0.530	3.080	1.460	1.620	10
Brown	250	1.090	0.704	0.570	3.080	1.460	1.620	10
Pink	300	1.310	0.763	0.620	3.380	1.680	1.700	10
Pink	350	1.310	0.842	0.680	3.380	1.680	1.700	10
Yellow	400	1.460	0.821	0.720	3.990	1.720	2.270	3
Yellow	500	1.460	1.031	0.810	4.180	1.720	2.460	3



COMPRESSION CONNECTORS
Dual Rated Wide Range
Tap Connectors
and Covers
WRD, C SERIES



DUAL RATED WIDE RANGE TAP CONNECTORS

- For combinations of aluminum and aluminum-copper conductors.
- Standard compression tools and dies install all sizes.
- Formable ribs provide broader contact area.
- Fold-in tabs provide positive tab interlock as tool closes.
- Made from high strength aluminum alloy.
- All connectors are reversible.

RATINGS

RATING:
 600V.

**FOR TOOL & DIE CRIMPING INFORMATION,
 PLEASE SEE TABLE ON PAGE 149**

DUAL RATED INSULATING COVERS

- Hinged polyurethane cover for easy installation of WRD series tap connectors.
- Eliminates taping.
- Drain ports prevent accumulation of moisture.
- Ultraviolet stabilized.



CAT. NO.	CAPACITY	STD. CTN. QTY.
C2	All 5/8" OD. Sleeve 2" long or less	12
C5	All "O" die taps 1 3/4" long or less	12
C7	All "D" die taps 2 1/2" long or less	6
C9	All "N" die taps up to 2" long	4



Scan QR to view
 Tool & Die Charts



CAT. NO.	STANDARD CONDUCTOR RANGE						COMPACT CONDUCTOR				STD. CTN. QTY.
	A GROOVE			B GROOVE			A GROOVE		B GROOVE		
	ACSR	STR	SOL	ACSR	STR	SOL	ACSR	STR	ACSR	STR	
WRD159	-	1	-	-	1	-	1	1	1	1	25
	2	2	2	2	2	2	2	2	2	2	25
	3	3	3	3	3	3	3	3	3	3	25
	4	4	4	4	4	4	4	4	4	4	25
	6	6	6	6	6	6	6	6	6	6	25
WRD189	-	-	3/0	-	-	1/0	-	-	-	-	25
	-	2/0	2/0	-	1	1	2/0	2/0	1	1	25
	1/0	1/0	1/0	2	2	1/0	1/0	2	2	-	25
	1	1	1	3	3	3	1	1	3	3	25
	2	2	-	4	4	4	2	2	4	4	25
	3	-	-	6	6	6	-	-	6	6	25
WRD279	-	-	4/0	-	3/0	3/0	-	-	-	-	25
	-	3/0	3/0	2/0	2/0	2/0	3/0	3/0	3/0	3/0	25
	2/0	2/0	2/0	1/0	1/0	-	2/0	2/0	2/0	2/0	25
	1/0	4/0	-	1	-	-	1/0	1/0	1/0	1/0	25
	1	-	-	-	-	-	-	-	-	-	25
WRD289	-	-	-	-	-	1/0	-	-	-	-	25
	-	-	-	-	1	1	-	-	1	1	25
	-	-	4/0	2	2	2	3/0	3/0	2	2	25
	-	3/0	3/0	3	3	3	2/0	-	3	3	25
	2/0	2/0	-	4	4	4	-	-	4	4	25
WRD379	1/0	-	-	6	6	6	-	-	6	6	25
	-	-	-	-	-	1/0	-	-	-	-	25
	-	-	-	-	1	1	-	-	1	1	25
	-	-	-	2	2	2	266-18/1	266	2	2	25
	4/0	4/0	-	3	3	3	250	250	3	3	25
	3/0	-	-	4	4	4	4/0	4/0	4	4	25
WRD399	-	-	-	6	6	6	-	-	6	6	25
	-	-	-	-	-	3/0	266-18/1	266	-	-	25
	-	-	-	2/0	2/0	2/0	-	250	-	3/0	25
	4/0	4/0	-	1/0	1/0	-	4/0	4/0	2/0	2/0	25
	3/0	3/0	-	1	-	-	3/0	-	1/0	1/0	25
WRD419	-	-	-	-	-	-	266-18/1	266-18/1	266-18/1	266	25
	4/0	4/0	-	4/0	4/0	-	-	250	-	250	25
	3/0	3/0	-	3/0	3/0	-	4/0	4/0	4/0	4/0	25

COMPRESSION CONNECTORS

Dual Rated Wide Range Tap Connectors

WRD SERIES CONTINUED



FEATURES

- For combinations of aluminum and aluminum-copper conductors.
- Standard compression tools and dies install all sizes.
- Formable ribs provide broader contact area.
- Fold-in tabs provide positive tab interlock as tool closes.
- Made from high strength aluminum alloy.
- All connectors are reversible.

RATINGS

RATING:
600V.

FOR TOOL & DIE CRIMPING INFORMATION,
PLEASE SEE TABLE ON PAGE 149



Scan QR to view
Tool & Die Charts



CAT. NO.	STANDARD CONDUCTOR RANGE						COMPACT CONDUCTOR				STD. CTN. QTY.
	A GROOVE			B GROOVE			A GROOVE		B GROOVE		
	ACSR	STR	SOL	ACSR	STR	SOL	ACSR	STR	ACSR	STR	
WRD9	-	-	1	-	8	8	-	-	-	-	50
	3	2	2	-	10	10	-	-	-	-	50
	4	3	3	-	12	12	-	-	-	-	50
	6	4	4	-	14	14	-	-	-	-	50
	6	-	-	-	-	-	-	-	-	-	50
WRD139	-	2/0	-	-	-	-	-	-	-	-	25
	1/0	1/0	-	-	-	-	-	-	-	-	25
	1	1	1	-	-	6	-	-	-	-	25
	2	2	2	-	-	-	-	-	-	-	25
	3	3	-	-	10	10	-	-	-	-	25
	4	-	-	-	-	-	-	-	-	-	25
WRD149	-	-	2	-	-	2	-	2	-	2	25
	-	3	3	-	3	3	-	3	3	3	25
	4	4	4	4	4	4	4	4	4	4	25
	6	6	6	6	6	6	6	6	6	6	25
WRD179	1/0	1/0	-	-	-	2	-	2/0	-	2	25
	1	1	1	-	3	3	1/0	1/0	-	3	25
	2	2	-	4	4	4	1	1	4	4	25
	3	-	-	6	6	6	2	2	6	6	25
WRD199	1/0	1/0	-	-	1	1	-	2/0	1	1	25
	1	1	1	2	2	2	1/0	1/0	2	2	25
	2	2	-	3	3	-	1	1	3	-	25
	3	-	-	4	4	-	2	2	4	-	25
WRD219	1/0	1/0	-	1/0	1/0	-	-	2/0	-	2/0	25
	1	1	-	1	1	-	1/0	1/0	1/0	1/0	25
	-	-	-	2	-	-	-	-	1	-	25
WRD259	-	2/0	-	-	2/0	-	2/0	2/0	2/0	2/0	25
	1/0	1/0	-	1/0	1/0	-	1/0	1/0	1/0	1/0	25
	1	-	-	1	-	-	-	-	-	-	25
WRD299	-	3/0	-	-	-	2	3/0	3/0	-	2	25
	2/0	2/0	-	-	3	3	2/0	-	-	3	25
	1/0	-	-	4	4	4	-	-	4	4	25
	-	-	-	6	6	6	-	-	6	6	25
	-	-	-	-	1/0	-	-	-	-	-	25
WRD359	4/0	4/0	-	1	1	1	266	266	1/0	1/0	25
	3/0	3/0	-	2	2	-	-	250	1	1	25
	-	-	-	3	3	-	4/0	4/0	2	2	25
	-	-	-	4	-	-	3/0	-	-	-	25
WRD369	4/0	4/0	-	1/0	1/0	1/0	266	266	1/0	1/0	25
	3/0	3/0	-	1	1	1	-	250	1	1	25
	2/0	-	-	2	2	2	4/0	4/0	2	2	25
	-	-	-	3	3	-	3/0	3/0	3	-	25
	-	-	-	4	4	-	-	-	4	-	25
WRD389	-	-	-	-	-	-	266	266	-	-	25
	4/0	4/0	-	-	3/0	-	-	250	3/0	3/0	25
	3/0	3/0	-	2/0	2/0	-	4/0	4/0	2/0	-	25
	-	-	-	1/0	-	-	3/0	-	-	-	25

COMPRESSION CONNECTORS

Dual Rated Meter Socket Lugs

CAL SERIES



FEATURES

- Made of dead-soft EC grade aluminum.
- 840 common dies – one die installs on all sizes.
- For aluminum or copper conductors.
- Pre-filled with oxide inhibitor.
- Installing dies (color red): .840, 18, 324, TX, 76, 11A, 249.

RATINGS

Max ampacity is based on NEC 310.15, insulation type, and conductor material. Please consult your current NEC manual.

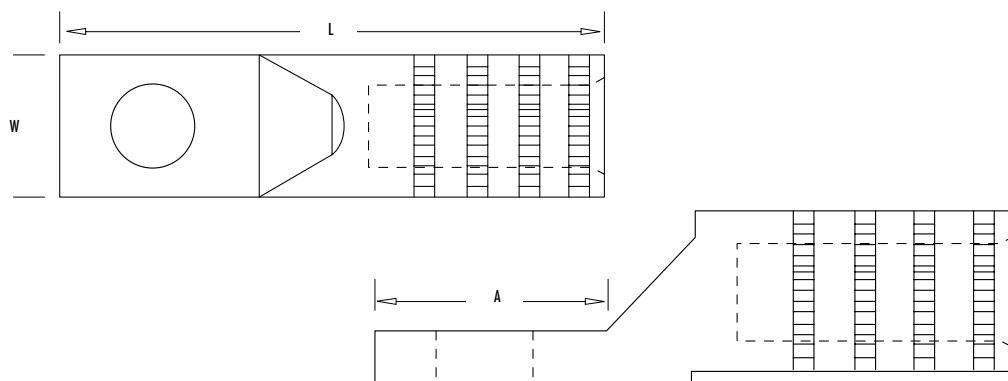
RATING:
600V.

All dimensional data is listed in inches.

CAT. NO.
CAL4
CAL2
CAL1-48
CAL10
CAL20
CAL20-48
CAL30-48
CAL 40
CAL40-48



STRANDED	CONDUCTOR		BOLT SIZE	LENGTH (L)	WIDTH (W)	TANG LENGTH (A)	STD. CTN. QTY.
	SOLID	COMPACT					
4	3	4	3/8	3.250	0.3125	1.3125	12
2	1	2	3/8	3.250	0.3125	1.3125	12
1	1/0	1	1/2	3.250	0.3125	1.3125	12
1/0	2/0	1/0	3/8	3.250	0.3125	1.3125	12
2/0	3/0	2/0	3/8	3.250	0.3125	1.3125	12
2/0	3/0	2/0	1/2	3.250	0.3125	1.3125	12
3/0	4/0	3/0	1/2	3.250	0.3125	1.3125	12
4/0	-	4/0	3/8	3.250	0.3125	1.3125	12
4/0	-	4/0	1/2	3.250	0.3125	1.3125	12



COMPRESSION CONNECTORS

Dual Rated Insulated Service Entrance Sleeves

ISE SERIES



FEATURES

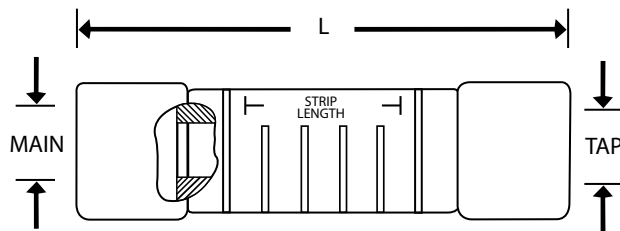
- Pre-insulated service entrance compression sleeves for fast and easy installation with standard tools and dies.
- For combinations of aluminum-aluminum and aluminum-copper conductors.
- Solid center barrier.

RATINGS

Meets or exceeds ANSI C119.4.

Max ampacity is based on NEC 310.15, insulation type, and conductor material. Please consult your current NEC manual.

RATING:
600V



All dimensional data is listed in inches.

CAT. NO.	DIE SIZE	TOOL
ISE61	5/8	OD581
ISE62	5/8	OD581
ISE63	5/8	OD581
ISE64	5/8	OD581
ISE65	5/8	OD581
ISE66	5/8	OD581
ISE67	5/8	OD581
ISE68	5/8	OD581
ISE71	5/8	OD581
ISE72	5/8	OD581
ISE73	5/8	OD581
ISE76	5/8	OD581
ISE77	5/8	OD581
ISE78	5/8	OD581
ISE135	0.840	OD581+BY377C
ISE136	0.840	OD581+BY377C
ISE144	0.840	OD581+BY377C
ISE145	0.840	OD581+BY377C
ISE146	0.840	OD581+BY377C
ISE147	0.840	OD581+BY377C
ISE154	0.840	OD581+BY377C
ISE155	0.840	OD581+BY377C
ISE156	0.840	OD581+BY377C
ISE158	0.840	OD581+BY377C
ISE164	0.840	OD581+BY377C
ISE165	0.840	OD581+BY377C
ISE167	0.840	OD581+BY377C
ISE168	0.840	OD581+BY377C
ISE169	0.840	OD581+BY377C

*compact



CONDUCTOR RANGE MAIN			CONDUCTOR RANGE TAP			LENGTH (L)	STD. CTN. QTY.
ACSR	AWG	COLOR CODE	ACSR	AWG	COLOR CODE		
-	8 STR-6 SOL	Green	-	8 STR-6 SOL	Green	2.780	50
6	6 STR-4 SOL	Blue	-	10 STR-8 SOL	Brown	2.780	50
6	6 STR-4 SOL	Blue	-	8 STR-6 SOL	Green	2.780	50
6	6 STR-4 SOL	Blue	6	6 STR-4 SOL	Blue	2.780	50
4	3-4 STR-2 SOL	Orange	-	10 STR-8 SOL	Brown	2.780	50
4	3-4 STR-2 SOL	Orange	-	8 STR-6 SOL	Green	2.780	50
4	3-4 STR-2 SOL	Orange	6	6 STR-4 SOL	Blue	2.780	50
4	3-4 STR-2 SOL	Orange	4	3-4 STR-2 SOL	Orange	2.780	50
2	1-2 STR	Red	6	6 STR-4 SOL	Blue	2.780	50
2	1-2 STR	Red	4	3-4 STR-2 SOL	Orange	2.780	50
2	1-2 STR	Red	2	1-2 STR	Red	2.780	50
1/0	1/0	Yellow	4	3-4 STR-2 SOL	Orange	2.780	50
1/0	1/0	Yellow	2	1-2 STR	Red	2.780	50
1/0	1/0	Yellow	-	1/0 STR	Yellow	2.780	50
1/0	1/0, 2/0 STR*	Yellow	2	1-2 STR	Red	5.500	12
1/0	1/0, 2/0 STR*	Yellow	1/0	1/0 STR, 2/0 COM	Yellow	5.500	12
2/0	2/0, 3/0 STR*	Gray	4	3-4 STR-2 SOL	Orange	5.500	12
2/0	2/0, 3/0 STR*	Gray	2	1-2 STR	Red	5.500	12
2/0	2/0, 3/0 STR*	Gray	1/0	1/0 STR, 2/0 COM	Yellow	5.500	12
2/0	2/0, 3/0 STR*	Gray	2/0	2/0 STR, 3/0 COM	Gray	5.500	12
3/0	3/0, 4/0 STR*	Black	4	3-4 STR, 2 SOL	Orange	5.500	12
3/0	3/0, 4/0 STR*	Black	2	1-2 STR	Red	5.500	12
3/0	3/0, 4/0 STR*	Black	1/0	1/0 STR, 2/0 COM	Yellow	5.500	12
3/0	3/0, 4/0 STR*	Black	3/0	3/0 STR, 4/0 COM	Black	5.500	12
4/0	4/0 STR	Pink	4	3-4 STR-2 SOL	Orange	5.500	12
4/0	4/0 STR	Pink	2	1-2 STR	Red	5.500	12
4/0	4/0 STR	Pink	2/0	2/0 STR, 3/0 COM	Gray	5.500	12
4/0	4/0 STR	Pink	3/0	3/0 STR, 4/0 COM	Black	5.500	12
4/0	4/0 STR	Pink	4/0	4/0 STR	Pink	5.500	12

COMPRESSION CONNECTORS

Long Barrel One Hole

Copper Lugs

L SERIES



FEATURES

- Produced from high conductivity copper tubing.
- Tin-plated to provide corrosion low contact resistance.
- Marked with die index and color coded.
- Listed for 35KV max when properly installed and to cable manufacturer instructions.
- For applications greater than 2000V, consult the cable manufacturer for voltage stress relief instructions.

NOTE: Part Numbers ending in "P" have a "peep" or sight inspection hole.

RATINGS



UL486A/B Listed.

UL467 Grounding & Bonding (Sizes 8 AWG - 3/0 AWG)

Max ampacity is based on NEC 310.15, insulation type, and conductor material. Please consult your current NEC manual.

* CLASS B OR C BUILDING WIRE CU CABLE ONLY

TEMPERATURE RATING:

90 °C.

RATING:

600V

All dimensional data is listed in inches.

CAT. NO.	WIRE RANGE	EXPANDED WIRE RANGE**
L810	8 AWG	8 - 10 AWG
L810P	8 AWG	8 - 10 AWG
L814	8 AWG	8 - 10 AWG
L814P	8 AWG	8 - 10 AWG
L838	8 AWG	8 - 10 AWG
L838P	8 AWG	8 - 10 AWG
L610	6 AWG	6 - 8 AWG
L614	6 AWG	6 - 8 AWG
L614P	6 AWG	6 - 8 AWG
L638	6 AWG	6 - 8 AWG
L638P	6 AWG	6 - 8 AWG
L656	6 AWG	6 - 8 AWG
L656P	6 AWG	6 - 8 AWG
L410	4 AWG	4 - 6 AWG
L414	4 AWG	4 - 6 AWG
L414P	4 AWG	4 - 6 AWG
L438	4 AWG	4 - 6 AWG
L438P	4 AWG	4 - 6 AWG
L456	4 AWG	4 - 6 AWG
L456P	4 AWG	4 - 6 AWG
L314	3 AWG	3 - 6 AWG
L356	3 AWG	3 - 6 AWG
L338	3 AWG	3 - 6 AWG
L214	2 AWG	2 - 6 AWG
L214P	2 AWG	2 - 6 AWG
L256	2 AWG	2 - 6 AWG
L256P	2 AWG	2 - 6 AWG
L238	2 AWG	2 - 6 AWG
L238P	2 AWG	2 - 6 AWG
L156	1 AWG	1 - 6 AWG
L138	1 AWG	1 - 6 AWG
L1014	1/0 AWG	1/0 - 6 AWG
L1014P	1/0 AWG	1/0 - 6 AWG
L1038	1/0 AWG	1/0 - 6 AWG

***EXPANDED WIRE RANGE** when installed with NSI N121D dieless compression tool. UL Listed with other tools:

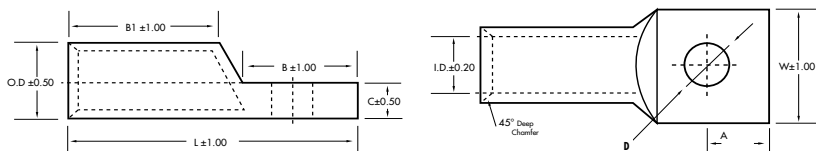
FOR TOOL & DIE CRIMPING INFORMATION, PLEASE SEE TABLE ON PAGE 143



Scan QR to view Tool & Die Charts



BOLT SIZE	I.D.	O.D.	LENGTH (L)	WIDTH (W)	A	B	B1	C	D	COLOR	STD. CTN. QTY.
#10	0.205	0.295	1.520	0.420	0.280	0.590	0.810	0.080	0.210	Red	100
#10	0.205	0.295	1.520	0.420	0.280	0.590	0.810	0.080	0.210	Red	100
1/4"	0.205	0.295	1.520	0.420	0.280	0.590	0.810	0.080	0.252	Red	100
1/4"	0.205	0.295	1.520	0.420	0.280	0.590	0.810	0.080	0.252	Red	100
3/8"	0.205	0.295	1.520	0.420	0.280	0.590	0.810	0.080	0.413	Red	100
3/8"	0.205	0.295	1.520	0.420	0.280	0.590	0.810	0.080	0.413	Red	100
#10	0.205	0.295	1.770	0.420	0.300	0.640	0.980	0.083	0.210	Blue	100
1/4"	0.205	0.295	1.772	0.421	0.295	0.669	0.984	0.083	0.252	Blue	100
1/4"	0.205	0.295	1.772	0.421	0.295	0.669	0.984	0.083	0.252	Blue	100
3/8"	0.205	0.295	1.913	0.591	0.370	0.811	0.984	0.083	0.413	Blue	100
3/8"	0.205	0.295	1.913	0.591	0.370	0.811	0.984	0.083	0.413	Blue	100
5/16"	0.205	0.295	1.910	0.590	0.370	0.810	0.980	0.083	0.330	Blue	100
5/16"	0.205	0.295	1.910	0.590	0.370	0.810	0.980	0.083	0.330	Blue	100
#10	0.252	0.343	1.770	0.488	0.315	0.669	0.980	0.087	0.210	Gray	100
1/4"	0.252	0.343	1.772	0.488	0.315	0.669	0.984	0.087	0.252	Gray	100
1/4"	0.252	0.343	1.772	0.488	0.315	0.669	0.984	0.087	0.252	Gray	100
3/8"	0.252	0.343	1.913	0.591	0.370	0.811	0.984	0.087	0.413	Gray	100
3/8"	0.252	0.343	1.913	0.591	0.370	0.811	0.984	0.087	0.413	Gray	100
5/16"	0.252	0.343	1.772	0.488	0.315	0.669	0.984	0.087	0.331	Gray	100
5/16"	0.252	0.343	1.772	0.488	0.315	0.669	0.984	0.087	0.331	Gray	100
1/4"	0.270	0.377	2.344	0.531	0.323	0.828	1.169	0.097	0.277	White	100
5/16"	0.270	0.377	2.157	0.538	0.346	0.767	1.120	0.091	0.336	White	50
3/8"	0.270	0.377	2.351	0.550	0.418	0.823	1.188	0.083	0.397	White	50
1/4"	0.315	0.421	2.071	0.602	0.206	0.811	1.102	0.102	0.252	Brown	50
1/4"	0.315	0.421	2.071	0.602	0.206	0.811	1.102	0.102	0.252	Brown	50
5/16"	0.315	0.421	2.071	0.602	0.370	0.811	1.102	0.102	0.331	Brown	50
5/16"	0.315	0.421	2.071	0.602	0.370	0.811	1.102	0.102	0.331	Brown	50
3/8"	0.315	0.421	2.071	0.602	0.370	0.811	1.102	0.102	0.413	Brown	50
3/8"	0.315	0.421	2.071	0.602	0.370	0.811	1.102	0.102	0.413	Brown	50
5/16"	0.358	0.469	2.110	0.673	0.370	0.811	1.102	0.106	0.331	Green	50
3/8"	0.358	0.469	2.209	0.673	0.370	0.811	1.102	0.106	0.413	Green	50
1/4"	0.390	0.520	2.210	0.744	0.370	0.811	1.201	0.126	0.210	Pink	50
1/4"	0.390	0.520	2.210	0.744	0.370	0.811	1.201	0.126	0.210	Pink	50
3/8"	0.390	0.520	2.209	0.744	0.370	0.811	1.201	0.126	0.413	Pink	50



COMPRESSION CONNECTORS

Long Barrel One Hole

Copper Lugs

L SERIES CONTINUED



FEATURES

- Produced from high conductivity copper tubing.
- Tin-plated to provide corrosion low contact resistance.
- Marked with die index and color coded.
- Listed for 35KV max when properly installed and to cable manufacturer instructions
- For applications greater than 2000V, consult the cable manufacturer for voltage stress relief instructions.

NOTE: Part Numbers ending in "P" have a "peep" or sight inspection hole.

RATINGS



UL486A/B Listed.

UL467 Grounding & Bonding (Sizes 8 AWG - 3/0 AWG)

Max ampacity is based on NEC 310.15, insulation type, and conductor material. Please consult your current NEC manual.

* CLASS B OR C BUILDING WIRE CU CABLE ONLY

TEMPERATURE RATING:

90 °C.

RATING:

600V

All dimensional data is listed in inches.

CAT. NO.	WIRE RANGE	EXPANDED WIRE RANGE*
L1038P	1/0 AWG	1/0 - 6 AWG
L1056	1/0 AWG	1/0 - 6 AWG
L1056P	1/0 AWG	1/0 - 6 AWG
L1048	1/0 AWG	1/0 - 6 AWG
L2014	2/0 AWG	2/0 - 4 AWG
L2014P	2/0 AWG	2/0 - 4 AWG
L2038	2/0 AWG	2/0 - 4 AWG
L2038P	2/0 AWG	2/0 - 4 AWG
L2048	2/0 AWG	2/0 - 4 AWG
L2048P	2/0 AWG	2/0 - 4 AWG
L3014	3/0 AWG	3/0 - 2 AWG
L3014P	3/0 AWG	3/0 - 2 AWG
L3038	3/0 AWG	3/0 - 2 AWG
L3038P	3/0 AWG	3/0 - 2 AWG
L3048	3/0 AWG	3/0 - 2 AWG
L3048P	3/0 AWG	3/0 - 2 AWG
L4014	4/0 AWG	4/0 - 1 AWG
L4014P	4/0 AWG	4/0 - 1 AWG
L4038	4/0 AWG	4/0 - 1 AWG
L4038P	4/0 AWG	4/0 - 1 AWG
L4048	4/0 AWG	4/0 - 1 AWG
L4048P	4/0 AWG	4/0 - 1 AWG
L25048	250 MCM	250 MCM - 1/0 AWG
L30048	300 MCM	300 MCM - 2/0 AWG
L35048	350 MCM	350 MCM - 3/0 AWG
L40048	400 MCM	400 MCM - 4/0 AWG
L50048	500 MCM	500 - 250 MCM
L50058	500 MCM	500 - 250 MCM
L60058	600 MCM	600 - 250 MCM
L75048	750 MCM	750 - 500 MCM
L75058	750 MCM	750 - 500 MCM
L10058	1000 MCM	-

*EXPANDED WIRE RANGE when installed with NSI N121D dieless compression tool. UL Listed with other tools:

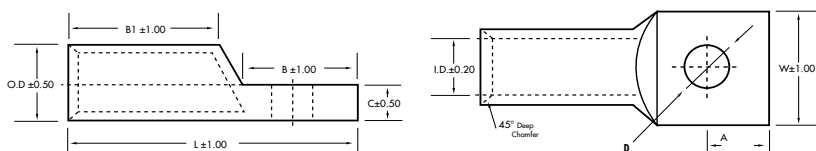
FOR TOOL & DIE CRIMPING INFORMATION, PLEASE SEE TABLE ON PAGE 143



Scan QR to view Tool & Die Charts



BOLT SIZE (IN.)	I.D.	O.D.	LENGTH (L)	WIDTH (W)	A	B	B1	C	D	COLOR	STD. CTN. QTY.
3/8"	0.390	0.520	2.209	0.744	0.370	0.811	1.201	0.126	0.413	Pink	50
5/16"	0.390	0.520	2.210	0.744	0.370	0.811	1.201	0.126	0.330	Pink	50
5/16"	0.390	0.520	2.210	0.744	0.370	0.811	1.201	0.126	0.330	Pink	50
1/2"	0.390	0.520	2.500	0.744	0.472	1.063	1.201	0.126	0.512	Pink	50
1/4"	0.441	0.563	2.677	0.815	0.472	1.063	1.378	0.118	0.252	Black	25
1/4"	0.441	0.563	2.677	0.815	0.472	1.063	1.378	0.118	0.252	Black	25
3/8"	0.441	0.563	2.677	0.815	0.472	1.063	1.378	0.118	0.413	Black	25
3/8"	0.441	0.563	2.677	0.815	0.472	1.063	1.378	0.118	0.413	Black	25
1/2"	0.441	0.563	2.677	0.815	0.472	1.063	1.378	0.118	0.512	Black	25
1/2"	0.441	0.563	2.677	0.815	0.472	1.063	1.378	0.118	0.512	Black	25
1/4"	0.492	0.622	2.795	0.902	0.472	1.063	1.378	0.126	0.252	Orange	25
1/4"	0.492	0.622	2.795	0.902	0.472	1.063	1.378	0.126	0.252	Orange	25
3/8"	0.492	0.622	2.795	0.902	0.472	1.063	1.378	0.126	0.413	Orange	25
3/8"	0.492	0.622	2.795	0.902	0.472	1.063	1.378	0.126	0.413	Orange	25
1/2"	0.492	0.622	2.795	0.902	0.472	1.063	1.378	0.126	0.512	Orange	25
1/2"	0.492	0.622	2.795	0.902	0.472	1.063	1.378	0.126	0.512	Orange	25
1/4"	0.547	0.689	2.795	1.000	0.520	1.063	1.417	0.134	0.252	Purple	25
1/4"	0.547	0.689	2.795	1.000	0.520	1.063	1.417	0.134	0.252	Purple	25
3/8"	0.547	0.689	2.795	1.000	0.520	1.063	1.417	0.134	0.413	Purple	25
3/8"	0.547	0.689	2.795	1.000	0.520	1.063	1.417	0.134	0.413	Purple	25
1/2"	0.547	0.689	2.795	1.000	0.520	1.063	1.417	0.134	0.512	Purple	25
1/2"	0.547	0.689	2.795	1.000	0.520	1.063	1.417	0.134	0.512	Purple	25
1/2"	0.594	0.752	3.031	1.091	0.520	1.063	1.614	0.150	0.512	Yellow	25
1/2"	0.657	0.815	3.386	1.189	0.520	1.063	1.969	0.150	0.512	White	12
1/2"	0.701	0.874	3.465	1.276	0.520	1.063	1.969	0.165	0.512	Red	12
1/2"	0.764	0.949	3.858	1.386	0.512	1.378	1.969	0.177	0.512	Blue	6
1/2"	0.835	1.063	4.134	1.539	0.512	1.378	2.244	0.217	0.512	Brown	6
5/8"	0.835	1.063	4.134	1.539	0.512	1.378	2.244	0.217	0.669	Brown	6
5/8"	0.925	1.189	4.252	1.717	0.689	1.457	2.244	0.252	0.669	Green	6
1/2"	1.031	1.311	5.157	1.902	0.689	1.850	2.638	0.268	0.512	Black	3
5/8"	1.031	1.311	5.157	1.902	0.689	1.850	2.638	0.268	0.669	Black	3
5/8"	1.184	1.494	5.613	2.148	0.866	1.776	2.603	0.328	0.663	White	3



COMPRESSION CONNECTORS

Long Barrel Copper Lugs

Two Hole

LN SERIES



FEATURES

- Produced from high conductivity copper tubing.
- Allows easy inspection of the termination to assure complete cable insertion.
- Tin-plated to provide corrosion and low contact resistance.
- Marked with die index and color coded.
- Listed for 35KV maximum when properly installed.
- For applications greater than 2000V, installed to cable manufacturer for voltage stress relief instructions.
- Additional mounting hole spacing options available on request.

NOTE: Part Numbers ending in "P" have a "peep" or sight inspection hole.

RATINGS



UL486A/B Listed.

UL467 Grounding & Bonding (Sizes 8 AWG - 3/0 AWG)

Max ampacity is based on NEC 310.15, insulation type, and conductor material. Please consult your current NEC manual.

* CLASS B OR C BUILDING WIRE CU CABLE ONLY

TEMPERATURE RATING:

90 °C.

RATING:

600V



Scan QR to view
Tool & Die Charts

All dimensional data is listed in inches.

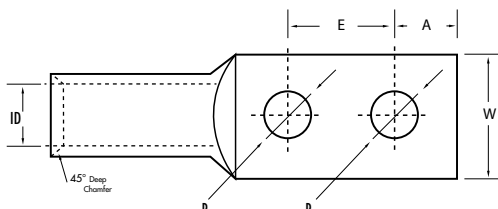
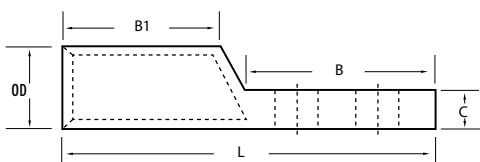
CAT. NO.	WIRE RANGE	EXPANDED WIRE RANGE*
L8N-14	8 AWG	8 - 10 AWG
L8N-14P	8 AWG	8 - 10 AWG
L8N-141	8 AWG	8 - 10 AWG
L8N-141P	8 AWG	8 - 10 AWG
L8N-142	8 AWG	8 - 10 AWG
L8N-142P	8 AWG	8 - 10 AWG
L8N-38	8 AWG	8 - 10 AWG
L8N-38P	8 AWG	8 - 10 AWG
L8N-383	8 AWG	8 - 10 AWG
L8N-383P	8 AWG	8 - 10 AWG
L8N-563	8 AWG	8 - 10 AWG
L8N-563P	8 AWG	8 - 10 AWG
L6N-12	6 AWG	6 - 8 AWG
L6N-14	6 AWG	6 - 8 AWG
L6N-14P	6 AWG	6 - 8 AWG
L6N-141	6 AWG	6 - 8 AWG
L6N-141P	6 AWG	6 - 8 AWG
L6N-142	6 AWG	6 - 8 AWG
L6N-142P	6 AWG	6 - 8 AWG
L6N-38	6 AWG	6 - 8 AWG
L6N-38P	6 AWG	6 - 8 AWG
L6N-382	6 AWG	6 - 8 AWG
L6N-382P	6 AWG	6 - 8 AWG
L6N	6 AWG	6 - 8 AWG
L6NP	6 AWG	6 - 8 AWG
L4N-14	4 AWG	4 - 6 AWG
L4N-14P	4 AWG	4 - 6 AWG
L4N-141	4 AWG	4 - 6 AWG
L4N-141P	4 AWG	4 - 6 AWG
L4N-142	4 AWG	4 - 6 AWG
L4N-142P	4 AWG	4 - 6 AWG
L4N-38	4 AWG	4 - 6 AWG
L4N-38P	4 AWG	4 - 6 AWG
L4N-382	4 AWG	4 - 6 AWG
L4N-382P	4 AWG	4 - 6 AWG
L4N	4 AWG	4 - 6 AWG

*EXPANDED WIRE RANGE when installed with NSI N12ID dieless compression tool. UL Listed with other tools:

FOR TOOL & DIE CRIMPING INFORMATION, PLEASE SEE TABLE ON PAGE 143



COLOR	BOLT SIZE	MTG. HOLE SPACING (E)	I.D.	O.D.	LENGTH (L)	WIDTH (W) (IN.)	END OF CONN TO CTR. (A)	TANG LENGTH (B)	BARREL LENGTH (B1)	TANG THICKNESS (C)	MTG. HOLE DIA. (D)	STD. CTN. QTY.
Red	1/4"	1.000	0.205	0.295	2.240	0.420	0.280	1.140	0.980	0.080	0.261	100
Red	1/4"	1.000	0.205	0.295	2.240	0.420	0.280	1.140	0.980	0.080	0.261	100
Red	1/4"	0.625	0.205	0.295	2.240	0.420	0.280	1.140	0.980	0.080	0.261	100
Red	1/4"	0.625	0.205	0.295	2.240	0.420	0.280	1.140	0.980	0.080	0.261	100
Red	1/4"	0.750	0.205	0.295	2.240	0.420	0.280	1.140	0.980	0.080	0.261	100
Red	1/4"	0.750	0.205	0.295	2.240	0.420	0.280	1.140	0.980	0.080	0.261	100
Red	3/8"	1.000	0.205	0.295	2.240	0.420	0.280	1.140	0.980	0.080	0.410	100
Red	3/8"	1.000	0.205	0.295	2.240	0.420	0.280	1.140	0.980	0.080	0.410	100
Red	3/8"	1.750	0.205	0.295	2.240	0.420	0.280	1.140	0.980	0.080	0.410	100
Red	3/8"	1.750	0.205	0.295	2.240	0.420	0.280	1.140	0.980	0.080	0.410	100
Blue	5/16"	1.750	0.205	0.295	2.240	0.420	0.280	1.140	0.980	0.080	0.312	100
Blue	5/16"	1.750	0.205	0.295	2.240	0.420	0.280	1.140	0.980	0.080	0.312	100
Blue	1/4"	0.500	0.200	0.300	2.240	0.420	0.280	1.140	0.980	0.080	0.261	100
Blue	1/4"	0.625	0.200	0.300	2.360	0.420	0.280	1.260	0.980	0.080	0.261	100
Blue	1/4"	0.625	0.200	0.300	2.360	0.420	0.280	1.260	0.980	0.080	0.261	100
Blue	1/4"	0.625	0.200	0.300	2.480	0.420	1.260	1.380	0.980	0.080	0.261	100
Blue	1/4"	0.625	0.200	0.300	2.480	0.420	1.260	1.380	0.980	0.080	0.261	100
Blue	1/4"	0.750	0.200	0.300	2.480	0.420	0.280	1.380	0.980	0.080	0.261	100
Blue	1/4"	0.750	0.200	0.300	2.480	0.420	0.280	1.380	0.980	0.080	0.261	100
Blue	3/8"	1.000	0.200	0.300	2.910	0.420	0.380	1.810	0.980	0.080	0.410	100
Blue	3/8"	1.000	0.200	0.300	2.910	0.420	0.380	1.810	0.980	0.080	0.410	100
Blue	3/8"	0.750	0.200	0.300	4.090	0.870	0.620	2.990	0.980	0.120	0.410	100
Blue	3/8"	0.750	0.200	0.300	4.090	0.870	0.620	2.990	0.980	0.120	0.410	100
Blue	1/2"	1.750	0.200	0.300	4.090	0.870	0.620	2.990	0.980	0.120	0.510	100
Blue	1/2"	1.750	0.200	0.300	4.090	0.870	0.620	2.990	0.980	0.120	0.510	100
Gray	1/4"	0.625	0.250	0.340	2.360	0.490	0.280	1.260	0.980	0.090	0.261	100
Gray	1/4"	0.625	0.250	0.340	2.360	0.490	0.280	1.260	0.980	0.090	0.261	100
Gray	1/4"	0.625	0.250	0.340	2.95	0.420	0.380	1.810	0.980	0.90	0.261	100
Gray	1/4"	0.625	0.250	0.340	2.950	0.420	0.380	1.810	0.980	0.090	0.261	100
Gray	1/4"	0.625	0.250	0.340	2.95	0.420	0.380	1.810	0.980	0.90	0.261	100
Gray	1/4"	0.625	0.250	0.340	2.950	0.420	0.380	1.810	0.980	0.090	0.261	100
Gray	3/8"	1.000	0.250	0.340	2.950	0.420	0.380	1.810	0.980	0.090	0.410	100
Gray	3/8"	1.000	0.250	0.340	2.950	0.420	0.380	1.810	0.980	0.090	0.410	100
Gray	3/8"	0.750	0.250	0.340	4.090	0.870	0.620	2.990	0.980	0.120	0.410	100
Gray	3/8"	0.750	0.250	0.340	4.090	0.870	0.620	2.990	0.980	0.120	0.410	100
Gray	1/2"	1.750	0.250	0.340	4.090	0.870	0.620	2.990	0.980	0.120	0.510	100



COMPRESSION CONNECTORS

Long Barrel Copper Lugs

Two Hole

LN SERIES CONTINUED



FEATURES

- Produced from high conductivity copper tubing.
- Allows easy inspection of the termination to assure complete cable insertion.
- Tin-plated to provide corrosion and low contact resistance.
- Marked with die index and color coded.
- Listed for 35KV maximum when properly installed.
- For applications greater than 2000V, installed to cable manufacturer for voltage stress relief instructions.
- Additional mounting hole spacing options available on request.

NOTE: Part Numbers ending in "P" have a "peep" or sight inspection hole.

RATINGS



UL486A/B Listed.

UL467 Grounding & Bonding (Sizes 8 AWG - 3/0 AWG)

Max ampacity is based on NEC 310.15, insulation type, and conductor material. Please consult your current NEC manual.

* CLASS B OR C BUILDING WIRE CU CABLE ONLY

TEMPERATURE RATING:

90 °C.

RATING:

600V

All dimensional data is listed in inches.

CAT. NO.	WIRE RANGE	EXPANDED WIRE RANGE*
L4N-P	4 AWG	4 - 6 AWG
L2N-14	2 AWG	2 - 6 AWG
L2N-14P	2 AWG	2 - 6 AWG
L2N-141	2 AWG	2 - 6 AWG
L2N-141P	2 AWG	2 - 6 AWG
L2N-142	2 AWG	2 - 6 AWG
L2N-38	2 AWG	2 - 6 AWG
L2N-38P	2 AWG	2 - 6 AWG
L2N-382	2 AWG	2 - 6 AWG
L2N-382P	2 AWG	2 - 6 AWG
L2N-383	2 AWG	2 - 6 AWG
L2N-383P	2 AWG	2 - 6 AWG
L2N-56	2 AWG	2 - 6 AWG
L2N	2 AWG	2 - 6 AWG
L2N-P	2 AWG	2 - 6 AWG
L1N-141	1 AWG	1 - 6 AWG
L1N-38	1 AWG	1 - 6 AWG
L1N-56	1 AWG	1 - 6 AWG
L1N	1 AWG	1 - 6 AWG
L10N-14	1/0 AWG	1/0 - 6 AWG
L10N-14P	1/0 AWG	1/0 - 6 AWG
L10N-38	1/0 AWG	1/0 - 6 AWG
L10N-38P	1/0 AWG	1/0 - 6 AWG
L10N-382	1/0 AWG	1/0 - 6 AWG
L10N-382P	1/0 AWG	1/0 - 6 AWG
L10N-383	1/0 AWG	1/0 - 6 AWG
L10N-383P	1/0 AWG	1/0 - 6 AWG
L10N	1/0 AWG	1/0 - 6 AWG
L10N-P	1/0 AWG	1/0 - 6 AWG
L20N-14	2/0 AWG	2/0 - 4 AWG
L20N-141	2/0 AWG	2/0 - 4 AWG
L20N-141P	2/0 AWG	2/0 - 4 AWG
L20N-142	2/0 AWG	2/0 - 4 AWG
L20N-14P	2/0 AWG	2/0 - 4 AWG

*EXPANDED WIRE RANGE when installed with NSI NT21D dieless compression tool. UL Listed with other tools:

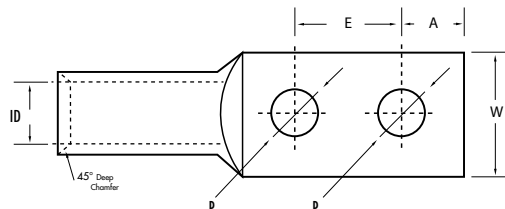
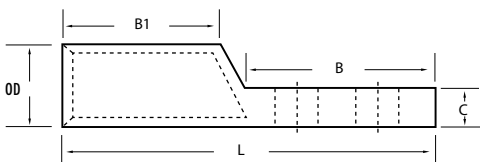
FOR TOOL & DIE CRIMPING INFORMATION, PLEASE SEE TABLE ON PAGE 143



Scan QR to view Tool & Die Charts



COLOR	BOLT SIZE	MTG. HOLE SPACING (E) (IN.)	I.D.	O.D.	LENGTH (L)	WIDTH (W) (IN.)	END OF CONN TO CTR. (A) (IN.)	TANG LENGTH (B) (IN.)	BARREL LENGTH (BT) (IN.)	TANG THICKNESS (C) (IN.)	MTG. HOLE DIA. (D) (IN.)	STD. CTN. QTY.
Gray	1/2"	1.750	0.250	0.340	4.090	0.870	0.620	2.990	0.980	0.120	0.510	100
Brown	1/4"	1.000	0.310	0.420	2.520	0.600	0.280	1.260	1.100	0.100	0.252	50
Brown	1/4"	1.000	0.310	0.420	2.520	0.600	0.280	1.260	1.100	0.100	0.252	50
Brown	1/4"	0.625	0.310	0.420	2.520	0.600	0.280	1.260	1.100	0.100	0.250	50
Brown	1/4"	0.625	0.310	0.420	2.520	0.600	0.280	1.260	1.100	0.100	0.250	50
Brown	1/4"	0.750	0.310	0.420	2.640	0.600	0.280	1.380	1.100	0.100	0.250	50
Brown	3/8"	1.000	0.310	0.420	3.070	0.600	0.380	1.810	1.100	0.100	0.410	50
Brown	3/8"	1.000	0.310	0.420	3.070	0.600	0.380	1.810	1.100	0.100	0.410	50
Brown	3/8"	0.750	0.310	0.420	4.250	0.810	0.620	2.990	1.100	0.100	0.410	50
Brown	3/8"	0.750	0.310	0.420	4.250	0.810	0.620	2.990	1.100	0.100	0.410	50
Brown	3/8"	1.750	0.310	0.420	4.250	0.810	0.620	2.990	1.100	0.100	0.410	50
Brown	3/8"	1.750	0.310	0.420	4.250	0.810	0.620	2.990	1.100	0.100	0.410	50
Brown	5/16"	0.750	0.310	0.420	2.870	0.600	0.320	1.610	1.100	0.100	0.330	50
Brown	1/2"	1.750	0.310	0.420	4.250	0.810	0.620	2.990	1.100	0.100	0.510	50
Brown	1/2"	1.750	0.310	0.420	4.250	0.810	0.620	2.990	1.100	0.100	0.510	50
Green	1/4"	0.630	0.360	0.470	2.560	0.670	0.280	1.260	1.100	0.110	0.250	50
Green	3/8"	1.000	0.360	0.470	3.070	0.670	0.380	1.810	1.100	0.110	0.410	50
Green	5/16"	0.870	0.360	0.470	2.930	0.670	0.320	1.610	1.100	0.110	0.330	50
Green	1/2"	1.750	0.360	0.470	4.290	0.750	0.620	2.990	1.100	0.100	0.510	50
Pink	1/4"	1.000	0.390	0.520	3.210	0.740	0.380	1.810	1.200	0.130	0.252	50
Pink	1/4"	1.000	0.390	0.520	3.210	0.740	0.380	1.810	1.200	0.130	0.252	50
Pink	3/8"	1.000	0.390	0.520	3.210	0.740	0.380	1.810	1.200	0.130	0.410	50
Pink	3/8"	1.000	0.390	0.520	3.210	0.740	0.380	1.810	1.200	0.130	0.410	50
Pink	3/8"	0.750	0.390	0.520	4.630	0.740	0.620	2.990	1.200	0.120	0.410	50
Pink	3/8"	0.750	0.390	0.520	4.630	0.740	0.620	2.990	1.200	0.120	0.410	50
Pink	3/8"	1.750	0.390	0.520	4.630	0.740	0.620	2.990	1.200	0.120	0.410	50
Pink	3/8"	1.750	0.390	0.520	4.630	0.740	0.620	2.990	1.200	0.120	0.410	50
Pink	1/2"	1.750	0.390	0.520	4.630	0.740	0.620	2.990	1.200	0.120	0.510	50
Pink	1/2"	1.750	0.390	0.520	4.630	0.740	0.620	2.990	1.200	0.120	0.510	50
Black	1/4"	0.625	0.440	0.560	2.990	0.810	0.280	1.380	1.380	0.120	0.252	25
Black	1/4"	0.625	0.440	0.560	2.990	0.810	0.280	1.380	1.380	0.120	0.252	25
Black	1/4"	0.750	0.440	0.560	2.990	0.810	0.280	1.380	1.380	0.120	0.252	25
Black	1/4"	0.750	0.440	0.560	2.990	0.810	0.280	1.380	1.380	0.120	0.250	25
Black	1/4"	0.625	0.440	0.560	2.990	0.810	0.280	1.380	1.380	0.120	0.252	25



COMPRESSION CONNECTORS

Long Barrel Copper Lugs

Two Hole

LN SERIES CONTINUED



FEATURES

- Produced from high conductivity copper tubing.
- Allows easy inspection of the termination to assure complete cable insertion.
- Tin-plated to provide corrosion and low contact resistance.
- Marked with die index and color coded.
- Listed for 35KV maximum when properly installed.
- For applications greater than 2000V, installed to cable manufacturer for voltage stress relief instructions.
- Additional mounting hole spacing options available on request.

NOTE: Part Numbers ending in "P" have a "peep" or sight inspection hole.

RATINGS



UL486A/B Listed.

UL467 Grounding & Bonding (Sizes 8 AWG - 3/0 AWG)

Max ampacity is based on NEC 310.15, insulation type, and conductor material. Please consult your current NEC manual.

* CLASS B OR C BUILDING WIRE CU CABLE ONLY

TEMPERATURE RATING:

90 °C.

RATING:

600V

All dimensional data is listed in inches.

CAT. NO.	WIRE RANGE	EXPANDED WIRE RANGE *
L20N-38	2/0 AWG	2/0 - 4 AWG
L20N-38P	2/0 AWG	2/0 - 4 AWG
L20N-383	2/0 AWG	2/0 - 4 AWG
L20N-383P	2/0 AWG	2/0 - 4 AWG
L20N	2/0 AWG	2/0 - 4 AWG
L20NP	2/0 AWG	2/0 - 4 AWG
L30N-141	3/0 AWG	3/0 - 2 AWG
L30N-141P	3/0 AWG	3/0 - 2 AWG
L30N-38	3/0 AWG	3/0 - 2 AWG
L30N-38P	3/0 AWG	3/0 - 2 AWG
L30N-56	3/0 AWG	3/0 - 2 AWG
L30N-56P	3/0 AWG	3/0 - 2 AWG
L30N	3/0 AWG	3/0 - 2 AWG
L30NP	3/0 AWG	3/0 - 2 AWG
L40N-141	4/0 AWG	4/0 - 1 AWG
L40N-141P	4/0 AWG	4/0 - 1 AWG
L40N-142	4/0 AWG	4/0 - 1 AWG
L40N-142P	4/0 AWG	4/0 - 1 AWG
L40N-38	4/0 AWG	4/0 - 1 AWG
L40N-38P	4/0 AWG	4/0 - 1 AWG
L40N-383	4/0 AWG	4/0 - 1 AWG
L40N-383P	4/0 AWG	4/0 - 1 AWG
L40N	4/0 AWG	4/0 - 1 AWG
L40NP	4/0 AWG	4/0 - 1 AWG
L250N	250 MCM	250 MCM - 1/0 AWG
L250N-38	250 MCM	250 MCM - 1/0 AWG
L300N	300 MCM	300 MCM - 2/0 AWG
L350N	350 MCM	350 MCM - 3/0 AWG
L350N-38	350 MCM	350 MCM - 3/0 AWG
L400N	400 MCM	400 MCM - 4/0 AWG
L500N	500 MCM	500 - 250 MCM
L500N-38	500 MCM	500 - 250 MCM
L600N	600 MCM	600 - 250 MCM
L600N-38	600 MCM	600 - 250 MCM
L750N	750 MCM	750 - 500 MCM
L750N-38	750 MCM	750 - 500 MCM
L1000N	1000 MCM	

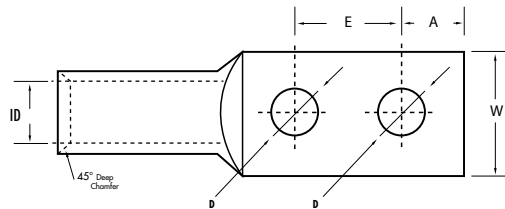
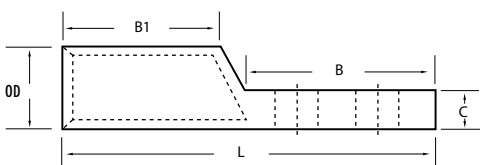
FOR TOOL & DIE CRIMPING INFORMATION,
PLEASE SEE TABLE ON PAGE 143



Scan QR to view
Tool & Die Charts



COLOR	BOLT SIZE	MTG. HOLE SPACING (E)	I.D.	O.D.	LENGTH (L)	WIDTH (W)	END OF CONN TO CTR. (A)	TANG LENGTH (B)	BARREL LENGTH (B1)	TANG THICKNESS (C)	MTG. HOLE DIA. (D)	STD. CTN. QTY.
Black	3/8"	1.000	0.440	0.560	3.430	0.810	0.380	1.810	1.380	0.120	0.410	25
Black	3/8"	1.000	0.440	0.560	3.430	0.810	0.380	1.810	1.380	0.120	0.410	25
Black	3/8"	1.750	0.440	0.560	3.430	0.810	0.380	1.810	1.380	0.120	0.410	25
Black	3/8"	1.750	0.440	0.560	3.430	0.810	0.380	1.810	1.380	0.120	0.410	25
Black	1/2"	1.750	0.440	0.560	4.610	0.810	0.620	2.990	1.380	0.120	0.510	25
Black	1/2"	1.750	0.440	0.560	4.610	0.810	0.620	2.990	1.380	0.120	0.510	25
Orange	1/4"	0.625	0.490	0.620	3.500	0.900	0.380	1.810	1.380	0.130	0.252	25
Orange	1/4"	0.625	0.490	0.620	3.500	0.900	0.380	1.810	1.380	0.130	0.252	25
Orange	3/8"	1.000	0.490	0.620	3.500	0.900	0.380	1.810	1.380	0.130	0.410	25
Orange	3/8"	1.000	0.490	0.620	3.500	0.900	0.380	1.810	1.380	0.130	0.410	25
Orange	5/16"	1.000	0.490	0.620	4.650	0.900	0.620	2.990	1.380	0.130	0.312	25
Orange	5/16"	1.000	0.490	0.620	4.650	0.900	0.620	2.990	1.380	0.130	0.312	25
Orange	1/2"	1.750	0.490	0.620	4.650	0.900	0.620	2.990	1.380	0.130	0.510	25
Orange	1/2"	1.750	0.490	0.620	4.650	0.900	0.620	2.990	1.380	0.130	0.510	25
Purple	1/4"	0.625	0.550	0.690	3.540	1.000	0.380	1.810	1.420	0.130	0.252	25
Purple	1/4"	0.625	0.550	0.690	3.540	1.000	0.380	1.810	1.420	0.130	0.252	25
Purple	1/4"	0.750	0.550	0.690	3.540	1.000	0.380	1.810	1.420	0.130	0.252	25
Purple	1/4"	0.750	0.550	0.690	3.540	1.000	0.380	1.810	1.420	0.130	0.252	25
Purple	3/8"	1.000	0.550	0.690	3.540	1.000	0.380	1.810	1.420	0.130	0.410	25
Purple	3/8"	1.000	0.550	0.690	3.540	1.000	0.380	1.810	1.420	0.130	0.410	25
Purple	3/8"	1.750	0.550	0.690	3.540	1.000	0.380	1.810	1.420	0.130	0.410	25
Purple	3/8"	1.750	0.550	0.690	3.540	1.000	0.380	1.810	1.420	0.130	0.410	25
Purple	1/2"	1.750	0.550	0.690	4.720	1.000	0.620	2.990	1.420	0.130	0.510	25
Purple	1/2"	1.750	0.550	0.690	4.720	1.000	0.620	2.990	1.420	0.130	0.510	25
Yellow	1/2"	1.750	0.590	0.750	4.960	1.090	0.620	2.990	1.610	0.150	0.510	25
Yellow	3/8"	1.000	0.590	0.750	3.780	1.090	0.380	1.810	1.610	0.150	0.410	25
White	1/2"	1.750	0.660	0.810	5.310	1.190	0.620	2.990	1.970	0.150	0.510	12
Red	1/2"	1.750	0.700	0.870	5.390	1.280	0.620	2.990	1.970	0.170	0.510	12
Red	3/8"	1.000	0.700	0.870	4.210	1.280	0.380	1.810	1.970	0.170	0.410	12
Blue	1/2"	1.750	0.760	0.950	5.470	1.390	0.620	2.990	1.970	0.180	0.510	6
Brown	1/2"	1.750	0.840	1.060	5.750	1.540	0.620	2.990	2.240	0.220	0.510	6
Brown	3/8"	1.000	0.840	1.060	4.570	1.540	0.380	1.810	2.240	0.220	0.410	6
Green	1/2"	1.750	0.930	1.190	5.790	1.720	0.620	2.990	2.240	0.250	0.510	6
Green	3/8"	1.000	0.930	1.190	4.610	1.720	0.380	1.810	2.240	0.250	0.410	6
Black	1/2"	1.750	1.040	1.310	6.300	1.900	0.620	2.990	2.640	0.270	0.510	3
Black	3/8"	1.000	1.040	1.310	5.120	1.900	0.380	1.810	2.640	0.270	0.410	3
White	1/2"	1.750	1.150	1.500	7.125	2.160	0.630	3.060	3.160	0.340	0.510	3



COMPRESSION CONNECTORS

Long Barrel Stacking

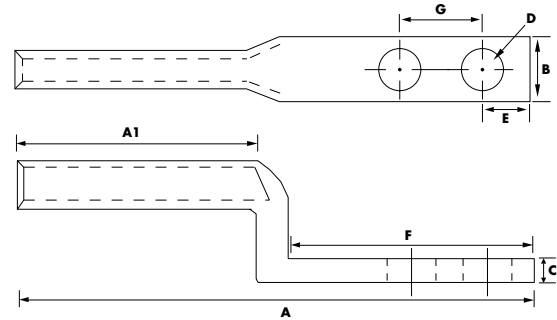
Copper Lugs

SL-N SERIES



FEATURES

- Designed for use with the L-N Series.
- Produced from high conductivity copper tubing for heavy duty applications.
- Tin-Plated to provide corrosion resistance.
- Marked with die index and color coded.
- Additional hole spacing options available on request.
- For use with LN Series.



RATINGS



TEMPERATURE RATING:
90 °C.

RATING:
600V.

Max ampacity is based on NEC 310.15, insulation type, and conductor material. Please consult your current NEC manual.

* CLASS B OR C BUILDING WIRE CU CABLE ONLY

All dimensional data is listed in inches.

CAT. NO.	WIRE RANGE	EXPANDED WIRE RANGE*	COLOR CODE	BOLT SIZE	MTG. HOLE SPACING (G)	LENGTH (A)	WIDTH (B)	END CONN. TO CTR. (E)	TANG LENGTH (F)	BARREL LENGTH (A1)	STD. CTN. QTY.
SL40N	4/0 AWG	4/0 - 1 AWG	Purple	0.500	1.750	5.188	1.500	0.625	3.000	1.625	25
SL250N	250 MCM	250 MCM - 1/0 AWG	Yellow	0.500	1.750	5.438	1.125	0.625	3.000	1.688	25
SL300N	300 MCM	300-2/0 AWG	White	0.500	1.750	5.580	1.083	0.625	3.000	1.715	25
SL350N	350 MCM	350 MCM - 3/0 AWG	Red	0.500	1.750	5.750	1.938	0.625	3.000	1.875	25
SL500N	500 MCM	500 - 250 MCM	Brown	0.500	1.750	6.063	1.563	0.625	3.125	2.250	6
SL600N	600 MCM	600 - 250 MCM	Green	0.500	1.750	6.750	1.688	0.625	3.125	2.625	6
SL750N	750 MCM	750 - 500 MCM	Black	0.500	1.750	6.800	1.758	0.660	2.980	2.957	3

*EXPANDED WIRE RANGE when installed with NSI N121D dieless compression tool.
UL Listed with other tools:

FOR TOOL & DIE CRIMPING INFORMATION, PLEASE SEE TABLE ON PAGE 143



Scan QR to view
Tool & Die Charts

COMPRESSION CONNECTORS

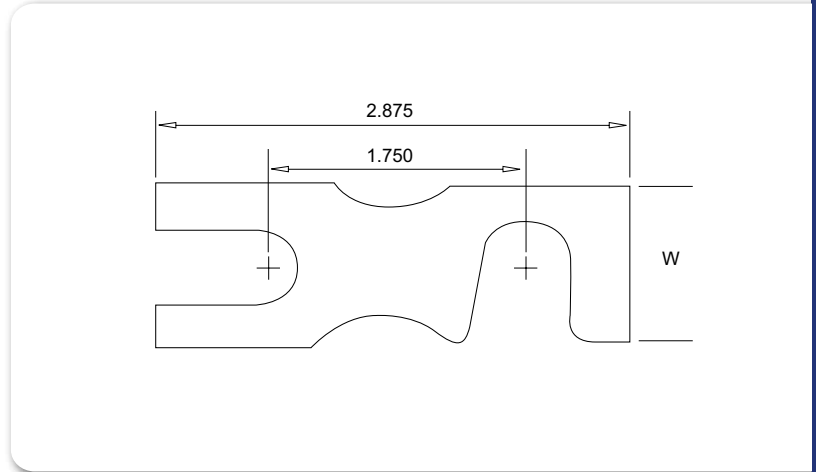
Stacking Adapters for Compression Terminals

SA SERIES



FEATURES

- Tin-plated pure aluminum for good conductivity and corrosion resistance.
- Allows for stacking of standard two hole compression lugs and keeps inventories to a minimum.
- To stack 4-hole NECA drilled terminals, use two adapters assembled in parallel.



RATINGS

RATING:
600V.

CAT. NO.	HEIGHT	CONNECTOR SIZE RANGE	STD. CTN. QTY.
SA10-400	0.875	1/0-400 MCM	10
SA500-1000	1.125	500-1000 MCM	6

COMPRESSION CONNECTORS

Short Barrel Copper Lugs

One Hole With Peep Hole

GL SERIES



FEATURES

- Produced from high conductivity copper tubing.
- Allows easy inspection of the termination to assure complete cable insertion.
- Tin-plated to provide corrosion and low contact resistance.
- Marked with die index and color coded.
- Listed for 35KV maximum when properly installed.
- For applications greater than 2000V, installed to cable manufacturer for voltage stress relief instructions.

RATINGS



UL486A/B Listed.

UL467 Grounding & Bonding (Sizes 8 AWG - 3/0 AWG)

Max ampacity is based on NEC 310.15, insulation type, and conductor material. Please consult your current NEC manual.

* CLASS B OR C BUILDING WIRE CU CABLE ONLY

TEMPERATURE RATING/VOLTAGE:

AL9CU. Rated 600V, 90 °C.

All dimensional data is listed in inches.

CAT. NO.	WIRE RANGE	EXPANDED WIRE RANGE*
GL810	8 AWG	8 AWG
GL814	8 AWG	8 AWG
GL838		
GL856	8 AWG	8 AWG
GL614	6 AWG	6 - 8 AWG
GL656	6 AWG	6 - 8 AWG
GL638	6 AWG	6 - 8 AWG
GL414	4 AWG	4 - 6 AWG
GL456	4 AWG	4 - 6 AWG
GL438	4 AWG	4 - 6 AWG
GL338	3 AWG	3 - 6 AWG
GL214	2 AWG	2 - 6 AWG
GL256	2 AWG	2 - 6 AWG
GL238	2 AWG	2 - 6 AWG
GL114	1 AWG	1 - 6 AWG
GL156	1 AWG	1 - 6 AWG
GL138	1 AWG	1 - 6 AWG
GL1056	1/0 AWG	1/0 - 6 AWG
GL1038	1/0 AWG	1/0 - 6 AWG
GL1048	1/0 AWG	1/0 - 6 AWG
GL2056	2/0 AWG	2/0 - 4 AWG

*EXPANDED WIRE RANGE when installed with NSI N121D dieless compression tool. UL Listed with other tools:

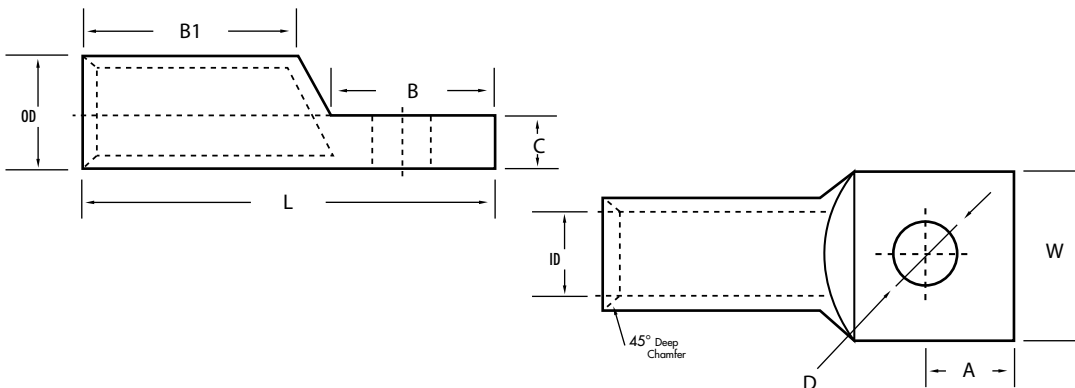
FOR TOOL & DIE CRIMPING INFORMATION, PLEASE SEE TABLE ON PAGE 143



Scan QR to view Tool & Die Charts



COLOR CODE	BOLT SIZE	I.D.	O.D.	LENGTH (L)	WIDTH (W)	END OF CONN TO CTR. (A)	TANG LENGTH (B)	BARREL LENGTH (B1)	TANG THICKNESS (C)	MTG. HOLE DIA. (D)	STD. CTN. QTY.
Red	# 10	0.173	0.272	1.201	0.421	0.276	0.591	0.441	0.079	0.209	100
Red	1/4	0.173	0.272	1.201	0.421	0.276	0.591	0.441	0.079	0.252	100
Red	5/16	0.173	0.272	1.201	0.421	0.276	0.591	0.441	0.079	0.330	100
Blue	1/4	0.205	0.295	1.496	0.421	0.295	0.669	0.709	0.083	0.252	100
Blue	5/16	0.205	0.295	1.496	0.488	0.295	0.669	0.709	0.067	0.331	100
Blue	3/8	0.205	0.295	1.496	0.488	0.295	0.669	0.709	0.067	0.410	100
Gray	1/4	0.252	0.343	1.496	0.488	0.315	0.669	0.709	0.079	0.252	100
Gray	5/16	0.252	0.343	1.496	0.488	0.315	0.669	0.709	0.079	0.331	100
Gray	3/8	0.252	0.343	1.496	0.559	0.315	0.669	0.709	0.079	0.413	100
White	3/8	0.277	0.372	1.984	0.594	0.375	0.875	0.885	0.086	0.399	50
Brown	1/4	0.315	0.421	1.795	0.602	0.370	0.811	0.827	0.102	0.252	50
Brown	5/16	0.315	0.421	1.795	0.602	0.370	0.811	0.827	0.102	0.331	50
Brown	3/8	0.315	0.421	1.795	0.602	0.370	0.811	0.827	0.102	0.413	50
Green	1/4	0.358	0.469	1.835	0.673	0.370	0.811	0.827	0.106	0.252	50
Green	5/16	0.358	0.469	1.835	0.673	0.370	0.811	0.827	0.106	0.331	50
Green	3/8	0.358	0.469	1.835	0.673	0.394	0.811	0.827	0.106	0.413	50
Pink	5/16	0.390	0.520	1.835	0.744	0.370	0.811	0.827	0.126	0.331	50
Pink	3/8	0.390	0.520	1.835	0.744	0.370	0.811	0.827	0.126	0.413	50
Pink	1/2	0.390	0.520	1.835	0.744	0.370	0.811	0.827	0.126	0.512	50
Black	5/16	0.441	0.563	2.244	0.815	0.472	1.063	0.945	0.118	0.331	25



COMPRESSION CONNECTORS
Short Barrel Copper Lugs
One Hole With Peep Hole
GL SERIES CONTINUED



FEATURES

- Produced from high conductivity copper tubing.
- Allows easy inspection of the termination to assure complete cable insertion.
- Tin-plated to provide corrosion and low contact resistance.
- Marked with die index and color coded.
- Listed for 35KV maximum when properly installed.
- For applications greater than 2000V, installed to cable manufacturer for voltage stress relief instructions.

RATINGS



UL486A/B Listed.
 UL467 Grounding & Bonding (Sizes 8 AWG - 3/0 AWG)
 Max ampacity is based on NEC 310.15, insulation type, and conductor material. Please consult your current NEC manual.

* CLASS B OR C BUILDING WIRE CU CABLE ONLY

TEMPERATURE RATING/VOLTAGE:
 AL9CU. Rated 600V, 90 °C.

All dimensional data is listed in inches.

CAT. NO.	WIRE RANGE	EXPANDED WIRE RANGE*
GL2038	2/0 AWG	2/0 - 4 AWG
GL2048	2/0 AWG	2/0 - 4 AWG
GL3038	3/0 AWG	3/0 - 2 AWG
GL3048	3/0 AWG	3/0 - 2 AWG
GL4038	4/0 AWG	4/0 - 1 AWG
GL4048	4/0 AWG	4/0 - 1 AWG
GL25038	250 MCM	250 MCM - 1/0 AWG
GL25048	250 MCM	250 MCM - 1/0 AWG
GL30048	300 MCM	300 MCM - 2/0 AWG
GL35038	350 MCM	350 MCM - 3/0 AWG
GL35048	350 MCM	350 MCM - 3/0 AWG
GL40048	400 MCM	400 MCM - 4/0 AWG
GL50048	500 MCM	500 - 250 MCM
GL50058	500 MCM	500 - 250 MCM
GL60048	600 MCM	600 - 250 MCM
GL60058	600 MCM	600 - 250 MCM
GL75048	750 MCM	750 - 500 MCM
GL75058	750 MCM	750 - 500 MCM
GL10058	1000 MCM	

*EXPANDED WIRE RANGE when installed with NSI N12ID dieless compression tool. UL Listed with other tools:

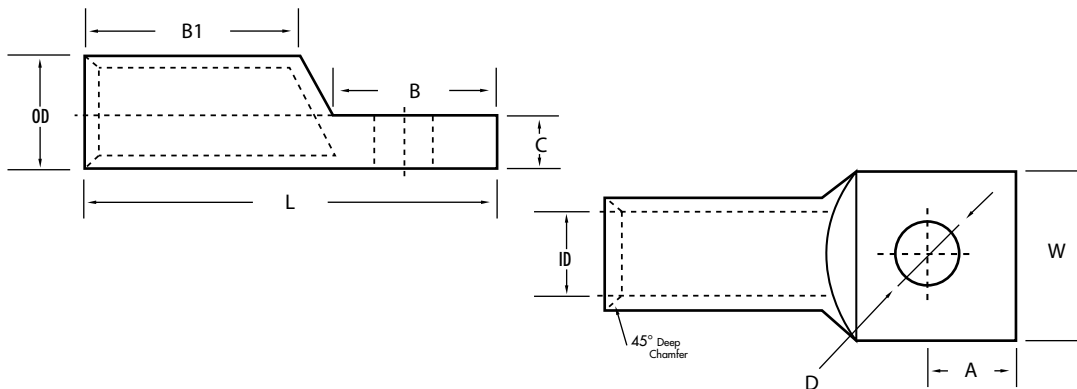
FOR TOOL & DIE CRIMPING INFORMATION, PLEASE SEE TABLE ON PAGE 143



Scan QR to view Tool & Die Charts



COLOR CODE	BOLT SIZE	I.D.	O.D.	LENGTH (L)	WIDTH (W)	END OF CONN TO CTR. (A)	TANG LENGTH (B)	BARREL LENGTH (B1)	TANG THICKNESS (C)	MTG. HOLE DIA. (D)	STD. CTN. QTY.
Black	3/8	0.441	0.563	2.244	0.815	0.472	1.063	0.945	0.118	0.413	25
Black	1/2	0.441	0.563	2.244	0.815	0.472	1.063	0.945	0.118	0.512	25
Orange	3/8	0.492	0.622	2.362	0.902	0.472	1.063	0.984	0.126	0.413	25
Orange	1/2	0.492	0.622	2.362	0.902	0.472	1.063	0.984	0.126	0.512	25
Purple	3/8	0.547	0.689	2.362	1.000	0.472	1.063	0.984	0.134	0.413	25
Purple	1/2	0.547	0.689	2.362	1.000	0.472	1.063	0.984	0.134	0.512	25
Yellow	3/8	0.594	0.752	2.480	1.091	0.472	1.063	1.063	0.150	0.413	25
Yellow	1/2	0.594	0.752	2.480	1.091	0.472	1.063	1.063	0.150	0.512	25
White	1/2	0.657	0.815	2.480	1.189	0.520	1.063	1.063	0.150	0.512	12
Red	3/8	0.692	0.875	1.625	1.281	0.395	0.875	1.112	0.173	0.391	12
Red	1/2	0.701	0.874	2.606	1.276	0.520	1.063	1.102	0.165	0.512	12
Blue	1/2	0.764	0.949	3.079	1.386	0.520	1.378	1.181	0.177	0.512	6
Brown	1/2	0.835	1.063	3.276	1.539	0.520	1.378	1.378	0.217	0.512	6
Brown	5/8	0.835	1.063	3.276	1.539	0.520	1.378	1.378	0.217	0.669	6
Green	1/2	0.925	1.189	3.504	1.717	0.520	1.457	1.496	0.252	0.512	6
Green	5/8	0.925	1.189	3.504	1.717	0.689	1.457	1.496	0.252	0.669	6
Black	1/2	1.022	1.295	3.866	1.760	0.685	1.550	1.743	0.277	0.541	3
Black	5/8	1.031	1.311	4.370	1.902	0.689	1.850	1.850	0.268	0.669	3
White	5/8	1.158	1.491	4.085	2.151	0.730	1.675	1.789	0.327	0.669	3



COMPRESSION CONNECTORS

Short Barrel Copper Lugs

Two Hole With Peep

GL-N SERIES



FEATURES

- Produced from high conductivity copper tubing.
- Allows easy inspection of the termination to assure complete cable insertion.
- Tin-plated to provide corrosion and low contact resistance.
- Marked with die index and color coded.
- Listed for 35KV maximum when properly installed.
- For applications greater than 2000V, installed to cable manufacturer for voltage stress relief instructions.

Note: Part numbers ending in "X" have no peep hole.

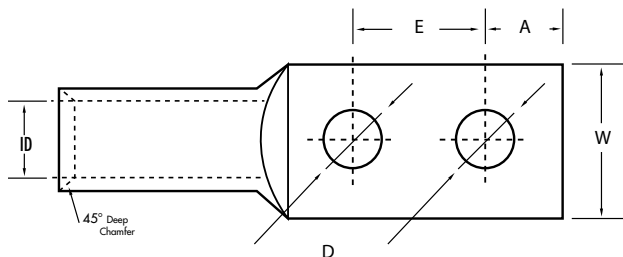
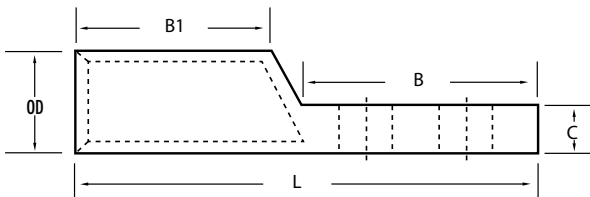
RATINGS



TEMPERATURE RATING/VOLTAGE:
AL9CU. Rated 600V, 90 °C.

UL486A/B Listed.
UL467 Grounding & Bonding (Sizes 8 AWG - 3/0 AWG)
Max ampacity is based on NEC 310.15, insulation type, and conductor material. Please consult your current NEC manual.

* CLASS B OR C BUILDING WIRE CU CABLE ONLY



All dimensional data is listed in inches.

CAT. NO.	WIRE RANGE	EXPANDED WIRE RANGE*
GL6N-141	6 AWG	6 - 8 AWG
GL6N-141X	6 AWG	6 - 8 AWG
GL6N-143	6 AWG	6 - 8 AWG
GL6N-38	6 AWG	6 - 8 AWG
GL4N-141	4 AWG	4 - 6 AWG
GL4N-38	4 AWG	4 - 6 AWG
GL2N-141	2 AWG	2 - 6 AWG
GL2N-141X	2 AWG	2 - 6 AWG
GL2N-142	2 AWG	2 - 6 AWG
GL2N-143	2 AWG	2 - 6 AWG
GL2N-38	2 AWG	2 - 6 AWG
GL2N-38X	2 AWG	2 - 6 AWG
GL1N-38	1 AWG	1 - 6 AWG
GL10N-38	1/0 AWG	1/0 - 6 AWG
GL10N-38X	1/0 AWG	1/0 - 6 AWG
GL20N	2/0 AWG	2/0 - 4 AWG
GL20N-38	2/0 AWG	2/0 - 4 AWG
GL30N	3/0 AWG	3/0 - 2 AWG
GL30N-38	3/0 AWG	3/0 - 2 AWG
GL40N	4/0 AWG	4/0 - 1 AWG
GL40N-38	4/0 AWG	4/0 - 1 AWG
GL250N	250 MCM	250 MCM - 1/0 AWG
GL250N-38	250 MCM	250 MCM - 1/0 AWG
GL350N	350 MCM	350 MCM - 3/0 AWG
GL350N-38	350 MCM	350 MCM - 3/0 AWG
GL400N	400 MCM	400 MCM - 4/0 AWG
GL500N	500 MCM	500 - 250 MCM
GL500N-38	500 MCM	500 - 250 MCM
GL600N	600 MCM	600 - 250 MCM
GL750N	750 MCM	750 - 500 MCM
GL1000N	1000 MCM	

*EXPANDED WIRE RANGE when installed with NSI N1 21D dieless compression tool.
UL Listed with other tools:

FOR TOOL & DIE CRIMPING INFORMATION, PLEASE SEE TABLE ON PAGE 143



Scan QR to view Tool & Die Charts





COLOR CODE	BOLT SIZE	MTG. HOLE SPACING (E)	I.D.	O.D.	LENGTH (L)	WIDTH (W)	END OF CONN TO CTR. (A)	TANG LENGTH (B)	BARREL LENGTH (B1)	TANG THICKNESS (C)	MTG. HOLE DIA. (D)	STD. CTN. QTY.
Blue	1/4	0.625	0.205	0.295	2.087	0.421	0.280	1.260	0.709	0.083	0.252	100
Blue	1/4	0.625	0.205	0.295	2.087	0.421	0.280	1.260	0.709	0.083	0.252	100
Blue	1/4	1.000	0.205	0.295	2.638	0.421	0.280	1.811	0.709	0.083	0.252	100
Blue	3/8	1.000	0.205	0.295	2.638	0.488	0.382	1.811	0.709	0.087	0.413	100
Gray	1/4	0.625	0.252	0.343	2.087	0.488	0.280	1.260	0.709	0.087	0.252	100
Gray	3/8	1.000	0.252	0.343	2.677	0.488	0.382	1.811	0.748	0.087	0.413	100
Brown	1/4	0.625	0.315	0.421	2.283	0.602	0.280	1.260	0.827	0.102	0.252	50
Brown	1/4	0.625	0.315	0.421	2.283	0.602	0.280	1.260	0.827	0.102	0.252	50
Brown	1/4	0.750	0.315	0.421	2.362	0.602	0.280	1.378	0.827	0.102	0.252	50
Brown	1/4	1.000	0.315	0.421	2.795	0.602	0.280	1.811	0.827	0.102	0.252	50
Brown	3/8	1.000	0.315	0.421	2.835	0.602	0.280	1.811	0.827	0.102	0.413	50
Brown	3/8	1.000	0.315	0.421	2.835	0.602	0.280	1.811	0.827	0.102	0.413	50
Green	3/8	1.000	0.350	0.463	3.024	0.672	0.345	1.842	0.955	0.106	0.404	50
Pink	3/8	1.000	0.390	0.520	2.835	0.744	0.382	1.811	0.827	0.126	0.413	50
Pink	3/8	1.000	0.390	0.520	2.835	0.744	0.382	1.811	0.827	0.126	0.413	50
Black	1/2	1.750	0.441	0.563	4.173	0.815	0.618	2.992	0.945	0.118	0.512	25
Black	3/8	1.000	0.441	0.563	2.992	0.815	0.382	1.811	0.945	0.118	0.413	25
Orange	1/2	1.750	0.492	0.622	4.291	0.902	0.618	2.992	0.984	0.126	0.512	25
Orange	3/8	1.000	0.492	0.622	3.110	0.902	0.382	1.811	0.984	0.126	0.413	25
Purple	1/2	1.750	0.547	0.689	4.291	1.000	0.618	2.992	0.984	0.134	0.512	25
Purple	3/8	1.000	0.547	0.689	3.110	1.000	0.382	1.811	0.984	0.134	0.413	25
Yellow	1/2	1.750	0.594	0.752	4.409	1.091	0.618	2.992	1.063	0.150	0.512	25
Yellow	3/8	1.000	0.594	0.752	3.228	1.091	0.382	1.811	1.063	0.150	0.413	25
Red	1/2	1.750	0.701	0.874	4.528	1.276	0.618	2.992	1.102	0.165	0.512	12
Red	3/8	1.000	0.701	0.874	3.346	1.276	0.382	1.811	1.102	0.165	0.413	12
Blue	1/2	1.750	0.764	0.949	4.685	1.386	0.618	2.992	1.181	0.177	0.512	6
Brown	1/2	1.750	0.839	1.063	4.882	1.539	0.618	2.992	1.378	0.217	0.512	6
Brown	3/8	1.000	0.839	1.063	3.701	1.539	0.382	1.811	1.378	0.217	0.413	6
Green	1/2	1.750	0.925	1.189	5.039	1.717	0.618	2.992	1.496	0.252	0.512	6
Black	1/2	1.750	1.043	1.311	5.512	1.902	0.618	2.992	1.850	0.268	0.512	3
White	1/2	1.750	1.173	1.492	5.870	2.158	0.620	3.436	1.910	0.331	0.544	1

COMPRESSION CONNECTORS

Copper Splice

Short Barrel

SC SERIES



FEATURES

- Produced from high conductivity copper tubing.
- Serrations indicate proper crimp locations.
- Tin-plated to provide corrosion resistance.
- Marked with die index and color coded.
- Suitable for use at voltages up to 35KV provided connector is properly taped.
- 5KV is the maximum voltage in all bare splices.
- For applications greater than 2000V, consult the cable manufacturer for voltage stress relief instructions.

RATINGS



UL486A/B Listed.

UL467 Grounding & Bonding (Sizes 8 AWG - 3/0 AWG)

Max ampacity is based on NEC 310.15, insulation type, and conductor material. Please consult your current NEC manual.

* CLASS B OR C BUILDING WIRE CU CABLE ONLY

TEMPERATURE RATING/VOLTAGE:

AL9CU. Rated 600V, 90 °C.

All dimensional data is listed in inches.

CAT. NO.	WIRE RANGE	EXPANDED WIRE RANGE*
SC-8	8 AWG	8 AWG
SC-6	6 AWG	6 - 8 AWG
SC-4	4 AWG	4 - 6 AWG
SC-3	3 AWG	3 - 6 AWG
SC-2	2 AWG	2 - 6 AWG
SC-1	1 AWG	1 - 6 AWG
SC-1/0	1/0 AWG	1/0 - 6 AWG
SC-2/0	2/0 AWG	2/0 - 4 AWG
SC-3/0	3/0 AWG	3/0 - 2 AWG
SC-4/0	4/0 AWG	4/0 - 1 AWG
SC-250	250 MCM	250 MCM - 1/0 AWG
SC-300	300 MCM	300 MCM - 2/0 AWG
SC-350	350 MCM	350 MCM - 3/0 AWG
SC-400	400 MCM	400 MCM - 4/0 AWG
SC-500	500 MCM	500 - 250 MCM
SC-600	600 MCM	600 - 250 MCM
SC-750	750 MCM	750-500 MCM

*EXPANDED WIRE RANGE when installed with NSI N121D dieless compression tool. UL Listed with other tools:

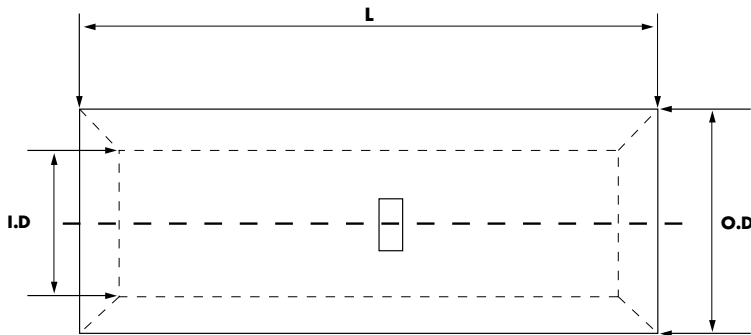
FOR TOOL & DIE CRIMPING INFORMATION, PLEASE SEE TABLE ON PAGE 143



Scan QR to view
Tool & Die Charts



COLOR CODE	I.D.	O.D.	LENGTH (L)	STD. CTN. QTY.
Red	0.173	0.272	0.902	100
Blue	0.205	0.295	1.000	100
Gray	0.252	0.343	1.000	100
White	0.282	0.378	1.883	50
Brown	0.315	0.421	1.252	50
Green	0.358	0.469	1.799	50
Pink	0.390	0.520	1.598	50
Black	0.441	0.563	1.752	25
Orange	0.492	0.622	1.752	25
Purple	0.547	0.689	1.902	25
Yellow	0.594	0.752	2.000	25
White	0.657	0.815	2.098	12
Red	0.701	0.874	2.098	12
Blue	0.764	0.949	2.299	6
Brown	0.835	1.063	2.500	6
Green	1.189	1.189	2.500	6
Black	1.031	1.311	3.201	3



COMPRESSION CONNECTORS

Copper Splice

Long Barrel

C SERIES



FEATURES

- Produced from high conductivity copper tubing.
- Serrations indicate proper crimp locations.
- Tin-plated to provide corrosion resistance.
- Marked with die index and color coded.
- Suitable for use at voltages up to 35KV provided connector is properly taped.
- 5KV is the maximum voltage in all bare splices.
- For applications greater than 2000V, consult the cable manufacturer for voltage stress relief instructions.

RATINGS



UL486A/B Listed.

UL467 Grounding & Bonding (Sizes 8 AWG - 3/0 AWG)

Max ampacity is based on NEC 310.15, insulation type, and conductor material. Please consult your current NEC manual.

* CLASS B OR C BUILDING WIRE CU CABLE ONLY

TEMPERATURE RATING:

90 °C.

All dimensional data is listed in inches.

CAT. NO.	WIRE RANGE	EXPANDED WIRE RANGE*
C-8	8 AWG	8 AWG
C-6	6 AWG	6 - 8 AWG
C-4	4 AWG	4 - 6 AWG
C-3	3 AWG	3 - 6 AWG
C-2	2 AWG	2 - 6 AWG
C-1	1 AWG	1 - 6 AWG
C-1/0	1/0 AWG	1/0 - 6 AWG
C-2/0	2/0 AWG	2/0 - 4 AWG
C-3/0	3/0 AWG	3/0 - 2 AWG
C-4/0	4/0 AWG	4/0 - 1 AWG
C-250	250 MCM	250 MCM - 1/0 AWG
C-300	300 MCM	300 MCM - 2/0 AWG
C-350	350 MCM	350 MCM - 3/0 AWG
C-400	400 MCM	400 MCM - 4/0 AWG
C-500	500 MCM	500 - 250 MCM
C-600	600 MCM	600 - 250 MCM
C-750	750 MCM	750-500 MCM
C-1000	1000 MCM	1000-750 MCM

*EXPANDED WIRE RANGE when installed with NSI N121D dieless compression tool. UL Listed with other tools:

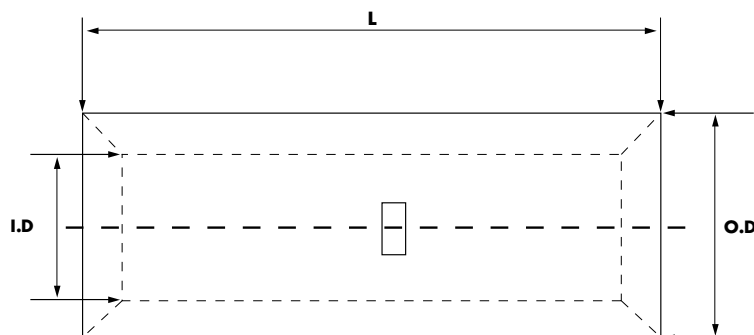
FOR TOOL & DIE CRIMPING INFORMATION, PLEASE SEE TABLE ON PAGE 143



Scan QR to view Tool & Die Charts



COLOR CODE INDEX	I.D.	O.D.	LENGTH (L) (IN.)	STD. CTN. QTY.
Red	0.173	0.272	1.752	100
Blue	0.205	0.295	1.752	100
Gray	0.252	0.343	1.752	100
White	0.282	0.378	2.381	50
Brown	0.315	0.421	1.902	50
Green	0.358	0.469	2.201	50
Pink	0.390	0.520	2.201	50
Black	0.441	0.563	2.252	25
Orange	0.492	0.622	2.252	25
Purple	0.547	0.689	2.752	25
Yellow	0.594	0.752	3.252	25
White	0.657	0.815	3.504	12
Red	0.701	0.874	3.752	12
Blue	0.764	0.949	3.752	6
Brown	0.835	1.063	4.252	6
Green	1.189	1.189	4.500	6
Black	1.031	1.311	4.752	3
White	1.189	1.527	6.122	3



COMPRESSION CONNECTORS
For Flexible Copper Cable –
One Hole Short Barrel
(Peep Hole)
GL-B SERIES



FEATURES

- Connector end has a gentle, continuous flare to ensure ease of cable insertion of flexible and extra-flexible cables such as locomotive, welding, mining cable and more.
- The flared end also reduces pressure on the cable strands after installation and protects them from chafing and breakage as a result of cable movement.
- Tin-plated for corrosion resistance.

RATINGS



UL486A/B Listed.

TEMPERATURE RATING:

90 °C.
 600V.
 for copper cables only.

All dimensional data is listed in inches.

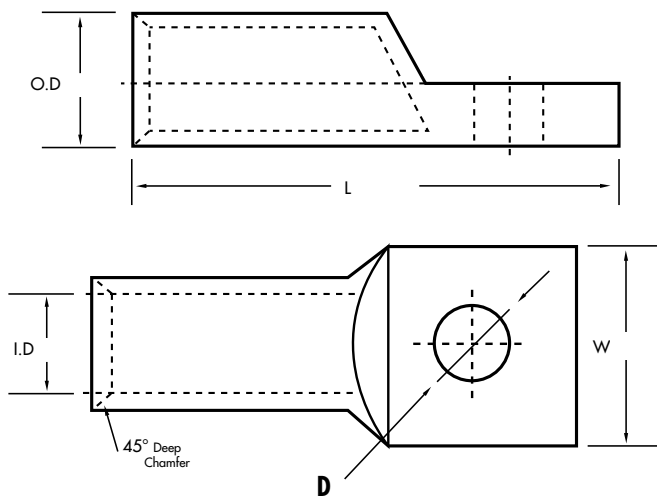
CAT. NO.	WIRE RANGE	EXPANDED WIRE RANGE*
GL214B	2 AWG	2 - 6 AWG
GL256B	2 AWG	2 - 6 AWG
GL156B	1 AWG	1 - 6 AWG
GL1056B	1/0 AWG	1/0 - 6 AWG
GL2038B	2/0 AWG	2/0 - 4 AWG
GL3038B	3/0 AWG	3/0 - 2 AWG
GL3048B	3/0 AWG	3/0 - 2 AWG
GL4048B	4/0 AWG	4/0 - 1 AWG
GL25038B	250 MCM	250 MCM - 1/0 AWG
GL25048B	250 MCM	250 MCM - 1/0 AWG
GL30048B	300 MCM	300 MCM - 2/0 AWG
GL35058B	350 MCM	350 MCM - 3/0 AWG
GL50058B	400 MCM	400 MCM - 4/0 AWG
GL60058B	500 MCM	500 - 250 MCM
GL70058B	600 MCM	600 - 250 MCM
GL75058B	750 MCM	750-500 MCM
GL10058B	1000 MCM	1000-500 MCM

***EXPANDED WIRE RANGE** when installed with NSI N121D dieless compression tool. UL Listed with other tools:

FOR TOOL & DIE CRIMPING INFORMATION, PLEASE SEE TABLE ON PAGE 143



COLOR CODE	COMM	CABLE SIZE			BOLT SIZE (D)	I.D.	O.D.	LENGTH (L)	WIDTH (W)
		ASTM CLASS H	WELDING CLASS M	DIESEL LOCOMOTIVE					
Brown	2	4	4	(125)	1/4	0.315	0.421	1.800	0.600
Brown	2	4	4	(125)	5/16	0.315	0.421	1.800	0.600
Green	1	2	2	(150)	5/16	0.358	0.469	1.830	0.670
Pink	1/0	1	1	(225)	5/16	0.390	0.520	1.830	0.740
Black	2/0	1/0	1/0	1/0 (275)	3/8	0.441	0.563	2.240	0.810
Orange	3/0	2/0	-	2/0 (325)	3/8	0.492	0.622	2.360	0.900
Orange	3/0	2/0	-	2/0 (325)	1/2	0.492	0.622	2.360	0.900
Purple	4/0	3/0	2/0	3/0 (450)	1/2	0.547	0.689	2.360	1.000
Yellow	250	-	3/0	4/0 (550)	3/8	0.594	0.752	2.480	1.090
Yellow	250	-	3/0	4/0 (550)	1/2	0.594	0.752	2.480	1.090
White	300	4/0	4/0	262.6	1/2	0.657	0.815	2.490	1.190
Red	350	250	250	313.1	5/8	0.692	0.875	2.910	1.280
Brown	500	350	300	373.3	5/8	0.835	1.063	3.280	1.540
Green	600	400	350	444.4	5/8	0.925	1.189	3.500	1.720
Pink	700	500	400	535.3	5/8	1.031	1.311		
Black	750	600	500	-	5/8	1.031	1.311	4.370	1.950
White	1000	800	700	777.7	5/8	1.158	1.491	4.769	2.170



COMPRESSION CONNECTORS For Flexible Copper Cable – One Hole Long Barrel L-B SERIES



FEATURES

- Connector end has a gentle, continuous flare to ensure ease of cable insertion of flexible and extra-flexible cables such as locomotive, welding, mining cable and more.
- The flared end also reduces pressure on the cable strands after installation and protects them from chafing and breakage as a result of cable movement.
- Tin-plated for corrosion resistance.

RATINGS



UL486A/B Listed.

TEMPERATURE RATING:

90 °C.
600V.
for copper cables only.

All dimensional data is listed in inches.

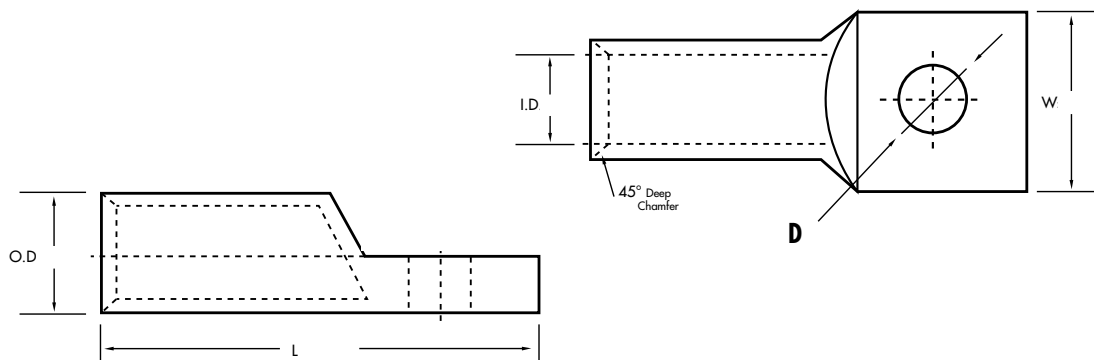
CAT. NO.	WIRE RANGE	EXPANDED WIRE RANGE*
L638B	6 AWG	6-8 AWG
L438B	4 AWG	4 - 6 AWG
L256B	2 AWG	2 - 6 AWG
L238B	2 AWG	2 - 6 AWG
L156B	1 AWG	1 - 6 AWG
L1056B	1/0 AWG	1/0 - 6 AWG
L2038B	2/0 AWG	2/0 - 4 AWG
L3038B	3/0 AWG	3/0 - 2 AWG
L3048B	3/0 AWG	3/0 - 2 AWG
L4048B	4/0 AWG	4/0 - 1 AWG
L25038B	250 MCM	250 MCM - 1/0 AWG
L25048B	250 MCM	250 MCM - 1/0 AWG
L30048B	300 MCM	300 MCM - 2/0 AWG
L35058B	350 MCM	350 MCM - 3/0 AWG
L50058B	500 MCM	500 - 250 MCM
L60058B	600 MCM	600 - 250 MCM
L70048B	700 MCM	700-500 MCM
L70058B	700 MCM	700-500 MCM
L75058B	750 MCM	750-500 MCM

*EXPANDED WIRE RANGE when installed with NSI N121D dieless compression tool. UL Listed with other tools.

FOR TOOL & DIE CRIMPING INFORMATION, PLEASE SEE TABLE ON PAGE 143



COLOR CODE	COMM	CABLE SIZE			LENGTH (L)	BOLT SIZE (D)	WIDTH (W)	I.D.	O.D.
		ASTM CLASS H	WELDING CLASS M	DIESEL LOCOMOTIVE					
Blue	6	8	8	(61)	1.910	3/8	0.590	0.205	0.295
Grey	4	6	6	(105)	1.910	3/8	0.590	0.252	0.343
Brown	2	4	4	(125)	2.070	5/16	0.600	0.315	0.421
Brown	2	4	4	(125)	2.070	3/8	0.600	0.315	0.421
Green	1	2	2	(150)	2.110	5/16	0.670	0.358	0.469
Pink	1/0	1	1	(225)	2.210	5/16	0.740	0.390	0.520
Black	2/0	1/0	1/0	1/0 (275)	2.680	3/8	0.810	0.441	0.563
Orange	3/0	2/0	-	2/0 (325)	2.800	3/8	0.900	0.492	0.622
Orange	3/0	2/0	-	2/0 (325)	2.800	1/2	1.000	0.492	0.622
Purple	4/0	3/0	2/0	3/0 (450)	2.800	1/2	1.000	0.547	0.689
Yellow	250	-	3/0	4/0 (550)	3.030	3/8	1.090	0.594	0.752
Yellow	250	-	3/0	4/0 (550)	3.030	1/2	1.090	0.594	1.752
White	300	4/0	4/0	262.6	3.390	1/2	1.190	0.651	1.815
Red	350	250	250	313.1	3.460	5/8	1.280	0.701	0.874
Brown	500	350	300	373.3	4.130	5/8	1.540	0.835	1.063
Green	600	400	350	444.4	4.256	5/8	1.720	0.925	1.189
-	700	500	400	535.3	4.922	1/2	1.690	0.975	1.241
-	700	500	400	535.3	5.094	5/8	1.702	0.962	1.241
Black	750	600	500	-	5.160	5/8	1.900	1.031	1.311



COMPRESSION CONNECTORS For Flexible Copper Cable – Two Hole Long Barrel L-NB SERIES



FEATURES

- Connector end has a gentle, continuous flare to ensure ease of cable insertion of flexible and extra-flexible cables such as locomotive, welding, mining cable and more.
- The flared end also reduces pressure on the cable strands after installation and protects them from chafing and breakage as a result of cable movement.
- Tin-plated for corrosion resistance.
- NEMA spaced mounting holes (1 $\frac{3}{4}$ "). (E Dimension)

RATINGS



UL486A/B Listed.

TEMPERATURE RATING:

90 °C.
600V.
for copper cables only.

All dimensional data is listed in inches.

CAT. NO.	WIRE RANGE	EXPANDED WIRE RANGE*
L30NB	3/0	3/0 - 2 AWG
L40NB	4/0	4/0 - 1
L250NB	250	250 - 1/0
L300NB	300	300 - 2/0
L350NB	350	350 - 3/0
L500NB	500	500 - 250
L600NB	600	600 - 250
L700NB	700	700 - 500
L750NB	750	750 - 500
L100NB	1000	1000 - 750

***EXPANDED WIRE RANGE** when installed with NSI N121D dieless compression tool. UL Listed with other tools:

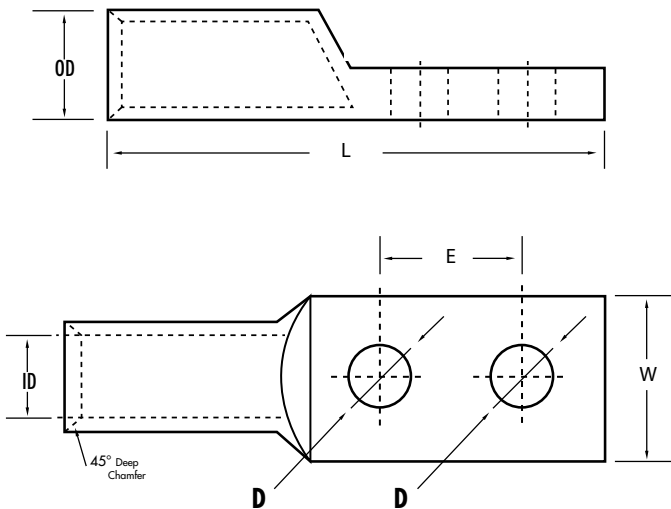
FOR TOOL & DIE CRIMPING INFORMATION, PLEASE SEE TABLE ON PAGE 143



Scan QR to view
Tool & Die Charts



COLOR CODE	LENGTH (L)	BOLT SIZE (D)	MOUNTING HOLE SPACING (E)	WIDTH (W)	I.D.	O.D.	COMM	CABLE SIZE		DIESEL LOCOMOTIVE	STD. CTN. QTY.
								ASTM CLASS H	CLASS M WELDING		
Orange	4.650	1/2	1.750	0.900	0.490	0.620	3/0	2/0	-	2/0 (325)	12
Purple	4.720	1/2	1.750	1.000	0.550	0.690	4/0	3/0	2/0	3/0 (450)	12
Yellow	4.960	1/2	1.750	1.090	0.590	0.750	250	-	3/0	4/0 (550)	12
White	5.310	1/2	1.750	1.190	0.660	0.810	300	4/0	4/0	262.6	6
Red	5.390	1/2	1.750	1.280	0.700	0.870	350	250	250	313.1	6
Brown	5.750	1/2	1.750	1.540	0.840	1.060	500	350	300	373.3	3
Green	5.790	1/2	1.750	1.720	0.930	1.190	600	400	350	444.4	3
Pink	6.250	1/2	1.750	1.844	0.980	1.230	700	500	400	535.3	3
Black	6.300	1/2	1.750	1.900	1.030	1.310	750	600	500	-	3
White	7.125	1/2	1.750	2.160	1.150	1.500	1000	800	700	777.7	3



COMPRESSION CONNECTORS For Flexible Copper Cable – Two Hole Short Barrel (Peep Hole) GL-NB SERIES



FEATURES

- Connector end has a gentle, continuous flare to ensure ease of cable insertion of flexible and extra-flexible cables such as locomotive, welding, mining cable and more.
- The flared end also reduces pressure on the cable strands after installation and protects them from chafing and breakage as a result of cable movement.
- Tin-plated for corrosion resistance.
- NEMA spaced mounting holes (1 3/4"). (E Dimension)

RATINGS



UL486A/B Listed.

TEMPERATURE RATING:

90 °C.
600V.
for copper cables only.

All dimensional data is listed in inches.

CAT. NO.	WIRE RANGE	EXPANDED WIRE RANGE*
GL30NB	3/0	3/0 - 2
GL250NB	250	250 - 1/0
GL300NB	300	300 - 2/0
GL350NB	350	350 - 3/0
GL500NB	500	500 - 250
GL600NB	600	600 - 250
GL700NB	700	700-500
GL750NB	750	750 - 500
GL100NB	1000	-

*EXPANDED WIRE RANGE when installed with NSI N121D dieless compression tool. UL Listed with other tools:

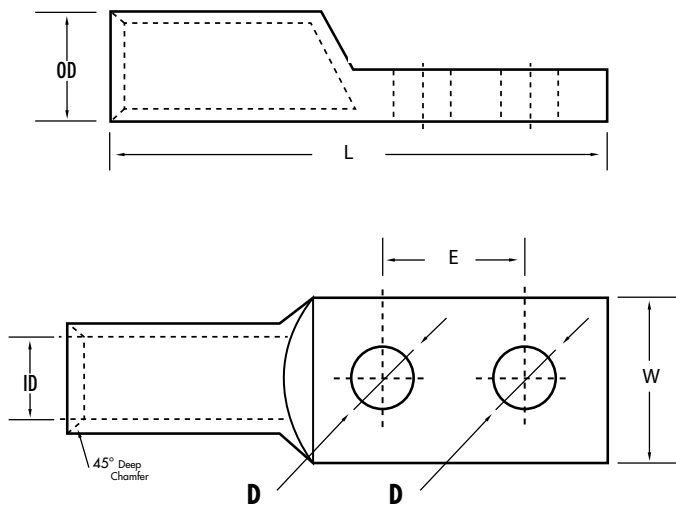
FOR TOOL & DIE CRIMPING INFORMATION, PLEASE SEE TABLE ON PAGE 143



Scan QR to view
Tool & Die Charts



COLOR CODE	BOLT SIZE	MOUNTING HOLE SPACING (E)	I.D.	O.D.	COMM	CABLE SIZE		DIESEL LOCOMOTIVE	LENGTH (L)	WIDTH (W)	STD. CTN. QTY.
						ASTM CLASS H	CLASS M WELDING				
Orange	1/2	1.750	0.492	0.622	3/0	2/0	-	2/0 (325)	4.291	0.902	12
Yellow	1/2	1.750	0.590	0.752	250	-	3/0	4/0 (550)	4.409	1.090	12
White	1/2	1.750	0.660	0.810	300	4/0	4/0	262.6	4.528	1.276	6
Red	1/2	1.750	0.700	0.870	350	250	250	313.1	4.528	1.276	6
Brown	1/2	1.750	0.840	1.060	500	350	300	373.3	4.882	1.540	3
Green	1/2	1.750	0.925	1.190	600	400	350	444.4	5.039	1.717	3
Pink	1/2	1.750	0.984	1.240	700	-	-	-	5.669	1.722	3
Black	1/2	1.750	1.040	1.310	750	600	500	-	5.512	1.900	3
White	1/2	1.750	1.173	1.492	1000	800	700	777.7	5.870	2.158	3



COMPRESSION CONNECTORS For Flexible Cable – Copper Short Barrel SC-B SERIES



FEATURES

- Splice has flared openings at both ends to ensure ease of cable insertion of flexible and extra-flexible cables such as locomotive, welding, mining cable and more.
- Positive center stop.
- Tin-plated for corrosion resistance.

RATINGS



UL486A/B Listed.

TEMPERATURE RATING:

90 °C.

600V.

for copper cables only.



Scan QR to view
Tool & Die Charts

All dimensional data is listed in inches.

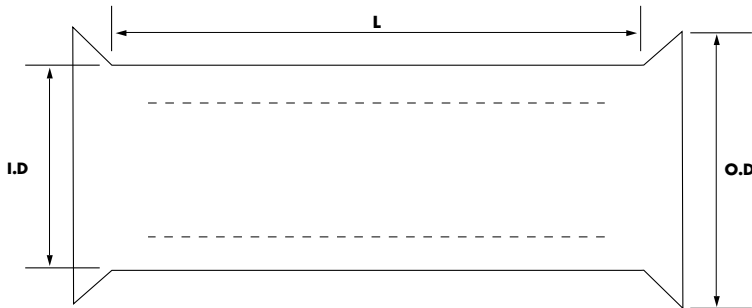
CAT. NO.	WIRE RANGE	EXPANDED WIRE RANGE*
SC-1B	1 AWG	1 AWG
SC-1/0B	1/0 AWG	1/0 - 6 AWG
SC-2/0B	2/0 AWG	2/0 - 4 AWG
SC-3/0B	3/0 AWG	3/0 - 2 AWG
SC-4/0B	4/0 AWG	4/0 - 1 AWG
SC-250B	250 MCM	250 MCM - 1/0 AWG
SC-300B	300 MCM	300 MCM - 2/0 AWG
SC-350B	350 MCM	350 MCM - 3/0 AWG

***EXPANDED WIRE RANGE** when installed with NSI NT21D dieless compression tool. UL Listed with other tools:

FOR TOOL & DIE CRIMPING INFORMATION, PLEASE SEE TABLE ON PAGE 143



COLOR CODE	LENGTH (L)	I.D.	O.D.	COMM	CABLE SIZE		DIESEL LOCOMOTIVE	STD. CTN. QTY.
					ASTM CLASS H	CLASS M WELDING		
Green	1.800	0.358	0.468	1	-	-	-	25
Pink	1.598	0.520	0.520	1/0	1	1	(225)	25
Black	1.752	0.560	0.563	2/0	1/0	1/0	1/0 (275)	25
Orange	1.752	0.620	0.622	3/0	2/0	-	2/0 (325)	25
Purple	1.902	0.690	0.689	4/0	3/0	2/0	3/0 (450)	25
Yellow	2.000	0.750	0.752	250	-	3/0	4/0 (550)	25
White	2.098	0.810	0.815	300	4/0	4/0	262.6	12
Red	2.098	0.870	0.874	350	250	250	313.1	12

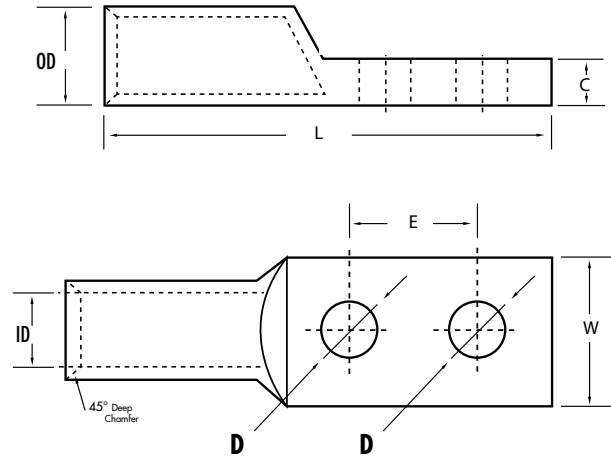


**COMPRESSION CONNECTORS
For Copper Cable -
Two Hole Short Barrel
(No Peep Hole)
GLN-X SERIES**



FEATURES

- These connectors are the same as the GL-N Series – Short Barrel Copper Compression Lugs (with Peep Hole) except that they are provided without the peephole.
- Produced from high conductivity copper tubing, they are tin-plated to provide corrosion resistance.
- Marked with die index and color coded.
- Listed for 35 KV maximum when properly installed.
- For bolt hole sizes not listed, please contact NSi.



RATINGS



UL486A/B Listed.

* CLASS B OR C BUILDING WIRE CU CABLE ONLY

CAT. NO.	WIRE SIZE	BOLT SIZE (D)	HOLE SPACING (E)	OD	ID	COLOR CODE	LENGTH (L)	WIDTH (W)	TANG THICKNESS (C)	STD. CTN. QTY.
GL6N-141X	6	1/4	0.625			Blue	2.560	0.450	0.080	100
GL2N-141X	2	1/4	0.625			Brown	2.460	0.610	0.110	50
GL2N-38X	2	3/8	1.000			Brown	3.050	0.610	0.110	50
GL10N-38X	1/0	3/8	1.000			Pink	3.140	0.750	0.120	50

**FOR TOOL & DIE CRIMPING INFORMATION,
PLEASE SEE TABLE ON PAGE 143**



Scan QR to view
Tool & Die Charts

COMPRESSION CONNECTORS

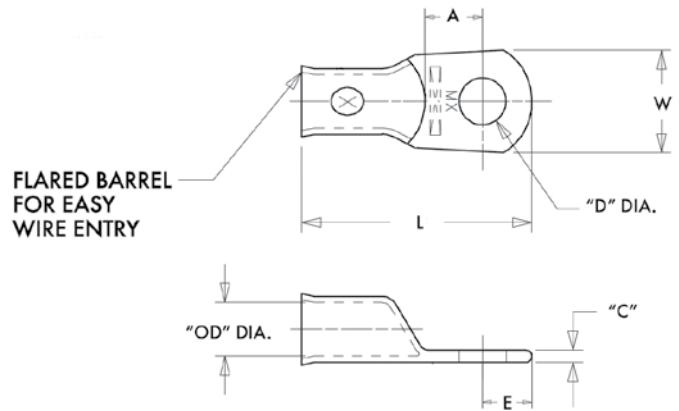
Copper Soldering Lugs

S SERIES



FEATURES

- Made of pure electrolytic copper single hole.
- Side formed with round ends.
- All lugs marked with ampere rating.



RATINGS



TEMPERATURE RATING:
90 °C. Rated 600V.

CAT. NO.	WIRE SIZE	AMPERES	LENGTH (L)	WIDTH (W)	OD	HOLE DIAMETER (D)	TANG THICKNESS (C)	TANG LENGTH (A)	END OF CONN. TO CTR. OF 1ST HOLE (E)	STD. CTN. QTY.
S-1	10	25	0.847	0.267	0.192	0.160	0.057	0.464	0.238	100
S-2	8	30-35	1.313	0.594	0.270	0.278	0.070	0.720	0.342	100
S-3	6	45-50	1.180	0.456	0.315	0.200	0.068	0.555	0.275	100
S-4	4	60-70	1.500	0.531	0.386	0.278	0.080	0.685	0.310	100
S-5	2	90	1.625	0.625	0.427	0.340	0.095	0.730	0.350	50
S-6	1/0	100-125	1.844	0.728	0.493	0.278	0.110	0.840	0.407	50
S-7	2/0	150	2.062	0.824	0.560	0.400	0.110	0.950	0.465	50
S-8	3/0	175	2.156	0.916	0.624	0.400	0.115	0.950	0.520	25
S-9	4/0	200-225	2.344	0.999	0.682	0.400	0.135	1.012	0.510	25
S-10	250	250	2.573	1.187	0.799	0.404	0.140	1.2	0.565	25

COMPRESSION CONNECTORS

C-Taps CT SERIES



FEATURES

- These taps ensure positive, all-around compression with low resistance and high pull-out values.
- Made of high conductivity copper, they satisfy the requirements of NEC250-81 and 250-91 for connecting to the grounding electrode system.
- Rated for 600V applications.

RATINGS



UL486A/B Listed.

* CLASS B OR C BUILDING
WIRE CU CABLE ONLY

CAT. NO.	WIRE SIZE		COLOR CODE	STD. CTN. QTY.
	MAIN	BRANCH		
CT-101	14	16	Red	100
	12	14		
CT-102	10	10	Blue	100
	8	12		
CT-103	6	10-12	Gray	100
	8	8-10		
CT-104	4 or 5	8-10-12	Brown	100
	6	6-8		
CT-105	3	6-8-10-12	Green	100
	4 or 5	6-5		
CT-106	3	5	Pink	100
	4	4		
CT-107	1	—	Black	50
	2	4-5		
	3	3-4		
CT-108	1/0	4	Orange	50
	1	3-4		
	2	2-3		
CT-109	2/0	3-4	Purple	50
	1/0	2-3		
CT-110	-	1-2	Yellow	25
	3/0	2-3-4		
	2/0	1-2		
	1/0	1/0-1		

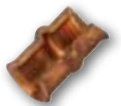
FOR TOOL & DIE CRIMPING INFORMATION,
PLEASE SEE TABLE ON PAGE 145



Scan QR to view
Tool & Die Charts

COMPRESSION CONNECTORS

C-Taps CTH SERIES



FEATURES

- These taps ensure positive, all-around compression with low resistance and high pull-out values.
- Made of high conductivity copper, they satisfy the requirements of NEC250-81 and 250-91 for connecting to the grounding electrode system.
- Rated for 600V applications.



COPPER "C" TAPS

- Range-taking compression connectors made from high conductivity copper alloy.
- Ideal for making tap or parallel copper connections from 8 SOL to 4/0 STR conductors.
- Provides consistent reliability with heavy wall construction that prevents relaxation of the joint after installation. Installation time is reduced because of its "C" shape.



UL486A/B Listed.

* CLASS B OR C BUILDING
WIRE CU CABLE ONLY

TEMPERATURE RATING:

90 °C. Rated 600V.



Scan QR to view
Tool & Die Charts



CAT. NO.	WIRE SIZE		COLOR CODE	STD. CTN. QTY.
	MAIN	BRANCH		
CTH-111	1	1	Blue	25
	1/0	1/0-2		
	2/0	2/0-4		
	3/0	1/0-6		
CTH-112	4/0	1-8	Brown	25
	2/0	2/0-1		
	3/0	3/0-3		
	4/0	4/0-4		
CTH-113	250	1/0-8	Pink	12
	2/0	2/0-1		
	3/0	3/0-2		
	4/0	4/0-4		
CTH-114	250	3/0-6	Black	6
	300	2/0-8		
	4/0	4/0-2/0		
	250	250-1		
CTH-115	300	4/0-4	Yellow	6
	350	3/0-6		
	250	250		
	300	300-3/0		
CTH-116	350	350-1/0	White	3
	400	300-2		
	450	250-4		
	500	250-6		
CTH-117	350	350-4/0	-	3
	400	400-2/0		
	450	450-1		
	500	500-2		
	750-500	4/0-6		
	750	750-4/0		

CAT. NO.	CONDUCTOR RANGE		STRIP LENGTH	STD. CTN. QTY.
	RUN	TAP		
CTH-46	6 SOL - 4 STR	6 SOL - 6 STR	3/4	25
CTH-44	6 SOL - 4 STR	4 SOL - 4 STR	3/4	25
CTH-24	2 SOL - 2 STR	8 SOL - 4 STR	7/8	10
CTH-22	2 SOL - 2 STR	2 SOL - 2 STR	7/8	25
CTH-2020	1/0 STR - 2/0 STR	1/0 STR - 2/0 STR	11/16	3
CTH-4020	3/0 STR - 4/0 STR	1/0 STR - 2/0 STR	13/16	3
CTH-4040	3/0 STR - 4/0 STR	3/0 STR - 4/0 STR	13/16	3

All dimensional data is listed in inches.

FOR TOOL & DIE CRIMPING INFORMATION,
PLEASE SEE TABLE ON PAGE 145

COMPRESSION CONNECTORS

Copper Press-Ons

CSP, CDP SERIES



FEATURES

- Made of high conductivity copper – metal barrier separates conductor thereby eliminating strand cutting.
- Generous chamber protects cable.
- For compressing, use one crimp with hydraulic tools.
- Three crimps with mechanical tools.



RATINGS



CAT. NO.	SIDE A	WIRE DIA. RANGE (IN)	SIDE B	WIRE DIA. RANGE (IN)	DIE SETS FOR HYDRAULIC TOOLS			STD. PKG. QTY.
					WH-1, W-2	Y-35*	PRESS. SET	
SINGLE TAB PRESS-ON								
CSP-301	6 SOL, 6 STR, 4 SOL	0.162/0.204	8 SOL, 8 STR, 6 SOL, 6 STR, 4 SOL	0.128/0.204	B-K-T	U-BG or U 243	4	1
DOUBLE TAB PRESS-ON								
CDP-399-8	6 SOL, 6 STR, 4 SOL	0.162/0.204	8 SOL, 6 STR, 4 SOL	0.128/0.204	B or B-K-T	U-BG or U 243	4	1
CDP-304-8	2 STR, 1 STR, 1/0 STR	0.292/0.375	6 SOL, 4 SOL, 4 STR, 2 SOL, 2 STR, 1 STR, 1/0 STR	0.162/0.258	0	0	4	1
CDP-303-8	2 STR, 1 STR, 1/0 STR	0.292/0.375	6 SOL, 4 SOL, 4 STR, 2 SOL, 2 STR, 1 STR, 1/0 STR	0.292/0.375	0	0	4	1
CDP-308-8	2/0 STR, 4/0 STR	0.419/0.528	2 STR, 1 STR, 1/0 STR, 2/0 STR, 4/0 STR	0.292/0.375	D	D3	4	1
CDP-307-8	2/0 STR, 4/0 STR	0.419/0.528	2 STR, 1 STR, 1/0 STR, 2/0 STR, 4/0 STR	0.419/0.528	D	D3	4	1

SPLIT BOLT CONNECTORS
Copper Split Bolts
2 Wire
N SERIES



FEATURES

- High strength solderless service connector made of high-copper alloy for copper and copperweld wires.
- Type for two maximum wire sizes.

RATINGS



CAT. NO.	COPPER CONDUCTOR			MAXIMUM CONDUCTOR COPPERWELD		WIRE DIA. RANGE IN.	REC. TORQUE (IN. LB.)	STD. CTN. QTY.
	RANGE OF EQUAL MAIN & TAP MIN.	MAX.	MIN. TAP WITH ONE MAX. MAIN	STR	TYPE A			
N-10	16 STR	10 STR	16 STR	–	–	0.057 – 0.116	80	100
N-8	16 STR	8 STR	16 STR	–	–	0.057 – 0.145	80	100
N-6	10 SOL	6 SOL	16 SOL	–	–	0.102 – 0.162	165	100
N-4	8 SOL	4 SOL	16 SOL	3 NO.12	8A	0.128 – 0.204	165	75
N-3	6 SOL	2 SOL	16 SOL	3 NO. 9	5A	0.162 – 0.258	275	50
N-2	6 SOL	2 STR	14 STR	3 NO. 7	3A	0.162 – 0.292	275	40
N-1/0	4 SOL	1/0 STR	14 SOL	3 NO. 6	2A	0.204 – 0.375	385	20
N-2/0	2 SOL	2/0 STR	14 STR	3 NO. 5	–	0.258 – 0.418	385	15
N-3/0	2 SOL	3/0 STR	12 SOL	7 NO. 7	–	0.258 – 0.470	500	10
N-250	1/0 SOL	250 MCM	10 SOL	7 NO. 5	–	0.325 – 0.575	650	6
N-350	4/0 STR	350 MCM	8 SOL	19 NO. 7	–	0.528 – 0.682	650	4
N-500	250 MCM	500 MCM	8 SOL	19 NO. 6	–	0.575 – 0.815	825	3
N-750	350 MCM	750 MCM	8 SOL	19 NO. 5	–	0.682 – 0.999	1000	2
N-1000	500 MCM	1000 MCM	8 SOL	–	–	0.815 – 1.153	1100	2

SPLIT BOLT CONNECTORS
Copper Split Bolts
3 Wire
N SERIES



FEATURES

- High strength solderless service connector made of high-copper alloy for copper and copperweld wires.
- Type for three maximum wire sizes.

RATINGS



CAT. NO.	MAXIMUM WIRE SIZE	MIN. TAP WITH MAX. RUN	STD. CTN. QTY.
N-8L	8 STR	14 STR	100
N-6L	6 STR	12 STR	100
N-4L	4 STR	12 STR	75
N-3L	3 STR	10 STR	40
N-2L	2 STR	10 STR	30

SPLIT BOLT CONNECTORS
Copper Tin Plated
Split Bolts
N-SP SERIES



FEATURES

- Aluminum to copper.
- Aluminum to aluminum.
- Steel to aluminum.
- Copper to copper.
- Steel to copper.
- Electro-finned body.
- UL listed for copper and copperweld wires only.
- Includes nut, spacer and pressure pad.

RATINGS



CAT. NO.	CONDUCTOR			ACSR		WIRE DIA. RANGE IN.	REC. TORQUE (IN. LB.)	STD. CTN. QTY.
	RANGE OF EQUAL MAIN & TAP	MIN. TAP WITH ONE MAX. MAIN	RANGE OF MAIN OR TAP	MIN.	MAX.			
	MIN.	MAX.						
N-6SP	14 STR	8 STR	14 STR	—	8	0.073 - 0.146	165	100
N-4SP	10 STR	6 STR	10 SOL	—	6	0.116 – 0.184	165	75
N-3SP	8 SOL	3 STR	8 SOL	6	4	0.128 – 0.258	275	50
N-2SP	8 SOL	2 STR	8 SOL	6	2	0.128 – 0.316	275	40
N-1/OSP	6 SOL	1/0 STR	10 SOL	6	1	0.162 – 0.375	385	20
N-2/OSP	6 STR	2/0 STR	10 SOL	6	1/0	0.184 – 0.419	385	15
N-3/OSP	4 STR	3/0 STR	6 SOL	6	2/0	0.198 – 0.470	500	10
N-250SP	4 STR	250 MCM	4 STR	4	4/0	0.232 – 0.575	650	6
N-350SP	3/0 STR	350 MCM	1 SOL	2/0	350	—	650	4
N-500SP	3/0 STR	500 MCM	1/0 STR	2/0	477 18/1	—	825	3
N-750SP	250 MCM	750 MCM	2/0 STR	4/0	666.6	—	1000	2
N-1000SP	250 MCM	1000 MCM	4/0 STR	300	900	—	1100	2

SPLIT BOLT CONNECTORS
Aluminum Dual Rated
Split Bolts
APS SERIES



FEATURES

- Made from tin-plated aluminum.
- UL-486B listed for aluminum and copper conductor combinations.

RATINGS



CAT. NO.	RANGE OF EQUAL MAIN AND TAP (COPPER AND ALUMINUM)	WIRE DIAMETER RANGE (INCHES)	RECOMMENDED TORQUE (IN. LB.)	STD. CTN. QTY.
APS06	10 SOL. – 6 STR	0.101 – 0.184	165	100
APS04	10 SOL. – 4 STR	0.101 – 0.232	165	75
APS02	8 STR. – 2 STR	0.146 – 0.292	275	40
APS11	8 SOL. – 1/0 STR	0.162 – 0.375	385	20
APS21	2 SOL. – 2/0 STR	0.257 – 0.418	390	15
APS41	6 STR. – 4/0 STR	0.368 – 0.575	650	6
APS350*	2/0 STR. – 350 MCM	0.414 – 0.681	650	3
APS500	3/0 STR. – 500 MCM	0.464 – 0.814	825	2

* Not CSA Approved



CONNECTORS

Service Post Connectors One-Wire Type

SPM SERIES



FEATURES

- Made from high copper content hard-drawn rod; used for connecting one or two conductors.
- Lay-in feature makes them excellent for continuous loop grounding and bonding.
- Used to ground to bar or plate.
- Suitable for direct burial in earth or concrete.

RATINGS



CAT. NO.	CONDUCTOR RANGE	STUD SIZE	HEX NUT	STD. CTN. QTY.
SPM-1L	12 SOL - 8 STR	0.250 X 20-1	0.375 X 24	25
SPM-2L	8 SOL - 7 STR	0.250 x 20-1	0.437 x 20	25
SPM-3L	10 SOL - 4 STR	0.312 x 18-1	0.500 x 20	25
SPM-4L	6 SOL - 3 STR	0.375 x 16 – 1.125	0.562 x 18	12
SPM-5L	4 STR - 2 STR	0.375 x 16 – 1.125	0.625 x 18	12
SPM-6L	6 SOL - 1/0 STR	0.500 x 13 – 1.250	0.750 x 16	12
SPM-7L	1 SOL - 2/0 STR	0.500 x 13 – 1.250	0.875 x 14	6
SPM-9L	3/0 SOL - 4/0 STR	0.625 x 11 – 1.500	1.125 X 11	3

CONNECTORS
Service Post Connectors
Two-Wire Type
SPM SERIES



FEATURES

- Made from high copper content hard-drawn rod; used for connecting one or two conductors.
- Lay-in feature makes them excellent for continuous loop grounding and bonding.
- Used to ground to bar or plate.
- Suitable for direct burial in earth or concrete.

CAT. NO.	CONDUCTOR RANGE	STUD SIZE	HEX NUT	STD. CTN. QTY.
SPM-21L	12 SOL - 8 STR	0.250 x 20 – 1	0.375 x 24	25
SPM-22L	10 SOL - 7 STR	0.250 x 20 – 1	0.437 x 20	25
SPM-23L	8 SOL - 5 STR	0.312 x 18 – 1	0.500 x 20	25
SPM-24L	6 SOL - 3 STR	0.375 x 16 – 1.125	0.562 x 18	12
SPM-25L	10 SOL - 2 STR	0.375 x 16 – 1.125	0.625 x 18	12
SPM-26L	4 SOL - 1/0 STR	0.500 x 13 – 1.250	0.750 x 16	12
SPM-27L	2 SOL - 2 STR	0.500 x 13 – 1.250	0.875 x 14	6
SPM-29L	1 SOL - 4/0 STR	0.625 x 11 – 1.500	1.125 X 11	3

TAP CONNECTORS
Two-Bolt Bronze
For Copper To Copper
TC SERIES



FEATURES

- Made from high strength bronze castings – assurance against stress corrosion and season cracking.
- Designed for heavy-duty service connections.
- The cap swivels to permit quick and easy installation of conductors.
- Retaining rubber washer eliminates loose parts.
- Silicon bronze hardware.
- Flat back permits use as bus tap when used with longer bolts.

CAT. NO.	MAIN WIRE RANGE		TAP WIRE RANGE		STD. CTN. QTY.
	MAX.	MIN.	MAX.	MIN.	
TC 1/0	1/0 STR	2 SOL	1/0 STR	6 SOL	10
TC 2/0	2/0 STR	1 SOL	2/0 STR	6 SOL	10
TC 4/0	4/0 STR	2/0 STR	4/0 STR	6 SOL	6
TC 350	350 MCM	4/0 STR	350 MCM	4 SOL	5
TC 500	500 MCM	350 MCM	500 MCM	4 SOL	5
TC 800	800 MCM	600 MCM	800 MCM	2 SOL	3
TC 1000	1000 MCM	750 MCM	1000 MCM	2 SOL	2

TAP CONNECTORS
Two-Bolt Bronze
For Aluminum, Copper
and Steel
TCP SERIES



FEATURES

- All parts are tin plated.
- Made from high strength bronze castings with high conductivity spacer bar.
- Designed for heavy-duty service connections.
- The cap swivels to permit quick and easy installation of conductors.
- Retaining rubber washer eliminates loose parts.
- Silicon bronze hardware.
- Flat back permits use as bus tap when used with longer bolts.

CAT. NO.	MAIN WIRE RANGE		TAP WIRE RANGE		STD. CTN. QTY.
	MAX.	MIN.	MAX.	MIN.	
TCP 1/0	1/0 STR	2 SOL	1/0 STR	6 SOL	10
TCP 2/0	2/0 STR	1 SOL	2/0 STR	6 SOL	10
TCP 4/0	4/0 STR	2/0 STR	4/0 STR	6 SOL	6
TCP 350	350 MCM	4/0 STR	350 MCM	4 SOL	5
TCP 500	500 MCM	350 MCM	500 MCM	4 SOL	5
TCP 800	800 MCM	600 MCM	800 MCM	2 SOL	3
TCP 1000	1000 MCM	750 MCM	1000 MCM	2 SOL	2

EASY-TAP™

IPCS Series – Insulation Piercing Connectors

IPCS SERIES



FEATURES

- Safe to use.
- No need to strip wire and totally insulated.
- No tape or cover needed.
- No contact at any point with a live part.
- Can be installed on energized conductors.
- Versatile and reliable.
- No spacer required between connections.
- Exclusive "turbo spacer" keeps tap side open while main conductor is being tightened.
- No need for a third hand to install.
- Watertight and corrosion-free.
- Connection sealed by a rubber grommet.
- No migration of water.
- No contamination between main and tap.
- Connectors handle a large wire range of #14 AWG to 750MCM.
- Double shear-head bolts ensure perfect connection every time Hot spots eliminated.
- Can be used as a splice or a tap.
- Easy to install and no special tools required.
- For copper-to-copper, copper-to-aluminum and aluminum-to-aluminum applications.
- Suitable for solid and/or stranded wires.
- 4 sizes are approved for use with bare wire (from 4/0 to #10) - these connectors come with a blue insert which re-creates the insulation and avoids any damage to the conductor.

RATINGS



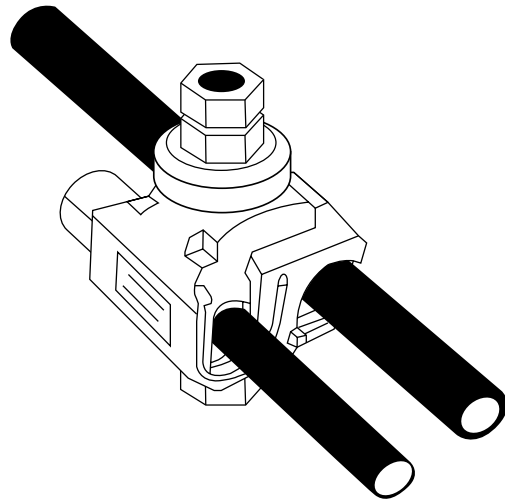
UL486B listed.
Meets ANSI C119.4 requirements.

TEMPERATURE RATING:

90 °C.

VOLTAGE:

600V.





CAT. NO.	CONDUCTOR RANGE		CURRENT RATING		DIMENSIONS (IN)			NO. OF BOLTS	STD. PACK QTY.	STD. CTN. QTY.
	MAIN AWG	TAP AWG	CU AMP	AL AMP	HEIGHT	WIDTH	LENGTH			
IPCS2001*	2/0 – 4	10 – 14	55	40	3.000	1.800	2.200	1	1	6
IPCS7501*	750 – 3/0	10 – 14	55	40	3.700	2.400	2.600	1	1	6
IPCS1002	1/0 – 8	2 – 10	190	150	3.100	1.800	2.200	1	1	6
IPCS1010	1/0 – 8	1/0 – 8	190	150	3.100	1.800	2.200	1	1	6
IPCS4002*	4/0 – 3	2 – 10	190	150	3.100	1.800	2.200	1	1	6
IPCS4020	4/0 – 2	2/0 – 6	300	235	3.300	2.200	2.600	1	1	4
IPCS4040	4/0 – 2	4/0 – 4	405	315	3.300	2.400	3.500	1	1	4
IPCS2540**	250 – 1	4/0 – 4	405	315	3.500	2.200	2.600	1	1	4
IPCS3535**	350 – 1/0	350 – 1/0	570	445	4.500	3.000	3.900	2	1	2
IPCS5040**	500 – 2/0	4/0 – 4	405	315	4.500	3.000	3.900	2	1	2
IPCS5035**	500 – 4/0	350 – 1/0	570	445	4.500	3.000	3.900	2	1	2
IPCS7550**	750 – 250	500 – 250	700	545	4.700	3.300	4.300	2	1	2

*Cannot be used with bare wire or as a splice

**Cannot be used with bare wire

All sizes can be installed on energized main conductor, however, the tap must not be under load.

Not recommended for use with extra-flexible cables.

Not approved for submersible applications.

CONNECTOR BLOKS™
Single Primary
Multiple Secondary
Connector Blocks
 AS, AM, AL SERIES



SINGLE PRIMARY, MULTIPLE SECONDARY

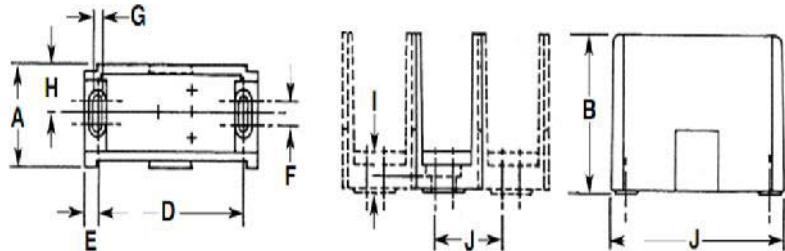


- Each block can stand alone or combine with other blocks to form a multi-block set.
- Add as many holes as you need, in any configuration you want!
- There are no end pieces or connector pieces to fool around with.
- The connector body is made from high strength, high conductivity aluminum alloy and is mounted in a high strength glass-filled polyester base.
- Default SCCR Rating 10,000 Amps.

CONNECTOR BLOK COVERS



- See-through clear acrylic covers permit visual inspection.
- Snaps easily into place.
- Just three sizes fit all styles and configurations of Connector Bloks*.





CONFIGURATION		CAT. NO.	AMPS PER POLE	LENGTH	HEIGHT	WIDTH	STD. PKG. QTY.	STD. CTN. QTY.
LINE SIDE	LOAD SIDE							
2/0-14 AWG	4-14 AWG	AS-K1-H4	175	2.900	2.340	1.040	1	3
2/0-14 AWG	4-14 AWG	AS-K1-H6	175	2.900	2.340	1.040	1	3
350MCM-6 AWG	4-14 AWG	AM-P1-H6	310	4.000	2.620	1.710	1	3
350MCM-6 AWG	4-14 AWG	AM-P1-H12	310	4.000	2.620	1.710	1	3
350MCM-6 AWG	2/0-14 AWG	AL-P1-K6	310	5.500	3.250	2.900	1	3
500MCM-4 AWG	4-14 AWG	AM-R1-H12	380	4.000	2.620	1.710	1	3
500MCM-4 AWG	2/0-14 AWG	AL-R1-K6	380	5.500	3.250	2.900	1	3
500MCM-4 AWG	4/0-6 AWG	AL-R1-M4	380	5.500	3.250	2.900	1	3
1000-250 MCM	2/0-14 AWG	AL-V1-K6	545	5.500	3.250	2.900	1	1

CAT. NO.	FOR USE WITH CONNECTOR BLOCKS SERIES WITH PREFIX	STD. CTN. QTY.
CS	AS*	12
CM	AM	9
CL	AL	6

*Not suitable for use with Catalog No. AS-K2-H6. AS-K2-K2 and AS-K1-H6.

CONNECTOR BLOKS™
Multiple Primary
Multiple Secondary
Connector Blocks
 AS, AM, AL SERIES



SINGLE PRIMARY, MULTIPLE SECONDARY

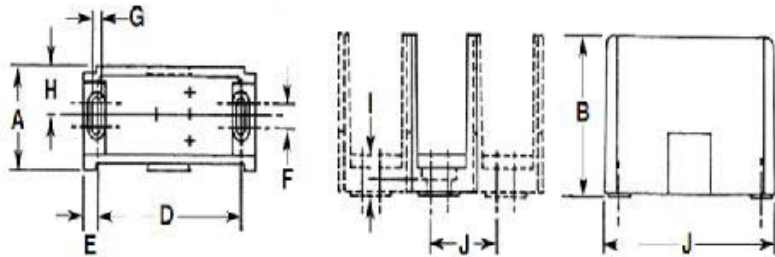


- Compact.
- Versatile.
- 90 °C.
- 600V.
- Durable.
- High-impact bases.
- One-piece connectors.
- No assembly on job site.
- Default SCCR Rating 10,000 Amps.


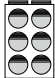
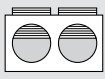
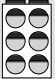
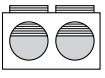

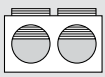
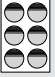
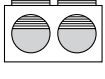
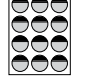
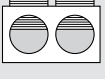
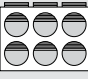
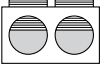
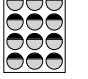
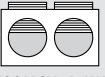


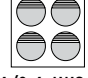
CONNECTOR BLOK COVERS



- See-through clear acrylic covers permit visual inspection.
- Snaps easily into place.
- Just three sizes fit all styles and configurations of Connector Bloks*.





CONFIGURATION		CAT. NO.	AMPS PER POLE	LENGTH	HEIGHT	WIDTH	STD. PKG. QTY.	STD. CTN. QTY.
LINE SIDE	LOAD SIDE							
 2/0-14 AWG	 4-14 AWG	AS-K2-H6	350	2.900	2.340	1.040	1	3
 2/0-14 AWG	 4-14 AWG	AM-K2-H6	350	4.000	2.620	1.710	1	3
 2/0-14 AWG	 4-14 AWG	AM-K2-H12	350	4.000	2.620	1.710	1	3
 2/0-14 AWG	 2-14 AWG	AM-K2-I6	350	4.000	2.620	1.710	1	3
 350MCM-6 AWG	 4-14 AWG	AL-P2-H12	620	5.500	3.250	2.900	1	3
 350MCM-6 AWG	 2/0-14 AWG	AL-P2-K6	620	5.500	3.250	2.900	1	3
 500MCM-4 AWG	 4-14 AWG	AL-R2-H12	760	5.500	3.250	2.900	1	3
 500MCM-4 AWG	 2/0-14 AWG	AL-R2-K6	760	5.500	3.250	2.900	1	3
 500MCM-4 AWG	 4/0-6 AWG	AL-R2-M4	760	5.500	3.250	2.900	1	3

CAT. NO.	FOR USE WITH CONNECTOR BLOCKS SERIES WITH PREFIX	STD. CTN. QTY.
CS	AS*	12
CM	AM	9
CL	AL	6

*Not suitable for use with Catalog No. AS-K2-H6. AS-K2-K2 and AS-K1-H6.

CONNECTOR BLOKS™
Splice Reducer
Primary Secondary
Connector Blocks
 AS, AM, AL SERIES



SINGLE PRIMARY, MULTIPLE SECONDARY

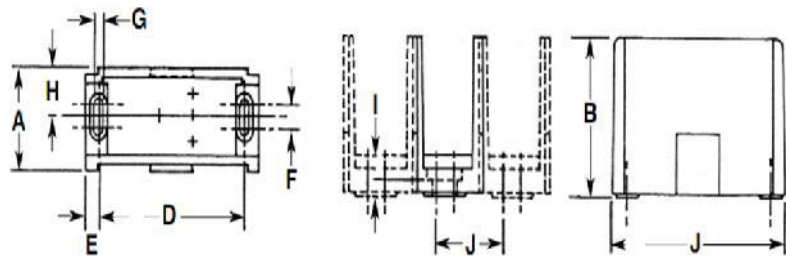


- Compact.
- Versatile.
- 90 °C.
- 600V.
- Durable.
- High-impact bases.
- One-piece connectors.
- No assembly on job site.
- Default SCCR Rating 10,000 Amps.

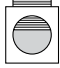
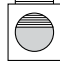
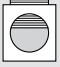
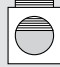
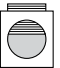
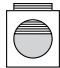


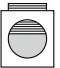
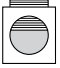


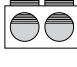
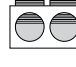


CONNECTOR BLOK COVERS



- See-through clear acrylic covers permit visual inspection.
- Snaps easily into place.
- Just three sizes fit all styles and configurations of Connector Bloks*.





CONFIGURATION		CAT. NO.	AMPS PER POLE	LENGTH	HEIGHT	WIDTH	STD. PKG. QTY.	STD. CTN. QTY.
LINE SIDE	LOAD SIDE							
 2-14 AWG	 2-14 AWG	AS-I1-I1	115	2.900	2.340	1.040	1	3
 2/0-14 AWG	 2/0-14 AWG	AS-K1-K1	175	2.900	2.340	1.040	1	3
 250MCM-6 AWG	 250MCM-6 AWG	AM-N1-N1	310	4.000	2.620	1.710	1	3
 350MCM-6 AWG	 350MCM-6 AWG	AM-P1-P1	350	4.000	2.620	1.710	1	3
 500MCM-4 AWG	 500MCM-4 AWG	AM-R1-R1	380	4.000	2.620	1.710	1	3
 2/0-14 AWG	 2/0-14 AWG	AS-K2-K2	350	2.900	2.340	1.040	1	3
 350MCM-6 AWG	 350MCM-6 AWG	AL-P2-P2	620	5.500	3.250	2.900	1	3
 500MCM-4 AWG	 500MCM-4 AWG	AL-R2-R2	760	5.500	3.250	2.900	1	3

CAT. NO.	FOR USE WITH CONNECTOR BLOCKS SERIES WITH PREFIX	STD. CTN. QTY.
CS	AS*	12
CM	AM	9
CL	AL	6

*Not suitable for use with Catalog No. AS-K2-H6. AS-K2-K2 and AS-K1-H6.

TERMINAL BLOKS™
Double Row
9/16" Centers, 600V
TB SERIES



FEATURES

- Heavy duty construction with corrosion-resistant terminal plates ensures dependable, easy-access multiple terminations.
- Made from strong, glass-filled polyester.
- Screws are #8 stud size.
- Other sizes and styles available.
- Contact NSI for price and availability.

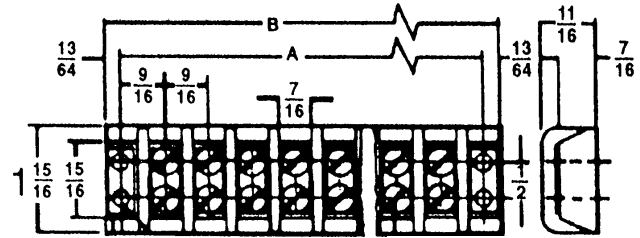
TEMPERATURE RATING:

208 °C.

VOLTAGE:

30AMP.

600V Max.



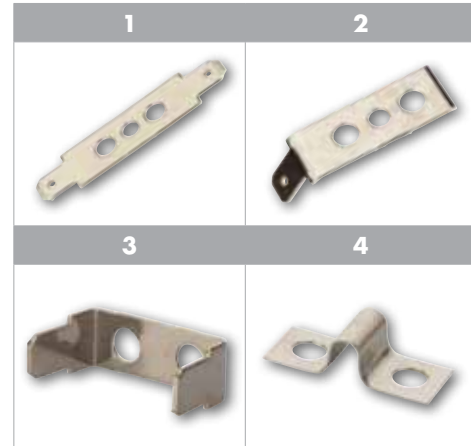
CAT. NO.	NUMBER OF CIRCUITS	DIMENSIONS		STD. CTN. QTY.
		A	B	
TB3096-2	2	1.688	2.109	10
TB3096-4	4	2.812	3.250	10
TB3096-6	6	3.938	4.375	6
TB3096-8	8	5.062	5.500	4
TB3096-10	10	6.203	6.625	4
TB3096-12	12	7.328	7.750	3
TB3096-14	14	8.453	8.875	3

TERMINAL BLOKS™
Hardware Options
FQC SERIES



FEATURES

- Nickel plated.
- 0.250 x 0.30 tab size.
- 22-14AWG wire size.



RATINGS

VOLTAGE:
 30AMP.
 600V Max.

CAT. NO.	FIGURE NO.	DESCRIPTION	STD. CTN. QTY.
FQC-00	1	quick disconnect – 0° flat	10
FQC-45	2	quick disconnect – 45° bend	10
FQC-90	3	quick disconnect – 90° bend	10
J-30	4	30 AMP jumper	10

TERMINAL BLOKS™
Splicer/Reducers
75 Amps 600V
TBS SERIES



FEATURES

- Terminal Bloks™ power terminal blocks are made from high conductivity bodies and will accept either copper or aluminum conductors on the line side.
- The bases are manufactured from high strength phenolic compound.
- Contact NSI for price and availability.
- 2-14 AWG.

RATINGS



TEMPERATURE RATING:
 150 °C.

CAT. NO.	NO. OF POLES	WIRE RANGE	LENGTH	HEIGHT	WIDTH	STD. CTN. QTY.
TBS2-2	2	2-14 AWG CU or AL	1.750	1.250	1.500	6
TBS2-3	3	2-14 AWG CU or AL	2.380	1.250	1.500	6

CONNECTORS



TERMINAL BLOKS™
Rail Mounted Modular
Terminal Block
Hardware Options
DRT, FTB, DRE, DRJ SERIES



RAIL MOUNTED MODULAR



- NSi din rail mounted terminal blocks are a cost-effective and intelligent solution to connecting and terminating a wide variety of sizes and styles of wiring in a neat and professional manner.
- Individual blocks can easily be inserted or removed without disturbing adjacent blocks.
- Insertion is made by snapping the block in place by hand.
- Only a screwdriver is needed for removal.
- Mounting rail is fastened by screws to the mounting surface.
- No special brackets or hardware are needed.
- Component pieces may be mixed in an assembly.
- Blocks form their own barriers.
- Blocks include integral mounting feet with screw slot for direct panel mounting, if desired.

TERMINAL BLOCKS-HARDWARE OPTIONS



- Made from 35mm unplated 6061-T6 Aluminum alloy providing for a strong, lightweight rail for mounting sockets, terminal blocks or other electro-mechanical devices.
- Comes supplied with oval holes 1.1 cm, approximately x 0.4 cm apart.
- Standard 10mm height allows for ease of installation vs. traditional 7.5mm height.

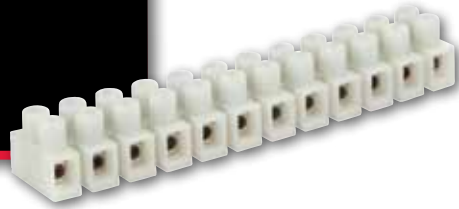


CAT. NO.	HEIGHT	LENGTH	STD. CTN. QTY
DR3910	10 mm	39.3"	10



CATALOG NO.	FIG. NO.	DESCRIPTION	STD. CTN. QTY.
25 AMP TERMINAL BLOCK			
DRTB25F	1	Will accept #22 to two #12 wires per terminal and include captive wire clamps for use with stranded or solid wire or ring terminals. Flat top marking with either pen or stick-on labels. Rated 25 Amps, 600 Volts.	50
50 AMP TERMINAL BLOCK			
DRTB50	2	The DRTB50 block uses a box type connector to accept up to a #8 str. Requires only 3/8" per point, allowing 32 points per foot. Provides 3/8" square marking area. Rated 50 Amps, 600 Volts, 94V-0 Rated housing.	25
SINGLE POLE DISCONNECT			
DRDTB-1	3	The DRD Series of Disconnect Blocks may be used in a single-pole function or linked together with other disconnects to form multiple pole assemblies. Rated 15 Amps per pole. Accepts #22 to two #12 wires per terminal.	10
2 POLE DISCONNECT			
DRDTB-2	4	Two single-pole disconnects with an interlocked handle so that operation on any pole operates all poles. This unique assembly makes it possible to interlock the isolation of different control panel functions without using expensive relays or cam switches.	6
DRFTB FUSE BLOCK			
DRFTB	5	The DRFTB Fuse Block accepts 13/32" dia. by 1 1/2" long cartridge fuses through 25 Amps, 600 Volts. The fusible block requires 3/4" rail taking exactly two standard terminal blocks.	10
FUSE PULLER			
FTBFP	6	The FTBFP is supplied red as standard.	25
END BARRIER			
DREB	7	Each assembly of blocks requires only an end barrier on each end of the assembly. It acts as both the end barrier for the block and retains the blocks on the rail.	50
JUMPER			
DRJS2	8	Jumper strap from one point to another on 25 Amp terminal block.	100

TERMINAL BLOKS™
Insulated Terminal Block
ITB SERIES



FEATURES

- Nylon 66 housing ensures 'touchproof' safety.
- Recessed screws and tubular contacts provide additional safety and help prevent short circuits.
- Integrated stainless steel spring wire protectors prevent twisting and breaking of stranded wires during installation.
- Tubular contacts connect stripped solid or stranded un-terminated wire directly to each contact.
- Modular design allows for connector to be cut into smaller sections or stacked end-to-end.
- Brass metal alloy, nickel plated terminal insert.
- Zinc plated, yellow chromed screws.

RATINGS



Rated UL 94V-2.

TEMPERATURE RATING:

110 °C.

VOLTAGE:

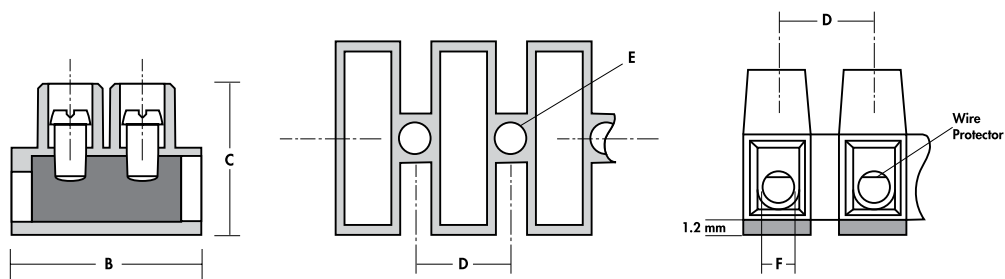
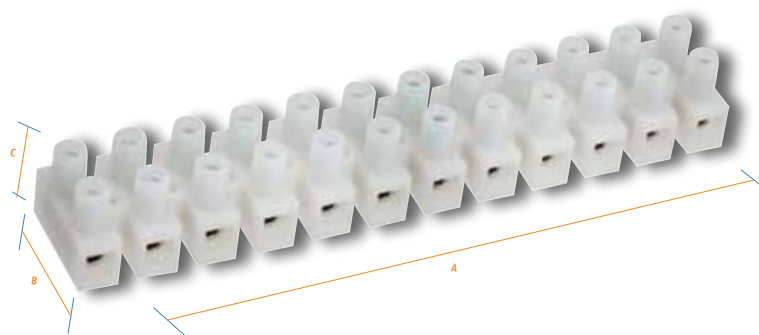
300V.

CAT. NO.	NO. OF CIRCUITS	RATINGS
ITB20-12	12	RU
		CSA
ITB30-12	12	RU
		CSA
ITB35-12	12	CRU
ITB50-12	12	CRU



AMPS	WIRE RANGE	DIMENSIONS						STD. CTN. QTY.
		A	B	C	D	E	F	
20	22-12	3.787	0.669	0.570	0.315	0.114	0.110	50
10	20-18							
30	22-10	4.626	0.795	0.670	0.394	0.142	0.134	50
20	18-14							
35	22-10	5.540	0.937	0.748	0.472	0.154	0.154	40
50	20-8	6.220	1.008	0.992	0.531	0.173	0.189	25

DIMENSIONS



MULTIPLE CONNECTORS Used In Neutral Assemblies And Grounding Applications



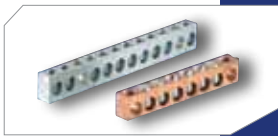
FEATURES

- Multiple connectors are made from either copper or aluminum bar and can be used in a variety of neutral and grounding applications.
- Aluminum connectors are fin plated for low contact resistance and are suitable for use with copper or aluminum conductors. Aluminum connectors are dual rated for use with aluminum and copper cables.
- Copper connectors are suitable for use with copper wire only. The
- 4-14 AWG multiple connectors can be custom made in any number of wire holes up to 190 holes.
- Contact NSi for price and delivery information.

RATINGS



CAT. NO.	MATERIAL
4-14 (32)	Aluminum
4-14 (53)	Aluminum
4-14 (63)	Aluminum
4-14 (74)	Aluminum
4-14 (614)	Aluminum
4-14 (717)	Aluminum
4-14 (726)	Aluminum
4-14 (847)	Aluminum
4-14 (937)	Aluminum
4-14 (11111)	Aluminum
4-14 (12112)	Aluminum
4-14 (14114)	Aluminum
4-14 (17117)	Aluminum
4-14 (22122)	Aluminum
4-14 (190)*	Aluminum
2-14 (12311)**	Aluminum
2/0-14 (32)**	Aluminum
2/0-14 (524)**	Aluminum
2/0-14 (818)**	Aluminum
4C-14 (616)	Copper
4C-14 (717)	Copper
4C-14 (818)	Copper
4C-14 (14114)	Copper
4C-14 (15313)	Copper
4C-14 (15611)	Copper
4C-190*	Copper
2C-14 (515)	Copper
2C-14 (827)	Copper

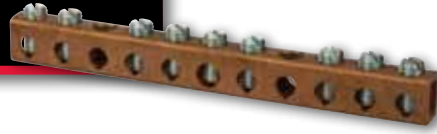


WIRE RANGE	NO. OF CIRCUITS	TOTAL NO. OF HOLES	LENGTH	HEIGHT	WIDTH	HOLE SPACING	MTNG. HOLE POSITION	STD. CTN. QTY.
4-14	2	3	0.950	0.440	0.310	0.312	2	100
4-14	4	5	1.570	0.440	0.310	0.312	3	100
4-14	5	6	1.880	0.440	0.310	0.312	3	100
4-14	6	7	2.250	0.440	0.310	0.312	4	100
4-14	4	6	1.880	0.440	0.310	0.312	1 & 4	100
4-14	5	7	2.250	0.440	0.310	0.312	1 & 7	100
4-14	5	7	2.250	0.440	0.310	0.312	2 & 6	100
4-14	6	8	2.560	0.440	0.310	0.312	4 & 7	100
4-14	7	9	2.870	0.440	0.310	0.312	3 & 7	100
4-14	9	11	3.500	0.440	0.310	0.312	1 & 11	50
4-14	10	12	3.810	0.440	0.310	0.312	1 & 12	50
4-14	12	14	4.430	0.440	0.310	0.312	1 & 14	50
4-14	15	17	5.370	0.440	0.310	0.312	1 & 17	50
4-14	20	22	6.930	0.440	0.310	0.312	1 & 22	50
4-14	190	190	60.000	0.440	0.310	0.312	—	10
2-14	10	12	4.120	0.500	0.380	0.340	3 & 11	50
2/0-14	2	3	1.750	0.750	0.560	0.601	2	25
2/0-14	3	5	2.950	0.750	0.560	0.601	2 & 4	25
2/0-14	6	8	4.750	0.750	0.560	0.601	1 & 8	25
4-14	4	6	1.940	0.440	0.310	0.312	1 & 6	100
4-14	5	7	2.250	0.440	0.310	0.312	1 & 7	100
4-14	6	8	2.56	0.440	0.310	0.312	1 & 8	100
4-14	12	14	4.430	0.440	0.310	0.312	1 & 14	50
4-14	13	15	4.740	0.440	0.310	0.312	3 & 13	50
4-14	13	15	4.740	0.440	0.310	0.312	6 & 11	50
4-14	190	190	60.000	0.440	0.310	0.312	—	10
2-14	3	5	2.000	0.500	0.380	0.397	1 & 5	50
2-14	6	8	3.250	0.500	0.380	0.397	2 & 7	50

*Supplied with screws unassembled.

**Not UL Rated.

MULTIPLE CONNECTORS
Copper Neutral
Connectors
CN SERIES



FEATURES

- NSi copper neutral connectors are manufactured from high strength pure electrolytic copper tube to ensure both maximum strength and conductivity.
- Plain copper finish.
- Suitable for use with copper conductors only.

RATINGS



CAT. NO.	LINE NO.	LINE RANGE	NO. OF CIRCUITS	CIRCUIT RANGE	MTG. HOLES	LENGTH	HEIGHT	WIDTH	STD. CTN. QTY.
CN70-10-1	1	4-14	8	6-14	2 x .20	4.370	0.750	0.340	100
CN70-14-1	1	4-14	12	6-14	2 x .20	5.940	0.750	0.340	100

MULTIPLE CONNECTORS
Combination
Connectors
CB SERIES



FEATURES

- Multiple combination connectors are made from aluminum and are tin-plated for low contact resistance.
- Suitable for use with both copper and aluminum conductors.
- Each connector contains a combination of 1/0-14 AWG and 6-14 AWG wire holes.
- Economical and compact innovative design and hole spacing.
- Dual rated for use with aluminum and copper cables.

RATINGS



CAT. NO.	NUMBER OF CIRCUITS		LENGTH	STD. CTN. QTY.
	1/0-14 AWG	6-14 AWG		
CB-11	3	8	3.500	25
CB-19	5	14	5.810	25
CB-23	6	17	7.000	25
CB-120	30	90	36.000	10

NEUTRAL CONNECTORS

Neutral 225A

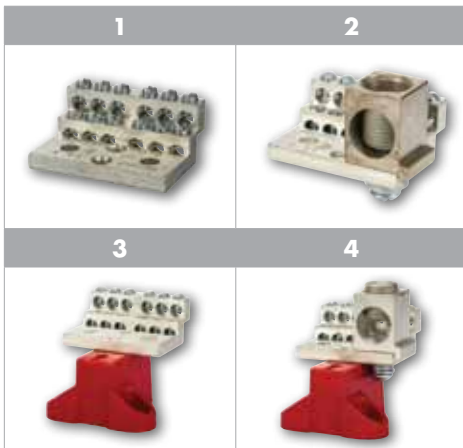
600 VAC



FEATURES

- These stacked neutral assemblies offer the ultimate in compact design and performance.
- Wire holes are stacked to minimize width. One-piece construction provides superior mechanical performance.
- Made from high strength 6061T-6 aluminum alloy.
- Options include a 350 MCM main lug and a high strength, glass-filled polyester mounting base for isolated mounting.
- Available in 12 to 42 wire holes (4-14 AWG).

RATINGS



CATALOG NO.	FIGURE NO.
1012	1
1012M	2
1012B	3
1012MB	4
1018	1
1018M	2
1018B	3
1018MB	4
1024	1
1024M	2
1024B	3
1024MB	4
1030	1
1030M	2
1030B	3
1030MB	4
1036	1
1036M	2
1036B	3
1036MB	4
1042	1
1042M	2
1042B	3
1042MB	4



NO. OF 4-14 AWG CIRCUITS	MAIN LUG SIZE	MOUNTING BASE	LENGTH	HEIGHT	WIDTH	STD. CTN. QTY.
12	none	no	2.068	0.875	1.500	1
12	350-6	no	2.193	1.375	1.500	1
12	none	yes	2.068	2.250	2.250	1
12	350-6	yes	2.193	2.750	2.250	1
18	none	no	3.132	0.875	1.500	1
18	350-6	no	3.257	1.375	1.500	1
18	none	yes	3.132	2.250	2.250	1
18	350-6	yes	3.257	2.750	2.250	1
24	none	no	4.196	0.875	1.500	1
24	350-6	no	4.321	1.375	1.500	1
24	none	yes	4.196	2.250	2.250	1
24	350-6	yes	4.321	2.750	2.250	1
30	none	no	5.260	0.875	1.500	1
30	350-6	no	5.385	1.375	1.500	1
30	none	yes	5.260	2.250	2.250	1
30	350-6	yes	5.385	2.750	2.250	1
36	none	no	6.324	0.875	1.500	1
36	350-6	no	6.449	1.375	1.500	1
36	none	yes	6.324	2.250	2.250	1
36	350-6	yes	6.449	2.750	2.250	1
42	none	no	7.388	0.875	1.500	1
42	350-6	no	7.513	1.375	1.500	1
42	none	yes	7.388	2.250	2.250	1
42	350-6	yes	7.513	2.750	2.250	1

MULTIPLE CONNECTORS

Combination Connectors



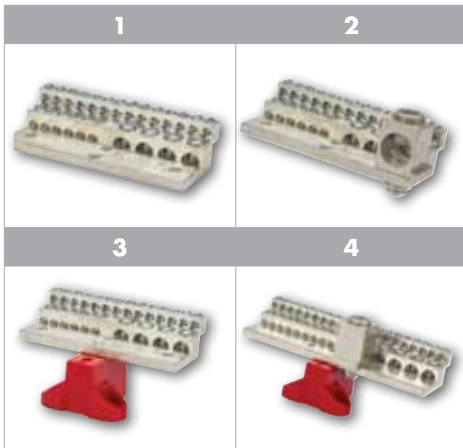
FEATURES

- Multiple combination connectors are made from aluminum and are tin-plated for low contact resistance.
- Suitable for use with both copper and aluminum conductors.
- Each connector contains a combination of 1/0-14 AWG and 6-14 AWG wire holes.
- Economical and compact due to innovative design and hole spacing.
- Dual rated for use with aluminum and copper cables.

RATINGS



CAT. NO.	FIG.
2024	1
2024M	2
2024MB	4
2030	1
2030M	2
2030B	3
2030MB	4
2036	1
2036M	2
2036MB	4
2042M	2
2042MB	4





NO. OF 4-14 AWG CIRCUITS	NO. OF 1/0-14 AWG CIRCUITS	MAIN LUG SIZE	MOUNTING BASE	LENGTH	HEIGHT	WIDTH	STD. CTN. QTY.
20	4	None	No	4.332	1.025	1.687	1
20	4	350-6	No	4.457	1.525	1.687	1
20	4	350-6	Yes	4.457	2.900	2.437	1
26	4	None	No	5.244	1.025	1.687	1
26	4	350-6	No	5.369	1.525	1.687	1
26	4	None	Yes	5.244	2.400	2.437	1
26	4	350-6	Yes	5.369	2.900	2.437	1
32	4	None	No	6.156	1.025	1.687	1
32	4	350-6	No	6.281	1.525	1.687	1
32	4	350-6	Yes	6.281	2.900	2.437	1
38	4	350-6	No	7.193	1.525	1.687	1
38	4	350-6	Yes	7.193	2.900	2.437	1

SPLICES AND TAPS

Non-Metallic Splice & Tap

NMS, NMT SERIES



FEATURES

- The NSi NM Splice & Tap method provides a fast and reliable way to connect 12 and 14 AWG circuits using non-metallic (NM) cable. It eliminates the need for junction boxes, covers, fittings, connectors – and is approved for use in a variety of applications including: residential branch circuits, manufactured housing and pre-fabricated building structures. When adding new circuits in residential applications, NM connectors eliminate both the need to cut into the existing wiring and the extra junction boxes and associated hardware required for the tap connection.
- In factory installations within pre-fabricated structures, the NM connectors eliminate costly time-consuming on-site wiring. As individual modules are joined, splices and taps are simply snapped together easily by assembly crews with no special training or tools.
- Termination is easy. Split the cable, remove the sheathing and cut the splice conductors to length (if necessary). With the tap, individual conductors do not need to be stripped, only exposed. Clear cover installation is done with slip-joint pliers. The installation displacement contacts eliminate the need to strip individual conductors. Simply plug the connectors together and the installation is complete.

RATINGS



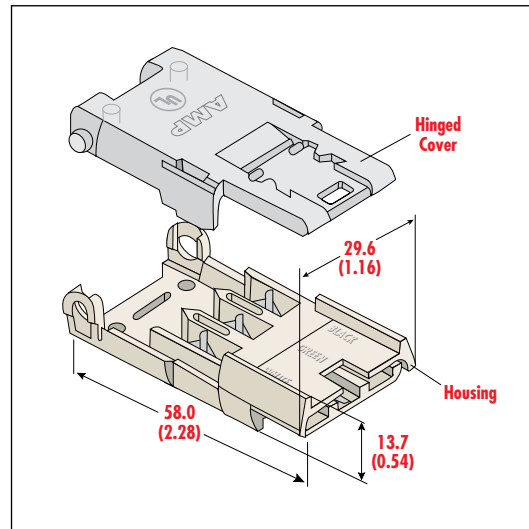
CATALOG NO.

NMS-2

NMS-3

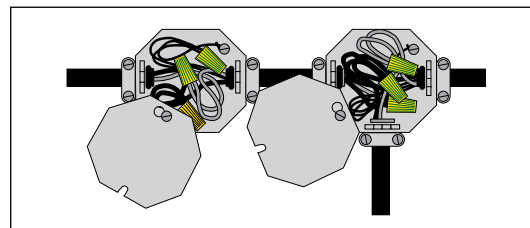
NMT-2

FIG. 1
NMS -2 (SPLICE)



For splicing 12 or 14 awg solid conductor, 2-conductor cable with ground. Hinged cover makes termination fast and easy. The NMS-2 kit includes everything required to make a two conductor splice.

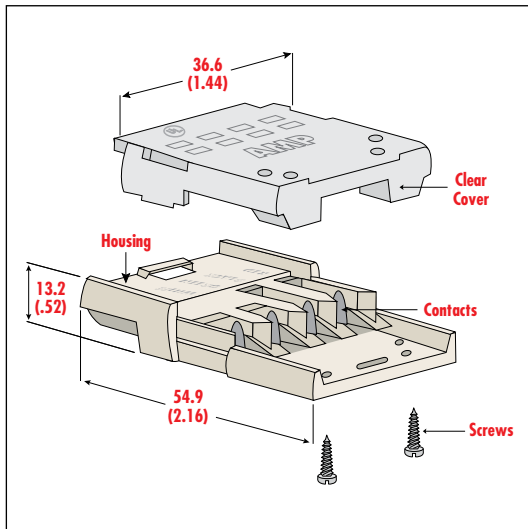
CONVENTIONAL TAPPING METHOD





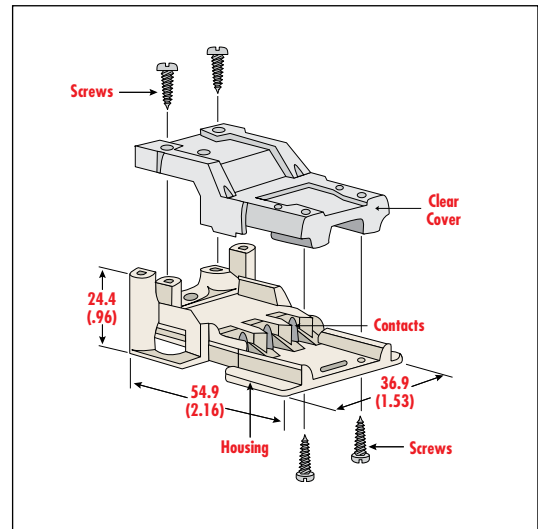
WIRE RANGE	KIT DESCRIPTION	STD. CTN. QTY.
12 – 14 AWG	SPLICE FOR 2-CONDUCTOR CABLE WITH GROUND	25
12 – 14 AWG	SPLICE FOR 3-CONDUCTOR CABLE WITH GROUND	25
12 – 14 AWG	SPLICE AND TAP KIT FOR 2-CONDUCTOR CABLE	12

**FIG. 2
NMS - 3 (SPLICE)**



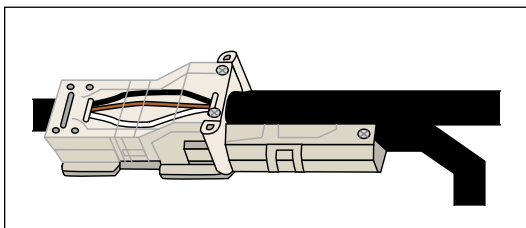
For splicing 12 or 14 awg solid conductor, 3-conductor cable with ground. The NMS-3 kit includes everything required to make a three conductor splice.

**FIG. 3
NMT - 2 (TAP)**



For tapping into 12 or 14 awg solid conductor 2-conductor cable with ground. The NMT-2 kit includes everything required to complete a two conductor tap.

NSi NM SPLICE & TAP METHOD



CONNECTOR ACCESSORIES
Transformer Lug Kits
Mechanical Set-Screw
Types
LK SERIES



FEATURES

- Terminal lugs are dual rated for use with both copper and aluminum cables.

RATINGS



CAT. NO.	TRANSFORMER KVA SIZE
LK-1	15-37-1/2 1Ø
	15-45-3Ø
LK-2	50-75 1Ø
	75-112-1/2 3Ø
LK-3	100-167 1Ø
	150-300 3Ø
LK-4	500 3Ø
LK-5	15-25 1Ø
	15-37 1/2 3Ø
	37 1/2-50 1Ø
LK-6	45-75 3Ø
LK-7	225 3Ø
LK-8	225 3Ø
LK-9	300 3Ø
LK-10	400-500 3Ø



TERMINAL LUGS INCLUDED			HARDWARE INCLUDED		STD. CTN. QTY.
QTY.	LUG TYPE	WIRE RANGE	QTY.	BOLT SIZE	
8	2T	2-14	8	1/4-20X3/4	1
4	250T	250 MCM-6	8	1/4-20X3/4	1
12	250T	250 MCM-6	8	1/4-20 x 3/4	1
12	250T	250 MCM-6	8	1/4-20 x 1 3/4	1
3	250T	250 MCM-6	3	1/4-20 x 3/4	1
22	600T	600 MCM-2	16	3/8-16 x 2	1
29	600T	600 MCM-2	18	3/8-16 x 2	1
7	0T	1/0-14	7	1/4-20 x 1 1/2	1
7	0T	1/0-14	7	1/4-20 x 1 1/2	1
7	250T	250 MCM-6	7	5/16-16 x 1 1/2	1
6	350T	350 MCM-6	7	5/16-16 x 1 1/2	1
3	0T	1/0-14	3	1/4-20 x 1	1
6	2-350T	350 MCM-6	6	1/2-13 x 2	1
6	350T	350 MCM-6	13	3/8-16 x 1 1/2	1
3	500T	500 MCM-4	7	3/8-16 x 2	1
4	2-600T	600 MCM-2	7	3/8-16 x 2	1
3	2-350T	350 MCM-6	7	1/2-13 x 2	1
12	500T	500 MCM-4	4	1/2-13 x 2 1/2	1
16	800T	800-300 MCM	11	1/2-13 x 2 1/2	1
3	2-600T	600 MCM-2	11	1/2-13 x 2 1/2	1

COMPRESSION CONNECTORS

Tool and Die Charts

For Connector Series: L, LN, LNB, GL, GLN, GLNB, SLN, C, SC, SCB

COPPER CONNECTORS

COPPER COMPRESSION CONNECTOR TOOL AND DIE CHART								
CONNECTOR SERIES: L, LN, LNB, GL, GLN, GLNB, SLN, C, SC, SCB								
COPPER CLASS B/C CONDUCTOR SIZE	COPPER CLASS GHKLM FLEX CONDUCTOR SIZE W/ LB, LNB, GLB, GLNB AND SCB SERIES ONLY	COPPER CLASS DLO CONDUCTOR SIZE W/ LB, LNB, GLB, GLNB AND SCB SERIES ONLY	MIN. # OF CRIMPS REQUIRED	COPPER COLOR CODE	NSI DIE	NSI/GREENLEE DIE	ILSCO DIE	BURNDY DIE
8 AWG	-	-	1	RED	-	KC12-8	ILD-1, ILD-21	U8CRT
6 AWG	-	-	1	BLUE	CD2	KC12-6	ILD-2, ILD-24	U5CRT
4 AWG	-	-	1	GREY	CD3	KC12-4	ILD-3, ILD-29	U4CRT
3 AWG	#4 FLEX	-	1	WHITE	-	KC12-3	ILD-29	U3CRT
2 AWG	-	-	1	BROWN	CD4	KC12-2	ILD-4, ILD-33	U2CRT
1 AWG	#2 FLEX	-	1	GREEN	CD5	KC12-1	ILD-4, ILD-37	U1CRT-1
1/0 AWG	#1 FLEX	-	2	PINK	CD6	KC12-1/0	ILD-5, ILD-42	U25RT
2/0 AWG	1/0 FLEX	-	2	BLACK	CD7	KC12-2/0	ILD-6, ILD-45	U26RT
3/0 AWG	2/0 FLEX	-	2	ORANGE	CD10	KC12-3/0	ILD-9, ILD-50	U27RT
4/0 AWG	3/0 FLEX	-	2	PURPLE	CD12	KC12-4/0	ILD-10, ILD-54	U28RT
250 MCM	4/0 FLEX	-	2	YELLOW	CD14	KC12-250	ILD-11, ILD-62	U29RT
300 MCM	250 FLEX	-	2	WHITE	CD15	KC12-300	ILD-12, ILD-66	U30RT
350 MCM	250 FLEX	262.2	2	RED	CD16A	KC12-350	ILD-13, ILD-71	U31RT
400 MCM	300 FLEX	313.1	2	BLUE	CD17	KC12-400	ILD-14, ILD-76	U32RT
500 MCM	350 FLEX	373.7	2	BROWN	CD18	KC12-500	ILD-15, ILD-87	U34RT
600 MCM	400 FLEX	444.4	2	GREEN	CD19	KC12-600	ILD-16, ILD-94	U36RT
700 MCM	500 FLEX	535.3	2	PINK	CD20	KC12-700	ILD-16A, ILD-99	U38RT
750 MCM	600 FLEX	646.6	2	BLACK	CD21	KC12-750	ILD-17, ILD-106	U39RT
1000 MCM	750 FLEX	777.7	2	YELLOW	CD23	-	ILD-18*, ILD-125	P44RT
-	-	-	-	LISTED TOOLS	N1240 NSI-12 P-750	HK1240	ILC-12 ILC-12H ILC-15	Y-35

* REQUIRES 15 TON TOOL

Dieless NSi N121D

T&B DIE	HUSKIE DIE	COPPER CLASS B/C EXPANDED WIRE RANGE WHEN INSTALLED WITH NSI N121D	MIN. # OF CRIMPS REQUIRED
15520	-	8 AWG	1
15522	HT41AT	6-8 AWG	1
15527-CK	HT41AU	4-6 AWG	1
-	HT41AV	3-6 AWG	1
15528	HT41AW	2-6 AWG	1
15513-CK	HT41AX	1-6 AWG	1
15508	HT41AY	1/0-6 AWG	2
15526	HT41AZ	2/0-4 AWG	2
15530	HT41BA	3/0-2 AWG	2
15511	HT41BC	4/0-1 AWG	2
15510-CK	HT41BE	250 MCM-1/0 AWG	2
15534	HT41BF	300 MCM-2/0 AWG	2
15514-CK	HT41BJ	350 MCM-3/0 AWG	2
15512	HT41BK	400 MCM-4/0 AWG	2
15506	HT41BL	500 MCM-250 MCM	2
15536-CK	HT41BM	600 MCM-250 MCM	2
15505	HT41BM	700 MCM-350 MCM	2
15515-CK	HT41BP	750 MCM-500 MCM	2
15603*	HT61BU*	-	2
TBM-15 TBM-14M	EP510C	N121D M-250 M-500 RDC-1/0	N121D M-250 M-500 RDC-1/0

COMPRESSION CONNECTORS

Tool and Die Charts

For Connector Series: CT, CTH

COPPER CONNECTORS

COPPER COMPRESSION CONNECTOR TOOL AND DIE CHART						
CONNECTOR SERIES: CT, CTH						
COPPER CLASS B/C CONDUCTOR SIZE	MAIN / RUN WIRE RANGE	TAP / BRANCH WIRE RANGE	MIN. # OF CRIMPS REQUIRED	COPPER COLOR CODE	NSI DIE	NSI TOOL
CT-101	12 SOL-12 STR	14 SOL-12 STR	1	RED	BARE 8	M-250
CT-102	10 STR 8 STR	10 STR 12 STR	1	LIGHT BLUE	BARE 4	RDC-1/0
CT-103	6 STR 8 STR	10-12 STR 8-10 STR	1	GREY	BARE 4	RDC-1/0
CT-104	4 STR 6 STR	8-12 STR 6-8 STR	1	BROWN	BARE 2	RDC-1/0
CT-105	4 STR 4-5 STR	6-12 STR 6-5 STR	1	GREEN	INS 2	RDC-1/0
CT-106	4 STR 4 STR	4 STR 4 STR	1	PINK	INS 2	RDC-1/0
CT-107	1 STR 2 STR 4 STR	4 STR 4 STR 4 STR	1	BLACK	BG	OD-59
CT-108	1/0 STR 1 STR 2 STR	4 STR 4 STR 2 STR	1	ORANGE	KC12-2/0	N1240
CT-109	2/0 STR 1/0 STR 1/0 STR	4 STR 2 STR 1-2 STR	2	PURPLE	KC12-4/0	N1240
CT-110	3/0 STR 2/0 STR 1/0 STR	4 STR 4 STR 4 STR	2	YELLOW	KC12-250	N1240
CTH-111	1 STR 1/0 STR 2/0 STR 3/0-4/0 STR 4/0 STR	1 STR 1/0-2 STR 2/0-4 STR 1/0-6 STR 1.8 STR	2	BLUE	KC12-250	N1240
CTH-112	2/0 STR 3/0 STR 4/0 STR 250 STR	2/0-1 STR 3/0-2 STR 4/0-4 STR 1/0-8 STR	2	BROWN	KC12-400	N1240
CTH-113	2/0 STR 3/0 STR 4/0 STR 250 STR 300 STR	2/0-1 STR 3/0-2 STR 4/0-4 STR 3/0-6 STR 2/0-8 STR	2	PINK	KC12-400	N1240
CTH-114	4/0 STR 250 STR 300 STR 350 STR	4/0-2/0 STR 250-1 STR 4/0-4 STR 3/0-6 STR	2	BLACK	KC12-500	N1240
CTH-115	250 STR 300 STR 350 STR 400 STR 450 STR 500 STR	250 STR 300-3/0 STR 350-1/0 STR 300-2 STR 250-4 STR 250-6 STR	2	YELLOW	KC12-750	N1240
CTH-116	350 STR 400 STR 450 STR 500 STR	350-4/0 STR 400-2/0 STR 450-1 STR 500-2 STR	2	WHITE	KC12-750	N1240

TOOL AND DIE CHARTS

COPPER COMPRESSION CONNECTOR TOOL AND DIE CHART						
CONNECTOR SERIES: CT, CTH						
COPPER CLASS B/C CONDUCTOR SIZE	MAIN / RUN WIRE RANGE	TAP / BRANCH WIRE RANGE	MIN. # OF CRIMPS REQUIRED	COPPER COLOR CODE	NSI DIE	NSI TOOL
CTH-117	750-500 STR 750 STR	4/0-6 STR 750-4/0 STR	4	-	T&B 15603	T&B TBM-15
CTH-46	4 STR	6 STR	1	-	KC12-1/0	N1240
CTH-44	6 STR 4 STR	4 STR 4 STR	1	-	KC12-1/0	N1240
CTH-24	2 SOL 2 STR	8 SOL 4 STR	1	-	C	OD581
CTH-22	2 SOL 2 STR	2 SOL 2 STR	1	-	C	OD581
CTH-2020	1/0 STR 2/0 STR	1/0 STR 2/0 STR	1	-	0	OD581
CTH-4020	3/0 STR 4/0 STR	1/0 STR 2/0 STR	1	-	D3	OD581
CTH-4040	3/0 STR 4/0 STR	3/0 STR 4/0 STR	1	-	D3	OD581

COMPRESSION CONNECTORS
Tool and Die Charts
For Connector Series: AL, ALN, ASCT
ALUMINUM CONNECTORS

ALUMINUM COMPRESSION CONNECTOR TOOL AND DIE CHART

CONNECTOR SERIES: AL, ALN, ASCT

ALUMINUM CLASS B/C CONDUCTOR SIZE	MIN. # OF CRIMPS REQUIRED	ALUMINUM COLOR CODE	NSI DIE	NSI/GREENLEE DIE	ILSCO DIE	BURNDY DIE	T&B DIE	HUSKIE DIE
8 AWG	1	BLUE	CD2	KA12-8	ILD-2	U8CABT	15522	HT41GL
6 AWG	1	GREY	CD3	KA12-6	ILD-3	U6CABT	15527-CK	HT41GE
4 AWG	1	GREEN	CD5A	KA12-4	ILD-4	U4CABT	15313-CK	HT41GM
2 AWG	1	PINK	CD6A	KA12-2	ILD-7	U2CABT	15508	HT41GF
1 AWG	1	YELLOW	-	KA12-1	ILD-7	U1CABT	15526	-
1/0 AWG	2	TAN	CD9	KA12-1/0	ILD-8	U25ART	15530	HT41EX
2/0 AWG	2	OLIVE	CD11	KA12-2/0	ILD-10	U26ART	15511	HT41EY
3/0 AWG	2	RUBY	CD13	KA12-3/0	ILD-10	U27ART	15532-CK	HT41GW
4/0 AWG	2	WHITE	CD15A	KA12-4/0	ILD-12	U28ART	15534	HT41EZ
250 MCM	2	RED	CD16A	KA12-250	ILD-13	U29ART	15514-CK	HT41FW
300 MCM	2	BLUE	CD17A	KA12-300	ILD-14	U30ART	15512	HT41GZ
350 MCM	2	BROWN	CD18A	KA12-350	ILD-14	U31ART	15506	HT41FA
400 MCM	2	GREEN	CD19A	KA12-400	ILD-16	U32ART	15536-CK	HT41HH
500 MCM	2	PINK	CD20	KA12-500	ILD-16A	U34ART	15505	HT41FB
600 MCM	2	BLACK	CD21A	KA12-600	ILD-17	U36ART	-	HT41HG
750 MCM	2	RED	CD22	KA12-750	ILD-18	U39ART-2	15504	HT41LJ
1000 MCM	2	BROWN	-	-	ILD-P302*	P44ART*	15602	-
-	-	LISTED TOOLS	N1240 NSI-12 P-750	HK1240	ILC-12 ILC-12H ILC-15	Y-35	TBM-15 TBM-14M	EP510C

* REQUIRES 15 TON TOOL

Dieless NSi N12ID

	COPPER CLASS B/C EXPANDED WIRE RANGE WHEN INSTALLED WITH NSI N12ID	MIN. # OF CRIMPS REQUIRED
	8 AWG	1
	6-8 AWG	1
	4-6 AWG	1
	2-6 AWG	1
	1-6 AWG	1
	1/0-6 AWG	2
	2/0-4 AWG	2
	3/0-2 AWG	2
	4/0-1 AWG	2
	250 MCM-1/0 AWG	2
	300 MCM-2/0 AWG	2
	350 MCM-3/0 AWG	2
	400 MCM-4/0 AWG	2
	500 MCM-250 MCM	2
	600 MCM-250 MCM	2
	750 MCM-500 MCM	2
	-	2
	N12ID M-250 M-500 RDC-1/0	N12ID M-250 M-500 RDC-1/0

COMPRESSION CONNECTORS
Tool and Die Charts
For Connector Series: PT, PTO, PTS
ALUMINUM CONNECTORS

ALUMINUM COMPRESSION CONNECTOR TOOL AND DIE CHART

CONNECTOR SERIES: PT, PTO, PTS

ALUMINUM CONDUCTOR ONLY PT SERIES	ALUMINUM CONDUCTOR ONLY PT SERIES	ALUMINUM OR COPPER CONDUCTOR PTS & PTO SERIES	ALUMINUM OR COPPER CLASS B/C CONDUCTOR SIZE PTS & PTO SERIES	PIN SIZE	MIN. # OF CRIMPS REQUIRED	COPPER COLOR CODE	NSI DIE	NSI/GREENLEE DIE
-	-	PTS6	6 AWG	4 AWG	1	TAN	CD9	KA12-1/0
PT6	6 AWG	-	-	8 AWG	1	-	BG 52	-
-	-	PTS4	4 AWG	4 AWG	1	TAN	CD9	KA12-1/0
PT4	4 AWG	-	-	6 AWG	1	-	BG 52	-
-	-	PTS2	2 AWG	4 AWG	1	TAN	CD9	KA12-1/0
PT2	2 AWG	-	-	4 AWG	1	-	BG 52	-
-	-	PTS1	1 AWG	3 AWG	1	TAN	CD9	KA12-1/0
PT1	1 AWG	-	-	3 AWG	1	-	BG 52	-
-	-	PTS1/0	1/0 AWG	2 AWG	2	TAN	CD9	KA12-1/0
PT1/0	1/0 AWG	-	-	2 AWG	2	RED	CD16A	KC12-350
-	-	PTS2/0 PTO2/0	2/0 AWG	1 AWG	2	WHITE	CD15A	KA12-4/0
PT2/0	2/0 AWG	-	-	1 AWG	2	RED	CD16A	KC12-350
-	-	PTS3/0 PTO3/0	3/0 AWG	1/0 AWG	2	WHITE	CD15A	KA12-4/0
PT3/0	3/0 AWG	-	-	1/0 AWG	2	RED	CD16A	KC12-350
-	-	PTS4/0 PTO4/0	4/0 AWG	2/0 AWG	2	WHITE	CD15A	KA12-4/0
PT4/0	4/0 AWG	-	-	2/0 AWG	2	RED	CD16A	KC12-350
-	-	PTS250 PTO250	250 MCM	3/0 AWG	2	BROWN	CD18A	KA12-350
PT250	250 MCM	-	-	3/0 AWG	2	BROWN	CD18A	KA12-350
-	-	PTS300 PTO300	300 MCM	4/0 AWG	2	BROWN	CD18A	KA12-350
PT300	300 MCM	-	-	4/0 AWG	2	BROWN	CD18A	KA12-350
-	-	PTS350 PTO350	350 MCM	250 MCM	2	BROWN	CD18A	KA12-350
PT350	350 MCM	-	-	4/0 AWG	2	BROWN	CD18A	KA12-350
-	-	PTS400 PTO400	400 MCM	300 MCM	2	PINK	CD20	KA12-500
PT400	400 MCM	-	-	250 MCM	2	PINK	CD20	KA12-500
-	-	PTS500 PTO500	500 MCM	350 MCM	2	PINK	CD20	KA12-500
PT500	500 MCM	-	-	350 MCM	2	PINK	CD20	KA12-500
-	-	PTS600 PTO600	600 MCM	400 MCM	2	YELLOW	CD23	-
PT600	600 MCM	-	-	350 MCM	2	YELLOW	CD23	-
-	-	PTS750 PTO750	750 MCM	500 MCM	2	YELLOW	CD23	-
PT750	750 MCM	-	-	500 MCM	2	YELLOW	CD23	-
-	-	-	-	-	-	LISTED TOOLS	N1240 NSI-12 P-750	HK1240

* REQUIRES 15 TON TOOL

TOOL AND DIE CHARTS

ILSCO DIE	BURNDY DIE	T&B DIE	HUSKIE DIE
ILD-8	U25ART	15530	HT41EX
-	-	-	-
ILD-8	U25ART	15530	HT41EX
-	-	-	-
ILD-8	U25ART	15530	HT41EX
-	-	-	-
ILD-8	U25ART	15530	HT41EX
-	-	-	-
ILD-8	U25ART	15530	HT41EX
ILD-13, ILD-71	U31RT	15514-CK	HT41BJ
ILD-12	U28ART	15534	HT41EZ
ILD-13, ILD-71	U31RT	15514-CK	HT41BJ
ILD-12	U28ART	15534	HT41EZ
ILD-13, ILD-71	U31RT	15514-CK	HT41BJ
ILD-12	U28ART	15534	HT41EZ
ILD-13, ILD-71	U31RT	15514-CK	HT41BJ
ILD-14	U31ART	15506	HT41FA
ILD-14	U31ART	15506	HT41FA
ILD-14	U31ART	15506	HT41FA
ILD-14	U31ART	15506	HT41FA
ILD-14	U31ART	15506	HT41FA
ILD-14	U31ART	15506	HT41FA
ILD-16A	U34ART	15505	HT41FB
ILD-16A	U34ART	15505	HT41FB
ILD-16A	U34ART	15505	HT41FB
ILD-16A	U34ART	15505	HT41FB
ILD-18*, ILD-125	P44RT	15603*	HT61BU*
ILD-18*, ILD-125	P44RT	15603*	HT61BU*
ILD-18*, ILD-125	P44RT	15603*	HT61BU*
ILD-18*, ILD-125	P44RT	15603*	HT61BU*
ILC-12 ILC-12H ILC-15	Y-35	TBM-15 TBM-14M	EP510C

COMPRESSION CONNECTORS
Aluminum Connectors
Connector Series: WRD (H-Taps)
TOOL AND DIE CHARTS

ALUMINUM COMPRESSION CONNECTOR TOOL AND DIE CHART			
CONNECTOR SERIES: WRD (H-Taps)			
PART NUMBER	DIE	# OF INDENTS W/ MECHANICAL TOOL	# OF INDENTS W/ HYDRAULIC TOOL
WRD9	5/8 BG	3	-
WRD 139	0	4	2
WRD 149	0	5	2
WRD 159	0	4	2
WRD 179	0	5	2
WRD 189	0	5	2
WRD 199	0	5	2
WRD 219	D	5	2
WRD 259	D	5	2
WRD 279	D	5	2
WRD 289	D	5	2
WRD 299	D	4	2
WRD 359	D	4	2
WRD 369	D	5	2
WRD 379	D	5	2
WRD 389	D	6	2
WRD 399	D	7	3
WRD 419	D	7	3





TOOLS & HARDWARE

TOOLS

Hydraulic Compression Tools



DIELESS HYDRAULIC CRIMPING TOOL



- Dieless indent style crimping head does not require interchangeable crimping dies.
- Flip-open Crimping head rotates 350 degrees to get into tight locations.
- Two-speed pump provides rapid crimping cycle time.
- Lightweight and strong fiberglass handles.
- Comes with a molded carrying case.
- Copper: 4AWG-1000kcmil (MCM).
- Aluminum: 6AWG-1000kcmil (MCM).
- UL and cUL Listed*

CAT. NO.	DESCRIPTION	LENGTH (IN)	WEIGHT (LBS)	STD. CTN. QTY.
N121D	Dieless Hydraulic Crimping Tool	26	15	1

12 TON HYDRAULIC CRIMPING TOOL



- N1240 with 1.65 in (42mm) opening.
- Accepts KC12, KA12 and KD12 crimping dies as well as industry "U" style dies.
- New head design results in lower weight and improved durability – tested to 50,000 crimp cycles.
- Two-speed pump to reduce cycle time.
- Ram automatically retracts when crimp cycle is complete.
- Crimping heads rotate 350 degrees.
- Smaller and lighter than most tools. Includes carrying case.
- N1240 - 8 AWG to 750 kcmil copper and aluminum color-coded lugs and splices.
- UL and cUL Listed*

CAT. NO.	DESCRIPTION	CRIMPING FORCE (IN)	LENGTH (IN)	WEIGHT (LBS)	STD. CTN. QTY.
N1240	12 Ton hydraulic Crimping Tool, 1.65 in. opening.	24,000	21-1/2	12.2	1

CROSS REFERENCE GUIDE

NSI	GREENLEE	BURNDY	THOMAS & BETTS	ILSCO	HUSKIE	PANDUIT	BLACKBURN	PENN-UNION
N1240	KC12, KD12, U-Style	U	15500 Series	ILD	HT41	CD-920	B, H	T

*UL and cUL classified with Anderson®, Blackburn®, Burndy®, ILSCO®, Panduit®, Thomas & Betts®, Penn-Union®, Tyco® color coded connectors. The products listed above are registered trademarks of Anderson®, Blackburn®, Burndy®, ILSCO®, Panduit®, Thomas & Betts®, Penn-Union® and Tyco®.



TOOLS

Crimping Dies

KA & KC SERIES



CAT. NO.	DESCRIPTION	ALUMINUM COLOR CODE	CAT. NO.	DESCRIPTION	COPPER COLOR CODE	STD. CTN. QTY.
KA12-8*	8 AWG, Aluminum	BLUE	KC12-8*	8 AWG, Copper	RED	1
KA12-6*	6 AWG, Aluminum	GREY	KC12-6*	6 AWG, Copper	BLUE	1
KA12-4*	4 AWG, Aluminum	GREEN	KC12-4*	4 AWG, Copper	GREY	1
KA12-2*	2 AWG, Aluminum	PINK	KC12-2*	2 AWG, Copper	BROWN	1
KA12-1*	1 AWG, Aluminum	GOLD	KC12-1*	1 AWG, Copper	GREEN	1
KA12-1/0*	1/0 AWG, Aluminum	TAN	KC12-1/0*	1/0 AWG, Copper	PINK	1
KA12-2/0*	2/0 AWG, Aluminum	OLIVE	KC12-2/0*	2/0 AWG, Copper	BLACK	1
KA12-3/0*	3/0 AWG, Aluminum	RUBY	KC12-3/0*	3/0 AWG, Copper	ORANGE	1
KA12-4/0*	4/0 AWG, Aluminum	WHITE	KC12-4/0*	4/0 AWG, Copper	PURPLE	1
KA12-250*	250 MCM, Aluminum	RED	KC12-250*	250 MCM, Copper	YELLOW	1
KA12-300*	300 MCM, Aluminum	BLUE	KC12-300*	300 MCM, Copper	WHITE	1
KA12-350*	350 MCM, Aluminum	BROWN	KC12-350*	350 MCM, Copper	RED	1
KA12-400*	400 MCM, Aluminum	GREEN	KC12-400*	400 MCM, Copper	BLUE	1
KA12-500*	500 MCM, Aluminum	PINK	KC12-500*	500 MCM, Copper	BROWN	1
KA12-600*	600 MCM, Aluminum	BLACK	KC12-600*	600 MCM, Copper	GREEN	1
KA12-750*	750 MCM, Aluminum	YELLOW	KC12-750*	750 MCM, Copper	BLACK	1

CRIMPING DIE CARRYING CASE



CAT. NO.	DESCRIPTION	STD. CTN. QTY.
01082	Crimping Die Carrying Case, 15 Pairs	1

*UL and cUL classified with Anderson®, Blackburn®, Burndy®, ILSCO®, Panduit®, Thomas & Betts®, Penn-Union®, Tyco® color coded connectors. The products listed above are registered trademarks of Anderson®, Blackburn®, Burndy®, ILSCO®, Panduit®, Thomas & Betts®, Penn-Union® and Tyco®.

TOOLS

Hydraulic Die & Battery-Operated Die Type Crimping



HYDRAULIC DIES

- **12-Ton Compression Tool for U-Type Dies.**
- Delivers 12 tons of hydraulic force.
- 1/2" jaw opening for large conductors and taps.
- Automatic two-speed pump action for rapid ram advancement.
- Fast ram release with twist of handle.
- 180° head rotation.
- Accepts all standard U-type dies.

CAT. NO.	WIRE RANGE AL-CU		LENGTH (IN)
	MAX.	MIN.	
NSI-12	750 MCM	8 STR	23

POWER 750

- 14.6 tons, 1.65" jaw opening for U-type dies.
- Powerful 14.4 Volt battery crimper.
- High power Ni-Cad battery.
- 180° head rotation.
- Reinforced molded nylon body.
- Pressure release button.
- Switch-protected against accidental operation.
- Battery condition display.
- Balanced tool and sculptured body for greater control.
- Ergonomically designed center grip handle.
- 10,000 PSI rated operating pressure.
- Includes steel carrying case, shoulder strap, spare battery and battery charger.
- Accepts all standard U-type dies.



CAT. NO.	WIRE RANGE AL-CU		LENGTH (IN)
	MAX.	MIN.	
P-750	750 MCM	8 STR	16.5

TOOLS U-Type Compression Dies



CAT. NO.	DIE INDEX NO.	NSI TOOL DIE INDEX	T&B TOOL DIE INDEX	ILSCO TOOL DIE INDEX	HUSKIE TOOL DIE INDEX	BURNDY TOOL DIE INDEX	ALUMINUM COLOR CODE	COPPER LUGS AND SPLICES	WIRE SIZE ALUM. LUGS AND SPLICES	BI-METALLIC PIN TERMINALS
CD2	7/374	AT	24	ILD-2	AT	7	BLUE	6	8	–
CD3	8/346	AU	29	ILD-3	AU	8	GREY	4	6	–
CD4	10	AW	33	ILD-4	AW	10	BROWN	2	–	–
CD5A	375	GM	3	ILD-4	GM	375	GREEN	1	4	–
CD6A	348	GF	42H	ILD-5	GF	348	PINK	1/0	2	–
CD7	13	AZ	45	ILD-6	AZ	13	BLACK	2/0	–	–
CD9	296	EX	50	ILD-8	EX	296	TAN	–	1/0	–
CD10	14	BA	50	ILD-9	BA	14	ORANGE	3/0	–	6, 4, 2, 1
CD11	297	EY	54H	–	EY	297	OLIVE	–	2/0	–
CD12	15	BC	54H	ILD-10	BC	15	PURPLE	4/0	–	–
CD13	467	GW	60	–	GW	467	RUBY	–	3/0	–
CD14	16	BE	62	ILD-11	BE	16	YELLOW	250 MCM	–	–
CD15	17	BF	66	ILD-12	BF	17	WHITE	300 MCM	–	–
CD15A	298	EZ	66	ILD-12	EZ	298	WHITE	300 MCM	4/0	–
CD16	18	BJ	71H	ILD-13	BJ	18	RED	350 MCM	–	–
CD16A	324	FW	71H	ILD-13	FW	324	RED	350 MCM	250 MCM	1/0, 2/0, 3/0, 4/0
CD17	19	BK	76	ILD-14	BK	19	BLUE	400 MCM	–	–
CD17A	470	BK	76	ILD-14	BK	470	BLUE	400 MCM	300 MCM	–
CD18	20	BL	87H	ILD-15	BL	20	BROWN	500 MCM	–	–
CD18A	299	FA	87H	–	FA	299	BROWN	500 MCM	350 MCM	250, 300, 350, MCM
CD19	22	HH	94H	ILD-16	HH	472	GREEN	600 MCM	–	–
CD19A	472	BM	94H	ILD-16	BM	22	GREEN	600 MCM	400 MCM	–
CD20	300	FB	99H	ILD-16A	FB	300	PINK	–	500 MCM	400, 500 MCM
CD21	24	BP	106H	ILD-17	BP	24	BLACK	750 MCM	–	–
CD21A	743	BP	106H	ILD-17	BP	473	BLACK	750 MCM	600 MCM	–
CD23	936	LJ	115H	–	LJ	936	YELLOW	–	750 MCM	600, 750 MCM

Mechanical Crimpers & Tools, Ratchet Drive Crimpers



FEATURES

1. MECHANICAL SINGLE-INDENT LUG CRIMPERS

- Manually operated single-indent compressor tool
- Wire Range: CU-250 MCM to 8 AWG and AL-4/0 AWG to 8 AWG.
- Requires no dies.

2. MECHANICAL SINGLE-INDENT LUG CRIMPERS

- Extendable handle design provides increased leverage and allows you to crimp connectors up to 500 MCM.
- Requires no dies.

3. MECHANICAL TOOL

- With 5/8" nose die
- For copper and aluminum.

4. MECHANICAL TOOL

- With 5/8" nose die.
- For copper and aluminum.

5. RACHET-DRIVE CRIMPERS

- For non-insulated terminals from 6 to 1/0 AWG and insulated terminals from 22 to 8 AWG.
- Rugged, compact and lightweight.
- Requires minimum effort due to ratchet action, ensuring an excellent crimp every time.



CAT. NO.	FIG. NO.	DESCRIPTION
M-250	1	Mechanical Crimper Up To 250 MCM
M-500	2	Mechanical Crimper Up To 500 MCM
OD58	3	Mechanical Crimper For WR Series/H-tap Connectors
OD581	3	Mechanical Crimper For WR Series/H-tap Connectors With Fibreglass Handles & 5/8" Nose Die. Output: 4.5 Tons.
OD59	4	Mechanical Crimper For Wr Series/H-Tap Connectors Fiberglass Handles And 'O' And 'D' Nose Dies. Output: 4.5 Tons.
RDC 1/0	5	Ratchet Drive Crimper – 6-1/0 AWG Uninsulated, 22-8 AWG Insulated

INSERT DIES FOR OD581 AND OD59

CAT. NO.	DESCRIPTION
OJB	'O' die for OD581
DBL	'D' die for OD581
BY37C	840 red for OD581
U-BG	U-BG die for OD59

TOOLS

Manual & Ratchet-Drive Cable Cutters

FOR COPPERS AND ALUMINUM CABLES



MANUAL CABLE CUTTERS

- Rugged, lightweight manual cable cutters available in three sizes to handle all sizes of cable.
- Replacement blades are available for CCM-500 and CCM-1000.



CAT. NO.	FIG. NO.	CABLE CAPACITY	FOR USE WITH	MAX. INSUL. DIA.	LENGTH (IN)
CCM-350	1	350 MCM	Copper & Aluminum	1.25	16
CCM-500	2	500 MCM	Copper & Aluminum	1.25	21
CCM-1000	3	1000 MCM	Copper & Aluminum	1.90	32
CCM-500RB			Replacement Blades For CCM-500		
CCM-1000RB			Replacement Blades For CCM-1000		

RATCHET-DRIVE CABLE CUTTERS

- Fine quality tools crafted for cutting ease, minimum cable distortion and long life.
- Rugged, compact and lightweight.
- High quality steel blades offer excellent cutting-edge performance.
- Handles are made from fiberglass.
- Replacement blades and handles are available.



CAT. NO.	FIG. NO.	CABLE CAPACITY	FOR USE WITH	MAX. INSUL. DIA.	LENGTH (IN)
CCR-350	4	350 MCM	Copper & Aluminum	1.20	10
CCR-750	5	500 MCM	Copper & Aluminum	1.40	20
CCR-1000	6	1000 MCM	Copper & Aluminum	2.38	20
CCR-750 RB	7		Replacement Blades For CCR-750		

TOOLS

Steel Fishtapes & Conduit Benders

FTS, CB & CBH SERIES



STEEL FISHTAPES

- Extremely flexible and durable flat spring steel.
- Stiffer construction is excellent for long runs.
- Looped end for attaching wires.
- Heavy-duty housing withstands rough conditions.
- High visibility yellow makes fish tape easy to locate.
- Viewing holes to show remaining tape.
- Handle slides through base to reel tape easily.
- 500lbs. maximum tape strength.

CAT. NO.	DESCRIPTION	LENGTH (FT)	END TYPE
FTS25	Flat Spring Steel Fishtape	25	Torpedo-Style
FTS50	1/8" Steel Fishtape c/w handle	50	Formed hook
FTS100	Steel Fishtape, Reel and Winder	100	Formed hook
FTS120	1/8" Steel Fishtape c/w handle	120	Formed hook
FTS200	1/8" Steel Fishtape c/w handle	200	Formed hook

CONDUIT BENDERS

- All NSI conduit benders have cast in-angle indicators with raised bending points of reference to aid the installer.
- The bodies are aluminum die cast which are lightweight yet strong enough for everyday use.
- Handles are tough steel construction and have a black powder coat finish that is textured for better gripping; flared handle corrects overbends.
- Aluminum die cast bender.
- Handles are made of steel.



All dimensional data is listed in inches.

CAT. NO.	FIG. NO.	DESCRIPTION	TYPE	HANDLE SIZE	HANDLE LENGTH	STD. CTN. QTY.
CB100	1	For 1" EMT or 3/4" Rigid, 8 Degree Inside Radius	Aluminum Die Cast	—	—	12
CB75	2	For 3/4" EMT or 1/2" Rigid, 6 Degree Inside Radius	Aluminum Die Cast	—	—	12
CB50	3	For 1/2" EMT, 5 Degree Inside Radius	Aluminum Die Cast	—	—	12
CB50WH	4	For 1/2" EMT, 5 Degree Inside Radius	Aluminum Die Cast With Handles	3/4 x 38	—	12
CB75WH	4	For 3/4" EMT or 1/2" Rigid, 6 Degree Inside Radius	Aluminum Die Cast With Handles	3/4 x 38	—	12
CB100WH	4	For 1" EMT or 3/4" Rigid, 8 Degree Inside Radius	Aluminum Die Cast With Handles	1" x 44	—	12
CBH75	5	3/4" Diameter, for use with CB50 and CB75	Handles only	3/4	38	12
CBH100	5	1" Diameter, for use with CB100	Handles only	1	44	12

TOOLS

Precision Wire Strippers & Insulated Miniterm Tool

TL, NH SERIES



FEATURES

- Finest heat-treated spring steel construction with precision-ground cutting edges.
- Double-Insulated cushioned handles.
- Strip solid or stranded copper or aluminum wires.

CAT. NO.	FIG. NO.	DESCRIPTION	STD. CTN. QTY.
ADJUSTABLE 10-24 AWG 5" WIRE STRIPPER			
TL-ADJ5	1	Adjustment wheel sets wire stripper for 8 wire gauge sizes from 10 to 24 AWG. Wire cutter (CU/AL). Wire looper. Heat treated spring steel. Cushioned double insulated handle.	1
10-20 AWG 6" WIRE STRIPPER			
TL-WS6	2	Six precision-cut wire stripping holes: 10, 12, 14, 16, 18, 20 AWG. Pliers nose. Wire cutter (CU/AL). Wire looper. Spring and lock. Heat treated spring steel. Cushioned double insulated handle.	1
10-20 AWG 8 1/2" 6-FUNCTION ELECTRICIAN'S TOOL			
TL-6-1	3	Six precision-cut wire stripping holes: 10, 12, 14, 16, 18, 20 AWG. Pliers nose. Wire cutter (CU/AL). Wire looper. Insulated and non-insulated crimping stations. Bolt cutter and re-threader. Spring and lock. Heat-treated spring steel. Cushioned double insulated handle.	1
10-22 AWG 9 1/2" 5-FUNCTION ELECTRICIAN'S TOOL			
TL-5-1	4	Seven wire stripping holes: 10, 12, 14, 16, 18, 20, 22 AWG. Wire cutter nose (CU/AL). Insulated and non-insulated crimping stations. Bolt cutter and re-threader. Heat-treated hardened steel. Cushioned double insulated handle.	1
CABLE JACKET RIPPER 4"			
TL-RCR	5	Slits NM jackets on Romex™ cables to allow stripping of internal wires. Wire gauge holes.	1
INSULATED MINITERM TOOL			
NH-1	6	A ratchet-action crimping tool for quality crimping of insulated terminals and connectors, including rings, spades, male plugs, female receptacles and disconnects in 22/18, 16/14 and 12/10 AWG wire sizes.	1
UNINSULATED MINITERM TOOL			
NH-3	7	Crimp tool for insulated miniterms 22-10 AWG wire sizes.	1
NH-4	8	Crimp tool for un-insulated miniterms 22-8 AWG wire sizes.	1

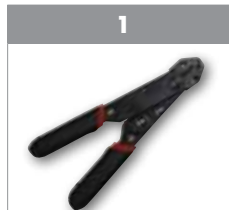


Image Not Available

Image Not Available

TOOLS
Electrician's Hand Tools
TL SERIES



FEATURES

- The essential hand tools for electrical work.
- Heat-treated forged steel construction with precision ground edges for cutting copper and aluminum.
- Double-insulated cushioned handles.

CAT. NO.	FIG. NO.	DESCRIPTION	STD. CTN. QTY.
DIAGONAL CUTTING PLIERS 6 1/2"			
TL-DC	1	Designed and shaped for wire cutting in tight places. Wire cutter nose (CU/AL). Heat-treated drop-forged steel. Cushioned insulated handles.	1
CABLE CUTTER 8"			
TL-CCIH	2	Designed for high-leverage cutting of cable to 2/0 (CU/AL). Heat-treated drop-forged steel. Cushioned insulated handles.	1
LONG REACH CUTTER/CRIMPER 8"			
TL-CRP	3	Long reach design for wire cutting and crimping in tight places. Wire cutter nose (CU/AL). Heat-treated drop-forged steel. Cushioned insulated handles.	1
LONG NOSE PLIERS/STRIPPER/CRIMPER 6 1/2"			
TL-LNP	4	For long reach twisting and positioning wires in tight places. Wire cutter (CU/AL). Non-insulated crimping stations. Heat-treated drop-forged steel. Cushioned insulated handles.	1
LINEMAN'S PLIERS 7 1/2"			
TL-LP	5	Designed for high leverage pulling and twisting wires and cables. Threaded wire-gripping nose. Wire cutter (CU/AL). Heat-treated drop-forged steel. Cushioned insulated handles.	1
ELECTRICIAN'S 1000V SCREWDRIVERS			
TL-ISS	6	Fully insulated (1000 Volt) screwdriver set. Comfort grip handles and fully insulated shafts for full shock protection (1) #2 Phillips head (1) 3/16" slotted tip. Hang holes. Heat treated drop forged steel.	1



TOOLS
Electrical Multitesters -
Analog & Digital
TES SERIES



FEATURES



- Precision hand-held analog and digital meter for measuring voltage, amperage, continuity, resistance, battery and decibel strength.

CAT. NO.	FIG. NO.	DESCRIPTION	STD. CTN. QTY.
ANALOG MULTITESTER 5-FUNCTION 12 RANGE			
TES-MT12	1	Measures AC/DC voltage to 300 Volts. DC amperage to 250 mA. Decibels from -20 to 56dB. 1.5 and 9V Batteries Continuity. Fuse protection. Insulated test leads. Requires (2) AAA batteries.	1
ANALOG MULTITESTER 7-FUNCTION 19 RANGE			
TES-MT19	2	Tests AC/DC voltage to check 10 Meg. Decibels from -8 to +62dB 1.5 and 9V batteries. Continuity with audible buzzer Fuse protection. Insulated test leads. Requires (2) AA batteries.	1
ANALOG BATTERY TESTER			
TES-MTBTL	3	Tests AA; AAA; C; D; C; button cells; Ni-Cad; 3V lithium; 22.5V photo and lantern cells; 6V lantern; 12V, 15V photo cells. Insulated test leads. Exclusive button cell test compartment.	1
DIGITAL MULTITESTER 6-FUNCTION 20 RANGE			
TES-DT18	4	DC current to 200 mA. 1.5 and 9V batteries. Continuity (audible buzzer) Fuse protection. Insulated test leads. Requires 9V battery.	1



TESTERS

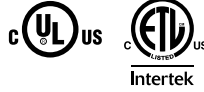
Circuit/Receptacle Testers

TES SERIES



FEATURES

- Hand-held probe testers for measuring household voltage presence and level, low voltage presence, continuity and polarity.
- AC/DC home, commercial, automotive and marine voltages.



CAT. NO.	FIG. NO.	DESCRIPTION	STD. CTN. QTY.
80-250 VAC TWIN PROBE VOLTAGE TESTER			
TES-111	1	Neon light indicates presence of AC voltage from 80-250 VAC. Double insulated housing and test leads. Pocket clip.	1
120 OR 240 VAC VOLTAGE TESTER			
TES-2	2	Dual neon light indicates presence of AC voltage of either 120 or 240 VAC. Double insulated housing and test leads. Pocket clip.	1
5-50 VAC/DC VOLTAGE TESTER			
TES-LVT	3	Neon light indicates presence of low voltage from 5 to 50 VAC or DC. Double insulated housing and fully insulated test leads with alligator clips. Pocket clip.	1
CONTINUITY/VOLTAGE SCREWDRIVER TESTER			
TES-CT	4	Neon light indicates presence of AC voltage from 12-300 VAC. Neon light also indicates circuit continuity. Double insulated housing. Handy screwdriver / voltage probe. Pocket clip. (2) LR-44 batteries included	1
120-480 VAC/DC HEAVY-DUTY VOLTAGE TESTER			
TES-SOL	5	Solenoid spring activated gauge measures voltage levels from 120 to 480 VAC. Double insulated housing and heavy gauge 48" test leads with housing storage. Lighted polarity indication.	1



TESTERS

Circuit/Receptacle Testers

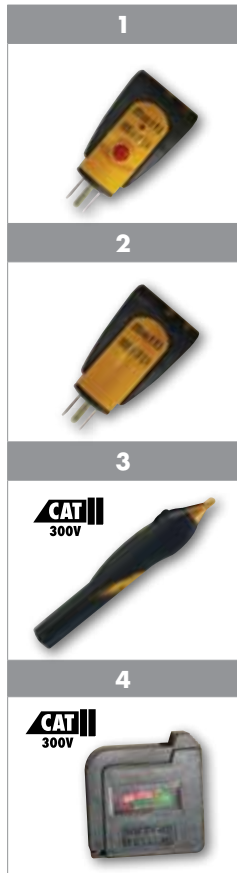
TES SERIES CONT'D



FEATURES

- Hand-held probe testers for measuring household voltage presence without contacting conductors, analyzing circuit wiring and GFCI integrity and quick battery testing.

CAT. NO.	FIG. NO.	DESCRIPTION	STD. CTN. QTY.
GFCI ELECTRICAL JUNCTION BOX WIRING ANALYZER			
TES-131	1	Plug in tester shows presence of correct wiring of electrical junction boxes. Also shows presence of up to 6 junction box wiring errors. Includes push-button GFCI integrity test. Neon bulb indication.	1
ELECTRICAL JUNCTION BOX WIRING ANALYZER			
TES-122	2	Plug in tester shows presence of correct wiring of electrical junction boxes. Also shows presence of up to 6 junction box wiring errors. Neon bulb indication.	1
90-200 VAC NON-CONTACT VOLTAGE TESTER			
TES-NC	3	Detects household voltages from 90 to 200 VAC without touching conductors. (2) AAA batteries are included. AAA battery test feature included. Double insulated. Pocket clip.	1
POCKET BATTERY TESTER			
TES-BT	4	Checks strength of AA, AAA, C, D, N, 9V and 1.5V Button Cell Batteries. Flip up contact arm fits battery poles.	1



TOOLS

Torque Wrenches, Screwdriver & Accessories

TW SERIES



FEATURES

TORQUE WRENCHES

- Dual scale, calibrated dual direction.
- Positive lock with spring loaded pull down lock ring.
- Fast, accurate and easy to set.
- Easy-to-read laser marked scales.
- Most feature quick release buttons which provide good socket retention as well as easy socket removal.
- Accuracy: 3% CW, 4% CCW of indicated value, CW from 20% to 100% of full scale.
- Individually serialized with matching certificate of calibration traceable to N.I.S.T.

TORQUE SCREWDRIVERS

- Positive locking pull down adjustment knob.
- Trilobular comfort grip.
- Universal 1/4" hex bit holder with strong rare earth magnet.
- Cam-over torque limiting clutch and slip resistant finish.
- Easy-to-read window scale and light weight.
- Automatic lock in CCW direction for disassembly.
- Accuracy: 6% of indicated value, CW from 20% to 100% of full scale. Individually serialized with matching certificate of calibration traceable to N.I.S.T.
- Meets or exceeds ASME B107.14-2004

CAT. NO.	FIG. NO.	DESCRIPTION	STD. CTN. QTY.
TW20-150	1	Torque Wrench. Click Type. 20-150 In Lbs. 3/8" Drive Dual Scale.	1
TW100-750	2	Torque Wrench. Click Type. 100-750 In Lbs. 3/8" Drive Dual Scale.	1
TW5-40	3	Torque Screwdriver. Micro Adjustable. 5-40 In Lbs. 1/4" Drive Single Scale.	1
TWHB 3818	4	Hex Bit 3/8" Socket. 1/8" Hex.	1
TWHB 38316	5	Hex Bit 3/8" Socket. 3/16" Hex.	1
TWHB 3814	6	Hex Bit 3/8" Socket. 1/4" Hex.	1
TWHB 38516	7	Hex Bit 3/8" Socket. 5/16" Hex.	1
TWHB 3838	8	Hex Bit 3/8" Socket. 3/8" Hex.	1
TWHB 1212	9	Hex Bit 1/2" Socket. 1/2" Hex.	1
TWDA 3812	10	Drive Adaptor. 3/8" Female To 1/2" Male (Needed For Sa16a, Sa18a And Sa20a)	1
TWBS 14	11	13 Piece 1/4" Drive Insert Bit Set.	1
TWSB	12	Holder For 1/4" Hex Screwdriver Bit. 3/8" Drive.	1



HARDWARE
Silicon Bronze Bolts,
Hex Nuts, Flat Washers
& Split Lockwashers
HB, HN, SLW, FW SERIES



FEATURES

- Corrosion resistance and physical strength combine to provide reliability.



CAT. NO.	FIG. NO.	BOLT SIZE	HEX/WRENCH SIZE	SCREW SHAPE	LENGTH (IN)	STD. CTN. QTY.
HB403	1	1/4"	1/4"		3/4"	25
HB404	1	1/4"	1/4"		1"	25
HB405	1	1/4"	1/4"		1 1/4"	25
HB406	1	1/4"	1/4"		1 1/2"	25
HB505	1	5/16"	5/16"		1 1/4"	25
HB507	1	5/16"	5/16"		2"	25
HB604	1	3/8"	3/8"		1"	25
HB605	1	3/8"	3/8"		1 1/4"	25
HB606	1	3/8"	3/8"		1 1/2"	25
HB607	1	3/8"	3/8"		2"	25
HB804	1	1/2"	1/2"		1"	25
HB805	1	1/2"	1/2"		1 1/4"	25
HB806	1	1/2"	1/2"		1 1/2"	25
HB807	1	1/2"	1/2"		2"	25
HB808	1	1/2"	1/2"		2 1/4"	25
HB809	1	1/2"	1/2"		2 1/2"	25
HB811	1	1/2"	1/2"		3"	25
HB812	1	1/2"	1/2"		3 1/2"	25
HN-4	2	1/4"	1/4"		-	25
HN-5	2	5/16"	5/16"		-	25
HN-6	2	3/8"	3/8"		-	25
HN-8	2	1/2"	1/2"		-	25
SLW-4	3	1/4"	-		-	25
SLW-5	3	5/16"	-		-	25
SLW-6	3	3/8"	-		-	25
SLW-8	3	1/2"	-		-	25
FW-4	4	1/4"	-		-	25
FW-5	4	5/16"	-		-	25
FW-6	4	3/8"	-		-	25
FW-8	4	1/2"	-		-	25

HARDWARE

Stainless Steel Bolts, Hex Nuts, Flat Washers & Split Lockwashers

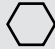
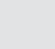

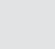

SS, SSHN, SSBW, SSSLW, SSFW, SSBW SERIES



FEATURES

- Corrosion resistance and physical strength combine to provide reliability.



CAT. NO.	FIG. NO.	BOLT SIZE	HEX/WRENCH SIZE	SCREW SHAPE	LENGTH (IN)	STD. CTN. QTY.
SS66	1	3/8"	3/8"		2 1/4"	25
SS34	1	1/2"	1/2"		1 3/4"	25
SS37	1	1/2"	1/2"		2 1/2"	25
SSHN-6	2	3/8"	3/8"		–	25
SSHN-8	2	1/2"	1/2"		–	25
SSBW-6	3	3/8"	–	–	–	25
SSSLW-8	3	1/2"	–	–	–	25
SSFW-6	4	3/8"	–	–	–	25
SSFW-8	4	1/2"	–	–	–	25
SSBW-8	5	1/2"	–	–	–	25

INHIBITORS

Oxide Inhibitor & Duct Sealing Compound

OX, DS SERIES



OXIDE INHIBITOR

- Universal oxide inhibitor for aluminum and/or copper terminations.
- Remains stable over a wide temperature range.
- Supplied in clear, easy-squeeze bottles or tubes.



CAT. NO.	FIG. NO.	DESCRIPTION	SIZE (OZ)	STD. CTN. QTY.
OX-8	1	Oxide Inhibitor. Squeeze Bottle.	8 oz.	12
OX-4	2	Oxide Inhibitor. Squeeze Bottle.	4 oz.	12
OX-1	3	Oxide Inhibitor. Squeeze Tube.	3/4 oz.	100

DUCT SEALING COMPOUND

- Intended for sealing around electrical service entries, junction boxes and other devices where weather-proofing is critical.
- Will stay soft and pliable for several years and has an excellent shelf life.
- Will not damage wire covers, glass, wood, painted surfaces, plastics or other materials it may contact.
- It is chemically inert, inhibiting no chemical activity and is nontoxic.
- Contains no asbestos or mineral fibers and no mineral oil which can shorten the effective life of the product.
- Remains pliable through a wide range of temperatures and will adhere to most clean dry surfaces.



CAT. NO.	FIG. NO.	DESCRIPTION	STD. CTN. QTY.
DS184	1	Duct Seal – 1 Lb. Pkg.	50
DS185	2	Duct Seal – 5 Lbs. Pkg.	10





POLARIS™

POLARIS GREY™ INSULATED CONNECTORS
For Fine Stranded Wire
& Replacement Sleeves
ITG, ITOG, IPLG, SITG SERIES



FEATURES

- Safe: Insulated with high dielectric strength plastisol for tough mechanical protection.
- Factory applied insulation provides consistent quality and protection.
- Abrasion and chemical resistant.
- Fast: Eliminates the need for cover and taping – supplied with removable access plugs over the hex screws to protect against contamination.
- Easy: Three sizes cover 14 to 3/0 AWG.
- Reusable: ideal for cabletrays, troughs, wire-ways, raceways, ducts and motor junction boxes.
- For Copper Wire Only

RATINGS



UL Listed 486A Wire Connector.

TEMPERATURE RATING/VOLTAGE:

CU9. Cold temperature rated to -45 °C, rated 600V, 90 °C.

WIRE TYPE:

Can be used with virtually any kind of copper conductor, but is specifically designed for use with fine-stranded, flexible and extra-flexible copper conductors. This includes DLO cable and motor lead wire – excellent for use in motor connect/disconnect applications.

ASSEMBLY INSTRUCTIONS:

See page 213 for detailed information for assembly, mounting and installation.

All dimensional data is listed in inches.

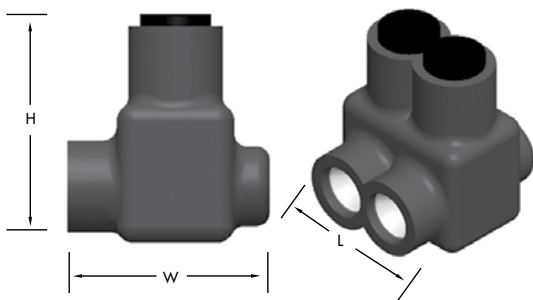
CAT. NO.	NO. OF PORTS
ITG-6	2
ITOG-6	2
IPLG6-3	3
IPLG6-4	4
IPLG6-6	6
ITG-1	2
ITOG-1	2
IPLG1-3	3
IPLG1-4	4
IPLG1-6	6
ITG-3/0	2
ITOG-3/0	2
IPLG3/0-3	3
IPLG3/0-4	4
IPLG3/0-6	6

For display bags with a mounting hole for hanging, add the suffix “-B” to the part number when ordering.

POLARIS GREY™ REPLACEMENT SLEEVES	
CAT. NO.	STD. CTN. QTY.
SITG-6	10
SITG-1	10
SITG-3/0	10



WIRE RANGE (BY CLASSIFICATION)		LENGTH (L)	WIDTH (W)	HEIGHT (H)	TORQUE VALUE (IN./LBS.)	HEX SIZE	STD. CTN. QTY.
CLASS B, C, D	CLASS K, M, I						
6-14 AWG	6-14 AWG	1.130	1.240	1.370	45	1/8	12
6-14 AWG	6-14 AWG	1.130	1.270	1.370	45	1/8	12
6-14 AWG	6-14 AWG	1.550	1.240	1.370	45	1/8	12
6-14 AWG	6-14 AWG	1.980	1.240	1.370	45	1/8	6
6-14 AWG	6-14 AWG	2.820	1.240	1.370	45	1/8	6
1-10 AWG	2-10 AWG	1.600	1.550	1.750	150	3/16	6
1-10 AWG	2-10 AWG	1.600	1.630	1.750	150	3/16	6
1-10 AWG	2-10 AWG	1.550	1.240	1.370	150	3/16	6
1-10 AWG	2-10 AWG	1.980	1.240	1.370	150	3/16	6
1-10 AWG	2-10 AWG	2.820	1.240	1.370	150	3/16	6
3/0-4 AWG	2/0-2 AWG	1.850	1.600	1.810	250	3/16	6
3/0-4 AWG	2/0-2 AWG	1.850	1.630	1.810	250	3/16	6
3/0-4 AWG	2/0-2 AWG	2.250	1.600	1.750	250	3/16	6
3/0-4 AWG	2/0-2 AWG	2.900	1.600	1.750	250	3/16	6
3/0-4 AWG	2/0-2 AWG	4.200	1.600	1.750	250	3/16	4



Protect those fine-stranded wires with Polaris Grey™.

Here's our secret: Polaris Grey™ comes with an integral sleeve which protects the fine strands and helps the conductor maintain its shape during the tightening process. The sleeve eliminates breakage of the strands and reduces stress on the conductor and therefore the potential for hot-spots. Replacement sleeves can be purchased separately.

Specially designed for connecting and terminating fine-stranded, flexible copper conductors. Polaris Grey™ combines the reliability and safety of a compression connection with the ease, affordability and flexibility of a mechanical connection.

Motor replacement is now really easy. Simply strip the cable, insert it into Polaris Grey™, tighten the hex head screw, replace the cap.

POLARIS BLUE™ INSULATED CONNECTORS For Direct Burial & Submersible ISW SERIES



FEATURES

- For connecting two wires in-line.
- For direct burial and submersible applications (UL486D).
- Insulated with specially formulated high strength dielectric plastisol and molded for precise fit for a direct burial connection.
- Requires no taping, compounds, heat shrink or cutting-to-size in the field.
- Supplied with removable access plugs over the hex screws.
- Abrasion and chemical resistant. UV rated. Will not support combustion.
- Dual rated: Suitable for use with aluminum and/or copper conductors.
- Reusable.

RATINGS



UL Listed 486D Wire Connector.

TEMPERATURE RATING/VOLTAGE:

AL9CU. Cold temperature rated to -45 °C, rated 600V, 90 °C.

WIRE TYPE:

Suitable for use with aluminum and/or copper conductors. Approved for use with all conductors with insulation suitable for wet and/or damp locations. Not recommended for use with extra flexible cable (see Polaris Grey™ Series page 173).

INSTALLATION INSTRUCTIONS:

See page 213 for detailed installation information.



All dimensional data is listed in inches.

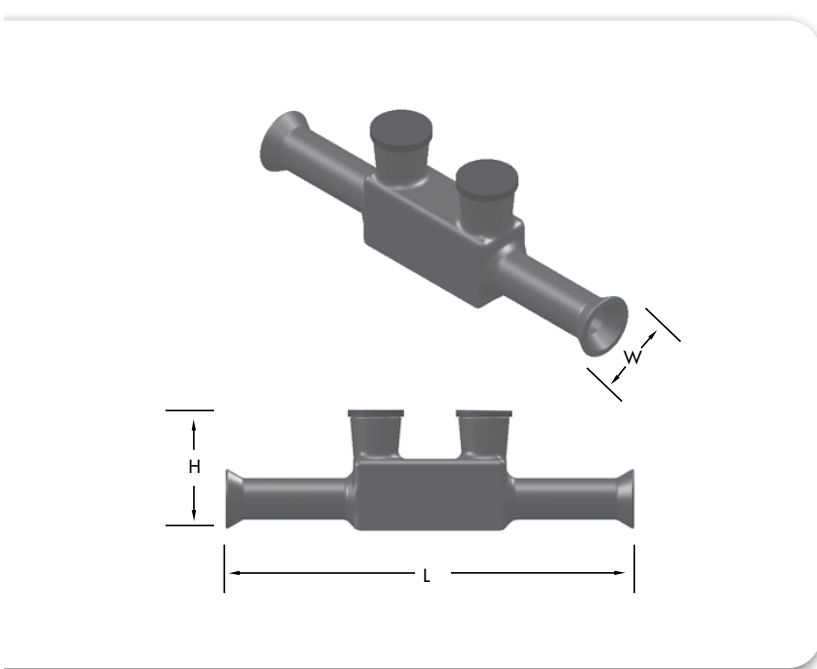
CAT. NO.	WIRE RANGE URD/USE THHN/XHHW*
ISW-3/0	3/0-1/0 AWG
ISW-250	250-4/0 AWG

* Not suitable for direct burial with THHN/XHHW wire. For use in enclosures only.

A properly installed connector will have no more than one conductor per port.



INSULATION		LENGTH (L)	WIDTH (W)	HEIGHT (H)	TORQUE VALUE (IN./LBS.)	HEX SIZE	STRIP LENGTH	STD. CTN. QTY.
MIN. DIA.	MAX. DIA.							
0.462	0.720	7.625	1.625	2.625	250	1/4	7/8	1
0.618	0.895	7.563	1.188	2.125	360	5/16	1-1/8	1



Polaris™ Blue custom connectors
 Let us help you custom engineer and fabricate a UL Listed direct burial and submersible insulated connector for your next project. Choose any combination and quantity of our standard Polaris Blue and we'll build a connector to meet your exact requirements. Wire entry can even be from either side of the connector, based on your specific project needs. UL486D for direct burial or below ground use and submersible applications.

POLARIS BLUE™ INSULATED CONNECTORS
Direct Burial &
Submersible
ITW, IPLW SERIES



FEATURES

- For connecting multiple wires and are UL Listed (UL486D) for direct burial and submersible applications.
- Insulated with specially formulated high strength dielectric plastisol and molded for precise fit for a direct burial connection.
- Requires no taping, compounds, heat shrink or cutting-to-size in the field.
- Supplied with removable access plugs over the hex screws and pre-filled oxide inhibitor.
- Abrasion and chemical resistant. UV resistant.
- Will not support combustion.
- Dual rated: Suitable for use with aluminum and/or copper conductors.

RATINGS



UL Listed 486D Wire Connector.

TEMPERATURE RATING/VOLTAGE:

AL9CU. Cold temperature rated to -45 °C, rated 600V, 90 °C.

WIRE TYPE:

Suitable for use with aluminum and/or copper conductors. Approved for use with all conductors with insulation suitable for wet and/or damp locations. Not recommended for use with extra flexible cable (see Polaris Grey™ Series page 173).

INSTALLATION INSTRUCTIONS:

See page 213 for detailed installation information.

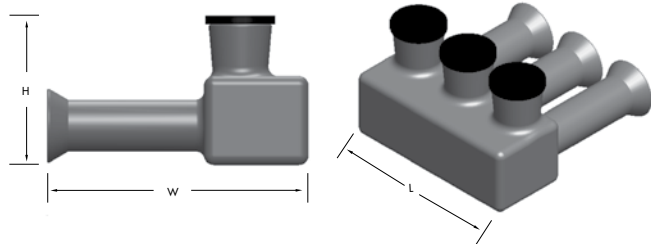


All dimensional data is listed in inches.

CAT. NO.	NO. OF PORTS	WIRE RANGE URD/USE THHN/ XHHW*
ITW-3/0	2	3/0-1/0 AWG
IPLW3/0-3	3	3/0-1/0 AWG
IPLW3/0-4	4	3/0-1/0 AWG
IPLW3/0-5	5	3/0-1/0 AWG
IPLW3/0-6	6	3/0-1/0 AWG
ITW-250	2	250-4/0 AWG
IPLW250-3	3	250-4/0 AWG
IPLW250-4	4	250-4/0 AWG
IPLW250-5	5	250-4/0 AWG
IPLW250-6	6	250-4/0 AWG



INSULATION		HEX SIZE	LENGTH (L)	WIDTH (W)	HEIGHT (H)	TORQUE VALUE (IN./LBS.)	STRIP LENGTH	STD. CTN. QTY.
MIN. DIA.	MAX. DIA.							
0.462	0.720	1/4	2.270	3.710	1.990	250	7/8	1
0.462	0.720	1/4	3.470	3.710	1.990	250	7/8	1
0.462	0.720	1/4	4.670	3.710	1.990	250	7/8	1
0.462	0.720	1/4	5.870	3.710	1.990	250	7/8	1
0.462	0.720	1/4	7.070	3.710	1.990	250	7/8	1
0.618	0.895	5/16	2.510	3.940	2.290	360	1-1/8	1
0.618	0.895	5/16	3.810	3.940	2.290	360	1-1/8	1
0.618	0.895	5/16	5.110	3.940	2.290	360	1-1/8	1
0.618	0.895	5/16	6.410	3.940	2.290	360	1-1/8	1
0.618	0.895	5/16	7.710	3.940	2.290	360	1-1/8	1



Polaris™ Blue custom connectors

Let us help you custom engineer and fabricate a UL Listed direct burial and submersible insulated connector for your next project. Choose any combination and quantity of our standard Polaris Blue and we'll build a connector to meet your exact requirements. Wire entry can even be from either side of the connector, based on your specific project needs. UL486D for direct burial or below ground use and submersible applications.

POLARIS™ INSULATED CONNECTORS

Dual Rated Two-Wire

IT, ITO, ITH SERIES

FEATURES

- Insul-Tap connectors, suitable for connecting two wires.
- For sizes 3/0 AWG and smaller, available in two styles: wires being connected from the same side of the connector (Figure 1) or opposite sides of the connector (Figure 2).
- For sizes 250 MCM and larger, provided with open wire entry ports on both sides of the connector (Figure 3), which allows for access from either side. This style is supplied with removable access plugs to close the entry port not being utilized.
- Abrasion and chemical resistant, UV resistant.
- Will not support combustion.

RATINGS



UL Listed 486B Wire Connector.

TEMPERATURE RATING/VOLTAGE:

AL9CU. Cold temperature rated to -45 °C, rated 600V, 90 °C.

WIRE TYPE:

Dual rated for use with copper and/or aluminum cables. Not recommended for fine-stranded, flexible wire (see Polaris Grey™ Series page 173).



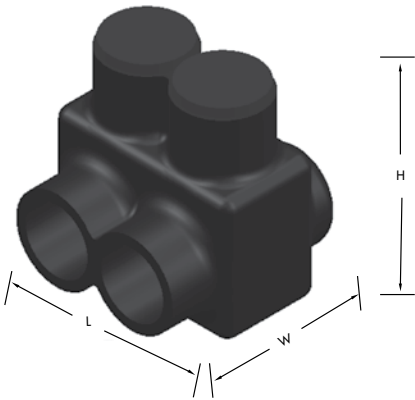
All dimensional data is listed in inches.

CAT. NO.	FIG. NO.
IT-4	1
ITO-4	2
IT-4A	1
IT-1/0	1
ITO-1/0	2
IT-3/0	1
ITO-3/0	2
IT-250	3
IT-350	3
IT-500	3
IT-600	3
IT-750**	3
ITH-750	4

** IT-750 is not UL listed.



WIRE RANGE	NO. OF PORTS	LENGTH (L)	WIDTH (W)	HEIGHT (H)	TORQUE VALUE (IN./LBS.)	HEX/WRENCH SIZE	STD. CTN. QTY.
4-14 AWG	2	1.120	1.180	1.380	35	Slotted	12
4-14 AWG	2	1.120	1.250	1.380	35	Slotted	12
4-14 AWG	2	1.120	1.180	1.380	35	1/8	12
1/0-14 AWG	2	1.620	1.620	1.750	180	3/16	6
1/0-14 AWG	2	1.620	1.750	1.750	180	3/16	6
3/0-6 AWG	2	1.840	1.750	1.870	250	1/4	6
3/0-6 AWG	2	1.840	1.870	1.870	250	1/4	6
250 MCM-6 AWG	2	2.120	2.250	2.250	360	5/16	6
350 MCM-6 AWG	2	2.470	2.500	2.440	400	5/16	4
500 MCM-4 AWG	2	2.810	2.870	2.940	450	5/16	4
600 MCM-6 AWG	2	2.340	2.940	3.050	550	5/16	4
750-250 MCM	2	3.480	3.500	3.500	550	3/8	2
750-1/0 MCM	2	3.480	4.500	3.500	550	5/16	2



POLARIS™ INSULATED CONNECTORS

Dual Rated Splicer/Reducers

ISR SERIES

FEATURES

- Suitable for connecting two wires in-line.
- Insulated with high dielectric strength plastisol and molded for precise fit.
- Supplied with removable access plugs over the hex screw.
- Abrasion and chemical resistant, UV resistant.
- Will not support combustion.

RATINGS



UL Listed 486B Wire Connector.

TEMPERATURE RATING/VOLTAGE:

Cold temperature rated to -45 °C, rated 600V, 90 °C.

WIRE TYPE:

Dual rated for use with copper and/or aluminum cables. Not recommended for use with extra-flexible cables (see Polaris Grey™ Series page 173).

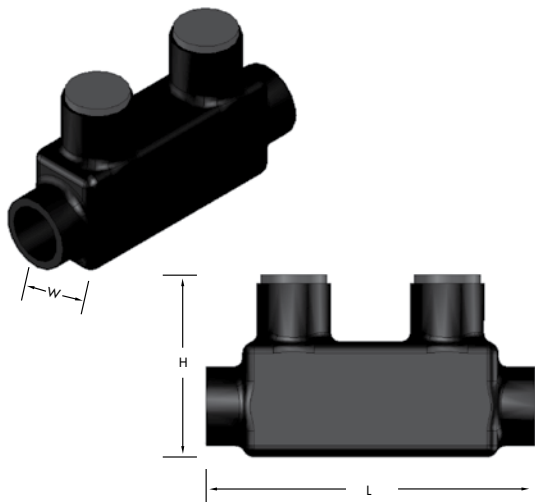


All dimensional data is listed in inches.

CAT. NO.	FIG. NO.
ISR-1/0	1
ISR-250	1
ISR-350	1
ISR-500	1
ISR-600	1
ISRH-750	2



WIRE RANGE	NO. OF PORTS	LENGTH (L)	WIDTH (W)	HEIGHT (H)	TORQUE VALUE (IN./LBS.)	HEX/WRENCH SIZE	STD. CTN. QTY.
1/0-14 AWG	2	3.250	0.900	1.480	180	3/16	4
250 MCM-6 AWG	2	4.000	1.190	1.900	360	5/16	4
350 MCM-6 AWG	2	4.470	1.320	2.200	400	5/16	2
500 MCM-4 AWG	2	4.620	1.620	3.000	450	5/16	2
600 MCM-6 AWG	2	5.830	1.570	3.050	550	5/16	2
750 MCM-1/0 AWG	2	7.250	1.750	3.250	550	5/16	2



POLARIS™ INSULATED CONNECTORS
Multi-Conductor Connector
One Side Wire Entry
IPL SERIES



FEATURES

- Wire entry ports on one side only.
- Eliminates the need for cover and taping.
- Insulated with high-dielectric strength plastisol.
- Molded for precise fit and supplied with removable access plugs over the hex screws.
- Abrasion and chemical resistant, UV resistant.
- Will not support combustion.

RATINGS



UL Listed 486B Wire Connector.

TEMPERATURE RATING/VOLTAGE:

AL9CU. Cold temperature rated to -45 °C, rated 600V, 90 °C.

WIRE TYPE:

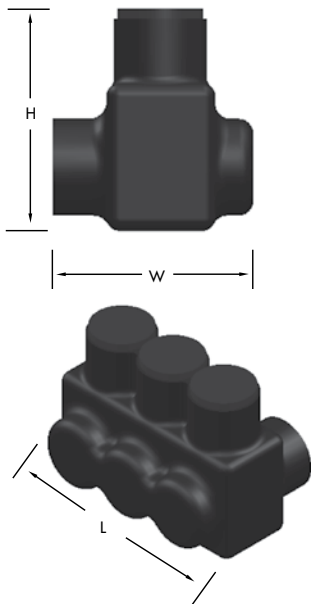
Dual rated for use with copper and/or aluminum cables. Not recommended for fine-stranded, flexible wire.

All dimensional data is listed in inches.

CAT. NO.	NO. OF PORTS
IPL4-3	3
IPL4-3A	3
IPL4-4	4
IPL4-4A	4
IPL4-5	5
IPL4-6	6
IPL4-8	8
IPL4-8A	8
IPL4-10	10
IPL4-12	12
IPL4-14	14
IPL1/0-3	3
IPL1/0-4	4
IPL1/0-5	5
IPL1/0-6	6
IPL1/0-8	8
IPL1/0-10	10
IPL1/0-12	12
IPL1/0-14	14
IPL3/0-3	3
IPL3/0-4	4
IPL3/0-5	5
IPL3/0-6	6
IPL3/0-8	8



WIRE RANGE	LENGTH (L)	WIDTH (W)	HEIGHT (H)	TORQUE VALUE (IN./LBS.)	HEX/WRENCH SIZE	STD. CTN. QTY.
4-14 AWG	1.550	1.188	1.375	45	Slotted	12
4-14 AWG	1.550	1.188	1.375	45	1/8	12
4-14 AWG	1.970	1.188	1.375	45	Slotted	6
4-14 AWG	1.970	1.188	1.375	45	1/8	6
4-14 AWG	2.390	1.188	1.375	45	Slotted	6
4-14 AWG	2.810	1.188	1.375	45	Slotted	6
4-14 AWG	3.660	1.188	1.375	45	Slotted	4
4-14 AWG	3.660	1.188	1.375	45	1/8	4
4-14 AWG	4.500	1.188	1.375	45	Slotted	4
4-14 AWG	5.100	1.188	1.375	45	Slotted	2
4-14 AWG	6.180	1.188	1.375	180	3/16	12
1/0-14 AWG	2.240	1.500	1.688	180	3/16	6
1/0-14 AWG	2.890	1.500	1.688	180	3/16	6
1/0-14 AWG	3.540	1.500	1.688	180	3/16	6
1/0-14 AWG	4.190	1.500	1.688	180	3/16	4
1/0-14 AWG	5.490	1.500	1.688	180	3/16	4
1/0-14 AWG	6.820	1.500	1.688	180	3/16	3
1/0-14 AWG	8.120	1.500	1.688	180	3/16	2
1/0-14 AWG	9.420	1.500	1.688	250	5/16	6
3/0-6 AWG	2.630	1.600	1.800	250	5/16	6
3/0-6 AWG	3.410	1.600	1.800	250	5/16	4
3/0-6 AWG	4.190	1.600	1.800	250	5/16	4
3/0-6 AWG	4.970	1.600	1.800	250	5/16	3
3/0-6 AWG	6.530	1.600	1.800	250	5/16	3



POLARIS™ INSULATED CONNECTORS
Multi-Conductor Connector
One Side Wire Entry
IPL SERIES CONT'D



FEATURES

- Wire entry ports on one side only.
- Eliminates the need for cover and taping.
- Insulated with high-dielectric strength plastisol.
- Molded for precise fit and supplied with removable access plugs over the hex screws.
- Abrasion and chemical resistant, UV resistant.
- Will not support combustion.

RATINGS



UL Listed 486B Wire Connector.

TEMPERATURE RATING/VOLTAGE:

AL9CU. Cold temperature rated to -45 °C, rated 600V, 90 °C.

WIRE TYPE:

Dual rated for use with copper and/or aluminum cables. Not recommended for fine-stranded, flexible wire.

All dimensional data is listed in inches.

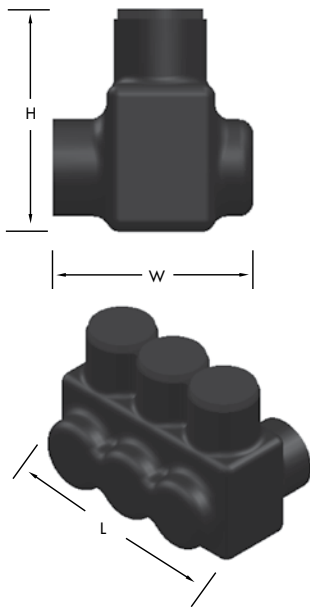
CAT. NO.	NO. OF PORTS
IPL250-3	3
IPL250-4	4
IPL250-5	5
IPL250-6	6
IPL250-8	8
IPL350-3	3
IPL350-4	4
IPL350-5	5
IPL350-6	6
IPL350-8	8
IPL500-3	3
IPL500-4	4
IPL500-5	5
IPL500-6	6
IPL500-7	7
IPL500-8	8
IPL600-3*	3
IPL600-4*	4
IPL600-6*	6
IPL750-3**	3
IPL750-4**	4
IPL750-5**	5
IPL750-6**	6

*AL7CU rated.

**Not UL listed.



WIRE RANGE	LENGTH (L)	WIDTH (W)	HEIGHT (H)	TORQUE VALUE (IN./LBS.)	HEX/WRENCH SIZE	STD. CTN. QTY.
250 MCM-6 AWG	2.930	2.030	2.180	360	5/16	6
250 MCM-6 AWG	3.800	2.030	2.180	360	5/16	4
250 MCM-6 AWG	4.660	2.030	2.180	360	5/16	4
250 MCM-6 AWG	5.220	2.030	2.180	360	5/16	3
250 MCM-6 AWG	7.240	2.030	2.180	400	5/16	4
350 MCM-6 AWG	3.470	2.130	2.460	400	5/16	3
350 MCM-6 AWG	4.540	2.130	2.460	400	5/16	3
350 MCM-6 AWG	5.570	2.130	2.460	400	5/16	2
350 MCM-6 AWG	6.620	2.130	2.460	400	5/16	2
350 MCM-6 AWG	8.720	2.130	2.460	450	5/16	3
500 MCM-4 AWG	3.960	2.500	2.940	450	5/16	3
500 MCM-4 AWG	5.110	2.500	2.940	450	5/16	2
500 MCM-4 AWG	6.250	2.500	2.940	450	5/16	2
500 MCM-4 AWG	7.400	2.500	2.940	450	5/16	2
500 MCM-4 AWG	8.590	2.500	2.940	450	5/16	2
500 MCM-4 AWG	9.690	2.500	2.940	550	5/16	3
600 MCM-6 AWG	4.470	2.710	3.020	550	5/16	2
600 MCM-6 AWG	5.770	2.710	3.020	550	5/16	2
600 MCM-6 AWG	8.370	2.710	3.020	550	3/8	3
750-250 MCM	4.950	3.090	3.490	550	3/8	2
750-250 MCM	6.380	3.090	3.490	550	3/8	1
750-250 MCM	7.800	3.090	3.490	550	3/8	1
750-250 MCM	9.230	3.090	3.490	550	3/8	1



POLARIS™ INSULATED CONNECTORS
Multi-Conductor Connector
Either Side Wire Entry
IPLD SERIES



FEATURES

- Wire entry ports on both sides of the connector allow for access from either side.
- Eliminates the need for cover and taping.
- Insulated with high-dielectric strength plastisol.
- Molded for precise fit and supplied with removable access plugs over the hex screws.
- Supplied with removable plugs to close the entry port not being utilized.
- Abrasion and chemical resistant, UV resistant.
- Will not support combustion.

RATINGS



UL Listed 486B Wire Connector.

TEMPERATURE RATING/VOLTAGE:

AL9CU. Cold temperature rated to -45 °C, rated 600V, 90 °C.

WIRE TYPE:

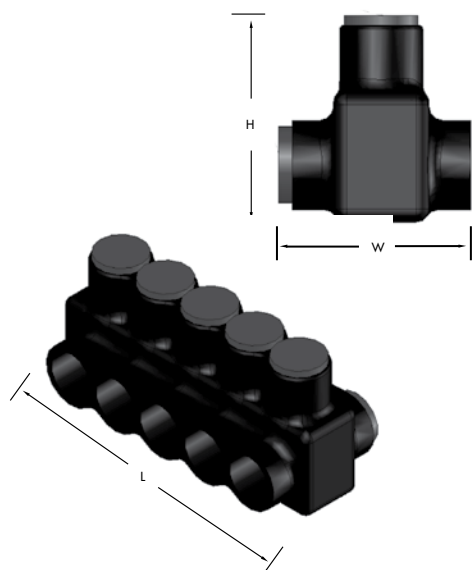
Dual rated for use with copper and/or aluminum cables. Not recommended for fine-stranded, flexible wire.

All dimensional data is listed in inches.

CAT. NO.	NO. OF PORTS
IPLD3/0-3	3
IPLD3/0-4	4
IPLD3/0-5	5
IPLD3/0-6	6
IPLD3/0-7	7
IPLD3/0-8	8
IPLD3/0-10	10
IPLD3/0-12	12
IPLD250-3	3
IPLD250-4	4
IPLD250-5	5
IPLD250-6	6
IPLD250-7	7
IPLD250-8	8
IPLD250-10	10
IPLD250-12	12
IPLD350-3	3
IPLD350-4	4
IPLD350-5	5
IPLD350-6	6
IPLD350-7	7
IPLD350-8	8
IPLD350-9	9
IPLD350-10	10
IPLD350-12	12



WIRE RANGE	LENGTH (L)	WIDTH (W)	HEIGHT (H)	TORQUE VALUE (IN./LBS.)	HEX/WRENCH SIZE	STD. CTN. QTY.
3/0-6 AWG	2.630	1.830	1.790	250	1/4	6
3/0-6 AWG	3.410	1.830	1.790	250	1/4	6
3/0-6 AWG	4.190	1.830	1.790	250	1/4	4
3/0-6 AWG	4.970	1.830	1.790	250	1/4	4
3/0-6 AWG	5.750	1.830	1.790	250	1/4	3
3/0-6 AWG	6.530	1.830	1.790	250	1/4	3
3/0-6 AWG	8.090	1.830	1.790	250	1/4	2
3/0-6 AWG	11.210	1.830	1.790	250	1/4	2
250 MCM-6 AWG	2.930	2.280	2.180	360	5/16	6
250 MCM-6 AWG	3.800	2.280	2.180	360	5/16	6
250 MCM-6 AWG	4.660	2.280	2.180	360	5/16	4
250 MCM-6 AWG	5.520	2.280	2.180	360	5/16	4
250 MCM-6 AWG	6.380	2.280	2.180	360	5/16	3
250 MCM-6 AWG	7.240	2.280	2.180	360	5/16	3
250 MCM-6 AWG	8.970	2.280	2.180	360	5/16	2
250 MCM-6 AWG	10.740	2.280	2.180	360	5/16	2
350 MCM-6 AWG	3.520	2.410	2.610	400	5/16	3
350 MCM-6 AWG	4.570	2.410	2.610	400	5/16	3
350 MCM-6 AWG	5.620	2.410	2.610	400	5/16	3
350 MCM-6 AWG	6.670	2.410	2.610	400	5/16	3
350 MCM-6 AWG	7.720	2.410	2.610	400	5/16	2
350 MCM-6 AWG	8.770	2.410	2.610	400	5/16	2
350 MCM-6 AWG	9.820	2.410	2.610	400	5/16	2
350 MCM-6 AWG	10.870	2.410	2.610	400	5/16	2
350 MCM-6 AWG	12.970	2.410	2.610	400	5/16	1



POLARIS™ INSULATED CONNECTORS
Multi-Cable Blocks
Either Side Wire Entry
IPLD SERIES



FEATURES

- Wire entry ports on both sides of the connector allow for access from either side.
- Eliminates the need for cover and taping.
- Insulated with high-dielectric strength plastisol.
- Molded for precise fit and supplied with removable access plugs over the hex screws.
- Supplied with removable plugs to close the entry port not being utilized.
- Abrasion and chemical resistant, UV resistant.
- Will not support combustion.

RATINGS



UL Listed 486B Wire Connector.

TEMPERATURE RATING/VOLTAGE:

AL9CU. Cold temperature rated to -45 °C, rated 600V, 90 °C.

WIRE TYPE:

Dual rated for use with copper and/or aluminum cables. Not recommended for fine-stranded, flexible wire.

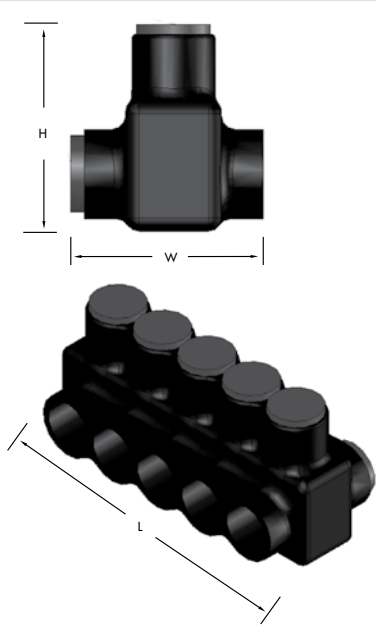
All dimensional data is listed in inches.

CAT. NO.	NO. OF PORTS
IPLD500-3	3
IPLD500-4	4
IPLD500-5	5
IPLD500-6	6
IPLD500-7	7
IPLD500-8	8
IPLD500-9	9
IPLD500-10	10
IPLD500-12	12
IPLD600-3	3
IPLD600-4	4
IPLD600-5	5
IPLD600-6	6
IPLD600-7	7
IPLD600-8	8
IPLD600-9	9
IPLD600-10	10
IPLD600-12	12
IPLD750-3*	3
IPLD750-4*	4
IPLD750-5*	5
IPLD750-6*	6
IPLD750-7*	7
IPLD750-8*	8
IPLD750-9*	9
IPLD750-10*	10
IPLD750-12*	12

*Not UL listed.



WIRE RANGE	LENGTH (L)	WIDTH (W)	HEIGHT (H)	TORQUE VALUE (IN./LBS.)	HEX/WRENCH SIZE	STD. CTN. QTY.
500 MCM-4 AWG	4.010	2.830	2.910	450	5/16	3
500 MCM-4 AWG	5.240	2.830	2.910	450	5/16	3
500 MCM-4 AWG	6.380	2.830	2.910	450	5/16	2
500 MCM-4 AWG	7.520	2.830	2.910	450	5/16	2
500 MCM-4 AWG	8.670	2.830	2.910	450	5/16	2
500 MCM-4 AWG	9.820	2.830	2.910	450	5/16	2
500 MCM-4 AWG	10.880	2.830	2.910	450	5/16	2
500 MCM-4 AWG	12.110	2.960	3.030	450	5/16	1
500 MCM-4 AWG	14.400	2.960	3.030	450	5/16	1
600 MCM-6 AWG	4.550	2.960	3.030	450	5/16	3
600 MCM-6 AWG	5.850	2.960	3.030	450	5/16	3
600 MCM-6 AWG	7.150	2.960	3.030	450	5/16	2
600 MCM-6 AWG	8.450	2.960	3.030	550	5/16	2
600 MCM-6 AWG	9.750	2.960	3.030	550	5/16	2
600 MCM-6 AWG	11.050	2.960	3.030	550	5/16	2
600 MCM-6 AWG	12.390	2.960	3.030	550	5/16	1
600 MCM-6 AWG	13.650	3.410	3.420	550	5/16	1
600 MCM-6 AWG	16.250	3.410	3.420	550	5/16	1
750-250 MCM	4.950	3.410	3.420	550	3/8	3
750-250 MCM	6.380	3.410	3.420	550	3/8	2
750-250 MCM	7.800	3.410	3.420	550	3/8	1
750-250 MCM	9.230	3.410	3.420	550	3/8	1
750-250 MCM	10.650	3.410	3.420	550	3/8	1
750-250 MCM	12.080	3.410	3.420	550	3/8	1
750-250 MCM	13.690	3.410	3.420	550	3/8	1
750-250 MCM	14.930	3.410	3.420	550	3/8	1
750-250 MCM	17.780	3.410	3.420	550	3/8	1



POLARIS™ INSULATED CONNECTORS
Heavy Duty Connectors
Either Side Wire Entry
IPLDH SERIES



FEATURES

- Connector block is double the size of the standard IPLD Series connector with two pressure screws provided for each cable to ensure the best connection possible.
- Designed, built and tested to handle even the most demanding applications from 250 MCM to 750 MCM.
- Insulated with high-dielectric strength plastisol molded for a precise fit.
- Supplied with removable access plugs to allow for cable entry from either side of the connector.
- Eliminates the need for cover and taping.
- Abrasion and chemical resistant, UV resistant.
- Will not support combustion.

RATINGS



UL Listed 486B Wire Connector.

TEMPERATURE RATING/VOLTAGE:

AL9CU. Cold temperature rated to -45 °C, rated 600V, 90 °C.

WIRE TYPE:

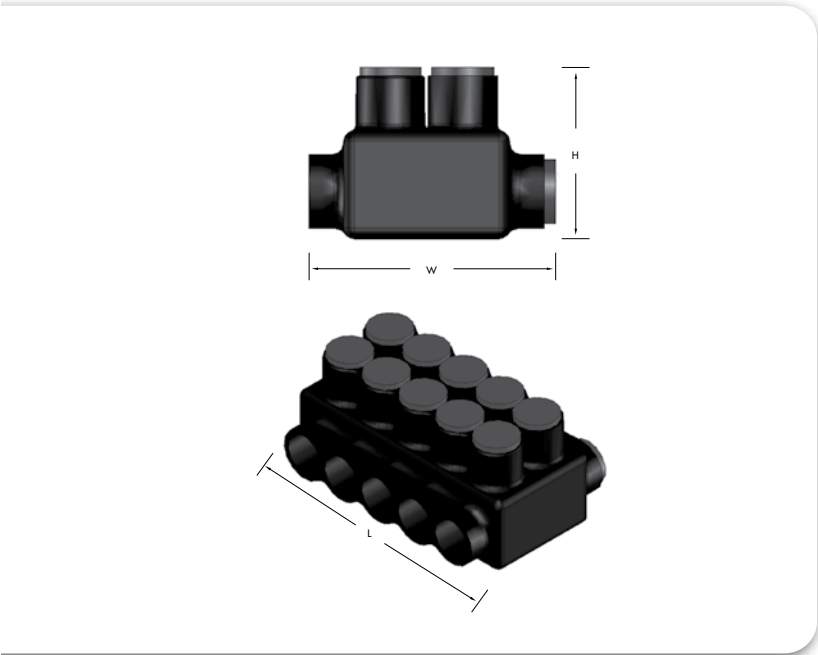
Dual rated for use with copper and/or aluminum cables. Not recommended for fine-stranded, flexible wire.

All dimensional data is listed in inches.

CAT. NO.	NO. OF PORTS
IPLDH750-3	3
IPLDH750-4	4
IPLDH750-5	5
IPLDH750-6	6
IPLDH750-8	8
IPLDH750-10	10



WIRE RANGE	LENGTH (L)	WIDTH (W)	HEIGHT (H)	TORQUE VALUE (IN./LBS.)	HEX/WRENCH SIZE	STD. CTN. QTY.
750 MCM - 1/0 AWG	4.950	4.460	3.300	550	5/16	2
750 MCM - 1/0 AWG	6.380	4.460	3.300	550	5/16	2
750 MCM - 1/0 AWG	7.800	4.460	3.300	550	5/16	1
750 MCM - 1/0 AWG	9.230	4.460	3.300	550	5/16	1
750 MCM - 1/0 AWG	12.080	4.460	3.300	550	5/16	1
750 MCM - 1/0 AWG	14.600	4.460	3.300	550	5/16	1



POLARIS™ INSULATED CONNECTORS
Multi-Cable Stacked
Either Side Wire Entry
IPLDS SERIES



FEATURES

- Exceptional for use with large wire sizes, especially in tight-fitting spaces, small wire ways and panels.
- The wire holes on the bottom row allow for entry from either side of the connector for even greater versatility.
- Wire entry holes are stacked on top of each other for the ultimate in compact design.
- Supplied with removable plugs to close the entry port not being utilized.
- Abrasion and chemical resistant, UV resistant.
- Will not support combustion.

RATINGS



UL Listed 486B Wire Connector.

TEMPERATURE RATING/VOLTAGE:

Cold temperature rated to -45 °C, rated 600V, 90 °C.

WIRE TYPE:

Dual rated for use with copper and/or aluminum cables. Not recommended for fine-stranded, flexible wire.

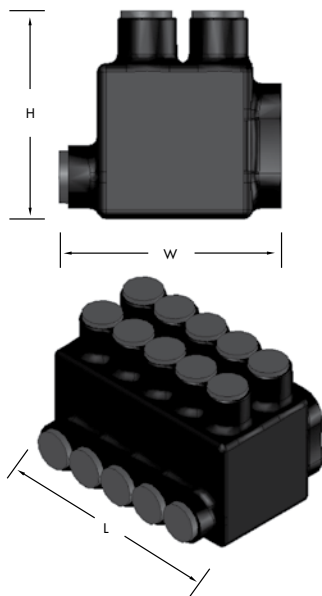
All dimensional data is listed in inches.

CAT. NO.	NO. OF PORTS
IPLDS350-4	4
IPLDS350-6	6
IPLDS350-8	8
IPLDS350-10	10
IPLDS350-12	12
IPLDS500-4	4
IPLDS500-6	6
IPLDS500-8	8
IPLDS500-10	10
IPLDS500-12	12
IPLDS750-6	6
IPLDS750-8	8
IPLDS750-10	10
IPLDS750-12	12

* 750 MCM not UL Listed.



WIRE RANGE	LENGTH (L)	WIDTH (W)	HEIGHT (H)	TORQUE VALUE (IN./LBS.)	HEX SIZE	STD. CTN. QTY.
350 MCM-6 AWG	2.550	3.910	3.520	400	5/16	1
350 MCM-6 AWG	3.600	3.910	3.520	400	5/16	1
350 MCM-6 AWG	4.650	3.910	3.520	400	5/16	1
350 MCM-6 AWG	5.700	3.910	3.520	400	5/16	1
350 MCM-6 AWG	6.750	3.910	3.520	400	5/16	1
500 MCM-4 AWG	2.940	4.710	4.280	450	5/16	1
500 MCM-4 AWG	4.080	4.710	4.280	450	5/16	1
500 MCM-4 AWG	5.230	4.710	4.280	450	5/16	1
500 MCM-4 AWG	6.380	4.710	4.280	450	5/16	1
500 MCM-4 AWG	7.520	4.710	4.280	450	5/16	1
750-250 MCM	4.950	4.970	4.920	550	3/8	1
750-250 MCM	6.380	4.970	4.920	550	3/8	1
750-250 MCM	7.800	4.970	4.920	550	3/8	1
750-250 MCM	9.230	4.970	4.920	550	3/8	1



POLARIS™ INSULATED CONNECTORS
Multi-Connector Bloks
With Mounting Holes,
One Side Wire Entry
IPLM SERIES



FEATURES

- Wire entry ports on one side only.
- Mounting holes at each end of the connector allow for direct isolated mounting to the trough, panel or wireway.
- IPLM Series connectors are insulated with high-dielectric strength plastisol.
- Molded for precise fit and supplied with removable access plugs over the hex screws.
- Eliminates the need for cover and taping.
- Abrasion and chemical resistant, UV resistant.
- Will not support combustion.
- Mounting holes will accept a 1/4" bolt.

RATINGS



UL Listed 486B Wire Connector.

TEMPERATURE RATING/VOLTAGE:

Cold temperature rated to -45 °C, rated 600V, 90 °C.

WIRE TYPE:

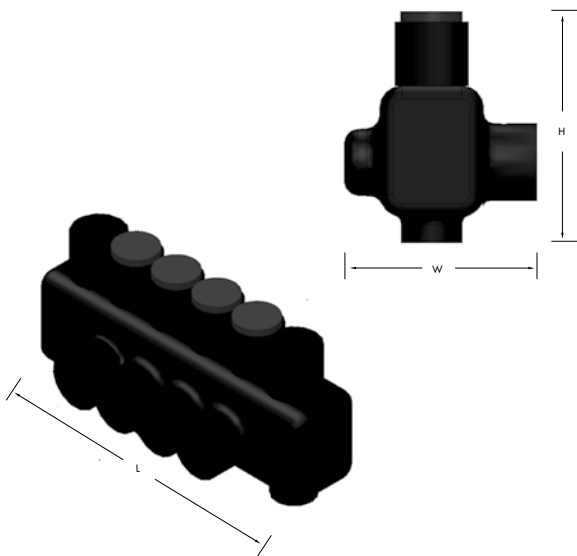
Dual rated for use with copper and/or aluminum cables.
 Not recommended for fine-stranded, flexible wire.

All dimensional data is listed in inches.

CAT. NO.	NO. OF PORTS
IPLM4-3	3
IPLM4-4	4
IPLM4-5	5
IPLM4-6	6
IPLM4-7	7
IPLM4-10	10
IPLM1/O-3	3
IPLM1/O-4	4
IPLM1/O-5	5
IPLM1/O-6	6
IPLM1/O-8	8
IPLM1/O-9	9
IPLM1/O-10	10



WIRE RANGE	LENGTH (L)	WIDTH (W)	HEIGHT (H)	TORQUE VALUE (IN./LBS.)	HEX SIZE	STD. CTN. QTY.
4-14 AWG	2.750	1.240	1.390	45	Slotted	6
4-14 AWG	3.180	1.240	1.390	45	Slotted	6
4-14 AWG	3.600	1.240	1.390	45	Slotted	4
4-14 AWG	4.020	1.240	1.390	45	Slotted	4
4-14 AWG	4.190	1.240	1.390	45	Slotted	4
4-14 AWG	5.710	1.240	1.390	45	Slotted	3
1/0-14 AWG	3.460	1.550	1.820	180	3/16	6
1/0-14 AWG	4.110	1.550	1.820	180	3/16	6
1/0-14 AWG	4.760	1.550	1.820	180	3/16	4
1/0-14 AWG	5.410	1.550	1.820	180	3/16	4
1/0-14 AWG	6.710	1.550	1.820	180	3/16	4
1/0-14 AWG	7.520	1.550	1.820	180	3/16	3
1/0-14 AWG	8.010	1.550	1.820	180	3/16	3



POLARIS™ INSULATED CONNECTORS
Multi-Conductor With
Mounting Holes,
Either Side Wire Entry
IPLMD SERIES



FEATURES

- Wire entry ports on both sides of the connector allow for access from either side.
- Supplied with removable access plugs to close the entry port not being used.
- The mounting holes at each end of the connector allow for direct isolated mounting to the trough, panel or wireway.
- Insulated with high-dielectric strength plastisol. Molded for precise fit and supplied with removable access plugs over the hex screws.
- Eliminates the need for cover and taping.
- Abrasion and chemical resistant, UV resistant.
- Will not support combustion.

RATINGS



UL Listed 486B Wire Connector.

TEMPERATURE RATING/VOLTAGE:

AL9CU. Cold temperature rated to -45 °C, rated 600V, 90 °C.

WIRE TYPE:

Dual rated for use with copper and/or aluminum cables. Not recommended for fine-stranded, flexible wire.

MOUNTING:

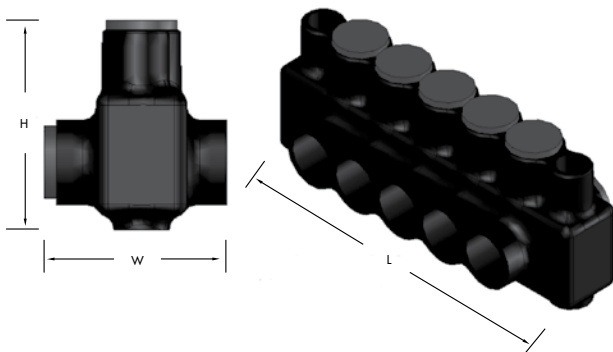
Mounting holes will accept a 1/4" bolt for 3/0 AWG and a 5/16" bolt for 250 MCM and 350 MCM.

All dimensional data is listed in inches.

CAT. NO.	NO. OF PORTS
IPLMD3/0-3	3
IPLMD3/0-4	4
IPLMD3/0-5	5
IPLMD3/0-6	6
IPLMD3/0-7	7
IPLMD3/0-8	8
IPLMD3/0-9	9
IPLMD3/0-10	10
IPLMD250-3	3
IPLMD250-4	4
IPLMD250-5	5
IPLMD250-6	6
IPLMD250-7	7
IPLMD250-8	8
IPLMD250-10	10
IPLMD250-12	12
IPLMD350-3	3
IPLMD350-4	4
IPLMD350-5	5
IPLMD350-6	6
IPLMD350-7	7
IPLMD350-8	8
IPLMD350-10	10
IPLMD350-12	12



WIRE RANGE	LENGTH (L)	WIDTH (W)	HEIGHT (H)	TORQUE VALUE (IN./LBS.)	HEX SIZE	STD. CTN. QTY.
3/0-6 AWG	3.870	1.830	1.910	250	1/4	3
3/0-6 AWG	4.650	1.830	1.910	250	1/4	3
3/0-6 AWG	5.430	1.830	1.910	250	1/4	2
3/0-6 AWG	6.210	1.830	1.910	250	1/4	2
3/0-6 AWG	6.990	1.830	1.910	250	1/4	2
3/0-6 AWG	7.770	1.830	1.910	250	1/4	2
3/0-6 AWG	8.600	1.830	1.910	250	1/4	2
3/0-6 AWG	9.330	1.830	1.910	250	1/4	2
250 MCM-6 AWG	4.420	2.280	2.370	360	5/16	2
250 MCM-6 AWG	5.280	2.280	2.370	360	5/16	2
250 MCM-6 AWG	6.140	2.280	2.370	360	5/16	2
250 MCM-6 AWG	7.010	2.280	2.370	360	5/16	2
250 MCM-6 AWG	7.820	2.280	2.370	360	5/16	2
250 MCM-6 AWG	8.730	2.280	2.370	360	5/16	2
250 MCM-6 AWG	10.400	2.280	2.370	360	5/16	2
250 MCM-6 AWG	12.130	2.280	2.370	360	5/16	1
350 MCM-6 AWG	5.120	2.410	2.770	400	5/16	2
350 MCM-6 AWG	6.170	2.410	2.770	400	5/16	2
350 MCM-6 AWG	7.220	2.410	2.770	400	5/16	2
350 MCM-6 AWG	8.270	2.410	2.770	400	5/16	2
350 MCM-6 AWG	9.320	2.410	2.770	400	5/16	2
350 MCM-6 AWG	10.370	2.410	2.770	400	5/16	2
350 MCM-6 AWG	12.470	2.410	2.770	400	5/16	2
350 MCM-6 AWG	14.570	2.410	2.770	400	5/16	1



POLARIS™ INSULATED CONNECTORS
Multi-Conductor With
Mounting Holes,
Either Side Wire Entry
IPLMD SERIES CONT'D



FEATURES

- Wire entry ports on both sides of the connector allow for access from either side.
- Supplied with removable access plugs to close the entry port not being used.
- The mounting holes at each end of the connector allow for direct isolated mounting to the trough, panel or wireway.
- Insulated with high-dielectric strength plastisol.
- Molded for precise fit and supplied with removable access plugs over the hex screws.
- Eliminates the need for cover and taping.
- Abrasion and chemical resistant, UV resistant.
- Will not support combustion.

RATINGS



UL Listed 486B Wire Connector.

TEMPERATURE RATING/VOLTAGE:

AL9CU. Cold temperature rated to -45 °C, rated 600V, 90 °C.

WIRE TYPE:

Dual rated for use with copper and/or aluminum cables.
 Not recommended for fine-stranded, flexible wire.

MOUNTING:

Mounting holes will accept a 1/4" bolt for 3/0 AWG and a 5/16" bolt for 250 MCM and 350 MCM.

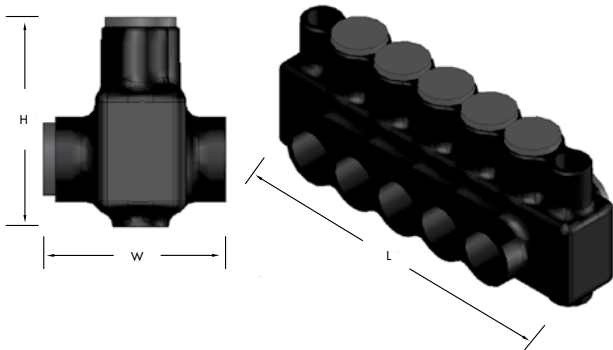
All dimensional data is listed in inches.

CAT. NO.	NO. OF PORTS
IPLMD500-3	3
IPLMD500-4	4
IPLMD500-5	5
IPLMD500-6	6
IPLMD500-7	7
IPLMD500-8	8
IPLMD500-9	9
IPLMD500-10	10
IPLMD500-12	12
IPLMD600-3	3
IPLMD600-4	4
IPLMD600-5	5
IPLMD600-6	6
IPLMD600-8	8
IPLMD600-9	9
IPLMD600-10	10
IPLMD600-12	12
IPLMD750-3*	3
IPLMD750-4*	4
IPLMD750-5*	5
IPLMD750-6*	6
IPLMD750-7*	7
IPLMD750-8*	8
IPLMD750-9*	9
IPLMD750-10*	10
IPLMD750-12*	12

*750 MCM not UL listed



WIRE RANGE	LENGTH (L)	WIDTH (W)	HEIGHT (H)	TORQUE VALUE (IN./LBS.)	HEX SIZE	STD. CTN. QTY.
500 MCM-4 AWG	5.510	2.810	3.030	450	5/16	2
500 MCM-4 AWG	6.650	2.810	3.030	450	5/16	2
500 MCM-4 AWG	7.800	2.810	3.030	450	5/16	2
500 MCM-4 AWG	8.940	2.810	3.030	450	5/16	2
500 MCM-4 AWG	9.710	2.810	3.030	450	5/16	2
500 MCM-4 AWG	11.230	2.810	3.030	450	5/16	2
500 MCM-4 AWG	12.480	2.810	3.030	450	5/16	2
500 MCM-4 AWG	13.520	2.810	3.030	450	5/16	1
500 MCM-4 AWG	15.440	2.810	3.030	550	5/16	1
600 MCM-6 AWG	5.880	2.960	3.150	550	5/16	1
600 MCM-6 AWG	7.180	2.960	3.150	550	5/16	
600 MCM-6 AWG	8.480	2.960	3.150	550	5/16	1
600 MCM-6 AWG	9.780	2.960	3.150	550	5/16	1
600 MCM-6 AWG	10.700	2.960	3.150	550	5/16	1
600 MCM-6 AWG	13.610	2.960	3.150	550	5/16	1
600 MCM-6 AWG	14.980	2.960	3.150	550	5/16	1
600 MCM-6 AWG	17.200	2.960	3.150	550	5/16	1
750-250 MCM	6.320	3.410	3.540	550	5/16	1
750-250 MCM	7.750	3.410	3.540	550	5/16	1
750-250 MCM	9.180	3.410	3.540	550	5/16	1
750-250 MCM	10.600	3.410	3.540	550	5/16	1
750-250 MCM	11.650	3.410	3.540	550	5/16	1
750-250 MCM	13.450	3.410	3.540	550	5/16	1
750-250 MCM	15.050	3.410	3.540	550	5/16	1
750-250 MCM	16.300	3.410	3.540	550	5/16	1
750-250 MCM	18.780	3.410	3.540	550	5/16	1



POLARIS™

Submersible Pedestal Connectors

ISPB, ISPC SERIES



FEATURES

- Manufactured from high strength 6061-T6 aluminum alloy, providing premium electrical and mechanical performance.
- Radial tipped set-screws reduce conductor strand damage, and the range taking design allows for many sizes and types of conductors – all in one connector.
- Encapsulated in rubber with a nominal thickness of 125 mils. and high dielectric strength.
- ISPC connectors (clear) allow for an easier installation.
- Abrasion and chemical resistant, UV resistant.
- Will not support combustion.

RATINGS

Meets or exceeds ANSI C119.4 Class A specifications

TEMPERATURE RATING/VOLTAGE:

AL9CU. Cold temperature rated to -45 °C, rated 600V, 90 °C.

WIRE TYPE:

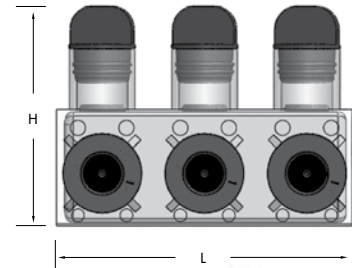
For use with copper and/or aluminum cables.

INSTALLATION INSTRUCTIONS:

See page 214 for detailed installation information.

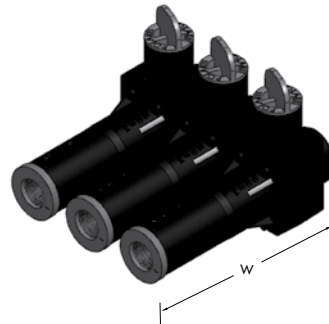
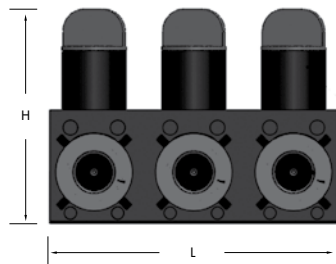
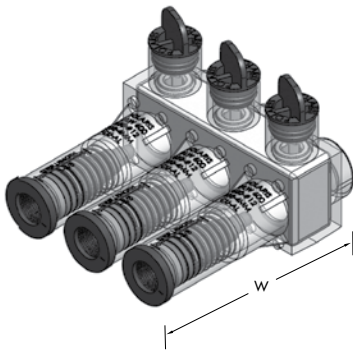
All dimensional data is listed in inches.

CAT. NO.	NO. OF PORTS
ISPB350-3	3
ISPB350-4	4
ISPB350-6	6
ISPC350-3	3
ISPC350-4	4
ISPC350-6	6
ISPB600-3	3
ISPB600-4	4
ISPB600-6	6





COLOR	WIRE RANGE	LENGTH (L)	WIDTH (W)	HEIGHT (H)	TORQUE VALUE (IN./LBS.)	HEX SIZE	STD. CTN. QTY.
Black	350 MCM-12 AWG	3.610	4.190	3.060	360	5/16	1
Black	350 MCM-12 AWG	4.800	4.190	3.060	360	5/16	1
Black	350 MCM-12 AWG	7.180	4.190	3.060	360	5/16	1
Clear	350 MCM-12 AWG	3.610	4.190	3.060	360	5/16	1
Clear	350 MCM-12 AWG	4.800	4.190	3.060	360	5/16	1
Clear	350 MCM-12 AWG	7.180	4.190	3.060	360	5/16	1
Black	600 MCM-12 AWG	4.870	5.460	3.130	550	5/16	1
Black	600 MCM-12 AWG	6.560	5.460	3.130	550	5/16	1
Black	600 MCM-12 AWG	9.940	5.460	3.130	550	5/16	1



POLARIS™
Submersible Connectors
 ISPB, ISPBO, ISPBS SERIES



FEATURES

- Manufactured from high strength 6061-T6 aluminum alloy, providing premium electrical and mechanical performance.
- Radial tipped set-screws reduce conductor strand damage, and the range taking design allows for many sizes and types of conductors – all in one connector.
- Encapsulated in rubber with a nominal thickness of 125 mils.
- Abrasion and chemical resistant, UV resistant
- Will not support combustion.

All dimensional data is listed in inches.

CAT. NO.	NO. OF PORTS	FIG.
ISPBS2/0	2	1
ISPBS350	2	1
ISPB2/0-2	2	2
ISPB2/0-3	3	2
ISPB2/0-4	4	2
ISPB2/0-6	6	2
ISPBO2/0	3	3

*ISPBS350 - Not UL Listed.

RATINGS



UL Listed 486D Wire Connector.
 Meets or exceeds ANSI C119.4 Class A specifications.

TEMPERATURE RATING/VOLTAGE:

AL9CU. Cold temperature rated to -45 °C, rated 600V, 90 °C.

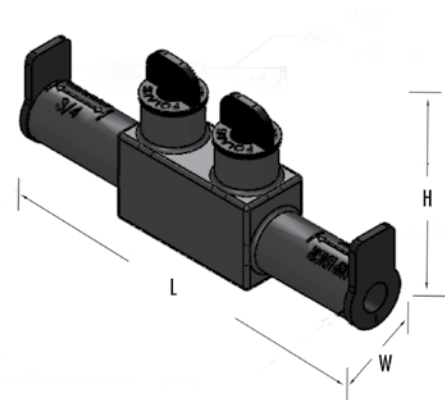
WIRE TYPE:

Dual rated for copper or aluminum conductors.

INSTALLATION INSTRUCTIONS:

See page 216 for detailed installation information.

FIG. 1





COLOR	WIRE RANGE KCMIL	LENGTH (L)	WIDTH (W)	HEIGHT (H)	TORQUE VALUE (IN./LBS.)	HEX SIZE	STD. CTN. QTY.
Black	2/0-#14	5.05	0.88	2.1	SEE TABLE 1	3/16	1
Black	350-#12	8.28	1.31	3.06		5/16	1
Black	2/0-#14	1.93	2.65	2.10		3/16	1
Black	2/0-#14	2.79	2.65	2.10		3/16	1
Black	2/0-#14	3.65	2.65	2.10		3/16	1
Black	2/0-#14	5.37	2.65	2.10		3/16	1
Black	2/0-#14	2.79	4.18	2.10		3/16	1

Table 1

CONDUCTOR RANGE	INCH-POUNDS
#10 - #14	35
#8	75
2/0-#6	120

FIG. 2

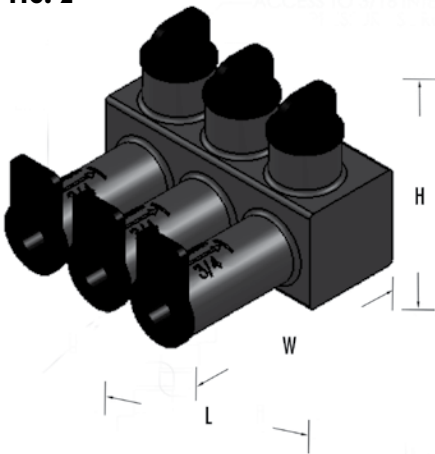
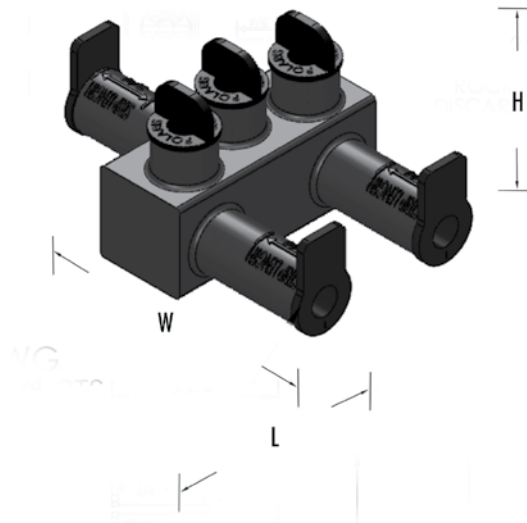


FIG. 3



POLARIS™

Heavy Duty Uninsulated Either Side Wire Entry PLH SERIES



FEATURES

- Connector block is double the size of the standard PL Series connector. Two pressure screws provided for each cable to ensure the best connection possible.
- Heavy duty PLH Series connectors are designed to handle the most demanding applications from 250 MCM to 750 MCM.
- Plated for corrosion resistance.

RATINGS



UL Listed 486B Wire Connector.

TEMPERATURE RATING/VOLTAGE:

AL9CU. Rated 600V, 90 °C.

WIRE TYPE:

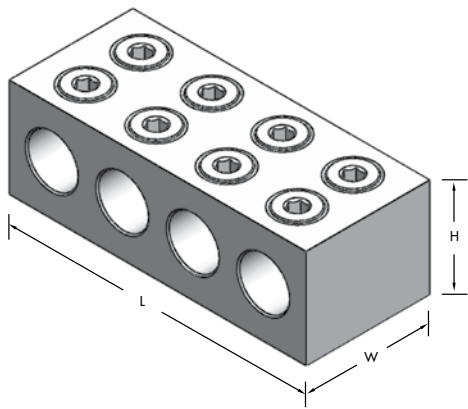
Dual rated for use with copper and/or aluminum cables. Not recommended for fine-stranded, flexible wire.

All dimensional data is listed in inches.

CAT. NO.	NO. OF PORTS
PLH750-6	6
PLH750-10	10



WIRE RANGE	LENGTH (L)	WIDTH (W)	HEIGHT (H)	TORQUE VALUE (IN./LBS.)	HEX SIZE	STD. CTN. QTY.
750 MCM - 1/0 AWG	8.850	2.500	2.000	550	5/16	1
750 MCM - 1/0 AWG	14.550	2.500	2.000	550	5/16	1



POLARIS™
Uninsulated Multi-Cable
Connectors
PL SERIES



FEATURES

- Connectors are made from 6061-T6 aluminum alloy and are plated for corrosion resistance.
- Stocked in one hole increments up to 14 holes
- Suitable for use on wire from #4 AWG to 750 MCM.

RATINGS



UL Listed 486B Wire Connector.

TEMPERATURE RATING/VOLTAGE:
 AL9CU. Rated 600V, 90 °C.

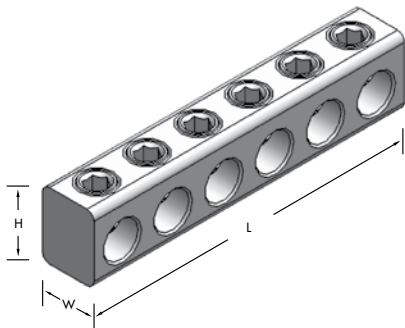
WIRE TYPE:
 Dual rated for use with copper and/or aluminum cables. Not recommended for fine-stranded, flexible wire.

All dimensional data is listed in inches.

CAT. NO.	NO. OF PORTS
PL4-2	2
PL4-3	3
PL4-4	4
PL4-5	5
PL4-6	6
PL4-8	8
PL4-10	10
PL4-14	14
PL1/O-2	2
PL1/O-3	3
PL1/O-4	4
PL1/O-5	5
PL1/O-6	6
PL1/O-7	7
PL1/O-8	8
PL1/O-10	10
PL1/O-14	14
PL3/O-3	3
PL3/O-4	4
PL3/O-5	5
PL3/O-6	6
PL3/O-7	7
PL3/O-8	8
PL3/O-9	9
PL3/O-10	10
PL3/O-12	12
PL3/O-14	14
PL250-2	2
PL250-3	3
PL250-4	4
PL250-5	5
PL250-6	6
PL250-7	7
PL250-8	8



WIRE RANGE	LENGTH (L)	WIDTH (W)	HEIGHT (H)	TORQUE VALUE (IN./LBS.)	HEX SIZE	STD. CTN. QTY.
4-14 AWG	0.880	0.500	0.630	45	Slotted	12
4-14 AWG	1.300	0.500	0.630	45	Slotted	12
4-14 AWG	1.730	0.500	0.630	45	Slotted	12
4-14 AWG	2.150	0.500	0.630	45	Slotted	6
4-14 AWG	2.570	0.500	0.630	45	Slotted	6
4-14 AWG	3.410	0.500	0.630	45	Slotted	6
4-14 AWG	4.260	0.500	0.630	45	Slotted	4
4-14 AWG	5.960	0.500	0.630	45	Slotted	2
1/0-14 AWG	1.350	0.630	0.880	180	3/16	12
1/0-14 AWG	2.000	0.630	0.880	180	3/16	12
1/0-14 AWG	2.650	0.630	0.880	180	3/16	12
1/0-14 AWG	3.300	0.630	0.880	180	3/16	6
1/0-14 AWG	3.950	0.630	0.880	180	3/16	6
1/0-14 AWG	4.610	0.630	0.880	180	3/16	6
1/0-14 AWG	5.250	0.630	0.880	180	3/16	6
1/0-14 AWG	6.550	0.630	0.880	180	3/16	4
1/0-14 AWG	9.150	0.630	0.880	180	3/16	2
3/0-6 AWG	2.380	0.690	0.940	250	1/4	6
3/0-6 AWG	3.160	0.690	0.940	250	1/4	6
3/0-6 AWG	3.940	0.690	0.940	250	1/4	6
3/0-6 AWG	4.720	0.690	0.940	250	1/4	6
3/0-6 AWG	5.490	0.690	0.940	250	1/4	6
3/0-6 AWG	6.280	0.690	0.940	250	1/4	6
3/0-6 AWG	7.050	0.690	0.940	250	1/4	4
3/0-6 AWG	7.840	0.690	0.940	250	1/4	4
3/0-6 AWG	9.400	0.690	0.940	250	1/4	3
3/0-6 AWG	10.960	0.690	0.940	250	1/4	2
250 MCM-6 AWG	1.820	0.880	1.130	360	5/16	6
250 MCM-6 AWG	2.680	0.880	1.130	360	5/16	6
250 MCM-6 AWG	3.550	0.880	1.130	360	5/16	6
250 MCM-6 AWG	4.410	0.880	1.130	360	5/16	6
250 MCM-6 AWG	5.270	0.880	1.130	360	5/16	6
250 MCM-6 AWG	6.140	0.880	1.130	360	5/16	6
250 MCM-6 AWG	6.990	0.880	1.130	360	5/16	6



POLARIS™
Uninsulated Multi-Cable
Connectors
PL SERIES CONT'D



FEATURES

- Connectors are made from 6061-T6 aluminum alloy and are plated for corrosion resistance.
- Stocked in one hole increments up to 14 holes
- Suitable for use on wire from #4 AWG to 750 MCM.

RATINGS



UL Listed 486B Wire Connector.

TEMPERATURE RATING/VOLTAGE:

AL9CU. Rated 600V, 90 °C.

WIRE TYPE:

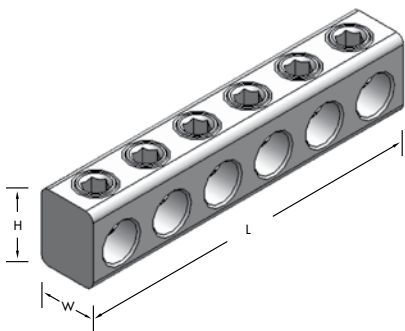
Dual rated for use with copper and/or aluminum cables. Not recommended for fine-stranded, flexible wire.

All dimensional data is listed in inches.

CAT. NO.	NO. OF PORTS
PL250-9	9
PL250-10	10
PL250-11	11
PL250-12	12
PL350-3	3
PL350-4	4
PL350-6	6
PL350-8	8
PL350-10	10
PL500-4	4
PL500-6	6
PL500-7	7
PL500-8	8
PL500-9	9
PL500-10	10
PL750-3	3
PL750-4	4
PL750-6	6
PL750-8	8



WIRE RANGE	LENGTH (L)	WIDTH (W)	HEIGHT (H)	TORQUE VALUE (IN./LBS.)	HEX SIZE	STD. CTN. QTY.
250 MCM-6 AWG	7.860	0.880	1.130	360 IN/LBS	5/16	4
250 MCM-6 AWG	8.720	0.880	1.130	360 IN/LBS	5/16	4
250 MCM-6 AWG	9.580	0.880	1.130	360 IN/LBS	5/16	3
250 MCM-6 AWG	10.450	0.880	1.130	360 IN/LBS	5/16	3
350 MCM-6 AWG	3.220	1.000	1.440	400 IN/LBS	5/16	6
350 MCM-6 AWG	4.270	1.000	1.440	400 IN/LBS	5/16	6
350 MCM-6 AWG	6.370	1.000	1.440	400 IN/LBS	5/16	6
350 MCM-6 AWG	8.470	1.000	1.440	400 IN/LBS	5/16	4
350 MCM-6 AWG	10.570	1.000	1.440	400 IN/LBS	5/16	2
500 MCM-4 AWG	4.860	1.130	1.630	450 IN/LBS	5/16	4
500 MCM-4 AWG	7.145	1.130	1.630	450 IN/LBS	5/16	3
500 MCM-4 AWG	8.280	1.130	1.630	450 IN/LBS	5/16	3
500 MCM-4 AWG	9.440	1.130	1.630	450 IN/LBS	5/16	3
500 MCM-4 AWG	10.570	1.130	1.630	450 IN/LBS	5/16	2
500 MCM-4 AWG	11.730	1.130	1.630	450 IN/LBS	5/16	2
750-250 MCM	4.570	1.440	2.000	550 IN/LBS	3/8	3
750-250 MCM	6.000	1.440	2.000	550 IN/LBS	3/8	3
750-250 MCM	8.850	1.440	2.000	550 IN/LBS	3/8	2
750-250 MCM	11.700	1.440	2.000	550 IN/LBS	3/8	1



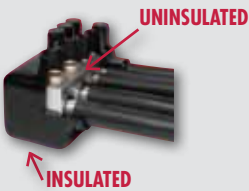
Custom Designed Insulated Connector Blocks

Let us custom engineer and fabricate a UL Listed insulated block system for your next project. Each connector is made with exact hole size and number for the cable runs being used. You may choose to order a customized version of our IPL Series or add one or more of the options listed below.

The combinations we can create and produce are almost unlimited. Connector size can be up to 22" long also available without insulation. We custom design and machine your connector from your specifications and our engineering and production data.

BUILD THE CATALOG NUMBER

Create a custom catalog number, follow the checklist and build your catalog number as you go. Call our sales staff at 800-321-5847 with any questions.

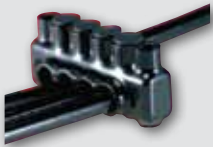


**Insulated/
Uninsulated**

Blocks are covered with a unique plastisol insulation but you are able to have uninsulated.

**INSULATED
BLOCK USE
"I"**

**UNINSULATED
BLOCK USE
"U"**



Mounting

Mounting holes are provided in each end of the connector block and are isolated from the block with insulated sleeves.

**YES
ADD
"M"**

**NO
LEAVE BLANK**

WIRE RANGE	LETTER DESIGNATION
4-14	A
1/0-14	B
3/0-6	C
250-6	D
350-6	E
500-4	F
600	J
750-250	G
1000-500	H

**Ports /
Wire Size**

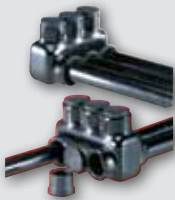
Ports: How many ports will you need? ____ (space for #1)
Wire Size: Choose the letter indicating your wire size from the chart to the left: ____

Single Wire Size:

A. 4 ports 500-4MCM = 4F
Add to the part number: 4F

Multiple:

A. 4 ports 500-4MCM = 4F
B. 6 ports 1/0-14 = 6B
C. 2 ports 2250MCM = 2D
Add to the part number: 4F6B2D



**Same/
Opposite Side**

Cable can enter either side of the connector block, based on your requirements. This eliminates having to bend the secondary cable around the connector.

**YES
ADD
"O"**

**NO
LEAVE BLANK**



Stacked

Wire entry holes on top of the other, allowing the block to be shorter, in length and is ideal for use in small wireways or panels.

**YES
ADD
"S"**

**NO
LEAVE BLANK**



HOW TO BUILD A CUSTOM POLARIS™ CONNECTOR

TORQUE CHART (IN./LBS.)

WIRE SIZE	CONNECTOR SIZE								
	1000	750	600	500	350	250	3/0	1/0	#4
800-1000	550								
750-600	550	550	550						
500	450	550	450	450					
400		550	425	425					
350		550	400	400	400				
250		550	360	360	360	360			
4/0		550	250	250	250	250			
3/0		550	250	250	250	250	250		
2/0		550	180	180	180	180	180		
1/0		550	180	180	180	180	180	180	
#3-#1			150	150	150	150	150	150	
#4-#6			110	110	110	110	110	110	45
#8								75	40
#10-#14								35	35

STRIP CHART FOR STANDARD CONNECTORS

CONNECTOR SIZE	STRIP LENGTH	BOLT DIA. FOR MOUNTING
750 H	3.250	5/16
ISRH 750	2.312	5/16
750 MCM	2.000	5/16
600 MCM	1.625	5/16
500 MCM	1.625	5/16
350 MCM	1.375	5/16
250 MCM	1.250	5/16
ISR 250	1.125	5/16
3/0 AWG	1.000	1/4
1/0 AWG	0.875	1/4
4 AWG	0.689	3/16

ACCESSORIES

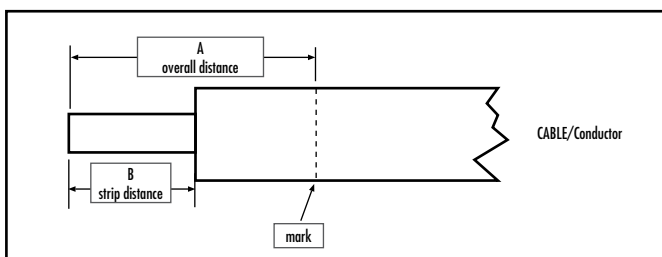
CATALOG NO.	UPC CODE	DESCRIPTION	CONNECTION SIZE	STD. CNT. QTY.
SP-4	95201	Set-screw covers	4 AWG	15
SP-1/0	95202	Set-screw covers	1/0 AWG	15
SP-3/0	95203	Set-screw covers	3/0 AWG	15
SP-250	95204	Set-screw covers	250 MCM	12
SP-350	95205	Set-screw covers	350 MCM	10
SP-500	95206	Set-screw covers	500 MCM	8
SP-600	78940	Set-screw covers	600 MCM	6
SP-750	95207	Set-screw covers	750 MCM	6
CP-3/0	95210	Cable port plugs	3/0 AWG	15
CP-250	95211	Cable port plugs	250 MCM	10
CP-350	95212	Cable port plugs	350 MCM	8
CP-500	95213	Cable port plugs	500 MCM	6
CP-600	78943	Cable port plugs	600 MCM	4
CP-750	95214	Cable port plugs	750 MCM	4



POLARIS BLUE™ SUBMERSIBLE & DIRECT BURIAL CONNECTORS

1. Refer to the installation chart on the other side for; overall distances, strip lengths, and tightening torque values.
 2. Conductor must have insulation acceptable for direct burial.
 3. Wipe off any foreign material (dirt, water, oil, etc.) on insulation of conductor to be spliced.
 4. Mark the conductor insulation with the proper overall distance for the connector model number being used.
 5. Mark the conductor insulation with the proper strip length for the connector model number being used.
 6. Remove the conductor insulation up to the marked strip length, be sure not to “score” or “nick” the conductor.
 7. Using the oxide inhibitor provided, lubricate the conductor insulation by lightly coating the exposed conductor and insulation up to the marked overall distance.
- NOTE: Step 7 is optional, but will make installation quick and easy. ——
8. Back off pressure screws enough to allow the stripped conductor to enter the connector block.
 9. Insert the conductor into the connector, slide the connector over the conductor until the end of the connector insulation is within 1/8” of the overall mark on the conductor insulation.
 10. Tighten the pressure screws to the proper torque value for the connector model number being used.
 11. Insert the caps to cover the pressure screws. Press caps firmly into place.
 12. Do not alter the connector to the connector insulation in any manner!
 13. Use only the pre-installed oxide inhibitor.
 14. Caps are not a sealing mechanism in the wire entry ports, all wire entry ports must have a properly sized conductor installed.

PART NO.	WIRE RANGE	(A)OVERALL DISTANCE (IN.)	(B)STRIP LENGTH (IN.)	TIGHTENING TORQUE (IN./LBS.)
ITW 250	250mcm- 4/0 AWG	3 9/16	1 1/8	360
IPLW 250-	250mcm- 4/0 AWG	3 9/16	1 1/8	360
ISW 250	250mcm- 4/0 AWG	3 9/16	1 1/8	360
ITW 3/0-	3/0 AWG-2/0 AWG-1/0 AWG	3 5/16	15/16	250
IPLW 3/0-	3/0 AWG-2/0 AWG-1/0 AWG	3 5/16	15/16	250
ISW 3/0	3/0 AWG-2/0 AWG-1/0 AWG	3 5/16	15/16	250
ITW 1	#1 AWG - #2 AWG	3 1/4	15/16	150
IPLW 1-	#1 AWG - #2 AWG	3 1/4	15/16	150
ISW 1	#1 AWG - #2 AWG	3 1/4	15/16	150
ITW 4	#4 AWG - #6 AWG	3	3/4	45
IPLW 4-	#4 AWG - #6 AWG	3	3/4	45
ISW 4	#4 AWG - #6 AWG	3 1/16	13/16	45

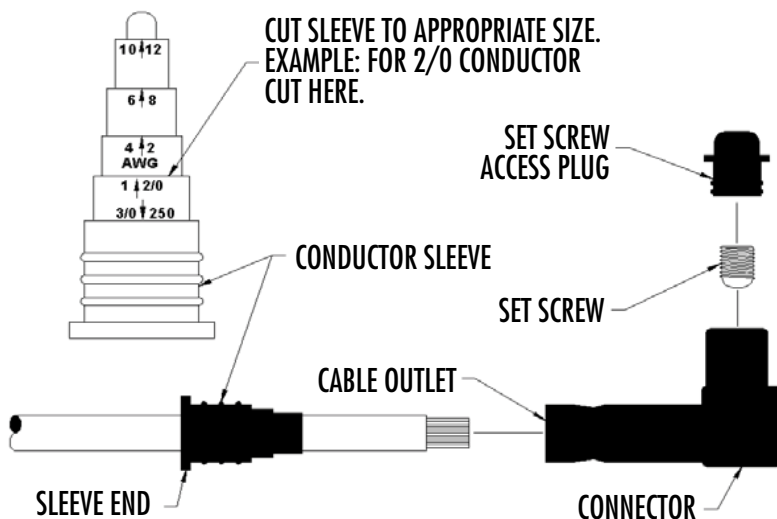


The UL Listing is for stranded wire only, AL-CU 600V maximum.
 The connector and insulation are rated for 90° C.
 The connectors are intended for Submersible/Direct Burial/Below Grade Applications



POLARIS™ ISPB & ISPC SUBMERSIBLE PEDESTAL CONNECTORS

1. Remove cable insulation 1-1/8" from end of conductor (insulation strip length imprinted on conductor port).
2. Wire brush bare conductor.
3. Remove conductor sleeve from connector.
4. Select and cutoff the correct step end at tip of arrow on the sleeve. Make sure to cut sleeve straight across the end of step. Discard sleeve for 300 and 350 MCM.
5. Reinsert the conductor sleeve (rocket) if required.
6. Remove set-screw access plug and loosen set-screw to allow cable insertion.
7. Insert conductor into the cable outlet or rocket until conductor hits the back of the connector and tighten set-screw to the recommended torque (Table 1).
8. Replace set-screw access plug.



CONDUCTOR RANGE	INCH-POUNDS
#12 - #6	135
#4 - 3/0	210
4/0 - 350	360

POLARIS GREY™ Installation Instructions

Wire insulation must be stripped in accordance with the Standard Connector Strip Length Chart below. The wire insulation on a properly installed connector must be inside the conductor port no less than 3/8 inch. Pressure screws MUST be secured at the torque value given on the Torque Charts corresponding to the connector, wire size and

classification shown on the reverse side. The UL listing is for stranded wire only, CU 600 Volts maximum for building wiring and 1000 volts maximum for signs or luminaries. The connector and insulation temperature rating is 90°C.

STRIP LENGTH CHART	
CONNECTOR SIZE	STRIP LENGTH (IN)
3/0	1
#1	7/8
#6	11/16

TORQUE CHART FOR POLARIS GREY™ CONNECTORS IN INCH POUNDS

BUILDING WIRE CLASS B, C, D WIRE SIZE AWG												
CONNECTOR	3/0	2/0	1/0	#1	#2	#3	#4	#6	#8	#10	#12	#14
3/0	250	180	180	120	120	120	110					
#1				150	150	150	110	110	75	45		
#6								45	45	45	45	45

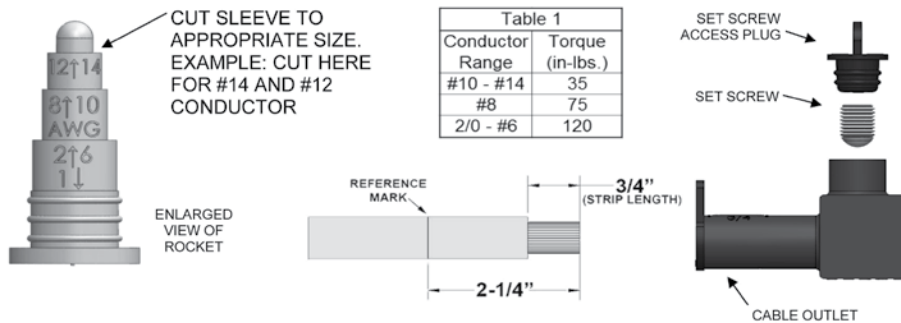
FLEXIBLE WIRE CLASS K, M, I WIRE SIZE AWG												
CONNECTOR	3/0	2/0	1/0	#1	#2	#3	#4	#6	#8	#10	#12	#14
3/0		180	180	120	120							
#1					150	150	110	110	75	45		
#6								45	45	45	45	45

POLARIS™ Installation Instructions ISPB



POLARIS™ ISPB

1. Conductor must have insulation acceptable for wet or damp locations.
2. Wipe off any foreign material (dirt, water, oil, etc.) on insulation of conductor to be spliced.
3. Mark the conductor insulation 3/4" and 2-1/4" from the end. Insulation strip length imprinted on connector.
4. Remove the conductor insulation up to the 3/4" strip length, be sure not to "score" or "nick" conductor (bare wire). Tip - For wire sizes #1 and larger bevel edge of insulation.
5. Wire brush bare conductor.
6. Remove conductor sleeve (rocket) from connector. Discard sleeve for 1/0-2/0 AWG (if discarded go to step 9).
7. Select and cutoff the step appropriate for size indicated on the sleeve. Make sure to cut sleeve straight across the end of the appropriate size step.
8. Reinsert the conductor sleeve (Rocket).
9. Remove set-screw access plug and loosen set-screw to allow conductor insertion.
10. For easier assembly lubricate the exterior of conductor insulation with the included dielectric silicone grease.
11. Insert conductor into the cable outlet or rocket until the 2-1/4" reference mark is even with end of cable outlet. The end of the conductor should hit back of connector.
12. Tighten the pressure screws to the recommended torque below. (Table 1)
13. Replace set-screw access plug.



CONDUCTOR RANGE	INCH-POUNDS
#10 - #14	35
#8	75
2/0-#6	120





SPLICING

EASY-SPLICE™

Wrap-Around Gel Splice Kits WAGS SERIES



FEATURES

- Wrap-around gel splice closure sleeves quickly insulate and seal buried electrical connections rated up to 1,000 volts.
- Engineered to handle direct burial and manhole applications, these splice enclosure sleeves are equally well suited for insulation and jacket repair.
- Simply wrap and snap the sleeve on any cable in the use range.
- The sealant gel in the sleeve seals on contact.
- The splice closure sleeve can be applied on all common compression connectors and low voltage cables, as well as in-line mechanical connectors.

RATINGS

APPLICATION:

Qualified to ANSI C119.1-1986 for underground splicing.

RATING:

Insulate and seal buried electrical connections rated up to 1,000 volts.

A minimum seal length is required on each side of the connector opening or jacket damage.

Use these guidelines for minimum seal distance:

WAGS-4/0 series: 1.50" each side

WAGS-500 series: 2.00" each side

WAGS-750 series: 3.00" each side

All dimensional data is listed in inches.

CAT. NO.	CONDUCTOR SIZE	GENERAL USE DIA. LENGTH	SLEEVE LENGTH	MAX. CONDUCTOR OPENING	STD. CTN. QTY.
WAGS-4/0-4	4/0-14 AWG	0.15-0.70 (4-18)	4.00 (100)	1.00 (25)	3
WAGS-4/0-6	4/0-14 AWG	0.15-0.70 (4-18)	6.00 (150)	3.00 (75)	3
WAGS-4/0-8	4/0-14 AWG	0.15-0.70 (4-18)	8.00 (200)	5.00 (125)	3
WAGS-4/0-10	4/0-14 AWG	0.15-0.70 (4-18)	10.00 (250)	7.00 (175)	3
WAGS-500-8	500 MCM-6 AWG	0.30-1.30 (10-33)	8.00 (200)	4.00 (100)	3
WAGS-500-10	500 MCM-6 AWG	0.30-1.30 (10-33)	10.00 (250)	6.00 (150)	3
WAGS-750-10	750-250 MCM	0.80-1.50 (20-38)	10.00 (250)	4.00 (100)	3
WAGS-750-14	750-250 MCM	0.80-1.50 (20-38)	14.00 (355)	4.00 (100)	3

EASY-SPLICE™
Wrap-Around
UF Splice Kit
ESUF SERIES



FEATURES

- Wrap-around UF splice kit provides a quick and convenient method of splicing underground feeder (UF) cable.
- Convenient wrap-around design and fast installation. No heating or waiting for compounds to cure.
- The unique sealing gel entirely encapsulates the splice, completely sealing out moisture and other contaminants.
- Kit includes connector and closure.

RATINGS

RATING:
 The splice kit is rated for 600V applications.

All dimensional data is listed in inches.

CAT. NO.	WIRE RANGE	LENGTH (L)	STD. CTN. QTY.
ESUF	14/2 To 8/3 with ground	8.000	3

EASY-SPLICE™

In-Line Gel Splice Kit With Connector

ESGS SERIES



FEATURES

- In-line gel splice kit provides a sealed splice for underground, buried and overhead applications.
- Closure offers a fast and simple method for splicing, insulating and environmentally sealing low voltage cable splices.
- Simply install the connector on a copper or aluminum cable, place it in the closure, and snap closed.
- The splice kit is watertight for use in all locations.
- Sealing and corrosion protection provided by sealant gel.

RATINGS

TEMPERATURE RATING:

-40 °C to 90 °C (-40 °F to 194 °F), 1000V.

APPLICATION:

Qualified to ANSI C119.1-1986 for underground splicing. Insulate and seal buried electrical connections rated up to 1,000 volts.

All dimensional data is listed in inches.

CAT. NO.	WIRE RANGE	LENGTH (L)	WIDTH (W)	HEIGHT (H)	STD. CTN. QTY.
ESGS-4/0	#2 – 4/0 AWG	4.229	1.973	1.097	3

EASY-SPLICE™

Gel Tap Splice Kit With Connector

ESGTS SERIES



FEATURES

- Fast and simple method for connecting, insulating, and environmentally sealing low-voltage splices.
- Designed for underground and overhead environments and is useful for street lighting applications.
- The kit's dual-rated mechanical connector splices a wide range of cables, including copper and aluminum.
- Four port design allows maximum inventory flexibility.
- Sealant gel protects the connection from moisture ingress, corrosion and pollution.
- Hinged splice closure can be installed over the connector in seconds by simply snapping the cover shut.

RATINGS

TEMPERATURE RATING:

-40 °C to 90 °C (-40 °F to 194 °F), 1000V.

APPLICATION:

Qualified to ANSI C119.1-1986 for underground splicing. Insulate and seal buried electrical connections rated up to 1,000 volts.

All dimensional data is listed in inches.

CAT. NO.	WIRE RANGE	LENGTH (L)	WIDTH (W)	HEIGHT (H)	STD. CTN. QTY.
ESGTS-2	#14 – #2 AWG	2.750	1.625	1.063	3
ESGTS-2/0	#14 – 2/0 AWG	4.250	2.000	1.188	3

EASY-SPLICE™

Gel Stub Splice Kit With Connector

ESSLK SERIES



FEATURES

- Perfect for street light connections.
- Accepts wires from #14 to 2/0 AWG (feeder cable). Use the single port that accepts #14 to #6 AWG to power the light.
- Specially formulated material provides excellent abrasion resistance, insulation value and UV resistance.
- The cap is clear to allow visual inspection of connector positioning during installation and connector performance during service life.
- Corrosion protection is provided by the sealant gel.

RATINGS



TEMPERATURE RATING:
-40 °C to 90 °C.

APPLICATION:
Gel stub splice kit insulates, seals and protects stub splice connections up to 1,000 volts.

INSTALLATION:
To install, simply push the cover down over the connection and snap the clamp closed.

Kit includes a UL listed connector for use with copper and/or aluminum conductors, a gel filled cap and a cap clamp.

All dimensional data is listed in inches.

CAT. NO	WIRE RANGE		LENGTH (L)	WIDTH (W)	HEIGHT (H)	TORQUE VALUE		STD. CTN. QTY.
	HOLE A	HOLE B				HOLE A	HOLE B	
ESSLK-2/O	14-2/0 AWG	6-14 AWG	2.760	1.660	1.185	120-180IN/ Lbs	120-150IN/ Lbs	3

TESTING	TEST CONDITIONS
Chemical Resistance	Astm D543, Sulfuric Acid, Sodium Hydroxide, Transformer And Motor Oil
Ozone Resistance	Astm D1149, 120 Hours @ 40°C, 50Pphm
Accelerated Aging	Astm D2671
Uv Resistance	Astm G154, Uvb, 4,000 Hours On/Off Cycle
Abrasion Resistance	2040 Gm Wt., 4,000 Cycles, 5% Max Thickness Loss

EASY-SPLICE™

H-Tap Gel Splice Covers With Connector

ESGHS SERIES



FEATURES

- Low-voltage H-frame closure insulates and seals low-voltage cable-taps and splices made with H-frame compression connectors.
- The closure utilizes sealing gel material to seal and protect the connection from moisture ingress, corrosion and pollution.
- H tap gel splice covers do not include connector.

RATINGS

TEMPERATURE RATING:

-40 °C to 90 °C.

1000V, UV resistant.

Qualified to ANSI C119.1-1986 for underground splicing.

APPLICATION:

The low-voltage H-frame closure is ideal for both underground and overhead applications and is especially useful for street lighting applications.

INSTALLATION:

To install, simply place the connection on the closure and press the closure together.

All dimensional data is listed in inches.

CAT. NO.	WIRE RANGE		LENGTH (L)	WIDTH (W)	HEIGHT (H)	STD. CTN. QTY.
	MAIN	TAP				
ESGHS-BG	6-2 AWG	14-8 AWG	2.700	1.583	1.055	3
ESGHS-O	2-2/0 AWG	14-6 AWG	4.230	1.988	1.083	3
ESGHS-N	350 MCM	4/0 AWG	6.000	3.240	2.110	3

ESGHS-O APPROVED CONNECTORS

Blackburn WR139	Burndy YHO-1	Homac OB22	NSi WRD139	T&B 63110
Blackburn WR159	Burndy YHO-2	Homac OB44	NSi WRD159	UTILCO HT1
Blackburn WR179	Burndy YHO 100	Homac OB102	NSi WRD179	UTILCO HT2
Blackburn WR199	Burndy YHO 125	Homac OB103	NSi WRD199	
	Burndy YHO 150			

ESGHS-BG APPROVED CONNECTORS

Blackburn WR9	NSi WR9
Burndy YPC2A8U	T&B 63105
Homac UB214	

EASY-SPLICE™

Push-On Gel Stub Splice Kits

GSS SERIES



FEATURES

- Quickly and conveniently insulate, seal, and protect stub splice connections up to 1,000 volts.
- Specially formulated material provides excellent abrasion resistance, insulation value, and UV resistance.
- Each cap size is designed to fit a wide range of cable sizes, the expandable design keeps the cap as small as possible allowing it to expand only as much as needed to fit.
- The GSS-10 kit is designed for three phases in one kit.
- It includes one gel filled cap, one cap clamp, and one phase separator.
- The remaining kits include three of each – one per phase.

RATINGS



TEMPERATURE RATING:
105 °C.

APPLICATION:

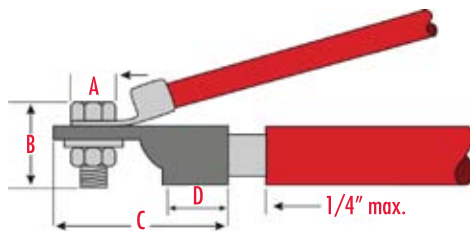
Insulate, seal, and protect stub splice connections up to 1,000 volts. The robust yet compact design is engineered to handle the harsh environment of motor and many other connection applications (including street lights).

INSTALLATION:

GSS connector kits provide the fastest installation. Simply slide the cover down over the connection and snap the clamp closed. Sealant gel is already in the cap.

All dimensional data is listed in inches.

CAT. NO.	WIRE RANGE	MAX. BOLT DIMENSION WIDTH (A)	MAX. BOLT DIMENSION LENGTH (B)	MAX. LUG DIMENSION TOTAL LENGTH (C)	MAX. LUG DIMENSION BARREL LENGTH (D)	STD. CTN. QTY.
GSS-10	16-10 AWG	0.375	0.500	1.000	0.500	5
GSS-2	8-2 AWG	0.625	1.000	2.000	1.000	5
GSS-4/0	2-4/0 AWG	0.850	1.300	3.000	1.500	5
GSS-500	250-500 MCM	1.100	1.850	5.000	2.000	5



EASY-SPLICE™

Direct Burial Roll-On Splice Sleeve

ROS SERIES



FEATURES

- Easy "roll-on" way to insulate and seal cable connections up to 1,000 volts.
- The gripping force of the EPDM elastomer combines with high performance sealant to form a water resistant, UV resistant insulating sleeve appropriate for direct burial application over in-line compression connectors.
- Ideal for use where gas or electric heating devices are not approved.
- RUS accepted for use as a secondary tap or splice cover.
- Each kit includes one Easy-Splice™ sleeve and sealant strips.

RATINGS



RATING:

Qualified to ANSI C119.1-1986. CSA certified to C22.2 No. 198.2. UL 486D listed, suitable for direct burial.

APPLICATION:

For use on standard poly or elastomeric-insulated cables. Insulates and seals in-line compression connectors or terminal lugs. Cable can be energized immediately.

All dimensional data is listed in inches.

CAT. NO.	WIRE RANGE	CABLE O.D.	SLEEVE LENGTH	MAX. CONNECTOR LENGTH	STD. CTN. QTY.
ROS-2/0	8-2/0 AWG	0.22-0.68	8.00	5.00	5
ROS-250	1/0 AWG-250 MCM	0.50-0.90	9.50	4.50	5
ROS-600	250-600 MCM	0.70-1.20	12.00	7.00	5



EASY-SPLICE™

Direct Burial Splice Kit With Rubber Cover

RSK SERIES



FEATURES

- Dual-rated for use with copper and aluminum cable, these kits consist of an in-line mechanical set-screw connector pre-filled with oxide inhibitor and an EPDM rubber insulating cover to ensure a watertight seal.

RATINGS



RATING:
600V.

APPLICATION:

street lights, motor connection, irrigation systems, HVAC, outdoor lighting, and over wire nuts for a secure seal.

All dimensional data is listed in inches.

CAT. NO.	WIRE RANGE	CONNECTOR LENGTH	STD. CTN. QTY.
RSK-2/0	#14 – 2/0 AWG	1.880	12
RSK-350	#6 AWG – 350 MCM	3.000	6
RSK-500	2/0 AWG – 500 MCM	3.190	6
RSK-750	250 MCM – 750 MCM	6.250	3

EASY-SPLICE™

Self Sealing UF Splice Kit and Hot Melt Sealant Sleeves

SKSS & HMSS Series



SELF SEALING UF SPLICE KIT

- Fully waterproof, submersible and re-enterable splice, through the use of uniquely designed interference fit covers.
- Kit comes complete with a connector, silicone and cover. AWG UF cable.

All dimensional data is listed in inches.

NO. OF CONDUCTORS	CAT. NO.	WIRE RANGE	CONNECTOR LENGTH	STD. CTN. QTY.
2	SKSS-2	14/2-10/2	9.500	12
3	SKSS-3	14/3-10/3	9.500	12

HOT MELT SEALANT SLEEVES

- Used to provide a cable block in multi-conductor cables.



RATINGS

INSTALLATION:

Use a minimum of one sleeve for every two cable conductors. Install HWHS or CRS product over HMSS sealant sleeves to melt sealant sleeves and provide cable block.

All dimensional data is listed in inches.

CAT. NO.	LENGTH	INSIDE DIA.	NO. OF SLEEVES/CONDUCTOR	STD. CTN. QTY.
HMSS-4-40	1.75	0.160	#24 – #20 AWG: Use 1 Sleeve/ 2 Conductors	100
	1.75	0.160	#14 – #12 AWG: Use 1 Sleeve/ Conductor	100

**Direct Burial/
Submersible Splice Kits
With Heat Shrink**
SK SERIES



FEATURES

1. COPPER BUTT SPLICE KITS

Mechanical copper butt splice and a heavy wall heat shrink tubing to create a fully insulated splice for copper conductors only.

3. UF CABLE SPLICE KIT

For simplified splicing of UF cable designed with heavy wall heat shrink with sealant. This kit will accommodate 14/3 through 8/3 with ground UF cable and create a direct burial splice. Contains one four-position connector.

2. DUAL RATED BUTT SPLICE KITS

Mechanical dual rated splice and matched heavy wall heat shrink tubing to create an insulated splice for copper and/or aluminum cables.

4. UF STRETCHER KIT

Eliminates the need for using two connectors and a short piece of cable when repairing damaged UF cable. Includes one 11.5" connector that will accommodate 14/3 without GRD minimum and 8/3 with GRD maximum. 600 Volt, 105°C. Utilizes heavy wall shrink with sealant for a quick and reliable repair.

RATINGS



TEMPERATURE RATING:

105 °C.
600V Max.



All dimensional data is listed in inches.

CAT. NO.	FIG. NO.	RANGE	STD. CTN. QTY.
SKCB-8	1	#14 to #8 AWG	24
SKCB-2	1	#8 to #2 AWG	24
SKAB-2	2	#8 to #2 AWG	24
SKAB-0	2	#6 to 1/0 AWG	24
SKAB-250	2	1/0 AWG to 250 MCM	12
SKDB	3	14/3 to 8/3	24
SKUF	4	14/3 to 8/3	12

EASY-SPLICE™
Heat Shrinkable
End Caps
HSC SERIES



FEATURES

- These caps replace greases, tapes, epoxy, encapsulation, or dips. In most sizes, installation may be accomplished in less than one minute.
- Heat-shrinkable end caps provide for efficient and positive cable end sealing.
- Made of thermally stabilized polyolefin, the interior of the HSC is coated with a meltable sealant to assure a watertight seal, complete insulation, abrasion and corrosion resistance.
- Seals may be affected over lead, steel, aluminum, copper and all standard plastic and elastomeric insulating materials and conduit.
- HSC end sealing caps can be used as a live seal for cables carrying up to 1,000V.
- They can also be used as end seals for storing and pulling de-energized cable.

RATINGS

HSC end sealing caps are qualified to ANSI C119.1-1986 and rated to ICEA electrical withstand test for 1,000 volts.

All dimensional data is listed in inches.

CAT. NO.	CONDUCTOR SIZE	GENERAL USE RANGE		STD. CTN. QTY.
		MAX.	MIN.	
HSC-70	6-3/0 AWG	0.700	0.300	10
HSC-125	4/0 AWG-750 MCM	1.250	0.650	10
HSC-195	750-1500 MCM	1.950	1.050	10
HSC-450	—	4.500	2.950	2

EASY-SPLICE™

Heavy Wall Heat Shrink For Direct Burial And Submersible HWHS SERIES



FEATURES

- Made of specially formulated polyolefin irradiated and thermally stabilized to give the material "elastic memory."
- When a proper amount of heat is directly applied to the shrink sleeve, it will permanently shrink to its original unexpanded diameter tightly cover and "mold" itself into irregular shapes
- The interior of the sleeve is coated with an adhesive that assures a watertight seal after shrinking
- For use on standard poly- or elastomeric-insulated/jacketed cables or lead-jacketed cables, which may include aluminum or steel armoring.
- RUS accepted for use as a secondary tap or splice cover. May be used for jacket repair on cables up to 35 kV
- Heavy wall heat shrink is also available without sealant. Medium wall heat shrink and flame retardant heavy wall heat shrink also available, with or without sealant (not UL Listed)

RATINGS



UL 486D Listed
CSA C22.2

TEMPERATURE RATING:
121-135 °C, 1000V.

APPLICATION:
Qualified to ANSI C119.1-1986 for underground splicing. Insulate and seal buried electrical connections rated up to 1,000 volts.

CONNECTORS UP TO 6 INCHES:
Recommended cut length = Connector length + 4 inches.

CONNECTORS OVER 6 INCHES:
Recommended cut length = Connector length + 5 inches.

All dimensional data is listed in inches.

CAT. NO.	SEALABLE WIRE RANGE
HWHS14-6-6	14-6 AWG
HWHS14-6-12	14-6 AWG
HWHS14-6-48	14-6 AWG
HWHS8-2-6	8-2 AWG
HWHS8-2-12	8-2 AWG
HWHS8-2-48	8-2 AWG
HWHS6-40-4	6-4/0 AWG
HWHS6-40-6	6-4/0 AWG
HWHS6-40-9	6-4/0 AWG
HWHS6-40-12	6-4/0 AWG
HWHS6-40-48	6-4/0 AWG
HWHS2-500-4	2 AWG - 500 MCM
HWHS2-500-6	2 AWG - 500 MCM
HWHS2-500-8	2 AWG - 500 MCM
HWHS2-500-9	2 AWG - 500 MCM
HWHS2-500-12	2 AWG - 500 MCM
HWHS2-500-48	2 AWG - 500 MCM
HWHS20-750-6	2/0 AWG - 750 MCM
HWHS20-750-9	2/0 AWG - 750 MCM
HWHS20-750-12	2/0 AWG - 750 MCM
HWHS20-750-48	2/0 AWG - 750 MCM
HWHS250-1000-6	250-1000 MCM
HWHS250-1000-9	250-1000 MCM
HWHS250-1000-12	250-1000 MCM
HWHS250-1000-48	250-1000 MCM
HWHS500-1500-9	500-1500 MCM
HWHS500-1500-12	500-1500 MCM
HWHS500-1500-48	500-1500 MCM
HWHS800-2000-12	800-2000 MCM
HWHS800-2000-48	800-2000 MCM
HWHS1500-2500-12	1500-2500 MCM
HWHS1500-2500-48	1500-2500 MCM

SPLICING



LENGTH	GENERAL USE RANGE		MAX. CONNECTOR O.D.	MIN. SEAL LENGTH PER SIDE	STD. PKG. QTY.
	RECOVERED	EXPANDED			
6	0.130	0.390	0.290	1.500	3
12	0.130	0.390	0.290	1.500	3
48	0.130	0.390	0.290	1.500	3
6	0.170	0.550	0.410	2.000	3
12	0.170	0.550	0.410	2.000	3
48	0.170	0.550	0.410	2.000	3
4	0.250	0.860	0.690	2.000	3
6	0.250	0.860	0.690	2.000	3
9	0.250	0.860	0.690	2.000	3
12	0.250	0.860	0.690	2.000	3
48	0.250	0.860	0.690	2.000	3
4	0.350	1.220	1.060	2.000	3
6	0.350	1.220	1.060	2.000	3
8	0.350	1.220	1.060	2.000	3
9	0.350	1.220	1.060	2.000	3
12	0.350	1.220	1.060	2.000	3
48	0.350	1.220	1.060	2.000	3
6	0.510	1.730	1.300	2.000	3
9	0.510	1.730	1.300	2.000	3
12	0.510	1.730	1.300	2.000	3
48	0.510	1.730	1.300	2.000	3
6	0.700	1.960	1.500	2.000	3
9	0.700	1.960	1.500	2.000	3
12	0.700	1.960	1.500	2.000	3
48	0.700	1.960	1.500	2.000	3
9	0.860	2.480	1.840	2.500	3
12	0.860	2.480	1.840	2.500	3
48	0.860	2.480	1.840	2.500	3
12	1.290	3.930	-	2.500	3
48	1.290	3.930	-	2.500	3
12	1.490	4.640	-	2.500	3
48	1.490	4.640	-	2.500	3

EASY-SPLICE™
Thin-Wall Heat
Shrink Kits
THK SERIES



FEATURES

- Kits have been carefully constructed to include the most common sizes and types in their category.
- Cases are made of extremely durable polypropylene and have heat sealed hinges.
- Kits provide the ultimate in organization and convenience.
- Clearly labeled on the inside lid for easy recognition.
- Convenient size for easy carrying and easy storing.

All dimensional data is listed in inches.

KIT CAT. NO.	KIT CONTENTS		LENGTHS	STD. CTN. QTY.
	CAT. NO.	QTY.		
THK	TWHS-125-6	25	6	1
	TWHS-187-6	25		1
	TWHS-250-6	20		1
	TWHS-375-6	12		1
	TWHS-500-6	7		1
	TWHS-750-6	5		1

EASY-SPLICE™
Heavy Wall Heat
Shrink Kits
HHK SERIES



FEATURES

- Kits have been carefully constructed to include the four most common sizes of heavy wall heat shrink 6" lengths.
- Sealant included.

RATINGS



All dimensional data is listed in inches.

KIT CAT. NO.	CAT. NO.	SEALABLE WIRE RANGE	LENGTH	GENERAL USE RANGE		MAX. CONNECTOR O.D.	MIN. SEAL LENGTH PER SIDE	STD. CTN. QTY.
				RECOVERED	EXPANDED			
HHK	HWHS 8-2-6	8-2 AWG	6	0.170	0.550	0.410	2.000	9
	HWHS 6-40-6	6-4/0 AWG	6	0.250	0.860	0.690	2.000	3
	HWHS 2-500-6	2 AWG - 500 MCM	6	0.350	1.220	1.060	2.000	3
	HWHS 20-750-6	2/0 AWG - 750 MCM	6	0.510	1.730	1.300	2.000	3

EASY-SPLICE™

Thin-Wall Tubing

TWHS SERIES

FEATURES

- Flexible flame-retardant, thin wall, general purpose heat-shrinkable polyolefin tubing has a 2:1 shrink ratio.
- Used for electrical insulation, wire harness bundling, wire jacket marking and color coding, it also splices and makes functional terminations.
- Standard packaging is either 6" lengths in blister boxes, or in economical 25' spools. Available in black.
- Black, white and colored thin wall tubing meet MIL-DTL-23053/5, Class 1.
- Clear meets MIL-DTL-23053/5, Class 2 and is not flame retardant.

RATINGS



TEMPERATURE RATING:

125 °C.

600V Max.

CAT.
NO.

TWHS-046-6

TWHS-046-48

TWHS-063-6

TWHS-063-48

TWHS-063-25B

TWHS-093-6

TWHS-093-48

TWHS-093-25B

TWHS-125-6

TWHS-125-48

TWHS-125-25B

TWHS-187-6

TWHS-187-48

TWHS-187-25B

TWHS-187

TWHS-250-6

TWHS-250-48

TWHS-250-25B

TWHS-250



EXPANDED I.D.	RECOVERED I.D.	NOMIINAL RECOVERED WALL THICKNESS	LENGTH (IN/FT)	STD. PKG. QTY.
0.046	0.230	0.016	6"	15
0.046	0.230	0.016	48"	1
0.063	0.031	0.017	6"	15
0.063	0.031	0.017	48"	1
0.063	0.031	0.017	25' Spool	1
0.093	0.046	0.020	6"	15
0.093	0.046	0.020	48"	1
0.093	0.046	0.020	25' Spool	1
0.125	0.062	0.020	6"	15
0.125	0.062	0.020	48"	1
0.125	0.062	0.020	25' Spool	1
0.187	0.093	0.020	6"	12
0.187	0.093	0.020	48"	1
0.187	0.093	0.020	25' Spool	1
0.187	0.093	0.020	1,000' Spool	1
0.250	0.125	0.025	6"	10
0.250	0.125	0.025	48"	1
0.250	0.125	0.025	25' Spool	1
0.250	0.125	0.025	500' Spool	1

EASY-SPLICE™

Thin-Wall Tubing

TWHS SERIES CONT'D

FEATURES

- Flexible flame-retardant, thin wall, general purpose heat-shrinkable polyolefin tubing has a 2:1 shrink ratio.
- Used for electrical insulation, wire harness bundling, wire jacket marking and color coding, it also splices and makes functional terminations.
- Standard packaging is either 6" lengths in blister boxes, or in economical 25' spools. Available in black.
- Black, white and thin wall tubing meet MIL-DTL-23053/5, Class 1.
- Clear meets MIL-DTL-23053/5, Class 2 and is not flame retardant.

RATINGS



TEMPERATURE RATING:

125 °C.

600V Max.

CAT.
NO.

TWHS-312-6

TWHS-312-48

TWHS-312

TWHS-375-6

TWHS-375-48

TWHS-375-25B

TWHS-375

TWHS-500-6

TWHS-500-48

TWHS-500-25B

TWHS-500

TWHS-750-6

TWHS-750-48

TWHS-750-25B

TWHS-750-25W

TWHS-750

TWHS-1000-6

TWHS-1000-48

TWHS-1000-25B

TWHS-1000

TWHS-1500-48

TWHS-1500-25B

TWHS-2000-48

TWHS-2000-25B



EXPANDED I.D.	RECOVERED I.D.	NOMIINAL RECOVERED WALL THICKNESS	LENGTH (IN/FT)	STD. CTN. QTY.
0.312	0.156	0.025	6"	10
0.312	0.156	0.025	48"	1
0.312	0.156	0.025	200' Spool	1
0.375	0.187	0.025	6"	9
0.375	0.187	0.025	48"	1
0.375	0.187	0.025	25' Spool	1
0.375	0.187	0.025	200' Spool	1
0.500	0.250	0.025	6"	8
0.500	0.250	0.025	48"	1
0.500	0.250	0.025	25' Spool	1
0.500	0.250	0.025	200' Spool	1
0.750	0.375	0.030	6'	6
0.750	0.375	0.030	48'	1
0.750	0.375	0.030	25' Spool	1
0.750	0.375	0.030	25' Spool	1
0.750	0.375	0.030	100' Spool	1
1.000	0.500	0.035	6"	4
1.000	0.500	0.035	48"	1
1.000	0.500	0.035	25' Spool	1
1.000	0.500	0.035	100' Spool	1
1.500	0.750	0.040	48"	1
1.500	0.750	0.040	25' Spool	1
2.000	1.000	0.045	48"	1
2.000	1.000	0.045	25' Spool	1





GROUNDING

GROUND CLAMPS
Heavy Duty Direct Burial
with Lay-in Lugs
GLC SERIES



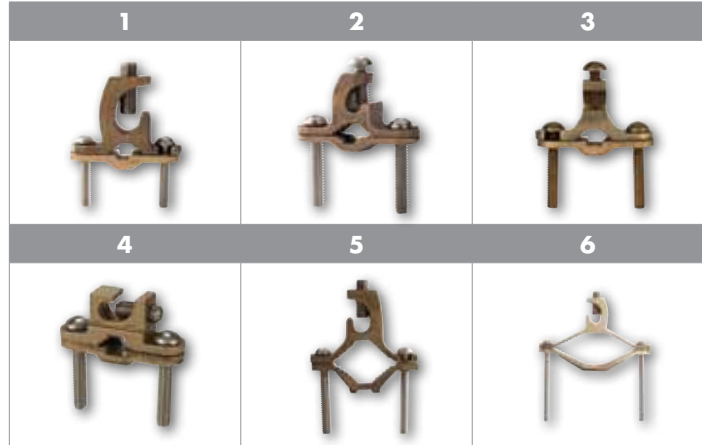
HEAVY DUTY DIRECT BURIAL W/LAY-IN



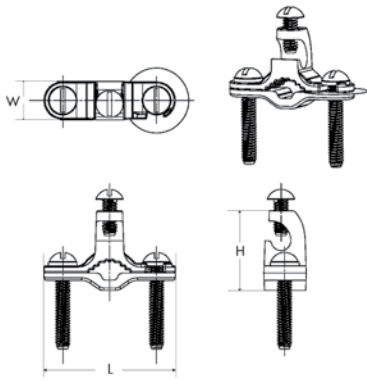
- The ultimate ground clamp for large ground wires.
- This incredible ground clamp can handle just about any size ground wire and just about any application.
- Lay-in feature provides for the ultimate in flexibility.
- Convenient and pre-assembled screws are 304 stainless steel.
- Available with silicon bronze screws by adding suffix -SB.

APPLICATION:

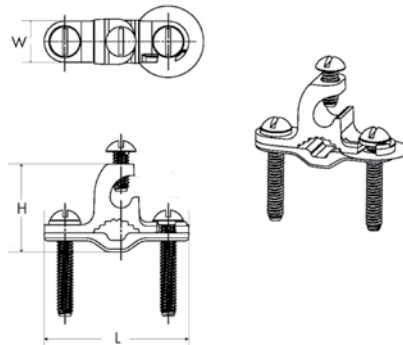
- UL Listed for direct burial in earth and concrete, it can be used with rebar, copper water pipe, copper tubing and ground rods up to 1 inch in diameter.
- cULus Listed 467 Grounding and Bonding.



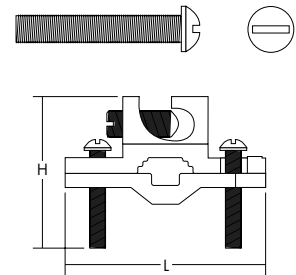
GLC-12 RDB



GLC-12 DB



GLC-140 DB



All dimensional data is listed in inches.

CAT. NO.	FIG. NO.	PIPE SIZE (IPS)	GROUND WIRE RANGE	REBAR SIZE	GROUND ROD SIZE	LENGTH (L)	WIDTH (W)	HEIGHT (H)	STD. CTN. QTY.
GLC-140DB	1	1/2-1	8 STR-4/0 STR	3/8-1	1/2-1	2.551	0.784	2.132	10
GLC-12 DB	2	1/2-1	#10-2 STR	3/8-1	1/2-1	2.281	0.714	1.382	25
GLC-12 RDB	3	1/2-1	#10-2 STR	3/8-1	1/2-1	2.283	0.670	1.385	25
GLC-12 HDB	4	1/2-1	#10-2 STR	3/8-1	1/2-1	2.362	0.708	1.200	25
GLC-240DB	5	1 1/4-2	#8-4/0 STR	-	-	3.319	0.693	3.190	6
GLC-440DB	6	2 1/2-4	#8-4/0 STR	-	-	5.688	0.823	3.743	3

GROUND CLAMPS

Copper & Tin Plated Copper

Lay-in Lugs

GLC, GLA SERIES



FEATURES

- Lay-in lugs are used for grounding or in continuous loop bonding and are available in several variations, depending on the application.
- **GLC-4**
- Copper body with a steel screw and is used for general grounding applications with copper wire.
- **GLC-4 DB/GLC-4 DBP**
- Copper bodies with stainless steel screws, are UL Listed for direct burial in earth or concrete with copper wire.
- cULus Listed 467 Grounding and Bonding.
- **DUAL RATED LAY-IN LUGS**
- Lay-in connectors offer the ultimate in flexibility.
- Excellent for grounding and continuous loop applications.
- Made of 6061T-6 aluminum alloy.
- Electro-tin plated for low contact resistance.
- For use with copper or aluminum conductors.



RATINGS



UL467 Listed.

TEMPERATURE RATING:

*Dual Rated Lay-In: 90 °C.

VOLTAGE:

600V (2000V max. per UL486B).

All dimensional data is listed in inches.

CAT. NO.	FIG. NO.	MATERIAL	WIRE RANGE	USE	LENGTH (L)	WIDTH (W)	HEIGHT (H)	STD. CTN. QTY.
GLC-4	1	Copper with steel screws	4 -14 AWG	General use for CU wire only	1.312	0.396	0.908	100
GLC-4 DB	1	Copper with stainless steel screws	4 -14 AWG	Direct burial for CU wire only	1.312	0.396	0.908	100
GLC-4 DBP	2	Tin-plated copper with stainless steel screws	4 -14 AWG	Direct burial for CU wire only	1.312	0.396	0.908	100
GLA-4*	3	Tin-plated aluminum with stainless steel screws	4-14 AWG	Direct burial for CU wire only	1.070	0.380	0.750	100
GLA-0*	3	Tin-plated aluminum with steel screws	1/0-8 AWG	General use for AL/CU wire	1.500	0.600	1.100	40
GLA-000*	3	Tin-plated aluminum with steel screws	3/0-6 AWG	General use for AL/CU wire	2.000	0.800	1.500	20
GLA-250*	4	Tin-plated aluminum with steel screws	250 MCM-6 AWG	General use for AL/CU wire	2.200	0.800	1.700	20

GROUND CLAMPS

Heavy Duty Direct Burial Ground Clamps, Direct Burial for Rebar

G-S-DB, G-S-BS SERIES

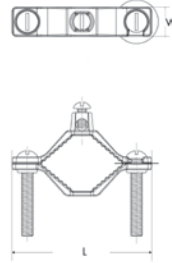


HEAVY DUTY DIRECT BURIAL

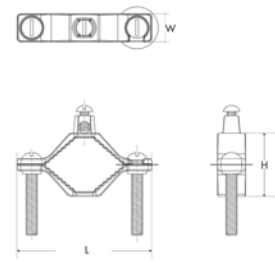


- UL Listed for direct burial in earth or concrete.
- Screws are 304 stainless steel.
- cULus Listed 467 Grounding and Bonding.

G-1-S DB



G-2-SDB



All dimensional data is listed in inches.

CAT. NO.	PIPE SIZE (IPS)	GROUND WIRE BOLT SIZE	GROUND CLAMP BOLT SIZE	GROUND WIRE RANGE	LENGTH (L)	WIDTH (W)	HEIGHT (H)	STD. CTN. QTY.
G-1-S DB*	1/2-1	1/4"-20 x 1/2"	1/4"-20 x 1.50"	10 SOL - 2 STR	2.280	0.650	1.400	20
G-2-SDB*	1 1/4-2	1/4"-20 x 1/2"	5/16"-18 x 2"	10 SOL - 2 STR	3.600	0.750	1.690	10

*Available with silicon bronze screws by adding suffix of -SB.

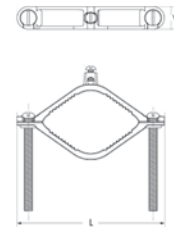
DIRECT BURIAL FOR REBAR



- Used to connect bare copper wire to copper water pipe, ground rods and rebar for bonding.
- Assembled with copper alloy screws and UL Listed for direct burial in earth and concrete.
- Can accommodate ground wires up to 2 AWG.
- cULus Listed 467 Grounding and Bonding.



G-4-S BS



All dimensional data is listed in inches.

CAT. NO.	PIPE SIZE (IPS)	REBAR SIZE	GROUND WIRE RANGE	GROUND CLAMP BOLT SIZE	GROUND WIRE BOLT SIZE	LENGTH (L)	WIDTH (W)	HEIGHT (H)	STD. CTN. QTY.
G-4-S BS	2 1/2-4	3/8 - 1	10 SOL-2 STR	1/4-20 x 1/2"	3/8-16 x 4"	6.350	0.970	3.750	6

GROUND CLAMPS Heavy Duty Direct Burial & with Adapters G & G-DB SERIES



EXTRA HEAVY DUTY DIRECT BURIAL



- This incredible ground clamp can handle just about any size ground wire and just about any application.
- UL Listed for direct burial in earth and concrete, be used with rebar, copper water pipe, copper tubing and ground rods up to 1 inch in diameter.
- Assembled with tough 304 stainless steel screws.
- Will accommodate ground wires from 8 AWG to 4/0 AWG.
- cULus Listed 467 Grounding and Bonding.

All dimensional data is listed in inches.

CAT. NO.	PIPE SIZE (IPS)	GROUND WIRE RANGE	REBAR SIZE	GROUND ROD SIZE	LENGTH (L)	WIDTH (W)	HEIGHT (H)	STD. CTN. QTY.
G-140DB	1	8 STR-4/0 STR	3/8-1	1/2-1	2.362	0.669	1.761	10

*Available with silicon bronze screws by adding suffix of -SB.

DIRECT BURIAL WITH WIRE ADAPTERS

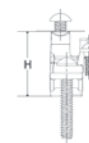
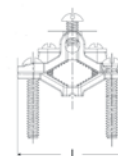


- For connecting wire to copper water pipe for grounding.
- Special pressure bar grips cable armor to lessen chances of grounding conductor being pulled out.
- Assembled with silicon bronze screws.
- UL Listed 467 Grounding and Bonding.

APPLICATION:

- UL Listed for direct burial in earth or concrete.

G-20 DB



All dimensional data is listed in inches.

CAT. NO.	PIPE SIZE (IPS)	GROUND WIRE RANGE	GROUND WIRE BOLT SIZE	GROUND CLAMP BOLT SIZE	LENGTH (L)	WIDTH (W)	HEIGHT (H)	STD. CTN. QTY.
G-20 DB	1/2 - 1	4,6,8 STR	1/4 - 20 x 1/2	1/4 - 20 x 1 1/2	2.250	1.000	1.350	20

GROUND CLAMPS
**Heavy Duty Direct Burial/
 with Adapters & Rebar
 Ground Clamps**
G-S DBR, G-BS, J-SB & RC SERIES



HEAVY DUTY BRONZE GROUND CLAMP



- Bronze ground clamp for bonding bare copper wire to copper water pipe.
- Assembled with tough 304 stainless steel screws.
- Available with silicon bronze screws by adding suffix -SB.
- cULus Listed 467 Grounding and Bonding.

All dimensional data is listed in inches.

CAT. NO.	GROUND WIRE RANGE	PIPE SIZE (IPS)	REBAR SIZE	GROUND ROD SIZE	LENGTH (L)	WIDTH (W)	HEIGHT (H)	STD. CTN. QTY.
G-1-S DBR	10 SOL - 2 STR	1/2-1	3/8 - 1	3/8-1	2.280	0.650	1.400	20

HD GROUND CLAMP WITH ADAPTER AND BRASS SCREWS



- Bronze clamps for copper water pipes with bronze adapters.
- Assembled with brass screws.

All dimensional data is listed in inches.



CAT. NO.	GROUND WIRE RANGE	PIPE SIZE	LENGTH (L)	WIDTH (W)	HEIGHT (H)	STD. CTN. QTY.
G-3 BS	8-4/0 STR	1/2-1	2.320	0.748	1.437	20

REBAR GROUND CLAMPS



Features

- Lay-in style clamp allows for continuous loop wiring.
- Cast silicon bronze connector & Stainless steel hardware.

Application

- For use with copper wire only.
- Harsh direct bury environments & Pool and Spa.
- Any commercial, industrial, maintenance application where ground wire needs to be connected to rebar.

Ratings

- cULus Listed UL467 Grounding & Bonding Equipment & Direct Bury.



*UL Listed for #4 STR - #2 STR.

All dimensional data is listed in inches.

CAT. NO.	FIG. NO.	GROUND WIRE RANGE	REBAR SIZE (IN)	LENGTH (L)	WIDTH (W)	HEIGHT (H)	STD. CTN. QTY.
RC38	1	8-6 SOL	0.375	1.14	0.74	0.75	25
RC50	2	8 SOL - 4 STR	0.500	1.35	0.83	0.91	25
RC58*	3	6 SOL - 2/0 STR	0.625	1.62	0.80	1.06	25

GROUND CLAMPS

Bronze Ground Clamps & Heavy Duty Water Pipe Clamps

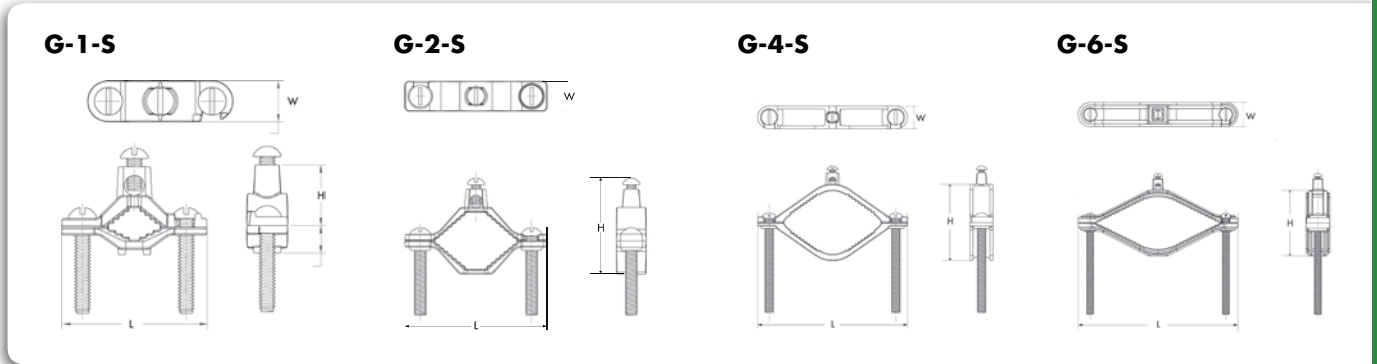
G-S & G SERIES



BRONZE GROUND CLAMPS



- Bronze ground clamp for bonding bare copper wire to water pipe or for use as a water meter shunt.
- Zinc plated steel screws.



All dimensional data is listed in inches.

CAT. NO.	PIPE SIZE (IPS)	GROUND WIRE RANGE	LENGTH (L)	WIDTH (W)	HEIGHT (H)	STD. CTN. QTY.
G-1-S*	1/2-1	10 SOL-2 STR	2.280	0.650	1.400	20
G-2-S*	1 1/4-2	10 SOL-2 STR	3.600	0.750	1.690	10
G-4-S	2 1/2-4	10 SOL-2 STR	6.350	0.970	3.750	6
G-6-S	4 1/2-6	10 SOL-2 STR	8.300	1.250	4.000	3

*Also cULus listed.

HEAVY DUTY WATER PIPE CLAMPS



- Bronze water pipe clamps with serrated head.
- Cast bronze body with plated steel screws.
- Designed for use alone or with heavy duty bronze adapters.

All dimensional data is listed in inches.

CAT. NO.	PIPE SIZE (IPS)	GROUND WIRE RANGE	LENGTH (L)	WIDTH (W)	HEIGHT (H)	STD. CTN. QTY.
G-1	1/2-1	10 SOL-2 STR	2.200	0.748	1.437	25
G-2	1 1/4-2	10 SOL-2 STR	3.500	0.847	2.180	15
G-12	2 1/2-4	10 SOL-2 STR	6.250	0.943	3.674	6
G-13	4 1/2-6	10 SOL-2 STR	7.916	0.933	4.165	4

GROUND CLAMPS
Aluminum & Bronze
Ground Clamps
GCA & G SERIES



ALUMINUM GROUND CLAMPS



- Dual-rated ground clamp that grounds aluminum or copper to water pipe, galvanized pipe or steel conduit.
- Constructed from high-strength, extruded aluminum alloy and are plated to provide low-contact resistance.
- cULus Listed 467 Grounding and Bonding.
- Zinc plated steel screws.

All dimensional data is listed in inches.

CAT. NO.	PIPE SIZE (IPS)	GROUND WIRE RANGE	LENGTH (L)	WIDTH (W)	HEIGHT (H)	STD. CTN. QTY.
GCA-1	1/2-1	1/0-14 AWG	2.260	0.685	1.670	25
GCA-2	1 1/4-2	250 MCM-6 AWG	3.760	0.828	2.930	10
GCA-4	2 1/2-4	250 MCM-6 AWG	6.125	0.996	4.630	3

BRONZE GROUND CLAMP WITH WIRE ADAPTERS

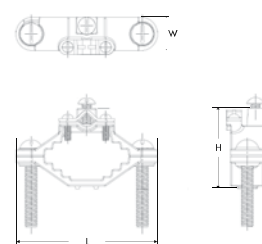


- For connecting unarmored wire to water pipe for grounding.
- Special pressure bar grips cable to lessen chances of grounding conductor being pulled out.
- Assembled with zinc-plated steel screws.

G-20



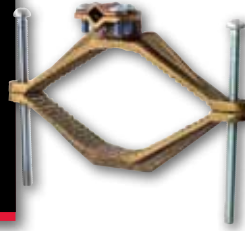
G-66



All dimensional data is listed in inches.

CAT. NO.	PIPE SIZE (IPS)	GROUND WIRE BOLT SIZE	GROUND CLAMP BOLT SIZE	GROUND WIRE RANGE	LENGTH (L)	WIDTH (W)	HEIGHT (H)	STD. CTN. QTY.
G-20	1/2-1	1/4 - 20 x 1/2	1/4 - 20 x 1 1/2	4,6,8 STR	2.250	1.000	1.350	20
G-66	1 1/4-2	1/4 - 20 x 1/2	5/16 - 18 x 2	4,6,8 STR	3.580	0.850	2.040	10

GROUND CLAMPS Heavy Duty & with 360° Adapters for Rigid Conduit G SERIES



HEAVY DUTY BRONZE



- Heavy duty bronze adapters have serrations that match the serrations on the ground clamp, assuring positive lock.
- All adapters fit all clamps for the ultimate flexibility.
- Assembled with zinc plated steel hardware.
- Used to connect grounding conductor to rigid conduit on water pipe.
- UL Listed 467 Grounding and Bonding.

All dimensional data is listed in inches.

CAT. NO.	PIPE SIZE (IPS)	GROUND WIRE RANGE	LENGTH (L)	WIDTH (W)	HEIGHT (H)	STD. CTN. QTY.
G-3	1/2-1	8-4/0 STR	2.320	0.748	1.437	20
G-4	1 1/4-2	8-4/0 STR	3.528	0.850	2.706	10
G-15	2 1/2-4	8-4/0 STR	6.125	0.964	3.962	6
G-16	4 1/2-6	8-4/0 STR	7.916	0.933	4.565	3

FOR RIGID CONDUIT



- Used to connect grounding conductor to rigid conduit on water pipe.

All dimensional data is listed in inches.

CAT. NO.	CONDUIT HUB SIZE	PIPE SIZE (IPS)	GROUND WIRE RANGE	LENGTH (L)	WIDTH (W)	HEIGHT (H)	STD. CTN. QTY.
G-5	1/2	1/2 - 1	10 SOL - 2/0 STR	2.200	0.748	2.437	15
G-6	1/2	1 1/4 - 2	10 SOL - 2/0 STR	3.667	0.791	3.195	10
G-18	1/2	2 1/2 - 4	10 SOL - 2/0 STR	6.125	0.961	4.812	6
G-19	1/2	4 1/2 - 6	10 SOL - 2/0 STR	8.125	1.263	4.740	3
G-7	3/4	1/2 - 1	10 SOL - 3/0 STR	2.200	0.748	1.437	15
G-8	3/4	1 1/4 - 2	10 SOL - 3/0 STR	3.616	0.791	3.298	8
G-21	3/4	2 1/2 - 4	10 SOL - 3/0 STR	6.125	0.961	4.943	6
G-22	3/4	4 1/2 - 6	10 SOL - 3/0 STR	8.227	1.244	5.050	3
G-9	1	1/2 - 1	10 SOL - 3/0 STR	2.315	0.747	3.159	12
G-10	1	1 1/4 - 2	10 SOL - 3/0 STR	3.616	0.816	3.561	8
G-24	1	2 1/2 - 4	10 SOL - 3/0 STR	6.125	0.940	5.191	6
G-25	1	4 1/2 - 6	10 SOL - 3/0 STR	8.225	1.260	5.245	3

GROUND CLAMPS Heavy Duty with 360° Adapters for Rigid Conduit EG SERIES

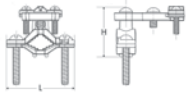


WITH 360° ADAPTERS FOR RIGID CONDUIT

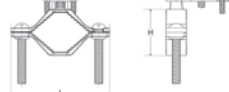
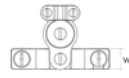


- Bronze water pipe clamps with bronze adapters.
- Excellent quality yet economical.
- All adapters are interchangeable.
- Assembled with zinc-plated steel screws.
- Hub swings 360° for easy alignment.
- Used to connect rigid conduit and ground conductor to water pipe.
- UL Listed 467 Grounding and Bonding.

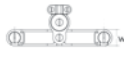
EG-3



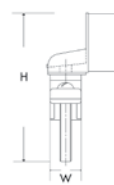
EG-4



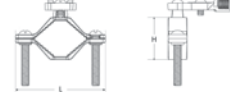
EG-15



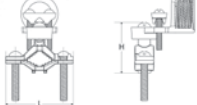
EG-5



EG-6



EG-7



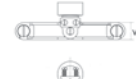
EG-8



EG-9



EG-24



All dimensional data is listed in inches.

CAT. NO.	CONDUIT HUB SIZE	PIPE SIZE (IPS)	GROUND WIRE RANGE	LENGTH (L)	WIDTH (W)	HEIGHT (H)	STD. CTN. QTY.
EG-3	1/2	1/2 - 1	10 SOL - 2/0 STR	2.200	0.585	2.300	20
EG-4	1/2	1 1/4 - 2	10 SOL - 2/0 STR	3.588	0.737	3.117	10
EG-15	1/2	2 1/2 - 4	10 SOL - 2/0 STR	6.125	0.972	4.834	6
EG-5	1/2	1/2 - 1	10 SOL - 2/0 STR	2.208	0.597	2.210	15
EG-6	1/2	1 1/4 - 2	10 SOL - 2/0 STR	3.631	0.725	2.696	10
EG-7	3/4	1/2 - 1	10 SOL - 2/0 STR	2.298	0.663	2.470	15
EG-8	3/4	1 1/4 - 2	10 SOL - 2/0 STR	3.576	0.789	3.841	8
EG-9	1	1/2 - 1	10 SOL - 3/0 STR	2.280	0.650	1.900	12
EG-10	1	1 1/4 - 2	10 SOL - 3/0 STR	3.587	0.792	4.029	8
EG-24	1	2 1/2 - 4	10 SOL - 3/0 STR	6.125	0.962	5.158	6

GROUND CLAMPS
Rigid Conduit
w/Flexible Wire Strap
G SERIES



FEATURES

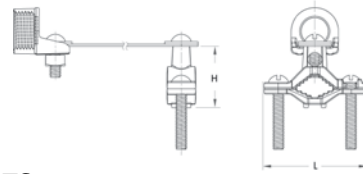
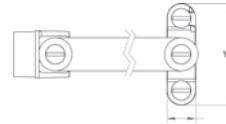
- For connecting the grounding conductor in rigid conduit to water pipe.
- Copper strap allows flexibility during grounding and helps protect the conduit system from the results of vibrations in the water system.
- Assembled with zinc-plated steel screws.

RATINGS

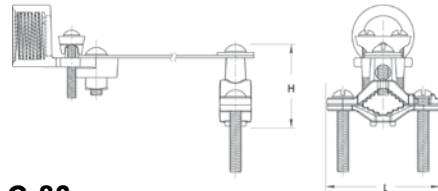
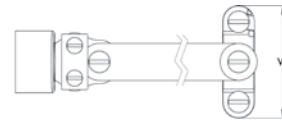


UL Listed 467 Grounding & Bonding.

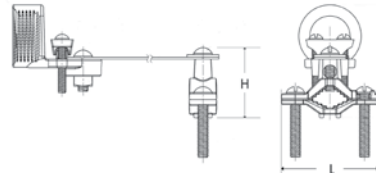
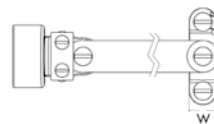
G-90



G-79



G-83



All dimensional data is listed in inches.

CAT. NO.	CONDUIT HUB SIZE	PIPE SIZE (IPS)	GROUND WIRE RANGE	STD. CTN. QTY.
G-90	1/2	1/2 - 1	10 SOL – 2/0 STR	15
G-79	3/4	1/2 - 1	10 SOL – 2/0 STR	12
G-83	1	1/2 - 1	10 SOL – 3/0 STR	12

GROUND CLAMPS
Economy and
360° Swing Type Hubs
GH, GHM SERIES



ECONOMY 360° HUB FOR GROUND CLAMPS

- Threaded hub cast of high-strength, highly conductive bronze.
- Used with ground clamp to ground conductor to water pipe.

All dimensional data is listed in inches.

CAT. NO.	CONDUIT HUB SIZE	GROUND WIRE RANGE	STD. CTN. QTY.
GH-50	1/2	10 SOL – 4 STR	50
GH-75	3/4	10 SOL – 2/0 STR	25
GH-100	1	10 SOL – 3/0 STR	15

360° SWING TYPE

- Threaded hub cast of high-strength, highly conductive bronze.
- Used with ground clamp with serrated hub to ground conductor to water pipe.
- Allows entry from any direction.
- Zinc plated steel screws.



All dimensional data is listed in inches.

CAT. NO.	CONDUIT HUB SIZE	GROUND WIRE RANGE	STD. CTN. QTY.
GHM-50	1/2	10 SOL – 2/0 STR	50
GHM-75	3/4	10 SOL – 2/0 STR	75
GHM-100	1	10 SOL – 3/0 STR	15

GROUND CLAMPS

Zinc Die Cast and Standard Duty Silicon Bronze Ground Clamp

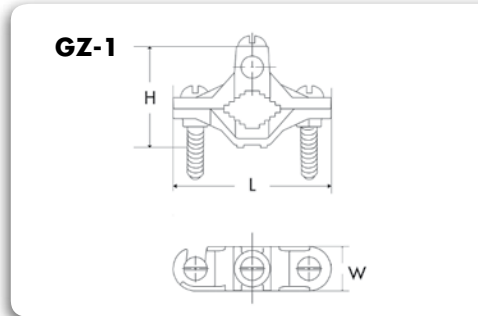
GZ, GRC SERIES



ZINC DIE-CAST GROUND CLAMPS



- Die cast from high-strength zinc alloy.
- Used to connect bare copper wire for grounding.
- Zinc plated steel screws.
- GZB-1 is brass plated.



All dimensional data is listed in inches.

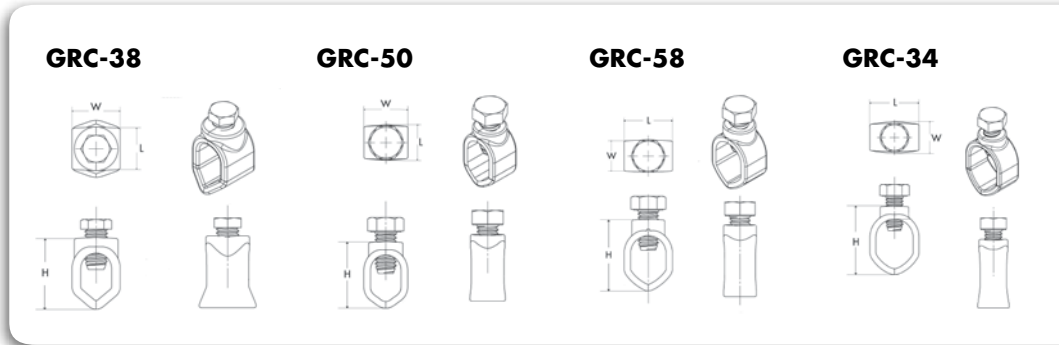
CAT. NO.	CONDUIT SIZE	GROUND WIRE RANGE	STD. CTN. QTY.
GZ-1	1/2 - 1	2 - 10	20
GZB-1*	1/2 - 1	2 - 10	20

*Not UL Listed.

STANDARD DUTY SILICON BRONZE



- Ground rod clamps are made from silicon bronze with 304 stainless steel screws for maximum strength.
- All standard duty and heavy duty ground clamps are UL Listed for direct burial in earth or concrete.
- cULus Listed 467 Grounding and Bonding.



All dimensional data is listed in inches.

CAT. NO.	GROUND ROD SIZE	REBAR SIZE	GROUND WIRE MAXIMUM	STD. CTN. QTY.
GRC 38(**)	3/8	-	10 SOL - 4 STR	50
GRC 50**	1/2	3/8	10 SOL - 2 STR	25
GRC 58**	5/8	1/2	10 SOL - 2 STR	25
GRC 34**	3/4	5/8	10 SOL - 1 STR	20

*Not UL Listed/ **Available with silicon bronze screws by adding suffix of -SB.

GROUND CLAMPS
Heavy Duty Silicon
Bronze & Range Taking
Rod Clamp
GRC SERIES



HEAVY DUTY SILICON BRONZE

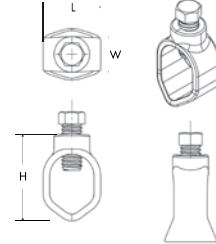


- Ground rod clamps are made from silicon bronze for maximum strength.
- A silicon bronze screw furnishes maximum clamping force.
- All standard duty and heavy duty ground clamps are UL Listed for direct burial in earth or concrete.

GRC-58H



GRC-34H



All dimensional data is listed in inches.

CAT. NO.	GROUND ROD SIZE	GROUND WIRE MAXIMUM	STD. CTN. QTY.
GRC-50H*	1/2	10 SOL – 2 STR	25
GRC-58H*	5/8	10 SOL – 1/0 STR	20
GRC-34H*	3/4	8 SOL – 1/0 STR	20
GRC-100H*	1	8 SOL – 4/0 STR	10

*Available with silicon bronze screws by adding suffix -SB.

RANGE TAKING ROD CLAMP



- This heavy duty ground rod clamp replaces all existing ground rod clamps, eliminating the need to stock several different sizes and types.
- UL listed for direct burial in earth and concrete, heavy duty construction enables it to handle large ground wires up to 1/0 AWG – much larger than a standard ground rod clamp.
- Suitable for 3/8", 1/2", 5/8", 3/4" ground rods.

All dimensional data is listed in inches.

CAT. NO.	GROUND WIRE RANGE	GROUND ROD SIZE	REBAR SIZE	SCREW MATERIAL	STD. CTN. QTY.
GRC-3834*	10 SOL – 1/0 STR	3/8, 1/2, 5/8, 3/4	3/8, 1/2, 5/8	silicon bronze	25

*Available with silicon bronze screws by adding suffix -SB.

GROUNDING CONNECTORS

Intersystem Bonding Connectors

GBIAL, GBIBZ SERIES



FEATURES

- Convenient lay-in feature for main grounding conductor, accommodates #2 to #6 AWG.
- Lay-In feature eliminates the need to cut or splice to main electrode.
- Lay-In feature eliminates disassembling ground to rod connection.
- UL Listed 467 Grounding.
- Optional UV Resistant paintable cover for more desirable appearance.
- For indoor and outdoor use.
- Compact size measures 1.4"H x 1.19"W x 3.93"L.

GBIAL:

- Supplied with stainless steel screws to prevent corrosion.
- Dual rated for copper or aluminum conductor.

GBIBZ

- Assembled with Zinc plated steel screws.
- Rated for copper conductor only.

APPLICATIONS

- Connector for intersystem bonding of power and communication (phone, cable, and satellite) grounding systems.
- Meets or exceeds requirements set forth in NEC2008 250.94 Bonding of other systems facilitates a fast and simple connection to ground conductor below the meter.



All dimensional data is listed in inches.

CAT. NO.	FIG. NO.	MATERIAL	DESCRIPTION	WIRE RANGE	NO. OF CIRCUITS	STD. CTN. QTY.
GBIAL 126-4414-WC	1	Aluminum	With cover	(1) 2-6, (4) 4-14	4	1
GBIAL 126-4414	1	Aluminum	Cover not included	(1) 2-6, (4) 4-14	4	1
GBIBZ 126-4414-WC	2	Bronze	With cover	(1) 2-6, (4) 4-14	4	1
GBIBZ 126-4414	2	Bronze	Cover not included	(1) 2-6, (4) 4-14	4	1

GROUNDING CONNECTORS

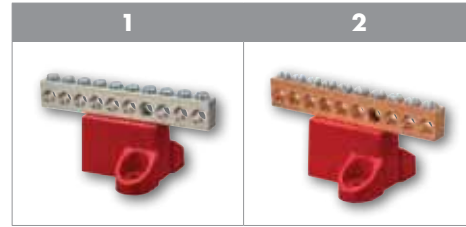
Isolated Ground Bars

GBA, GBC SERIES



FEATURES

- Made from either high-strength aluminum alloy 6061-T6 or high-conductivity copper as indicated below.
- The base is made from high-strength glass-filled polyester.
- Aluminum connectors are dual-rated for use with aluminum or copper cables.



Aluminum and copper

Copper only

All dimensional data is listed in inches.

CAT. NO.	FIG. NO.	MATERIAL	WIRE RANGE	NO. OF CIRCUITS	LENGTH	HEIGHT	WIDTH	STD. CTN. QTY.
GBA2-7	1	Aluminum	AL/CU 2 - 14	7	2.88	2.31	1.88	3
GBC2-7	2	Copper	CU 2 - 14	7	2.88	2.31	1.75	3
GBA2-10	1	Aluminum	AL/CU 2 - 14	10	4.07	2.31	1.88	3
GBC2-10	2	Copper	CU 2 - 14	10	4.07	2.31	1.75	3
GBA2-14	1	Aluminum	AL/CU 2 - 14	14	5.56	2.31	1.88	2
GBC2-14	2	Copper	CU 2 - 14	14	5.56	2.31	1.75	2
GBA2-20	1	Aluminum	AL/CU 2 - 14	20	8.04	2.31	1.88	2
GBC2-20	2	Copper	CU 2 - 14	20	8.04	2.31	1.75	2
GBA20-7	1	Aluminum	AL/CU 2/0 - 14	7	4.61	2.31	2.13	3
GBA20-10	1	Aluminum	AL/CU 2/0 - 14	10	6.41	2.31	2.13	3
GBA20-14	1	Aluminum	CL/CU 2/0 - 14	14	8.81	2.31	2.13	2

GROUNDING CONNECTORS

Heavy Duty for Parallel, 90° Copper Cable

UC SERIES



FEATURES

- Made of high-copper-content alloy for grounding to 1/2" - 1" ground rods and ground pipes from 1/4" - 3 1/2" in parallel or 90° position.
- Suitable for direct burial in earth and concrete.
- Nuts and lockwashers are silicon bronze.
- For use with single wire.

All dimensional data is listed in inches.

CAT. NO.	ROD SIZE	PIPE SIZE	CABLE RANGE	STD. CTN. QTY.
UC-101	1/2	1/4	2/0 - 4	12
UC-102*	1/2	1/4	250-2/0	12
UC-103	5/8 - 3/4	3/8	4 - 8	12
UC-104	5/8 - 3/4	3/8	2/0 - 4	12
UC-105	5/8 - 3/4	3/8	250 - 2/0	12
UC-108	7/8 - 1	1/2 - 3/4	2/0 - 4	12
UC-109	7/8 - 1	1/2 - 3/4	250 - 2/0	12
UC-110*	7/8 - 1	1/2 - 3/4	300-500	12
UC-114	-	1	2/0 - 4	6
UC-115	-	1	250 - 2/0	12
UC-120	-	1 1/4	2/0 - 4	12
UC-121	-	1 1/4	250 - 2/0	12
UC-126	-	1 1/2	2/0 - 4	12
UC-127	-	1 1/2	250 - 2/0	12
UC-132	-	2	2/0 - 4	12
UC-133	-	2	250 - 2/0	6
UC-137	-	2 1/2	2/0 - 4	6
UC-138	-	2 1/2	250 - 2/0	6
UC-142	-	3	2/0 - 4	6
UC-143	-	3	250 - 2/0	6
UC-147	-	3 1/2	2/0 - 4	3
UC-148*	-	3 1/2	250 - 2/0	3

*Not UL Listed

RATINGS



cULus
UL Listed 467 Grounding & Bonding.

GROUNDING CONNECTORS

Heavy Duty for Parallel, Two & Three Conductor

UC SERIES



FEATURES

- Made of high-copper-content alloy for grounding to 1/2" - 1" ground rods and ground pipes from 1/4" - 3 1/2" in parallel or 90° position.
- Suitable for direct burial in earth and concrete.
- Nuts and lockwashers are silicon bronze.
- 200 Series for use with two wires.
- 300 Series for use with three wires.



RATINGS



All dimensional data is listed in inches.

CAT. NO.	FIG. NO.	PIPE SIZE	CABLE RANGE	STD. CTN. QTY.
UC-214	1	1	2/0 - 4	6
UC-215	1	1	250 - 2/0	6
UC-220	1	1 1/4	2/0 - 4	6
UC-221	1	1 1/4	250 - 2/0	6
UC-226	1	1 1/2	2/0 - 4	6
UC-227	1	1 1/2	250 - 2/0	6
UC-232	1	2	2/0 - 4	6
UC-233	1	2	250 - 2/0	3
UC-237	1	2 1/2	2/0 - 4	3
UC-238	1	2 1/2	250 - 2/0	3
UC-242	1	3	2/0 - 4	3
UC-243	1	3	250 - 2/0	3
UC-315	2	1	250 - 2/0	6
UC-320	2	1 1/4	2/0 - 4	6
UC-326	2	1 1/2	2/0 - 4	6
UC-327	2	1 1/2	250 - 2/0	6
UC-332	2	2	2/0 - 4	6
UC-333	2	2	250 - 2/0	3
UC-338	2	2 1/2	250 - 2/0	3
UC-342	2	3	2/0 - 4	3
UC-343	2	3	250 - 2/0	3

GROUNDING CONNECTORS "C" Taps



CT SERIES

- These taps ensure positive, all-around compression with low resistance and high pull-out values.
- Made of high conductivity copper, they satisfy the requirements of NEC250-81 and 250-91 for connecting to the grounding electrode system.



CTH SERIES

- These taps ensure positive, all-around compression with low resistance and high pull-out values.
- Made of high conductivity copper, they satisfy the requirements of NEC250-81 and 250-91 for connecting to the grounding electrode system.



CTH SERIES

- Range-taking compression connectors made from high conductivity copper alloy.
- Ideal for making tap or parallel copper connections from 8 SOL to 4/0 STR conductors.
- Provides consistent reliability with heavy wall construction that prevents relaxation of the joint after installation. Installation time is reduced because of its "C" shape.



C-TAPS ORDER INFO

Find them in the
Connectors Section

PAGES 103-104



GROUNDING CONNECTORS

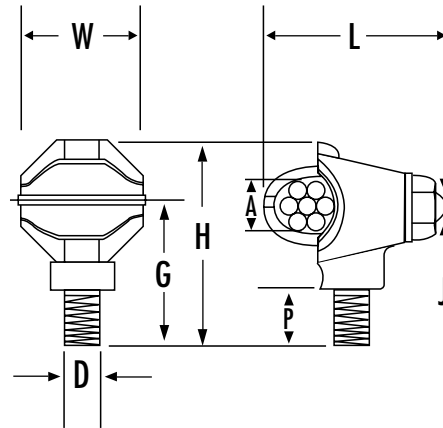
Transformer Ground Clamps

TGE SERIES



FEATURES

- Cast from high conductivity, high strength copper alloy with cast high strength bronze eyebolts.
- Stainless steel nuts and lockwashers are standard on all clamps.
- The TGE may be tightened by using a wrench on the body.



All dimensional data is listed in inches.

CAT. NO.	COPPER CONDUCTOR RANGE (A)	FINISH	WIRE DIA.	STUD SIZE (D)	LENGTH (L)	WIDTH (W)	HEIGHT (H)	STD. CTN. QTY.
TGE-1	10 SOL - 1 STR	Plain	.102/.332	1/2 - 13	1.450	0.932	1.701	50
TGE-2/O	8 SOL -2/O STR	Plain	.128/.419	1/2 - 13	1.782	1.225	2.208	15
TGE-250	6 SOL - 250MCM	Plain	.162/.575	1/2 - 13	2.760	1.863	2.569	10
TGE-1TN	10 SOL - 1 STR	Tin Plated	.102/.332	1/2 - 13	1.450	0.932	1.701	50
TGE-2/OTN	8 SOL -2/O STR	Tin Plated	.128/.419	1/2 - 13	1.782	1.225	2.208	15
TGE-250TN	6 SOL - 250MCM	Tin Plated	.162/.575	1/2 - 13	2.760	1.863	2.569	10

GROUNDING CONNECTORS

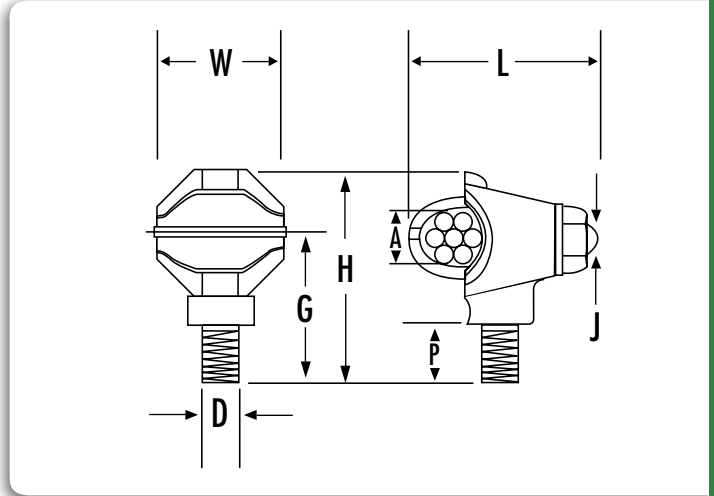
Two-Way Baskets

HTGE SERIES



FEATURES

- Cast from high conductivity, high strength copper alloy with cast high strength bronze eyebolts.
- Stainless steel nuts and lockwashers are standard on all clamps.
- The HTGE provides a hex or square shoulder for wrench tightening.
- The flat surface also acts as a seal to the tank.



All dimensional data is listed in inches.

CAT. NO.	COPPER CONDUCTOR RANGE (A)	FINISH	WIRE DIA.	STUD SIZE (D)	APPROX DIMENSIONS										
					G		H		J (EYEBOLT)	L		P	W		
					IN	MM	IN	MM	IN	IN	MM	IN	MM	IN	MM
HTGE-1	10 SOL - 1 STR	Plain	.102/.332	1/2 - 13	1 - 3/16	30	1 - 3/4	44	3/8 - 16	1 - 31/32	50	7/16	11	1 - 1/8	28
HTGE-2/O	8 SOL - 2/O STR	Plain	.128/.419	1/2 - 13	1 - 5/16	33	1 - 15/16	49	3/8 - 16	2	51	7/16	11	1 - 1/4	32
HTGE-250	6 SOL - 250MCM	Plain	.162/.575	1/2 - 13	1 - 3/16	30	2 - 1/8	54	1/2 - 13	2 - 5/8	67	15/32	12	1 - 7/8	48
HTGE-2/OTN	8 SOL - 2/O STR	Tin Plated	.128/.419	1/2 - 13	1 - 5/16	33	1 - 15/16	49	3/8 - 16	2	51	7/16	11	1 - 1/4	32
HTGE-250TN	6 SOL - 250MCM	Tin Plated	.162/.575	1/2 - 13	1 - 3/16	30	2 - 1/8	54	1/2 - 13	2 - 5/8	67	15/32	12	1 - 7/8	48

GROUNDING CONNECTORS

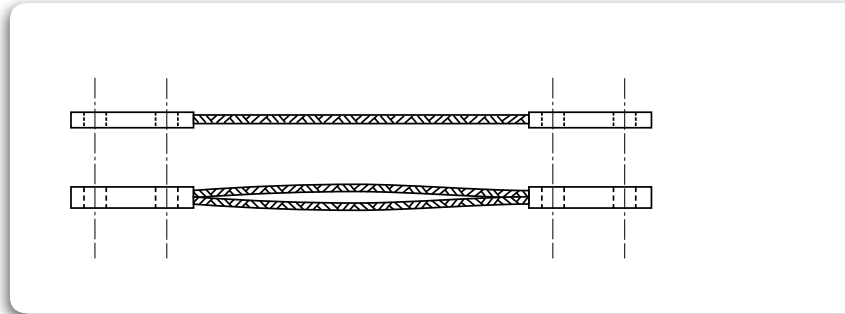
Flexible Braid Jumper Straps & Ground Strap

FS, SA SERIES



FLEXIBLE BRAID JUMPER STRAPS

- Recommended for motion due to expansion, contraction, vibration and operational movement of current carrying members.
- Manufactured from flat, extra-flexible tinned braid, they are available in a wide variety of sizes and amperages.
- The ferrules are made from pure electrolytic copper and are tin-plated.
- Standard mounting holes are 9/16" NEMA spaded holes.



All dimensional data is listed in inches.

CAT NO.	LENGTH	AMPERE RATING		APPROX. CIRCULAR MILS	THICKNESS	WIDTH (2 HOLE PAD ONLY)	STD. CTN. QTY.
		INDOORS	OUTDOORS				
FS1-19-8N	12	190	225	77,000	1/4	11/16	1
FS1-19-8N-18	18	190	225	77,000	1/4	11/16	1
FS1-19-8N-24	24	190	225	77,000	1/4	11/16	1
FS1-33-8N	12	330	400	154,500	1/4	1 1/2	1
FS1-33-8N-18	18	330	400	154,500	1/4	1 1/2	1
FS1-33-8N-24	24	330	400	154,000	1/4	1 1/2	1
FS2-60-8N	12	600	720	463,000	7/16	13/16	1

FLEXIBLE GROUND STRAP

- Woven of high conductivity, annealed, tinned copper wire, this braided ground strap provides maximum flexibility and ease of handling when installing ground or shield continuity.
- This braid is used for shield and lead-sheath grounding and is easily soldered to lead, copper and tinned metals.
- It is also used for continuing the fault-carrying capacity of the cable shield as a jumper braid.



CAT. NO.	WIDTH (IN)	LENGTH (FT)	EQUIVALENT AWG SIZE	STD. CTN. QTY.
SA 382B	3/8	25	9 AWG	1
SA 382C	3/8	100	9 AWG	1
SA 582B	1/2	25	6 AWG	1
SA 582C	1/2	100	6 AWG	1

GROUNDING CONNECTORS

Grounding Pigtails (for solid & stranded wire) and Grounding Clips

PG, GGC, GSH, GSC SERIES



FEATURES

SOLID PIGTAILS WITH SCREWS

- Pigtails are insulated conductors supplied with an attached ground screw on one end and the insulation stripped back one inch on the other end.
- Meets NEC requirements.

STRANDED WITH RING & SPADE

- Supplied with a spade terminal on one end and a ring terminal with a captive green-dyed screw on the other end.
- 65 strand #12 AWG and 41 strand #14 AWG for maximum flexibility.



RATINGS



All dimensional data is listed in inches.

CAT. NO.	FIG. NO.	DESCRIPTION	STD. CTN. QTY.
PG14C	1	6.5 Inch 14 AWG Solid With Combo Screw - Green	50
PG12C	1	6.5 Inch 12 AWG Solid With Combo Screw - Green	50
PG12C-8	1	8 Inch 12 AWG Solid With Combo Screw - Green	50
PG14SC	2	8 Inch 14 AWG (41W) Stranded With Combo Slotted Screw	50
PG12SC	2	8 Inch 12 AWG (65W) Stranded With Combo Slotted Screw	50
GSH	3	Hex Head Green Grounding Screw	100
GSC	3	Combo Slotted Hex Screw	100
GGC-1000	4	Green Grounding Clips	100

Co
Records Po
Conectores Grises

22-1

MAX: 1#16 w/1#18

M





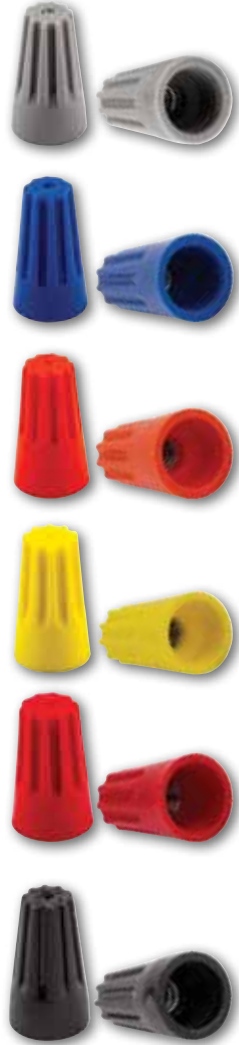
EASY-TWIST™

EASY-TWIST™ Standard Twist-On Wire Connectors WC SERIES

Example: (100) (10X100) =
100 in standard package,
1000 in standard carton.

FEATURES

- Flame retardant UL 94V-2 thermoplastic shell provides excellent electrical insulation.
- Fixed, precise square wire spring provides secure gripping of conductors.
- Deep skirt entry provides protection from flashover and shorts.
- Sure-grip ribs improve gripping comfort.
- Compact design ensures proper installation, especially in tight spaces.
- Threaded funnel entry guides the wires into the connector easily.
- Pre-twisting of wires is not necessary.
- Zinc-plated springs for low contact resistance.



RATINGS



UL 486C Listed Wire Connector.

TEMPERATURE RATING:

105 °C (221 °F),
150 °C (302 °F) High Temp.

VOLTAGE:

1,000V max. in fixtures and signs.

WIRE TYPE:

For Copper wire only.

INSTALLATION:

Socket installation tools are included in each bag of Easy-Twist™ Connectors (Cat.No. with "-B" suffix). Made to fit any pneumatic or electrical tool with a ¼" chuck or drive socket.



Scan QR code for mobile access to wire combinations.



COLOR / TYPE	WIRE RANGE	MAX VOLTAGE	WIRE RANGE	
			MIN.	MAX.
Grey	22-14 AWG	300V	2 #22 AWG	1 #14 w/ 1 #20 AWG
Blue	22-14 AWG	300V	2 #22 AWG	3 #16 AWG
Orange	22-14 AWG	600V	1 #18 w/ 1 #20 AWG	4 #16 w/ 1 #20 AWG
Yellow	22-10 AWG	600V	3 #20 AWG	1 #10 w/ 2 #14 w/ 1 #16 AWG
Red	22-8 AWG	600V	3 #18 AWG	3 #10 AWG
High Temp 1	22-18 AWG	300V	1 #18 Str w/ 1 #22 Str	2 #18 Str
High Temp 3	22-14 AWG	600V	1 #16 w/ 1 #22	1 #14 w/ 1 #16 w/ 1 #18



CARTON

SMALL JAR

LARGE JAR

BAG

BULK

DRUM

WC-G-C
(100) (10x100)

WC-G-SJ
(300) (50x300)

–

WC-G-B
(1000) (26x1000)

WC-G
(25000)

–

WC-B-C
(100) (10x100)

WC-B-SJ
(300) (50x300)

–

WC-B-B
(1000) (18x1000)

WC-B
(10000)

–

WC-O-C
(100) (10x100)

WC-O-CJ
(100) (50x100)

WC-O-J
(700) (12x700)
WC-O-SJ
(300) (12x300)

WC-O-B
(500) (16x500)

WC-O
(10000)

WC-O-D
(50000)

WC-Y-C
(100) (10x100)

WC-Y-CJ
(100) (50x100)

WC-Y-J
(500) (12x500)
WC-Y-SJ
(200) (12x200)

WC-Y-B
(500) (12x500)

WC-Y
(10000)

WC-Y-D
(35000)

WC-R-C
(100) (10x100)

WC-R-SJ
(100) (20x100)

WC-R-J
(350) (12x350)

WC-R-B
(500) (8x500)

WC-R
(5000)

WC-R-D
(25000)

–

–

–

WC-HB1-B
(1000) (26x1000)

WC-HB1
(10000)

–

–

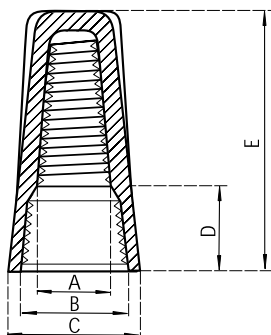
–

–

WC-HB3-B
(500) (16x500)

WC-HB3
(10000)

–



All Dimensional Data is listed in inches.

	COLOR	MAX. SPRING WIDTH (A)	MAX. SKIRT ENTRY (B)	MAX. WIDTH (C)	MAX. SKIRT DEPTH (D)	LENGTH/HEIGHT (E)
■	Grey	0.150	0.256	0.339	0.217	0.598
■	Blue	0.161	0.280	0.390	0.217	0.697
■	Orange	0.197	0.382	0.500	0.268	0.866
■	Yellow	0.236	0.433	0.551	0.268	0.969
■	Red	0.339	0.516	0.642	0.406	1.043
■	High Temp 1	0.150	0.256	0.339	0.228	0.598
■	High Temp 3	0.197	0.382	0.500	0.307	0.866

EASY-TWIST™ Winged Twist-On Wire Connectors WWC SERIES

Example: (100) (10X100) =

100 in standard package,
1000 in standard carton.

FEATURES

- Deep surface ridges provide better grip.
- Ergonomic, swept-back wing design provides handling comfort and increased torque ability.
- Flame retardant UL 94V-2 thermoplastic shell provides excellent electrical insulation.
- Fixed, precise square wire spring provides secure gripping of conductors.
- Deep skirt entry provides protection from flashover and shorts.
- Compact design ensures proper installation, especially in tight spaces.
- Threaded funnel entry guides the wires into the connector easily.
- Pre-twisting of wires is not necessary.
- Zinc-plated springs for low contact resistance.

RATINGS



UL 486C Listed Wire Connector.
WWC-GR is UL 467 Listed Grounding and Bonding.

TEMPERATURE RATING:
105 °C (221 °F).

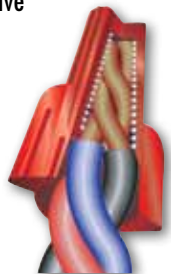
VOLTAGE:
600V max., 1,000V max. in fixtures and signs.

WIRE TYPE:
For Copper wire only.

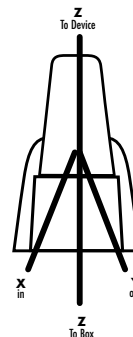
INSTALLATION:
Socket installation tools are included in each bag of Easy-Twist™ Connectors (Cat.No. with "-B" suffix). Made to fit any pneumatic or electrical tool with a ¼" chuck or drive



Scan QR code for mobile access to wire combinations.



COLOR / TYPE	WIRE RANGE	MAX VOLTAGE	WIRE RANGE	
			MIN.	MAX.
Yellow	18 - 10 AWG	600V	2 #18 AWG	3 #12 AWG
Tan	22-8 AWG	600V	3 #22 AWG	4 #12 AWG
Red	18-8 AWG	600V	3 #16 AWG	5 #12 AWG
Grey	18 - 8 AWG	600V	3 #14 w/1 #18 AWG	3 #10 AWG
Blue	14 - 6 AWG	600V	2 #10 w/ 1 #12 AWG	1 #8 w/ 3 #10 AWG
Green GND	14-10 AWG	600V	2 #14	5 #12
Yellow N1	22 - 10 AWG	600V	4 #22 AWG	3 #12 AWG
Red N2	22 - 6 AWG	600V	3 #20 AWG	1 #8 w/ 3#12 AWG



WINGED GREEN GROUNDING CONNECTOR:

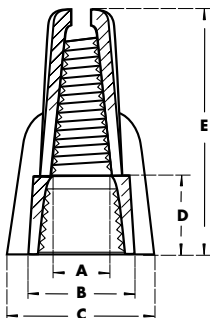
X System grounding wire
Y System grounding wire
Z "Through" wire between device and box ground

Note: If "through" wire is a jumper, be sure wire extends below skirt 6" min.



CARTON	SMALL JAR	LARGE JAR	BAG	BULK	DRUM
WWC-Y-C (100) (10X100)	WWC-Y-CJ (100) (50x100)	WWC-Y-J (550) (12x550)	WWC-Y-B (500) (13x500)	WWC-Y (5000)	WWC-Y-D (35000)
WWC-T-C (100) (10x100)	WWC-T-CJ (100) (50x100) WWC-T-SJ (100) (50x100)	WWC-T-J (450) (12x450)	WWC-T-B (500) (12x500)	WWC-T (5000)	WWC-T-D (30000)
WWC-R-C (100) (10x100)	WWC-R-SJ (100) (20x100)	WWC-R-J (300) (12x300)	WWC-R-B (500) (7x500)	WWC-R (5000)	WWC-R-D (20000)
WWC-G-C (50) (10x50)	WWC-G-SJ (50) (32x50)	-	WWC-G-B (250) (11x250)	WWC-G (5000)	WWC-G-D (20000)
WWC-B-C (50) (10x50)	WWC-B-SJ (50) (20x50)	WWC-B-J (125) (12x125)	WWC-B-B (100) (16x100)	WWC-B (2500)	WWC-B-D (9500)
WWC-GR-C (100) (10x100)	WWC-GR-SJ (100) (20x100)	WWC-GR-J (300) (12x350)	WWC-GR-B (500) (9x500)	WWC-GR (25000)	WWC-GR-D (25000)
WWC-N1-C (100) (10X100)	WWC-N1-CJ (100) (50x100)	-	WWC-N1-B (500) (13x500)	WWC-N1 (10000)	-
WWC-N2-C (100) (10X100)	-	-	WWC-N2-B (500) (9x500)	WWC-N2 (10000)	-

Shown: WWC-GR



All Dimensional Data is listed in inches.

COLOR	MAX. SPRING WIDTH (A)	MAX. SKIRT ENTRY (B)	MAX. WIDTH (C)	MAX. SKIRT DEPTH (D)	LENGTH/HEIGHT (E)
Yellow	0.252	0.386	0.717	0.354	1.016
Tan	0.283	0.457	0.720	0.362	1.142
Red	0.354	0.512	0.906	0.378	1.252
Grey	0.394	0.587	1.004	0.394	1.311
Blue	0.472	0.701	1.260	0.512	1.575
Green	0.327	0.476	0.795	0.370	1.134
N-type Yellow	0.287	0.429	0.492	0.417	0.992
N-Type Red	0.358	0.520	0.583	0.453	1.161

EASY-TWIST™
Wire Connector
Combination Pails
WC & WWC SERIES



FEATURES

- Compact, easy to carry pail, also convenient for use on maintenance cart.
- 4-pack pail includes the most common Easy-Twist™ connectors.



RATINGS



UL 486C Listed Wire Connector.

TEMPERATURE RATING:
 105 °C (221 °F).

VOLTAGE:
 1,000V max. in fixtures and signs.

WIRE TYPE:
 For copper wire only.



Scan QR code for mobile access to wire combinations.

CAT.
NO.

ET-CP-1

ET-CP-2

ET-CP-3

ET-CP-11

ET-CP-12

ET-CP-13

ET-CP-14

ET-CP-15



PAIL CONTENTS	COLOR	WIRE RANGE	QTY. PER PAIL	STD. CTN. QTY.
WWC-T	Tan	22-8 AWG	70	12
WWC-Y	Yellow	18-10 AWG	80	
WWC-R	Red	18-8 AWG	45	
WWC-B	Blue	14-6 AWG	20	
WC-O	Orange	22-14 AWG	100	12
WC-Y	Yellow	22-10 AWG	75	
WC-R	Red	22-10 AWG	50	
WWC-T	Tan	22-8 AWG	70	
WC-O	Orange	22-14 AWG	100	12
WWC-T	Tan	22-8 AWG	70	
WWC-Y	Yellow	18-10 AWG	80	
WWC-R	Red	18-8 AWG	45	
WWC-T	Tan	22-8 AWG	40	16
WWC-Y	Yellow	18-10 AWG	50	
WWC-R	Red	18-8 AWG	30	
WWC-B	Blue	14-6 AWG	10	
WC-O	Orange	22-14 AWG	65	16
WC-Y	Yellow	22-10 AWG	45	
WC-R	Red	22-10 AWG	30	
WWC-T	Tan	22-8 AWG	40	
WC-O	Orange	22-14 AWG	60	16
WWC-T	Tan	22-8 AWG	45	
WWC-Y	Yellow	18-10 AWG	50	
WWC-R	Red	18-8 AWG	30	
WC-O	Orange	22-14 AWG	65	16
WC-Y	Yellow	22-10 AWG	45	
WC-R	Red	22-10 AWG	30	
WC-B	Blue	22-14 AWG	100	
WC-G	Gray	22-14 AWG	120	16
WC-B	Blue	22-14 AWG	100	
WC-O	Orange	22-14 AWG	65	
WC-Y	Yellow	22-10 AWG	45	

EASY-TWIST™ Push-In Wire Connectors PIWC SERIES



Example: (100) (10X100) =

100 in standard package,
1000 in standard carton.

FEATURES

- Fast, safe and reliable installation saves time and money.
- No twisting or taping of conductors required.
- Just strip the wire, insert the connector and you are done.
- One wire per opening ensures loose connections are eliminated.
- Made of strong, UL 94V-2 flame retardant polycarbonate.
- Integrated test port enables continuity testing.
- Color coded for easy identification.
- Compact design perfect for tight spaces.
- Copper, tin-plated; stainless steel spring; steel frame, zinc-plated.
- For use with 22-12 AWG solid or stranded wire.

RATINGS



UL 486C Listed Wire Connector.

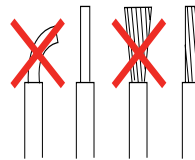
TEMPERATURE RATING:
-40 °F to 221 °F (-30 °C to 105 °C).

VOLTAGE:
600V max., 1,000V max. in fixtures
and signs.

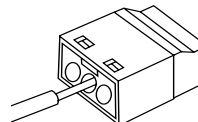


COLOR/ TYPE	NO. OF PORTS	WIRE RANGE
Yellow	2	22-12 AWG
Orange	3	22-12 AWG
Clear	4	22-12 AWG
Blue	5	22-12 AWG
Purple	6	22-12 AWG
Grey	8	22-12 AWG

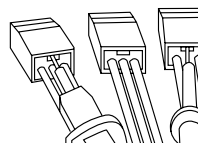
INSTALLATION



1. Turn off power. Strip wire approximately 0.45 inches (11mm).



2. Push the stripped conductor into the port of connector fully. No twisting or taping.



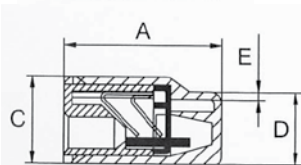
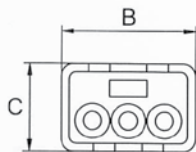
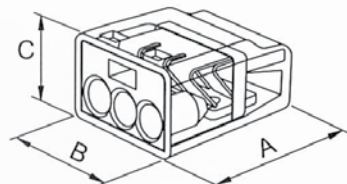
3. Use a voltage meter to test your connection via the port on connector.



Scan QR code for mobile access
to wire combinations.



MAX VOLTAGE	WIRE RANGE		CARTON	BAG
	MIN.	MAX.		
600V	2 #22 AWG	2 #12 AWG	PIWC -2-C (100) (10x100)	PIWC-2-B (500) (14x500)
600V	2 #22 AWG	3 #12 AWG	PIWC -3-C (100) (10x100)	PIWC-3-B (500) (11x500)
600V	2 #22 AWG	4 #12 AWG	PIWC -4-C (75) (10x75)	PIWC-4-B (400) (11x400)
600V	2 #22 AWG	5 #12 AWG	PIWC -5-C (50) (10x50)	PIWC-5-B (300) (12x300)
600V	2 #22 AWG	6 #12 AWG	PIWC -6-C (50) (10x50)	PIWC-6-B (250) (12x250)
600V	2 #22 AWG	8 #12 AWG	PIWC -8-C (40) (10x40)	PIWC-8-B (200) (12x200)



All Dimensional Data is listed in inches.

COLOR	DEPTH (A)	WIDTH (B)	FRONT HEIGHT (C)	REAR HEIGHT (D)	CASE THICKNESS (E)
Yellow	0.748	0.463	0.411	0.343	0.035
Orange	0.748	0.626	0.411	0.343	0.035
Clear	0.748	0.789	0.411	0.343	0.035
Blue	0.748	0.953	0.411	0.343	0.035
Purple	0.748	1.116	0.411	0.343	0.035
Black	0.748	1.443	0.411	0.343	0.035

EASY-TWIST™

Crimp Sleeve & Nylon Wire Connectors

SB, TOP & C-N SERIES

Example: (100) (10X100) =

100 in standard package,
1000 in standard carton.

FEATURES

- **COPPER CRIMP SLEEVES:** Bullet is designed for easy installation and provide an exceptional connection.
- **CLOSED END CONNECTORS:** Made from nylon 6/6 (Polyimide 66).
- **STEEL CRIMP SLEEVES:** Economical, brass-plated steel provides an excellent low resistance connection.
- UL 94V-2 self extinguishing, closed end style.

CERAMICS

- Made of high quality ceramics.
- Have excellent electrical and heat resistant properties.
- Maximum working temperature of 1,000 °F.
- For applications above 200 °F.
- Uses include appliances, high powered lighting fixtures, ceiling fans, heaters, plastic extrusion/injection molding barrels and similar high temperature applications.



COLOR / TYPE	WIRE RANGE
Copper Crimp Sleeve	18-10 AWG
Copper Crimp Sleeve	18-8 AWG
Steel Crimp Sleeve	18-10 AWG
Steel Crimp Sleeve	14-8 AWG
Ceramic, White	22-14 AWG
Ceramic, White	22-10 AWG
Ceramic, White	18-8 AWG
Nylon, Clear	22-18 AWG
Nylon, Clear	22-14 AWG
Nylon, Clear	22-10 AWG
Nylon, Clear	16-10 AWG

RATINGS

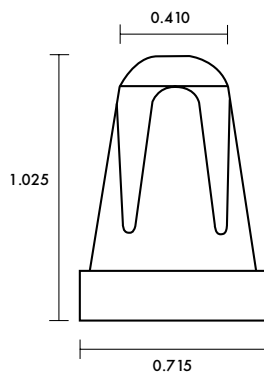


Part # SB is UL Listed
Part # C-N and C-N-B are
UL and CSA Listed

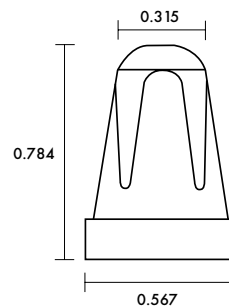
TEMPERATURE RATING:

C-N Series 105 °C (221 °F)
TOP Series 93.3333 °C (200 °F)

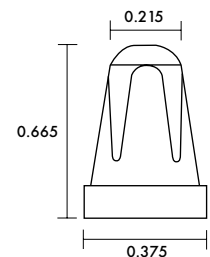
TOP-L



TOP-M



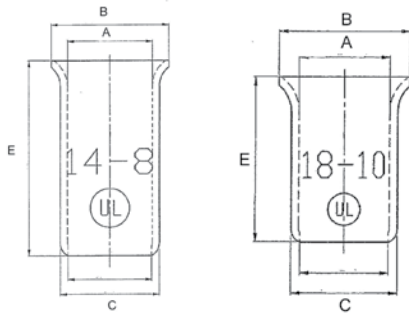
TOP-S



Scan QR code for mobile access
to wire combinations.



MAX VOLTAGE	BLISTER PACK	CARTON	BAG
-	SB1810 (100) (10x100)	-	SB1810-B (1000) (10x1000)
-	SB1808 (50) (10x50)	-	SB1808-B (500) (10x500)
-	SB1810S (100) (10x100)	-	SB1810S-B (1000) (10x1000)
-	SB1408S (50) (10x50)	-	SB1408S-B (500) (10x500)
-	TOP-S-D (15) (15x25)	TOP-S-CD (100) (10x100)	-
-	TOP-M-D (15) (15x25)	TOP-M-CD (100) (10x100)	-
-	TOP-L-D (15) (15x25)	TOP-L-CD (100) (10x100)	-
300V	-	C22-N (100) (18x100)	C22-N-B (1000) (30x1000)
300V	-	C16-N (100) (12x100)	C16-N-B (1000) (20x1000)
300V	-	C12-N (50) (12x50)	C12-N-B (1000) (10x1000)
300V	-	C8-N (40) (12x40)	C8-N-B (500) (12x500)



All Dimensional Data is listed in inches.

CAT. NO.	I.D. (A)	MAX. SKIRT ENTRY (B)	MAX. WIDTH (C)	MAX. SKIRT DEPTH (D)	LENGTH/HEIGHT (E)
SB1810	0.204	0.295	0.240	n/a	0.374
SB1808	0.263	0.364	0.307	n/a	0.610
C22-N	0.102	0.244	0.307	0.236	0.709
C16-N	0.118	0.311	0.374	0.276	0.787
C12-N	0.173	0.413	0.492	0.378	1.004
C8-N*	0.209	0.488	0.563	0.472	1.091





MINITERMS & SWITCHES

MINITERMS
Butt Splices
B SERIES

FEATURES

VINYL:

Stripped wires are inserted from each end and "butt" in the center. A crimp at each end secures the connection.

Electro tin plated copper, vinyl (PVC) 300V, 75 °C.

UN-INSULATED:

Stripped wires are inserted from each end and "butt" in the center. A crimp at each end secures the connection.

Electro tin plated copper, 600V, 105 °C.

POLYOLEFIN HS:

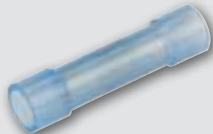
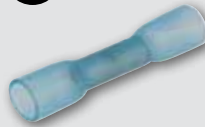
Stripped wires are inserted from each end and "butt" in the center. A crimp at each end secures the connection.

Electro tin plated copper, Heat shrink, 600V, 105 °C, Shrink temp 150 °C.

NYLON:

Stripped wires are inserted from each end and "butt" in the center. A crimp at each end secures the connection.

Electro tin plated copper, Nylon, 600V, 105 °C.



INSULATION TYPE	WIRE RANGE	CERTIFICATION VARIANCE
Vinyl	22-18	
Vinyl	16-14	
Vinyl	12-10	
Vinyl	8	UL
Vinyl	6	UL
Un-insulated - Bare	22-18	
Un-insulated - Bare	16-14	
Un-insulated - Bare	12-10	UL
Un-insulated - Bare	8	
Polyolefin HS	22-18	
Polyolefin HS	16-14	
Polyolefin HS	12-10	
Nylon	22-18	
Nylon	16-14	
Nylon	12-10	



LENGTH (IN)	"S" PACKS		PRO PACKS		STD PACKS		BULK PACKS	
	CAT. NO.	QTY	CAT. NO.	QTY	CAT. NO.	QTY	CAT. NO.	QTY
1.024	B22-V-S	25	B22-V-P	70	B22-V	100	B22-V-BULK	1000
1.024	B16-V-S	20	B16-V-P	50	B16-V	100	B16-V-BULK	1000
1.024	B12-V-S	15	B12-V-P	30	B12-V	50	B12-V-BULK	500
1.398	–	–	B8-V-P	10	B8-V	50	B8-V-BULK	250
1.855	–	–	–	–	B6-V	50	B6-V-BULK	100
0.472	–	–	–	–	B22	100	B22-BULK	1000
0.591	–	–	–	–	B16	100	B16-BULK	1000
0.591	–	–	–	–	B12	50	B12-BULK	1000
0.827	–	–	–	–	B8	50	B8-BULK	1000
0.945	–	–	–	–	SB22	25	SB22-BULK	500
1.457	–	–	–	–	SB16	25	SB16-BULK	500
1.614	–	–	–	–	SB12	50	SB12-BULK	500
1.024	–	–	–	–	B22-N	100	B22-N-BULK	1000
1.024	–	–	–	–	B16-N	100	B16-N-BULK	1000
1.063	–	–	–	–	B12-N	50	B12-N-BULK	500

**Spade Terminals:
Locking
S SERIES**

FEATURES

VINYL:

Tongue snaps around the screw & terminal is locked into place until the mounting screw can be tightened down.

Electro tin plated copper, vinyl (PVC) 300V, 75 °C.

UN-INSULATED:

Tongue snaps around the screw & terminal is locked into place until the mounting screw can be tightened down.

Electro tin plated copper, 600V, 105 °C.

NYLON:

Tongue snaps around the screw & terminal is locked into place until the mounting screw can be tightened down.

Electro tin plated copper, easy-entry Nylon, 600V, 105 °C.



INSULATION TYPE	WIRE RANGE	STUD SIZE
Vinyl	22-18	#10
Vinyl	22-18	#6
Vinyl	22-18	#8
Vinyl	16-14	#10
Vinyl	16-14	#6
Vinyl	16-14	#8
Vinyl	12-10	#10
Vinyl	12-10	#6
Vinyl	12-10	#8
Un-insulated	22-18	#10
Un-insulated	22-18	#6
Un-insulated	22-18	#8
Un-insulated	16-14	#10
Un-insulated	16-14	#6
Un-insulated	16-14	#8
Un-insulated	12-10	#10
Un-insulated	12-10	#6
Un-insulated	12-10	#8
Nylon	22-18	#8
Nylon	16-14	#10
Nylon	16-14	#6
Nylon	16-14	#8
Nylon	12-10	#10
Nylon	12-10	#8



		PRO PACKS		STD PACKS		BULK PACKS	
LENGTH (IN)	WIDTH (IN)	CAT. NO.	QTY	CAT. NO.	QTY	CAT. NO.	QTY
0.827	0.315	-	-	S22-10V-L	100	S22-10V-L-BULK	1000
0.827	0.228	-	-	S22-6V-L	100	S22-6V-L-BULK	1000
0.827	0.315	-	-	S22-8V-L	100	S22-8V-L-BULK	1000
0.866	0.335	S16-10V-L-P	85	S16-10V-L	100	S16-10V-L-BULK	1000
0.827	0.228	-	-	S16-6V-L	100	S16-6V-L-BULK	1000
0.827	0.283	S16-8V-L-P	85	S16-8V-L	50	S16-8V-L-BULK	1000
0.992	0.374	-	-	S12-10V-L	50	S12-10V-L-BULK	500
0.992	0.335	-	-	S12-6V-L	50	S12-6V-L-BULK	500
0.992	0.335	-	-	S12-8V-L	50	S12-8V-L-BULK	500
0.694	0.340	-	-	S22-10-L	100	S22-10-L-BULK	1000
0.585	0.260	-	-	S22-6-L	100	S22-6-L-BULK	1000
0.646	0.261	-	-	S22-8-L	100	S22-8-L-BULK	1000
0.694	0.340	-	-	S16-10-L	100	S16-10-L-BULK	1000
0.585	0.260	-	-	S16-6-L	100	S16-6-L-BULK	1000
0.646	0.320	-	-	S16-8-L	100	S16-8-L-BULK	1000
0.773	0.340	-	-	S12-10-L	50	S12-10-L-BULK	1000
0.664	0.260	-	-	S12-6-L	50	S12-6-L-BULK	1000
0.646	0.261	-	-	S12-8-L	50	S12-8-L-BULK	1000
0.866	0.315	-	-	S22-8N-L	100	S22-8N-L-BULK	1000
0.906	0.335	-	-	S16-10N-L	100	S16-10N-L-BULK	1000
0.866	0.328	-	-	S16-6N-L	100	S16-6N-L-BULK	1000
0.866	0.283	-	-	S16-8N-L	100	S16-8N-L-BULK	1000
1.012	0.374	-	-	S12-10N-L	50	S12-10N-L-BULK	1000
1.012	0.335	-	-	S12-8N-L	50	S12-8N-L-BULK	1000

Spade Terminals Flange & Block S SERIES

FEATURES

FLANGE SPADES VINYL:

Turned up edges give this spade more safety and reliability. Flanges give a location and locking action that aid in installation.

Electro tin plated copper, vinyl (PVC) 300V, 75 °C.

UN-INSULATED:

Electro tin plated copper, 600V, 105 °C.

NYLON:

Turned up edges give this spade more safety and reliability. Flanges give a location and locking action that aid in installation.

Electro tin plated copper, easy-entry Nylon, 600V, 105 °C.

BLOCK SPADES VINYL:

Similar tongue style to a spade, block spades have longer, flatter sides designed for use in terminal blocks.

Electro tin plated copper with brazed seam, Vinyl (PVC), 300V, 75 °C.

UN-INSULATED:

Similar tongue style to a spade, block spades have longer, flatter sides designed for use in terminal blocks.

Electro tin plated copper with brazed seam, 600V, 105 °C.

NYLON:

Similar tongue style to a spade, block spades have longer, flatter sides designed for use in terminal blocks.

Electro tin plated copper with brazed seam, easy-entry Nylon, 600V, 105 °C.



INSULATION TYPE	WIRE RANGE	STUD SIZE	CERTIFICATION VARIANCE
FLANGE SPADES			
Vinyl	22-18	#6	
Vinyl	22-18	#8	
Vinyl	16-14	#10	
Vinyl	16-14	#6	
Vinyl	16-14	#8	
Vinyl	12-10	#10	
Vinyl	12-10	#8	
Un-insulated	16-14	#10	
Un-insulated	16-14	#6	
Nylon	22-18	#6	
Nylon	16-14	#10	
Nylon	16-14	#6	
Nylon	16-14	#8	
Nylon	12-10	#10	
BLOCK SPADES			
Vinyl	22-18	#10	
Vinyl	22-18	#6	
Vinyl	22-18	#8	
Vinyl	16-14	#10	
Vinyl	16-14	#6	
Vinyl	16-14	#8	
Un-insulated	22-18	#6	
Un-insulated	22-18	#8	
Un-insulated	16-14	#10	NON-UL
Un-insulated	16-14	#6	NON-UL
Un-insulated	16-14	#8	NON-UL
Nylon	22-18	#10	
Nylon	22-18	#6	
Nylon	16-14	#10	NON-UL
Nylon	16-14	#6	
Nylon	16-14	#8	



PRO PACKS				STD PACKS		BULK PACKS	
LENGTH (IN)	WIDTH (IN)	CAT. NO.	QTY	CAT. NO.	QTY	CAT. NO.	QTY
0.836	0.301	-	-	S22-6V-F	100	S22-6V-F-BULK	1000
0.836	0.301	-	-	S22-8V-F	100	S22-8V-F-BULK	1000
0.850	0.301	-	-	S16-10V-F	100	S16-10V-F-BULK	1000
0.850	0.301	-	-	S16-6V-F	100	S16-6V-F-BULK	1000
0.850	0.301	-	-	S16-8V-F	100	S16-8V-F-BULK	1000
1.075	0.320	-	-	S12-10V-F	50	S12-10V-F-BULK	1000
1.075	0.320	-	-	S12-8V-F	50	S12-8V-F-BULK	1000
0.635	0.300	-	-	S16-10-F	100	S16-10-F-BULK	1000
0.570	0.301	-	-	S16-6-F	100	S16-6-F-BULK	1000
0.885	0.294	-	-	S22-6N-F	100	S22-6N-F-BULK	1000
0.910	0.293	-	-	S16-10N-F	100	S16-10N-F-BULK	1000
0.910	0.293	-	-	S16-6N-F	100	S16-6N-F-BULK	1000
0.908	0.294	-	-	S16-8N-F	100	S16-8N-F-BULK	1000
0.770	0.385	-	-	S12-10N-F	50	S12-10N-F-BULK	1000
0.831	0.297	-	-	S22-10V-B	100	S22-10V-B-BULK	1000
0.560	0.301	-	-	S22-6V-B	100	S22-6V-B-BULK	1000
0.822	0.296	-	-	S22-8V-B	100	S22-8V-B-BULK	1000
				S16-10V-B	100	S16-10V-BULK	1000
0.828	0.251	-	-	S16-6V-B	100	S16-6V-B-BULK	1000
0.781	0.295	-	-	S16-8V-B	100	S16-8V-B-BULK	1000
0.560	0.255	-	-	S22-6-B	100	S22-6-B-BULK	1000
0.560	0.301	-	-	S22-8-B	100	S22-8-B-BULK	1000
0.560	0.301	-	-	S16-10-B	100	S16-10-B-BULK	1000
0.736	0.332	-	-	S16-6-B	100	S16-6-B-BULK	1000
0.736	0.329	-	-	S16-8-B	100	S16-8-B-BULK	1000
0.904	0.293	-	-	S22-10N-B	100	S22-10N-B-BULK	1000
0.904	0.297	-	-	S22-6N-B	100	S22-6N-B-BULK	1000
0.556	0.305	-	-	S16-10N-B	100	S16-10N-B-BULK	1000
0.940	0.245	-	-	S16-6N-B	100	S16-6N-B-BULK	1000
0.940	0.295	-	-	S16-8N-B	100	S16-8N-B-BULK	1000

FEATURES

VINYL:

Open tongue end for rapid insertion on the mounting screw. Typically used on free-standing studs.

Electro tin plated copper, vinyl (PVC) 300V, 75 °C.



UN-INSULATED:

Open tongue end for rapid insertion on the mounting screw. Typically used on free-standing studs.

Electro tin plated copper, 600V, 105 °C.



NYLON:

Open tongue end for rapid insertion on the mounting screw. Typically used on free-standing studs.

Electro tin plated copper, easy-entry Nylon, 600V, 105 °C.



INSULATION TYPE	WIRE RANGE	STUD SIZE	CERTIFICATION VARIANCE
Vinyl	22-18	1/4	
Vinyl	22-18	#10	
Vinyl	22-18	#4	UL
Vinyl	22-18	#6	
Vinyl	22-18	#8	
Vinyl	16-14	1/4	
Vinyl	16-14	#10	
Vinyl	16-14	#6	
Vinyl	16-14	#8	
Vinyl	12-10	1/4	
Vinyl	12-10	#10	
Vinyl	12-10	#6	
Vinyl	12-10	#8	
Un-insulated	22-18	#10	UL
Un-insulated	22-18	#4	UL
Un-insulated	22-18	#6	
Un-insulated	22-18	#8	UL
Un-insulated	16-14	#10	
Un-insulated	16-14	#6	
Un-insulated	16-14	#8	UL
Un-insulated	12-10	1/4	NON-UL
Un-insulated	12-10	#10	
Un-insulated	12-10	#6	UL
Un-insulated	12-10	#8	
Un-insulated	8	1/4	NON-UL
Un-insulated	8	#10	NON-UL
Nylon	22-18	#10	UL
Nylon	22-18	#4	UL
Nylon	22-18	#6	UL
Nylon	22-18	#8	UL
Nylon	16-14	1/4	NON-UL
Nylon	16-14	#10	
Nylon	16-14	#6	
Nylon	16-14	#8	
Nylon	12-10	1/4	
Nylon	12-10	#10	
Nylon	12-10	#6	
Nylon	12-10	#8	
Nylon	8	1/4	NON-UL
Nylon	8	#10	NON-UL

		"S" PACKS		PRO PACKS		STD PACKS		BULK PACKS	
L (IN)	W (IN)	CAT. NO.	QTY	CAT. NO.	QTY	CAT. NO.	QTY	CAT. NO.	QTY
1.070	0.472	–	–	–	–	S22-14V	100	S22-14V-BULK	1000
0.826	0.374	S22-10V-S	25	S22-10V-P	100	S22-10V	100	S22-10V-BULK	1000
0.817	0.251	–	–	–	–	S22-4V	100	S22-4V-BULK	1000
0.826	0.228	S22-6V-S	25	S22-6V-P	100	S22-6V	100	S22-6V-BULK	1000
0.826	0.283	S22-8V-S	25	S22-8V-P	100	S22-8V	100	S22-8V-BULK	1000
0.812	0.543	–	–	–	–	S16-14V	100	S16-14V-BULK	1000
0.966	0.362	S16-10V-S	20	S16-10V-P	85	S16-10V	100	S16-10V-BULK	1000
0.966	0.388	S16-6V-S	20	S16-6V-P	85	S16-6V	100	S16-6V-BULK	1000
1.103	0.388	S16-8V-S	20	S16-8V-P	85	S16-8V	100	S16-8V-BULK	1000
1.103	0.375	S12-14V-S	12	S12-14V-P	40	S12-14V	50	S12-14V-BULK	500
1.103	0.375	S12-10V-S	15	S12-10V-P	50	S12-10V	50	S12-10V-BULK	500
1.103	0.375	S12-6V-S	15	S12-6V-P	50	S12-6V	50	S12-6V-BULK	500
0.690	0.316	S12-8V-S	15	S12-8V-P	50	S12-8V	50	S12-8V-BULK	500
0.623	0.251	–	–	–	–	S22-10	100	S22-10-BULK	1000
0.629	0.228	–	–	–	–	S22-4	100	S22-4-BULK	1000
0.778	0.316	–	–	–	–	S22-6	100	S22-6-BULK	1000
0.770	0.388	–	–	–	–	S22-8	100	S22-8-BULK	1000
0.638	0.245	–	–	S16-10-P	100	S16-10	100	S16-10-BULK	1000
0.635	0.295	–	–	–	–	S16-6	100	S16-6-BULK	1000
1.000	0.492	–	–	S16-8-P	100	S16-8	100	S16-8-BULK	1000
0.812	0.375	–	–	–	–	S12-14	50	S12-14-BULK	1000
0.812	0.375	–	–	–	–	S12-10	50	S12-10-BULK	1000
0.812	0.375	–	–	–	–	S12-6	50	S12-6-BULK	1000
0.953	0.471	–	–	–	–	S12-8	50	S12-8-BULK	1000
0.956	0.471	–	–	–	–	S8-14	50	S8-14-BULK	100
1.033	0.322	–	–	–	–	S8-10	50	S8-10-BULK	100
0.727	0.187	–	–	–	–	S22-10N	100	S22-10N-BULK	1000
1.031	0.319	–	–	–	–	S22-4N	100	S22-4N-BULK	1000
0.898	0.286	–	–	–	–	S22-6N	100	S22-6N-BULK	1000
1.022	0.472	–	–	–	–	S22-8N	100	S22-8N-BULK	1000
0.898	0.338	–	–	–	–	S16-14N	100	S16-14N-BULK	1000
0.855	0.255	–	–	–	–	S16-10N	100	S16-10N-BULK	1000
0.855	0.286	–	–	–	–	S16-6N	100	S16-6N-BULK	1000
1.221	0.476	–	–	–	–	S16-8N	100	S16-8N-BULK	1000
1.024	0.375	–	–	–	–	S12-14N	50	S12-14N-BULK	500
1.000	0.336	–	–	–	–	S12-10N	50	S12-10N-BULK	500
1.000	0.375	–	–	–	–	S12-6N	50	S12-6N-BULK	500
1.256	0.474	–	–	–	–	S12-8N	50	S12-8N-BULK	500
1.256	0.474	–	–	–	–	S8-14N	50	S8-14N-BULK	500
1.256	0.474	–	–	–	–	S8-10N	50	S8-10N-BULK	500

MINITERMS
Ring Terminals
Vinyl
R SERIES

FEATURES

VINYL:

Basic tongue type ring terminal. Safe and reliable connections, because it cannot be disconnected unless the screw is completely removed.

Electro tin plated copper with brazed seam, vinyl (PVC) 300V, 75 °C.



INSULATION TYPE	WIRE RANGE	STUD SIZE	CERTIFICATION VARIANCE
Vinyl	22-18	1/4	
Vinyl	22-18	5/16	UL
Vinyl	22-18	3/8	UL
Vinyl	22-18	#10	
Vinyl	22-18	#6	
Vinyl	22-18	#8	
Vinyl	16-14	1/4	
Vinyl	16-14	5/16	
Vinyl	16-14	3/8	
Vinyl	16-14	1/2	NON-UL
Vinyl	16-14	#10	
Vinyl	16-14	#6	
Vinyl	16-14	#8	
Vinyl	12-10	1/4	
Vinyl	12-10	5/16	
Vinyl	12-10	3/8	
Vinyl	12-10	1/2	
Vinyl	12-10	#10	
Vinyl	12-10	#6	
Vinyl	12-10	#8	
Vinyl	8	1/4	UL
Vinyl	8	5/16	UL
Vinyl	8	3/8	UL
Vinyl	8	1/2	UL
Vinyl	8	#10	UL



		"S" PACKS		PRO PACKS		STD PACKS		BULK PACKS	
L (IN)	W (IN)	CAT. NO.	QTY	CAT. NO.	QTY	CAT. NO.	QTY	CAT. NO.	QTY
1.055	0.456	–	---	–	–	R22-14V	100	R22-14V-BULK	1000
1.085	0.464	–	---	–	–	R22-56V	100	R22-56V-BULK	1000
1.306	0.534	–	---	–	–	R22-38V	100	R22-38V-BULK	1000
0.826	0.314	R22-10V-S	25	R22-10V-P	100	R22-10V	100	R22-10V-BULK	1000
0.826	0.314	R22-6V-S	25	–	–	R22-6V	100	R22-6V-BULK	1000
0.826	0.314	R22-8V-S	25	R22-8V-P	100	R22-8V	100	R22-8V-BULK	1000
1.062	0.472	–	---	R16-14V-P	70	R16-14V	100	R16-14V-BULK	1000
1.062	0.472	–	---	–	–	R16-56V	100	R16-56V-BULK	1000
1.208	0.535	–	---	–	–	R16-38V	100	R16-38V-BULK	1000
1.348	0.745	–	---	–	–	R16-50V	100	R16-50V-BULK	1000
0.866	0.334	R16-10V-S	25	R16-10V-P	90	R16-10V	100	R16-10V-BULK	1000
0.767	0.259	R16-6V-S	25	R16-6V-P	90	R16-6V	100	R16-6V-BULK	1000
0.866	0.334	R16-8V-S	25	R16-8V-P	90	R16-8V	100	R16-8V-BULK	1000
1.141	0.472	R12-14V-S	20	R12-14V-P	50	R12-14V	50	R12-14V-BULK	500
1.326	0.59	–	---	–	–	R12-56V	50	R12-56V-BULK	500
1.326	0.59	R12-38V-S	10	–	–	R12-38V	50	R12-38V-BULK	500
1.499	0.755	–	---	–	–	R12-50V	50	R12-50V-BULK	500
1.003	0.374	R12-10V-S	10	R12-10V-P	50	R12-10V	50	R12-10V-BULK	500
1.003	0.374	–	---	–	–	R12-6V	50	R12-6V-BULK	500
1.003	0.374	R12-8V-S	15	R12-8V-P	50	R12-8V	50	R12-8V-BULK	500
1.27	0.374	–	---	–	–	R8-14V	50	R8-14V-BULK	250
1.31	0.328	–	---	–	–	R8-56V	50	R8-56V-BULK	250
1.43	0.583	–	---	–	–	R8-38V	50	R8-38V-BULK	250
1.73	0.81	–	---	–	–	R8-50V	50	R8-50V-BULK	250
1.27	0.374	–	---	–	–	R8-10V	50	R8-10V-BULK	250

MINITERMS
Ring Terminals
Uninsulated
R SERIES

FEATURES

UN-INSULATED:

Basic tongue type ring terminal. Safe and reliable connections, because it cannot be disconnected unless the screw is completely removed.

Electro tin plated copper with brazed seam, 600V, 105 °C.



INSULATION TYPE	WIRE RANGE	STUD SIZE	CERTIFICATION VARIANCE
Un-insulated	22-18	1/4	UL
Un-insulated	22-18	5/16	UL
Un-insulated	22-18	3/8	UL
Un-insulated	22-18	#10	
Un-insulated	22-18	#6	UL
Un-insulated	22-18	#8	
Un-insulated	16-14	1/4	
Un-insulated	16-14	5/16	UL
Un-insulated	16-14	3/8	
Un-insulated	16-14	1/2	NON-UL
Un-insulated	16-14	#10	
Un-insulated	16-14	#6	UL
Un-insulated	16-14	#8	
Un-insulated	#6	1/4	UL
Un-insulated	#6	5/16	UL
Un-insulated	#6	3/8	UL
Un-insulated	#6	1/2	UL
Un-insulated	#6	#10	UL
Un-insulated	#4	1/4	UL
Un-insulated	#4	5/16	UL
Un-insulated	#4	3/8	UL
Un-insulated	#4	1/2	UL
Un-insulated	#2	1/4	UL
Un-insulated	#2	5/16	UL
Un-insulated	#2	3/8	UL
Un-insulated	#2	1/2	UL
Un-insulated	12-10	1/4	
Un-insulated	12-10	5/16	
Un-insulated	12-10	3/8	
Un-insulated	12-10	1/2	NON-UL
Un-insulated	12-10	#10	
Un-insulated	12-10	#6	UL
Un-insulated	12-10	#8	UL
Un-insulated	8	1/4	UL
Un-insulated	8	5/16	UL
Un-insulated	8	3/8	UL
Un-insulated	8	#10	UL

		PRO PACKS		STD PACKS		BULK PACKS	
LENGTH (IN)	WIDTH (IN)	CAT. NO.	QTY	CAT. NO.	QTY	CAT. NO.	QTY
0.894	0.255	–	–	R22-14	100	R22-14-BULK	1000
0.893	0.323	–	–	R22-56	100	R22-56-BULK	1000
1.097	0.38	–	–	R22-38	100	R22-38-BULK	1000
0.629	0.314	–	–	R22-10	100	R22-10-BULK	1000
0.702	0.312	–	–	R22-6	100	R22-6-BULK	1000
0.629	0.314	–	–	R22-8	100	R22-8-BULK	1000
0.866	0.472	–	–	R16-14	100	R16-14-BULK	1000
0.892	0.472	–	–	R16-56	100	R16-56-BULK	1000
1.011	0.535	–	–	R16-38	100	R16-38-BULK	1000
1.123	0.748	–	---	R16-50	100	R16-50-BULK	1000
0.669	0.334	R16-10-P	125	R16-10	100	R16-10-BULK	1000
0.704	0.313	–	–	R16-6	100	R16-6-BULK	1000
0.669	0.334	R16-8-P	125	R16-8	100	R16-8-BULK	1000
1.253	0.634	–	–	R6-14	50	R6-14-BULK	500
1.243	0.635	–	–	R6-56	50	R6-56-BULK	500
1.239	0.635	–	–	R6-38	50	R6-38-BULK	500
1.434	0.827	–	–	R6-50	50	R6-50-BULK	500
1.18	0.485	–	–	R6-10	50	R6-10-BULK	500
1.245	0.469	–	–	R4-14	25	R4-14-BULK	500
1.25	0.476	–	–	R4-56	25	R4-56-BULK	500
1.34	0.665	–	–	R4-38	25	R4-38-BULK	500
1.327	0.665	–	–	R4-50	25	R4-50-BULK	500
1.563	0.636	–	–	R2-14	25	R2-14-BULK	500
1.673	0.868	–	–	R2-56	25	R2-56-BULK	500
1.563	0.635	–	–	R2-38	25	R2-38-BULK	500
1.677	0.868	–	–	R2-50	25	R2-50-BULK	500
0.885	0.472	–	–	R12-14	50	R12-14-BULK	1000
1.07	0.59	–	–	R12-56	50	R12-56-BULK	500
1.07	0.59	–	–	R12-38	50	R12-38-BULK	500
1.284	0.755	–	–	R12-50	50	R12-50-BULK	500
0.74	0.372	R12-10-P	80	R12-10	50	R12-10-BULK	1000
0.766	0.374	–	–	R12-6	50	R12-6-BULK	500
0.766	0.376	–	–	R12-8	50	R12-8-BULK	500
0.956	0.457	–	–	R8-14	50	R8-14-BULK	500
0.952	0.471	–	–	R8-56	50	R8-56-BULK	500
1.083	0.59	–	–	R8-38	50	R8-38-BULK	500
0.955	0.47	–	–	R8-10	50	R8-10-BULK	500

MINITERMS
Ring Terminals
Nylon
R SERIES

FEATURES

NYLON:

Basic tongue type ring terminal. Safe and reliable connections, because it cannot be disconnected unless the screw is completely removed.

Electro tin plated copper with brazed seam, easy-entry Nylon, 600V, 105 °C.



INSULATION TYPE	WIRE RANGE	STUD SIZE	CERTIFICATION VARIANCE
Nylon	22-18	1/4	UL
Nylon	22-18	5/16	UL
Nylon	22-18	3/8	UL
Nylon	22-18	#10	UL
Nylon	22-18	#4	UL
Nylon	22-18	#6	
Nylon	22-18	#8	UL
Nylon	16-14	1/4	UL
Nylon	16-14	5/16	UL
Nylon	16-14	3/8	UL
Nylon	16-14	1/2	NON-UL
Nylon	16-14	#10	
Nylon	16-14	#6	UL
Nylon	16-14	#8	
Nylon	#6	1/4	UL
Nylon	#6	5/16	UL
Nylon	#6	3/8	UL
Nylon	#6	1/2	NON-UL
Nylon	#4	1/4	UL
Nylon	#4	5/16	UL
Nylon	#4	3/8	UL
Nylon	#4	1/2	UL
Nylon	#2	1/4	UL
Nylon	#2	5/16	UL
Nylon	#2	3/8	UL
Nylon	#2	1/2	NON-UL
Nylon	12-10	1/4	
Nylon	12-10	5/16	UL
Nylon	12-10	3/8	UL
Nylon	12-10	1/2	NON-UL
Nylon	12-10	#10	
Nylon	12-10	#6	UL
Nylon	12-10	#8	UL
Nylon	8	1/4	UL
Nylon	8	5/16	UL
Nylon	8	3/8	UL
Nylon	8	#10	UL

		PRO PACKS		STD PACKS		BULK PACKS	
LENGTH (IN)	WIDTH (IN)	CAT. NO.	QTY	CAT. NO.	QTY	CAT. NO.	QTY
1.094	0.456	---	---	R22-14N	100	R22-14N-BULK	1000
1.094	0.456	---	---	R22-56N	100	R22-56N-BULK	1000
1.248	0.535	---	---	R22-38N	100	R22-38N-BULK	1000
0.866	0.314	---	---	R22-10N	100	R22-10N-BULK	1000
0.953	0.264	---	---	R22-4N	100	R22-4N-BULK	1000
0.866	0.314	---	---	R22-6N	100	R22-6N-BULK	1000
0.866	0.314	---	---	R22-8N	100	R22-8N-BULK	1000
1.102	0.472	---	---	R16-14N	100	R16-14N-BULK	1000
0.807	0.529	---	---	R16-56N	100	R16-56N-BULK	1000
1.248	0.535	---	---	R16-38N	100	R16-38N-BULK	1000
1.44	0.755	---	---	R16-50N	100	R16-50N-BULK	1000
0.905	0.334	---	---	R16-10N	100	R16-10N-BULK	1000
0.995	0.31	---	---	R16-6N	100	R16-6N-BULK	1000
0.905	0.334	---	---	R16-8N	100	R16-8N-BULK	1000
1.355	0.48	---	---	R6-14N	50	R6-14N-BULK	250
1.355	0.64	---	---	R6-56N	50	R6-56N-BULK	250
1.355	0.64	---	---	R6-38N	50	R6-38N-BULK	250
1.447	0.832	---	---	R6-50N	50	R6-50N-BULK	250
1.85	0.475	---	---	R4-14N	25	R4-14N-BULK	100
1.85	0.475	---	---	R4-56N	25	R4-56N-BULK	100
1.95	0.668	---	---	R4-38N	25	R4-38N-BULK	100
1.95	0.668	---	---	R4-50N	25	R4-50N-BULK	100
1.821	0.645	---	---	R2-14N	25	R2-14N-BULK	100
1.821	0.645	---	---	R2-56N	25	R2-56N-BULK	100
1.821	0.645	---	---	R2-38N	25	R2-38N-BULK	100
2.202	0.863	---	---	R2-50N	25	R2-50N-BULK	100
1.161	0.472	---	---	R12-14N	50	R12-14N-BULK	500
1.346	0.59	---	---	R12-56N	50	R12-56N-BULK	500
1.346	0.59	---	---	R12-38N	50	R12-38N-BULK	500
1.519	0.755	---	---	R12-50N	50	R12-50N-BULK	500
1.023	0.374	---	---	R12-10N	50	R12-10N-BULK	500
1.023	0.374	---	---	R12-6N	50	R12-6N-BULK	500
1.023	0.374	---	---	R12-8N	50	R12-8N-BULK	500
1.39	0.468	---	---	R8-14N	50	R8-14N-BULK	250
1.39	0.468	---	---	R8-56N	50	R8-56N-BULK	250
1.51	0.588	---	---	R8-38N	50	R8-38N-BULK	250
1.39	0.468	---	---	R8-10N	50	R8-10N-BULK	500

MINITERMS

**Male & Female Plugs
Plier Tap and Pin Terminal,
Male/Female Adapter**
PM, PF, PTC, PT SERIES

FEATURES

**UN-INSULATED/
NYLON:**

Electro tin plated copper, nylon
600V, 75 °C.

**UN-INSULATED/
NYLON:**

Female plug style with safety &
reliability.

Electro tin plated copper, easy-entry
Nylon, 600V, 105 °C.

VINYL:

Insulation piercing tap.

Electro tin plated copper with brazed
seam, Vinyl (PVC), 600V, 75 °C

VINYL:

Pin terminal style designed for use in
terminal blocks.

Electro tin plated copper with brazed
seam, 600V, 105 °C.

UN-INSULATED:

Similar tongue style to a spade,
black spades have longer, flatter
sides designed for use in terminal
blocks.

Brass, Quick disconnect, Easy-entry,
600V, 105 °C.



STYLE	INSULATION TYPE	WIRE RANGE	STUD SIZE	CERTIFICATION VARIANCE
Plugs Male	Un-insulated	22-18	0.157	NON-UL
Plugs Male	Un-insulated	16-14	0.157	NON-UL
Plugs Male	Nylon	22-18	0.157	UL
Plugs Male	Nylon	16-14	0.157	UL
Plugs Female	Un-insulated	22-18	0.157	NON-UL
Plugs Female	Un-insulated	16-14	0.157	NON-UL
Plugs Female	Nylon	22-18	0.157	UL
Plugs Female	Nylon	22-18	0.157	NON-UL
Plugs Female	Nylon	16-14	0.157	UL
Plugs Female	Nylon	16-14	0.157	NON-UL
Plugs Female	Nylon	16-14	0.197	NON-UL
Plier Tap Connector	Vinyl	22-18	n/a	
Plier Tap Connector	Vinyl	16-14	n/a	
Plier Tap Connector	Vinyl	12-10	n/a	
Pin Terminal	Vinyl	22-18	n/a	
Pin Terminal	Vinyl	16-14	n/a	
Pin Terminal	Vinyl	12-10	n/a	
Male Female Adapter	Un-insulated	n/a	0.250	
Male Female Adapter	Un-insulated	n/a	0.250	

MINITERMS



		"S" PACKS		PRO PACKS		STD PACKS		BULK PACKS	
L (IN)	W (IN)	CAT. NO.	QTY	CAT. NO.	QTY	CAT. NO.	QTY	CAT. NO.	QTY
0.630	0.145	—	---	---	---	PM22-157	100	PM22-157-BULK	1000
0.630	0.136	—	---	---	---	PM16-157	100	PM16-157-BULK	1000
0.890	0.145	—	---	---	---	PM22-157N	100	PM22-157N-BULK	1000
0.890	0.145	—	---	---	---	PM16-157N	100	PM16-157N-BULK	1000
0.680	0.194	—	---	---	---	PF22-157	100	PF22-157-BULK	1000
0.680	0.185	—	---	---	---	PF16-157	100	PF16-157-BULK	1000
1.000	0.128	—	---	---	---	PF22-157N	100	PF22-157N-BULK	1000
1.234	0.309	—	---	---	---	PFS22-157N	100	PFS22-157N-BULK	1000
1.000	0.150	—	---	---	---	PF16-157N	100	PF16-157N-BULK	1000
1.233	0.339	—	---	---	---	PFS16-157N	100	PFS16-157N-BULK	1000
1.233	0.339	—	---	---	---	PFS16-197N	100	PFS16-197N-BULK	1000
0.790	0.550	—	---	---	---	PTC22-18	100	PTC22-18-BULK	500
0.790	0.550	—	---	---	---	PTC16-14	100	PTC16-14-BULK	500
0.800	0.740	—	---	---	---	PTC12-10	50	PTC12-10-BULK	250
0.930	0.078	—	---	---	---	PT-22V	100	PT-22V-BULK	1000
0.930	0.078	—	---	---	---	PT-16V	100	PT-16V-BULK	1000
1.120	0.107	—	---	---	---	PT-12V	50	PT-12V-BULK	500
0.825	0.564	—	—	---	---	250-3-Z	100	250-3-Z-BULK	1000
0.825	0.564	DMT250-3-S	15	DMT250-3-P	60	DMT250-3	100	DMT250-3-BULK	1000

MINITERMS

**High Temperature
Spade, Ring, Piggyback
& Disconnect
HT SERIES**

FEATURES

UN-INSULATED:

Spade style terminal, Nickel plated copper, brazed seam, 900 °F

UN-INSULATED:

Ring style terminal, Nickel plated copper, brazed seam, 900 °F

UN-INSULATED:

Turned up edges give this spade more safety and reliability.

UN-INSULATED:

Male disconnect

UN-INSULATED:

Female flag style terminal

UN-INSULATED:

Similar tongue style to a spade, block spades have longer, flatter sides designed for use in terminal blocks.

Female quick disconnect with brazed seam, 600V, 105 °C.



STYLE	INSULATION TYPE	WIRE RANGE	STUD SIZE	CERTIFICATION VARIANCE
Spade	Un-insulated	12-10	#10	
Ring	Un-insulated	22-18	#10	UL
Ring	Un-insulated	22-18	#6	NON-UL
Ring	Un-insulated	22-18	#8	UL
Ring	Un-insulated	16-14	#10	UL
Ring	Un-insulated	16-14	#6	UL
Ring	Un-insulated	16-14	#8	UL
Ring	Un-insulated	12-10	1/4	NON-UL
Ring	Un-insulated	12-10	#10	UL
Ring	Un-insulated	12-10	#8	NON-UL
Piggyback	Un-insulated	16-14	0.250	
Disconnect Male	Un-insulated	12-10	0.250	
Disconnect Female Flag	Un-insulated	16-14	0.250	
Disconnect Female Flag	Un-insulated	12-10	0.250	
Disconnect Female	Un-insulated	16-14	0.250	
Disconnect Female	Un-insulated	12-10	0.250	
Disconnect Female	Un-insulated	8	0.250	

MINITERMS



		"S" PACKS		PRO PACKS		STD PACKS		BULK PACKS	
L (IN)	W (IN)	CAT. NO.	QTY	CAT. NO.	QTY	CAT. NO.	QTY	CAT. NO.	QTY
0.499	0.384	HTS12-10-S	15	–	–	–	–	HTS12-10-BULK	1000
0.443	0.325	–	–	–	–	HTR22-10	100	HTR22-10-BULK	1000
0.443	0.270	–	–	–	–	HTR22-6	100	HTR22-6-BULK	1000
0.411	0.270	–	–	–	–	HTR22-8	100	HTR22-8-BULK	1000
0.450	0.384	–	–	HTR16-10-P	100	HTR16-10	100	HTR16-10-BULK	1000
0.470	0.345	–	–	–	–	HTR16-6	100	HTR16-6-BULK	1000
0.444	0.390	–	–	–	–	HTR16-8	100	HTR16-8-BULK	1000
0.616	0.482	–	–	–	–	HTR12-14	50	HTR12-14-BULK	1000
0.530	0.384	–	–	HTR12-10-P	60	HTR12-10	50	HTR12-10-BULK	1000
0.530	0.384	–	–	–	–	HTR12-8	50	HTR12-8-BULK	1000
0.625	0.291	–	–	–	–	HTP16-250-3	–	HTP16-250-3-BULK	1000
0.685	0.250	–	–	–	–	HTM12-250-3	50	HTM12-250-3-BULK	1000
0.506	0.312	–	–	HTSF16-250-3-P	60	HTSF16-250-3	60	HTSF16-250-3-BULK	1000
0.587	0.294	–	–	HTSF12-250-3-P	50	HTSF12-250-3	50	HTSF12-250-3-BULK	1000
0.500	0.250	HTF16-250-3-S	15	HTF16-250-3-P	60	HTF16-250-3	50	HTF16-250-3-BULK	1000
0.690	0.304	HTF12-250-3-S	15	–	–	–	–	HTF12-250-3-BULK	500
0.715	0.304	–	–	HTF8-250-3-P	–	HTF8-250-3	25	HTF8-250-3-BULK	1000

**Male Disconnects:
Fully Insulated & Male/
Female Adapter**

M, IM, FCT SERIES

FEATURES

VINYL:

Electro tin plated, vinyl (PVC) 300V, 75 °C. Brazed seam, Male disconnect

UN-INSULATED:

Electro tin plated copper, 600V, 105 °C. Brazed seam, Male disconnect

NYLON:

Fully insulated male disconnect. Brazed seam, nylon, 300V, 105 °C.

UN-INSULATED-BARE:

Turned up edges give this quick disconnect adaptor more safety and reliability. 600V, 105 °C.



STYLE	INSULATION TYPE	WIRE RANGE	STUD SIZE	CERTIFICATION VARIANCE
Male Fully Insulated Barrel	Vinyl	22-18	0.250	
Male Fully Insulated Barrel	Vinyl	16-14	0.187	
Male Fully Insulated Barrel	Vinyl	16-14	0.250	
Male Fully Insulated Barrel	Vinyl	12-10	0.250	
Un-Insulated Male Barrel	Un-insulated	16-14	0.187	NON-UL
Un-Insulated Male Barrel	Un-insulated	16-14	0.250	NON-UL
Un-Insulated Male Barrel	Un-insulated	12-10	0.250	NON-UL
Male Fully Insulated	Nylon	22-18	0.250	
Male Fully Insulated	Nylon	22-18	0.250	UL
Male Fully Insulated	Nylon	16-14	0.187	
Male Fully Insulated	Nylon	16-14	0.250	
Male Fully Insulated	Nylon	16-14	0.250	
Male Fully Insulated	Nylon	12-10	0.250	
Male Fully Insulated	Nylon	12-10	0.250	UL
Male/Female Adapter	Un-insulated	12-10	0.250	



		"S" PACKS		PRO PACKS		STD PACKS		BULK PACKS	
L (IN)	W (IN)	CAT. NO.	QTY	CAT. NO.	QTY	CAT. NO.	QTY	CAT. NO.	QTY
0.834	0.249	M22-250-3V-S	25	–	–	M22-250-3V	100	M22-250-3V-BULK	1000
0.755	0.188	–	–	–	–	M16-187-2V	100	M16-187-2V-BULK	1000
0.834	0.249	M16-250-3V-S	30	M16-250-3V-P	100	M16-250-3V	100	M16-250-3V-BULK	1000
0.933	0.249	M12-250-3V-S	25	M12-250-3V-P	50	M12-250-3V	50	M12-250-3V-BULK	500
0.630	0.240	–	–	–	–	M16-187-2	100	M16-187-2-BULK	1000
0.630	0.240	–	–	–	–	M16-250-3	100	M16-250-3-BULK	1000
0.765	0.250	–	–	–	–	M12-250-3	50	M12-250-3-BULK	1000
0.925	0.249	–	–	–	–	IM22-250-3N	100	IM22-250-3N-BULK	1000
0.904	0.249	–	–	–	–	M22-250-3N	100	M22-250-3N-BULK	1000
0.795	0.188	–	–	–	–	M16-187-2N	100	M16-187-2N-BULK	1000
0.925	0.249	IM16-250-3N-S	20	IM16-250-3N-P	30	IM16-250-3N	50	IM16-250-3N-BULK	1000
0.874	0.249	–	–	–	–	M16-250-3N	100	M16-250-3N-BULK	1000
1.062	0.249	–	–	–	–	IM12-250-3N	50	IM12-250-3N-BULK	500
1.061	0.249	–	–	–	–	M12-250-3N	50	M12-250-3N-BULK	500
0.529	0.549	FCT12-250-3-S	10	–	–	FCT12-250-3	50	FCT12-250-3-BULK	1000

**Female Disconnects:
Piggyback, Sleeved Barrel
& Fully Insulated**
P, IFS, IF SERIES

FEATURES

**VINYL/
UN-INSULATED/
NYLON:**

Electro tin plated copper,
600V, 105 °C, Vinyl



NYLON:

Electro tin plated copper,
600V, 105 °C, Nylon, Female
fully insulated quick disconnect
with seamed barrel.



NYLON:

Female, fully insulated quick
disconnect with brazed seam
600V, 105 °C, Nylon



STYLE	INSULATION TYPE	WIRE RANGE	STUD SIZE	CERTIFICATION VARIANCE
Female Piggyback	Vinyl	22-18	0.250	
Female Piggyback	Vinyl	16-14	0.250	
Female Piggyback	Vinyl	12-10	0.250	UL
Female Piggyback	Un-insulated	16-14	0.250	
Female Piggyback	Nylon	22-18	0.250	
Female Piggyback	Nylon	16-14	0.250	
Female Fully Insulated Sleeved Barrel	Nylon	22-18	0.110	
Female Fully Insulated Sleeved Barrel	Nylon	22-18	0.110	
Female Fully Insulated Sleeved Barrel	Nylon	22-18	0.250	
Female Fully Insulated Sleeved Barrel	Nylon	16-14	0.250	
Female Fully Insulated Sleeved Barrel	Nylon	12-10	0.250	
Female Fully Insulated	Nylon	22-18	0.110	UL
Female Fully Insulated	Nylon	22-18	0.110	UL
Female Fully Insulated	Nylon	22-18	0.187	UL
Female Fully Insulated	Nylon	22-18	0.187	UL
Female Fully Insulated	Nylon	22-18	0.250	
Female Fully Insulated	Nylon	16-14	0.187	
Female Fully Insulated	Nylon	16-14	0.187	UL
Female Fully Insulated	Nylon	16-14	0.250	
Female Fully Insulated	Nylon	16-14	0.250	NON-UL
Female Fully Insulated	Nylon	12-10	0.250	





		"S" PACKS		PRO PACKS		STD PACKS		BULK PACKS	
L (IN)	W (IN)	CAT. NO.	QTY	CAT. NO.	QTY	CAT. NO.	QTY	CAT. NO.	QTY
0.826	0.259	-	-	-	-	P22-250-3V	100	P22-250-3V-BULK	1000
0.826	0.259	P16-250-3V-S	15	P16-250-3V-P	40	P16-250-3V	100	P16-250-3V-BULK	1000
1.010	0.250	-	-	-	-	P12-250-3V	50	P12-250-3V-BULK	500
0.677	0.295	-	---	-	---	P16-250-3	100	P16-250-3-BULK	1000
0.866	0.259	-	-	-	---	P22-250-3N	100	P22-250-3N-BULK	1000
0.866	0.259	-	-	-	-	P16-250-3N	100	P16-250-3N-BULK	1000
0.800	0.230	-	-	-	-	IFS22-110-2N	100	IFS22-110-2N-BULK	1000
0.800	0.230	-	-	-	-	IFS22-110-3N	100	IFS22-110-3N-BULK	1000
0.890	0.380	-	-	-	-	IFS22-250-3N	100	IFS22-250-3N-BULK	1000
0.890	0.380	-	-	-	-	IFS16-250-3N	100	IFS16-250-3N-BULK	1000
1.040	0.380	-	-	-	-	IFS12-250-3N	50	IFS12-250-3N-BULK	500
0.800	0.230	-	-	-	-	IF22-110-2N	100	IF22-110-2N-BULK	1000
0.800	0.230	-	-	-	-	IF22-110-3N	100	IF22-110-3N-BULK	1000
0.780	0.320	-	-	-	-	IF22-187-2N	100	IF22-187-2N-BULK	1000
0.780	0.320	-	-	-	-	IF22-187-3N	100	IF22-187-3N-BULK	1000
0.866	0.259	-	-	-	-	IF22-250-3N	100	IF22-250-3N-BULK	1000
0.780	0.320	-	-	-	-	IF16-187-2N	100	IF16-187-2N-BULK	1000
0.780	0.320	-	-	-	-	IF16-187-3N	100	IF16-187-3N-BULK	1000
0.866	0.259	IF16-250-3N-S	12	IF16-250-3N-P	50	IF16-250-3N	100	IF16-250-3N-BULK	1000
0.955	0.395	IF16-250-3N-IG-S	10	-	-	IF16-250-3N-IG	100	IF16-250-3N-IG-BULK	1000
0.964	0.259	IF12-250-3N-S	12	IF12-250-3N-P	30	IF12-250-3N	50	IF12-250-3N-BULK	500

MINITERMS

Female Flag & Fully Insulated Flag, Two-Way Receptacle

IFL, SF, DFR SERIES

FEATURES

NYLON:

Electro tin plated copper, 600V, 105 °C. Female flag style fully insulated quick disconnect

UN-INSULATED:

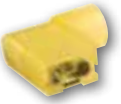
Electro tin plated copper, 600V, 105 °C.

NYLON:

Turned up edges give this splice more safety and reliability. 600V, 105 °C.



STYLE	INSULATION TYPE	WIRE RANGE	STUD SIZE	CERTIFICATION VARIANCE
Female Flag Fully Insulated	Nylon	22-18	0.250	
Female Flag Fully Insulated	Nylon	16-14	0.250	
Female Flag Fully Insulated	Nylon	12-10	0.250	
Female Flag	Un-insulated	22-18	0.250	UL
Female Flag	Un-insulated	16-14	0.187	UL
Female Flag	Un-insulated	16-14	0.250	
Female Flag	Un-insulated	12-10	0.250	
Female Flag	Un-insulated	12-10	0.250	NON-UL
2 Way Receptacle	Nylon	n/a	0.157	



		"S" PACKS		PRO PACKS		STD PACKS		BULK PACKS	
L (IN)	W (IN)	CAT. NO.	QTY	CAT. NO.	QTY	CAT. NO.	QTY	CAT. NO.	QTY
0.630	0.236	–	–	–	–	IFL22-250-3N	100	IFL22-250-3N-BULK	1000
0.630	0.390	–	–	–	–	IFL16-250-3N	100	IFL16-250-3N-BULK	1000
0.667	0.311	IFL12-250-3N-S	12	IFL12-250-3N-P	30	IFL12-250-3N	50	IFL12-250-3N-BULK	500
0.539	0.312	–	–	–	–	SF22-250-3	100	SF22-250-3-BULK	1000
0.539	0.312	–	–	SF16-187-2-P	–	SF16-187-2	100	SF16-187-2-BULK	1000
0.539	0.312	SF16-250-3-S	20	–	–	SF16-250-3	100	SF16-250-3-BULK	1000
0.582	0.259	SF12-250-3-S	15	–	–	SF12-250-3	50	SF12-250-3-BULK	1000
0.570	0.320	–	–	–	–	SF12-250-3-SP	50	SF12-250-3-SP-BULK	1000
–	–	–	–	–	–	DFR-157N	100	DFR-157N-BULK	1000

MINITERMS
Female Disconnects
F SERIES

FEATURES

VINYL:

Electro tin plated copper, 600V, 105 °C. Female, quick disconnect, Vinyl



UN-INSULATED-BARE:

Electro tin plated copper, 600V, 105 °C. Female quick disconnect



NYLON:

Turned up edges give this disconnect more safety and reliability. 600V, 105 °C, Nylon



STYLE	INSULATION TYPE	WIRE RANGE	STUD SIZE	CERTIFICATION VARIANCE
Female	Vinyl	22-18	0.110	
Female	Vinyl	22-18	0.110	UL
Female	Vinyl	22-18	0.187	
Female	Vinyl	22-18	0.187	UL
Female	Vinyl	22-18	0.250	
Female	Vinyl	16-14	0.110	UL
Female	Vinyl	16-14	0.110	UL
Female	Vinyl	16-14	0.187	
Female	Vinyl	16-14	0.187	
Female	Vinyl	16-14	0.250	
Female	Vinyl	12-10	0.250	
Female	Un-insulated	22-18	0.110	UL
Female	Un-insulated	22-18	0.110	UL
Female	Un-insulated	22-18	0.187	UL
Female	Un-insulated	22-18	0.187	UL
Female	Un-insulated	22-18	0.250	
Female	Un-insulated	16-14	0.110	UL
Female	Un-insulated	16-14	0.110	
Female	Un-insulated	16-14	0.187	UL
Female	Un-insulated	16-14	0.187	UL
Female	Un-insulated	16-14	0.250	
Female	Un-insulated	12-10	0.250	
Female	Un-insulated	8	0.250	NON-UL
Female	Nylon	22-18	0.110	NON-UL
Female	Nylon	22-18	0.110	UL
Female	Nylon	22-18	0.187	UL
Female	Nylon	22-18	0.187	UL
Female	Nylon	22-18	0.250	
Female	Nylon	16-14	0.110	UL
Female	Nylon	16-14	0.110	UL
Female	Nylon	16-14	0.187	UL
Female	Nylon	16-14	0.187	
Female	Nylon	16-14	0.250	
Female	Nylon	12-10	0.250	

"S" PACKS

PRO PACKS

STD PACKS

BULK PACKS

L (IN)	W (IN)	CAT. NO.	QTY	CAT. NO.	QTY	CAT. NO.	QTY	CAT. NO.	QTY
0.728	0.125	-	-	-	-	F22-110-2V	100	F22-110-2V-BULK	1000
0.789	0.170	-	-	-	-	F22-110-3V	100	F22-110-3V-BULK	1000
0.748	0.196	-	-	-	-	F22-187-2V	100	F22-187-2V-BULK	1000
0.789	0.250	-	-	-	-	F22-187-3V	100	F22-187-3V-BULK	1000
0.826	0.259	F22-250-3V-S	25	F22-250-3V-P	80	F22-250-3V	100	F22-250-3V-BULK	1000
0.789	0.170	-	-	-	-	F16-110-2V	100	F16-110-2V-BULK	1000
0.789	0.170	-	-	-	-	F16-110-3V	100	F16-110-3V-BULK	1000
0.748	0.196	F16-187-2V-S	25	-	-	F16-187-2V	100	F16-187-2V-BULK	1000
0.748	0.196	-	-	-	-	F16-187-3V	100	F16-187-3V-BULK	1000
0.826	0.259	F16-250-3V-S	25	F16-250-3V-P	70	F16-250-3V	100	F16-250-3V-BULK	1000
0.925	0.259	F12-250-3V-S	-	F12-250-3V-P	50	F12-250-3V	50	F12-250-3V-BULK	500
0.550	0.150	-	-	-	-	F22-110-2	100	F22-110-2-BULK	1000
0.554	0.150	-	-	-	-	F22-110-3	100	F22-110-3-BULK	1000
0.565	0.233	-	-	-	-	F22-187-2	100	F22-187-2-BULK	1000
0.565	0.233	-	-	-	-	F22-187-3	100	F22-187-3-BULK	1000
0.629	0.259	-	-	F22-250-3-P	100	F22-250-3	100	F22-250-3-BULK	1000
0.557	0.149	-	-	-	-	F16-110-2	100	F16-110-2-BULK	1000
0.531	0.125	-	-	-	-	F16-110-3	100	F16-110-3-BULK	1000
0.556	0.233	-	-	-	-	F16-187-2	100	F16-187-2-BULK	1000
0.559	0.233	-	-	-	-	F16-187-3	100	F16-187-3-BULK	1000
0.629	0.259	-	-	F16-250-3-P	125	F16-250-3	100	F16-250-3-BULK	1000
0.669	0.259	-	-	-	-	F12-250-3	50	F12-250-3-BULK	500
0.665	0.320	-	-	-	-	F8-250-3	50	F8-250-3-BULK	1000
0.789	0.163	-	-	-	-	F22-110-2N	100	F22-110-2N-BULK	1000
0.789	0.210	-	-	-	-	F22-110-3N	100	F22-110-3N-BULK	1000
0.789	0.125	-	-	-	-	F22-187-2N	100	F22-187-2N-BULK	1000
0.789	0.125	-	-	-	-	F22-187-3N	100	F22-187-3N-BULK	1000
0.866	0.259	-	-	-	-	F22-250-3N	100	F22-250-3N-BULK	1000
0.789	0.163	-	-	-	-	F16-110-2N	100	F16-110-2N-BULK	1000
0.789	0.163	-	-	-	-	F16-110-3N	100	F16-110-3N-BULK	1000
0.789	0.238	-	-	-	-	F16-187-2N	100	F16-187-2N-BULK	1000
0.787	0.196	-	-	-	-	F16-187-3N	100	F16-187-3N-BULK	1000
0.866	0.259	-	-	-	-	F16-250-3N	100	F16-250-3N-BULK	1000
0.944	0.259	-	-	-	-	F12-250-3N	50	F12-250-3N-BULK	500

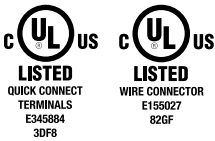
MINITERMS
Vinyl Insulated
Miniterm Kit
MTK, MTK-2

FEATURES

- These kits have been carefully designed to include the most popular NSi miniterm terminals.
- Cases are made of extremely durable polypropylene.
- Kits provide the ultimate in organization and convenience.
- Clearly labeled on the inside lid for easy recognition.
- Convenient size for easy carrying and easy storing.
- Product number ending in "V" is vinyl insulated.
- Reusable.
- Crimping tool included with MTK-2



RATINGS



Vinyl Insulated: 300V, 75 °C.
Nylon Insulated: 600V, 105 °C.

CAT. NO.	KIT CONTENTS						STD. CTN. QTY.
	PART NO.	QTY.	PART NO.	QTY.	PART NO.	QTY.	
MTK	R22-6V	40	F22-250-3V	40	S22-6V	40	12
	R22-10V	40	F16-250-3V	35	S22-10V	35	
	R16-6V	30	F12-250-3V	20	S16-6V	20	
	R16-10V	30	B22-V	35	S16-10V	35	
	R12-8V	20	B16-V	25	S12-8V	25	
	R12-14V	20	B12-V	15	S12-14V	15	
MTK-2	R22-6V	10	S22-8V	10	B22-V	10	12
	R22-8V	10	S22-10V	10	B16-V	10	
	R22-10V	10	S16-8V	10	B12-V	10	
	R16-6V	10	S16-10V	10	F22-250-3V	10	
	R16-8V	10	S12-10V	5	F16-250-3V	10	
	R16-10V	10	M22-250-3V	10	Crimping tool included	1	
	R12-10V	5	M16-250-3V	10			

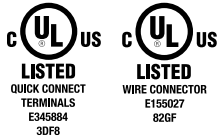
MINITERMS
Vinyl Insulated
Miniterm Kit
MTKL-100



FEATURES

- These kits have been carefully designed to include the most popular NSi miniterm terminals.
- Cases are made of extremely durable polypropylene.
- Kits provide the ultimate in organization and convenience.
- Clearly labeled on the inside lid for easy recognition.
- Convenient size for easy carrying and easy storing.
- Product number ending in "V" is vinyl insulated.
- Product number ending in "N" is nylon insulated.
- Reusable.
- Crimping tool included.

RATINGS



CAT. NO.	KIT CONTENTS						STD. CTN. QTY.
	PART NO.	QTY.	PART NO.	QTY.	PART NO.	QTY.	
MTKL-100	TL-5-1	1	C12-N	2	M12-250-3V	2	5
	R12-10V	5	C16-N	4	M16-250-3V	2	
	R16-10V	10	C2-N	5	M22-250-3V	2	
	R22-10V	10	B12-V	6	F12-250-3V	2	
	S12-10V	5	B16-V	10	F16-250-3V	2	
	S16-10V	10	B22-V	10	F22-250-3V	2	
	S22-10V	10					

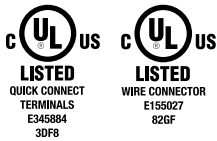
MINITERMS
Vinyl Insulated
Miniterm Kit
MTK-175



FEATURES

- These kits have been carefully designed to include the most popular NSi miniterm terminals.
- Cases are made of extremely durable polypropylene.
- Kits provide the ultimate in organization and convenience.
- Clearly labeled on the inside lid for easy recognition.
- Convenient size for easy carrying and easy storing.
- Product number ending in "V" is vinyl insulated.
- Reusable.

RATINGS



Vinyl Insulated: 300V, 75 °C.
Nylon Insulated: 600V, 105 °C.

CAT. NO.	KIT CONTENTS						STD. CTN. QTY.
	PART NO.	QTY.	PART NO.	QTY.	PART NO.	QTY.	
MTK-175	B12-V	4	R16-6V	11	S16-10V	11	5
	B16-V	11	R16-8V	11	S22-8V	11	
	B22-V	11	R16-10V	11	S22-10V	11	
	R12-10V	4	R16-14V	9	M16-250-3V	11	
	R12-38V	4	S16-6V	11	F16-250-3V	11	
	R22-10V	11	S16-8V	11	F22-250-3V	11	

MINITERMS
Vinyl Insulated
Miniterm Kit
 MTK-2218, MTK-1614, MTK-1210

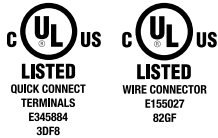


FEATURES

- These kits have been carefully designed to include the most popular NSi miniterm terminals.
- Cases are made of extremely durable polypropylene.
- Kits provide the ultimate in organization and convenience.
- Clearly labeled on the inside lid for easy recognition.
- Convenient size for easy carrying and easy storing.
- Product number ending in "V" is vinyl insulated.
- Product number ending in "N" is nylon insulated.
- Reusable.



RATINGS



CAT. NO.	FIG. NO.	KIT CONTENTS						STD. CTN. QTY.
		PART NO.	QTY.	PART NO.	QTY.	PART NO.	QTY.	
MTK-2218	1	R22-6V	6	S22-8V	6	IF22-250-3V	2	10
	1	R22-8V	6	B22-V	6	M22-250-3V	6	
	1	S22-6V	6	IM22-250-3V	2	F22-250-3V	6	
MTK-1614	2	R16-6V	6	F16-250-3V	6	B16-V	6	10
	2	R16-8V	6	S16-6V	6	IM16-250-3N	3	
	2	M16-250-3V	6	S16-8V	6	IF16-250-3N	3	
MTK-1210	3	R12-8V	4	F12-250-3V	4	B12-V	4	10
	3	R12-14V	2	M12-250-3V	4	IM12-250-3N	2	
	3	R12-38V	2	S12-8V	4	IF12-250-3N	2	

MINITERMS

Push-On & Compressor (With Wire) Terminal Kit

CTK-1, NSi 33-12

FEATURES

Push-On

- Kit converts screw type terminals to push-on type.
- Contains four screws on terminal adapters.

Compressor (With Wire)

- Kit includes three color coded #10 AWG type AWM extra flexible lead wires (10" lengths).
- One end has a 0.250" by 0.032" female tab 12-10 quick disconnect, and the other is stripped at 5/16".



RATINGS

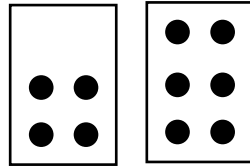
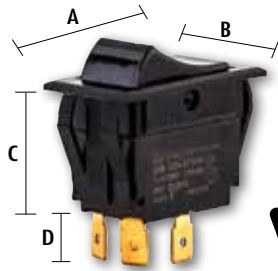


CAT. NO.	FIG. NO.	KIT CONTENTS	STD. CTN. QTY.
CTK-1	1	4 Screw type terminal adapters with 4 screws	100
NSi 33-12	2	3 color coded wires and includes three 12-10 AWG shrink tube butt connectors	1



SWITCHES

Rocker Switches

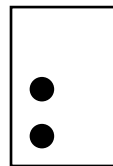
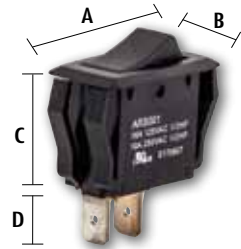


D.P.S.T D.P.D.T

Terminal Positions

CAT. NO.	CIRCUIT FUNC.	POLES & THROWS	RATINGS			VOLTAGE	LAMP COLOR	ACTR. CONTACT	CONN. TYPE	STD. CTN. QTY.
			AMPS 125VAC	AMPS 250VAC	HP 125-250VAC					
77010RQ	ON-OFF	DPST	20	10	1 1/2 @125, 2 @ 250	Non-Lighted	Black	Maintained	0.250 Quikconnect	5
77040RQ	ON-ON	DPDT	20	10	1 1/2 @125, 2 @ 250	Non-Lighted	Black	Maintained	0.250 Quikconnect	5
77060RQ	ON-OFF-ON	DPDT	20	10	1 1/2 @125, 2 @ 250	Non-Lighted	Black	Maintained	0.250 Quikconnect	5
77130RQ	ON-OFF-ON	DPDT	15	10	3/4	Non-Lighted	Black	Momentary	0.250 Quikconnect	5

Dimensions (IN) A: 1.348 B: 0.750 C: 0.762 D: 0.422

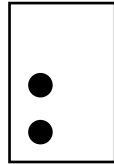
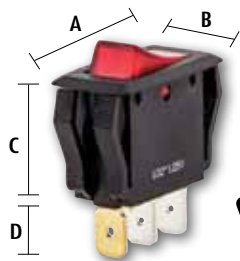


S.P.S.T

Terminal Positions

CAT. NO.	CIRCUIT FUNC.	POLES & THROWS	RATINGS			VOLTAGE	LAMP COLOR	ACTR. CONTACT	CONN. TYPE	STD. CTN. QTY.
			AMPS 125VAC	AMPS 250VAC	HP 125-250VAC					
77140RQ	ON-OFF	SPST	15	10	—	Non-Lighted	Black	Maintained	0.250 Quikconnect	5

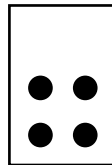
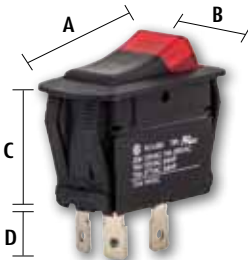
Dimensions (IN) A: 1.250 B: 0.625 C: 0.828 D: 0.406



S.P.S.T

Terminal Positions

CAT. NO.	CIRCUIT FUNC.	POLES & THROWS	RATINGS			VOLTAGE	LAMP COLOR	ACTR. CONTACT	CONN. TYPE	STD. CTN. QTY.
			AMPS 125VAC	AMPS 250VAC	HP 125-250VAC					
77150RQ	ON-OFF	SPST	15	7.5	–	–	Red	Maintained	0.250 Quikconnect	5
Dimensions (IN)		A: 1.348	B: 0.750	C: 0.762	D: 0.422					



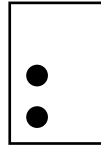
D.P.S.T

Terminal Positions

CAT. NO.	CIRCUIT FUNC.	POLES & THROWS	RATINGS			VOLTAGE	LAMP COLOR	ACTR. CONTACT	CONN. TYPE	CTN. QTY.	
			AMPS 125VAC	AMPS 250VAC	H.P 125-250VAC						
77030RQ	ON-OFF	DPST	15	10	3/4 @ 250	125V Incand.	Red	–	Maintained	0.250 Quikconnect	5
77020RQ	ON-OFF	DPST	15	10	3/4 @ 250	125V Neon	Amber	–	Maintained	0.250 Quikconnect	5
Dimensions (IN)		A: 0.426	B: 1.088	C: 0.709	D: 0.345						

SWITCHES

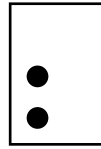
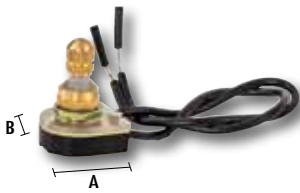
Rotary Switches & Miscellaneous



S.P.S.T

Terminal Positions

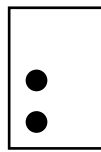
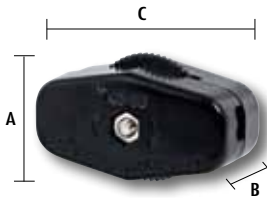
CAT. NO.	CIRCUIT FUNC.	POLES & THROWS	RATINGS			VOLTAGE	LAMP COLOR	ACTR. CONTACT	CONN. TYPE	STD. CTN. QTY.
			AMPS 125VAC	AMPS 250VAC	HP 125-250VAC					
77300RW	ON-OFF	SPST	3	1	Non-Lighted	Rotary Canopy	—	Maintained	Wire Leads	5
Dimensions (IN)		A: 0.718	B: 0.600	C: 0.265						



S.P.S.T

Terminal Positions

CAT. NO.	CIRCUIT FUNC.	POLES & THROWS	RATINGS			VOLTAGE	LAMP COLOR	ACTR. CONTACT	CONN. TYPE	STD. CTN. QTY.
			AMPS 125VAC	AMPS 250VAC	HP 125-250VAC					
77340RW	ON-OFF	SPST	6	3	Non-Lighted	Rotary Canopy	—	Maintained	Wire Leads	5
77320RW	OFF-ON-ON-ON	SPST	3	1	Non-Lighted	Rotary Canopy	—	Maintained	Wire Leads	5
Dimensions (IN)		A: 1.000	B: 0.844							



S.P.S.T

Terminal Positions

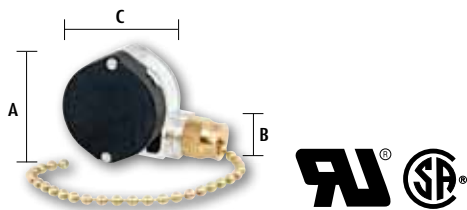
CAT. NO.	CIRCUIT FUNC.	POLES & THROWS	RATINGS			VOLTAGE	LAMP COLOR	ACTR. CONTACT	CONN. TYPE	STD. CTN. QTY.
			AMPS 125VAC	AMPS 250VAC	HP 125-250VAC					
79100MS	ON-OFF	SPST	6	3	—	—	—	Feed Through Switch	Screws	5
Dimensions (IN)		A: 0.844	B: 0.594	C: 1.375						



CAT. NO.	CIRCUIT FUNC.	POLES & THROWS	RATINGS			VOLTAGE	LAMP COLOR	ACTR. CONTACT	CONN. TYPE	STD. CTN. QTY.
			AMPS 125VAC	AMPS 250VAC	HP 125-250VAC					
79200MS	N.C. & N.O.	SPDT	5	–	–	–	–	Magnetic Feed Switch	Screws	5
Dimensions (IN) A: 2.500 B: 0.531										



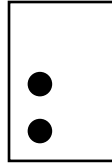
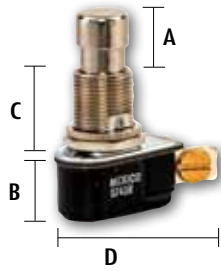
CAT. NO.	CIRCUIT FUNC.	POLES & THROWS	RATINGS			ACTUATOR STYLE	ACTUATOR MATERIAL	CONTACT	CONN. TYPE	STD. CTN. QTY.
			AMPS 125VAC	AMPS 250VAC	HP 125-250VAC					
75101CW	ON-OFF	SPST	6	3	–	Chain W/Cord	Brass	–	Wire Leads	5
75102CW	ON-OFF	SPST	6	3	–	Chain W/Cord	Nickel	–	Wire Leads	5
Dimensions (IN) A: 1.250 B: 0.781 C: 0.594										



CAT. NO.	CIRCUIT FUNC.	POLES & THROWS	RATINGS			ACTUATOR STYLE	ACTUATOR MATERIAL	CONTACT	CONN. TYPE	STD. CTN. QTY.
			AMPS 125VAC	AMPS 250VAC	HP 125-250VAC					
75110CW	Way/2 Circuit	SP3T	6	3	–	Chain W/Cord	Brass	–	Wire Leads	5
75111CQ	OFF-ON-ON-ON	SP3T	6	3	–	Chain W/Cord	Brass	–	Push In	5
Dimensions (IN) A: 1.250 B: 1.125 C: 0.742										

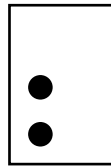
SWITCHES

Pushbutton Switches



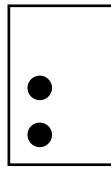
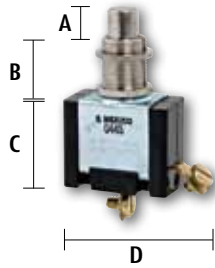
S.P.S.T
Terminal Positions

CAT. NO.	CIRCUIT FUNC.	POLES & THROWS	RATINGS			ACTUATOR STYLE	ACTUATOR MATERIAL	CONTACT	CONN. TYPE	STD. CTN. QTY.
			AMPS 125VAC	AMPS 250VAC	HP 125-250VAC					
76050PS	PUSH-ON, PUSH-OFF	SPST	6*	3*	—	Pushbutton	Brass/Nickel	Maintained	Screws	5
76040PW	PUSH ON, PUSH OFF	SPST	6	3	1/3 @125	Pushbutton	Brass/Nickel	Maintained	Wire Leads	5
Dimensions (IN)	A: 0.437	B: 0.562	C: 0.542	D: 1.183						



S.P.S.T
Terminal Positions

CAT. NO.	CIRCUIT FUNC.	POLES & THROWS	RATINGS			ACTUATOR STYLE	ACTUATOR MATERIAL	CONTACT	CONN. TYPE	STD. CTN. QTY.
			AMPS 125VAC	AMPS 250VAC	HP 125-250VAC					
76010PW	PUSH ON, PUSH OFF	SPST	10	5	1/4 @125	Pushbutton	Nylon	Maintained	Wire Leads	5
Dimensions (IN)	A: 1.003	B: 0.612	C: 0.550	D: 0.993						

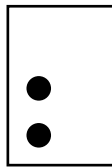
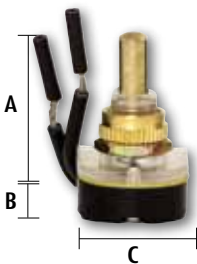


S.P.S.T

Terminal Positions



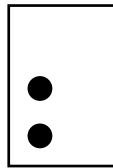
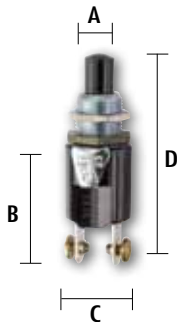
CAT. NO.	CIRCUIT FUNC.	POLES & THROWS	RATINGS			ACTUATOR STYLE	ACTUATOR MATERIAL	CONTACT	CONN. TYPE	STD. CTN. QTY.
			AMPS 125VAC	AMPS 250VAC	HP 125-250VAC					
76060PS	PUSH ON, PUSH OFF	SPST	15	10	—	Pushbutton	Brass/Nickel	Maintained	Screws	5
Dimensions (IN)		A: 0.283	B: 0.562	C: 0.982	D: 1.125					



S.P.S.T

Terminal Positions

CAT. NO.	CIRCUIT FUNC.	POLES & THROWS	RATINGS			ACTUATOR STYLE	ACTUATOR MATERIAL	CONTACT	CONN. TYPE	STD. CTN. QTY.
			AMPS 125VAC	AMPS 250VAC	HP 125-250VAC					
76055PS	ON-OFF	SPST	6	3	—	Pushbutton	Brass	Maintained	Wire Leads	1
76056PS	ON-OFF	SPST	6	3	—	Pushbutton	Nickel	Maintained	Wire Leads	1
76090PW	ON-OFF	SPST	6	3	—	Push Canopy	Brass	Maintained	Wire Leads	5
76100PW	ON-OFF	SPST	6	3	—	Push Canopy	Bickel	Maintained	Wire Leads	5
Dimensions (IN)		A: 0.968	B: 0.313	C: 0.858						



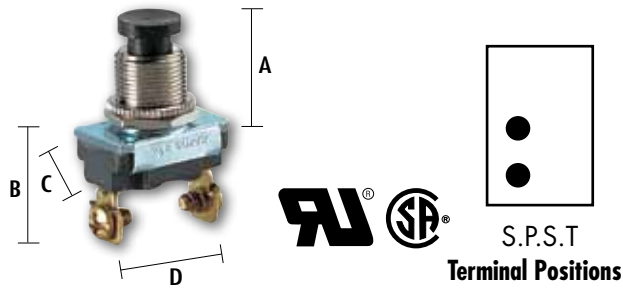
S.P.S.T

Terminal Positions

CAT. NO.	CIRCUIT FUNC.	POLES & THROWS	RATINGS			ACTUATOR STYLE	ACTUATOR MATERIAL	CONTACT	CONN. TYPE	STD. CTN. QTY.
			AMPS 125VAC	AMPS 250VAC	HP 125-250VAC					
76020PS	OFF-ON	SPST N.O.	3/4	1/4	—	Pushbutton	Nylon	Momentary	Screws	5
76030PS	ON-OFF	SPST N.C.	3/4	1/4	—	Pushbutton	Nylon	Momentary	Screws	5
Dimensions (IN)		A: 0.460	B: 1.070	C: 0.650	D: 1.950					

SWITCHES

Pushbutton Switches



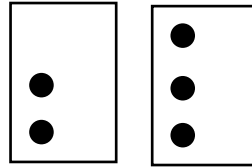
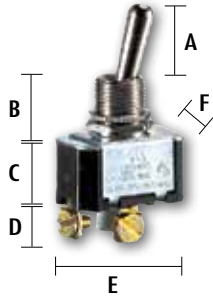
CAT. NO.	CIRCUIT FUNC.	POLES & THROWS	RATINGS			ACTUATOR STYLE	ACTUATOR MATERIAL	CONTACT	CONN. TYPE	STD. CTN. QTY.
			AMPS 125VAC	AMPS 250VAC	HP 125-250VAC					
76065PS	OFF-ON	SPST N.O.	3	–	–	Pushbutton	Plastic	Momentary	Screws	5
Dimensions (IN)	A: .689	B: 1.406	C: .563	D: .875						



CAT. NO.	CIRCUIT FUNC.	POLES & THROWS	RATINGS			ACTUATOR STYLE	ACTUATOR MATERIAL	CONTACT	CONN. TYPE	STD. CTN. QTY.
			AMPS 125VAC	AMPS 250VAC	HP 125-250VAC					
76070PS	OFF-ON	SPST N.O.	15	10	–	Pushbutton	Brass/Nickel	Momentary	Screws	5
76080PS	ON-OFF	SPST N.C.	15	10	–	Pushbutton	Brass/Nickel	Momentary	Screws	5
Dimensions (IN)	A: .576	B: .562	C: 1.382							

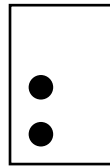
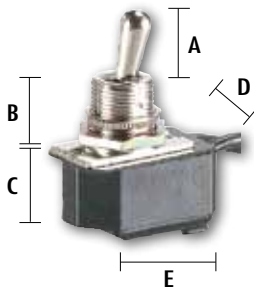
SWITCHES

Toggle Switches: Maintained Contact Single Pole



S.P.S.T S.P.D.T
Terminal Positions

CAT. NO.	CIRCUIT FUNCTIONS	POLES & THROWS	RATINGS			ACTUATOR STYLE	ACTUATOR MATERIAL	CONN. TYPE	STD. CTN. QTY.
			AMPS 125VAC	AMPS 250VAC	H.P 125-250VAC				
78110TS	OFF-ON	SPST	6	3	—	Bat	Brass/Nickel	Screws	5
78120TQ	OFF-ON	SPST	20	10	3/4	Bat	Brass/Nickel	0.250 Quikconnect	5
78210TS	OFF-ON	SPST	20	10	3/4	Bat	Brass/Nickel	Screws	5
78200TS	ON-ON	SPDT	20	10	3/4	Bat	Brass/Nickel	Screws	5
78160TS	ON-OFF-ON	SPDT	20	10	3/4	Bat	Brass/Nickel	Screws	5
78070TQ	ON-OFF-ON	SPDT	20	10	3/4	Bat	Brass/Nickel	0.250 Quikconnect	5
Dimensions (IN) A: .687 B: .465 C: .670 D: .348 E: 1.134 F: .634 THREAD: 15/32-32UNS-2A KEYWAY: .072 X .038 DP									



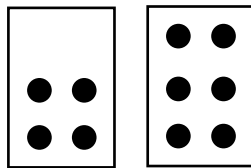
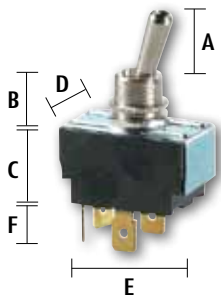
S.P.S.T
Terminal Positions

CAT. NO.	CIRCUIT FUNCTIONS	POLES & THROWS	RATINGS			ACTUATOR STYLE	ACTUATOR MATERIAL	CONN. TYPE	STD. CTN. QTY.
			AMPS 125VAC	AMPS 250VAC	H.P 125-250VAC				
78150TW	ON-OFF	SPST	10*	4*	—	Bat	Brass/Nickel	Wire Leads	5
Dimensions (IN) A: .500 B: .469 C: .685 D: 1.093 E: 1.856 THREAD: 15/32-32 STANDARD 6" WIRE LEADS									

*Amperage and voltage are also valid for D.C. Rating

SWITCHES

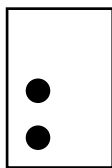
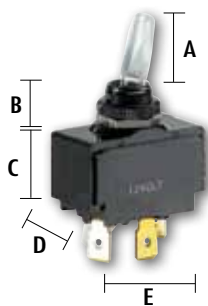
Toggle Switches: Maintained Contact Single & Double Pole



D.P.S.T D.P.D.T
Terminal Positions

CAT. NO.	CIRCUIT FUNCTIONS	POLES & THROWS	RATINGS			ACTUATOR STYLE	ACTUATOR MATERIAL	CONN. TYPE	STD. CTN. QTY.
			AMPS 125VAC	AMPS 250VAC	H.P 125-250VAC				
78220TS	ON-OFF	DPST	20	10	3/4	Bat	Brass/Nickel	Screws	5
78130TQ	ON-OFF	DPST	20	10	3/4	Bat	Brass/Nickel	0.250 Quikconnect	5
78090TQ	ON-ON	DPDT	15	10	—	Bat	Brass/Nickel	0.250 Quikconnect	5
78270TS	ON-ON	DPDT	20	10	1½@125.2@250	Bat	Brass/Nickel	Screws	5
78230TS	ON-OFF-ON	DPDT	10	20	1 1/2	Bat	Brass/Nickel	Screws	5
78240TS	OFF-ON	DPST	15	10	3/4	Bat	Brass/Nickel	Screws	5
78250TS	ON-OFF-ON	DPDT	15	10	3/4	Bat	Brass/Nickel	Screws	5
78260TS	ON-OFF-ON	DPDT	15	10	3/4	Bat	Brass/Nickel	Screws	5

Dimensions (IN) A: 0.687 B: 0.465 C: 0.778 D: 0.750 E: 1.308 F: 0.422 THREAD: 15/32-32UNS-2A KEYWAY: 0.072 X 0.038

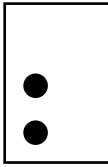
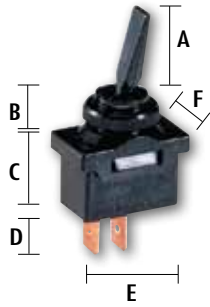


S.P.S.T
Terminal Positions

CAT. NO.	CIRCUIT FUNCTIONS	POLES & THROWS	RATINGS			ACTUATOR STYLE	ACTUATOR MATERIAL	CONN. TYPE	STD. CTN. QTY.
			AMPS 125VAC	AMPS 250VAC	H.P 125-250VAC				
78065TS	ON-OFF	SPST	6	3	—	Bat	Nickel	Screws	5
78040TQ	ON-OFF	SPST	15*	10*	3/4	Flat	Poly. (Red)**	0.250 Quikconnect	5

*Amperage and voltage are also valid for D.C. Rating /**Lighted toggle /Poly. = Polycarbonate

Dimensions (IN) A: 0.715 B: 0.379 C: 0.865 D: 0.750 E: 0.422 THREAD: 15/32-32UNS-2A KEYWAY: 0.072 X 0.038 DP



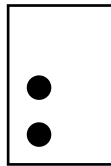
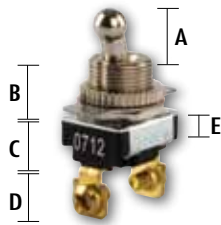
S.P.S.T

Terminal Positions



CAT. NO.	CIRCUIT FUNCTIONS	POLES & THROWS	RATINGS			ACTUATOR STYLE	ACTUATOR MATERIAL	CONN. TYPE	STD. CTN. QTY.
			AMPS 125VAC	AMPS 250VAC	H.P 125-250VAC				
78280TS	ON-OFF	SPST	16*	8*	1	Bat	Brass/Nickel	Screws	5
78015TS	ON-OFF	SPST	20	10	—	Flat	Nylon	Screws	5

Dimensions (IN) A: 0.687 B: 0.280 C: 0.687 D: 0.375 E: 1.000 F: 0.588 KEYWAY: 0.072 X 0.038

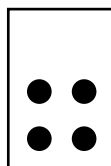
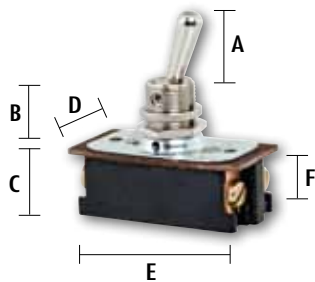


S.P.S.T

Terminal Positions

CAT. NO.	CIRCUIT FUNCTIONS	POLES & THROWS	RATINGS			ACTUATOR STYLE	ACTUATOR MATERIAL	CONN. TYPE	STD. CTN. QTY.
			AMPS 125VAC	AMPS 250VAC	H.P 125-250VAC				
78050TQ	ON-OFF	SPST	20	10	3/4	Bat	Brass/Nickel	0.250 Quikconnect	5
78130TS	ON-OFF	SPST	6	3	—	Ball	Brass/Nickel	Screws	5
78150TS	ON-OFF	SPST	20	10	3/4	Spade	Brass/Nickel	Screws	5

Dimensions (IN) A: 0.687 B: 0.465 C: 0.585 D: 0.522 E: 0.312 THREAD: 15/32-32UNS-2A KEYWAY: 0.072 X 0.038



D.P.S.T

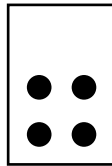
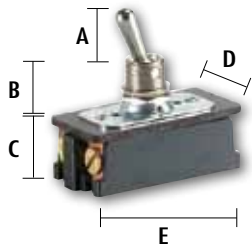
Terminal Positions

CAT. NO.	CIRCUIT FUNCTIONS	POLES & THROWS	RATINGS			ACTUATOR STYLE	ACTUATOR MATERIAL	CONN. TYPE	STD. CTN. QTY.
			AMPS 125VAC	AMPS 250VAC	H.P 125-250VAC				
78290TS	ON-OFF	DPST	16*	8*	1	Bat	Brass/Nickel	Screws	5

Dimensions (IN) A: 0.687 B: 0.465 C: 0.765 D: 0.836 E: 1.750 F: 1.764 THREAD: 15/32-32UNS-2A KEYWAY: 0.072 X 0.038

SWITCHES

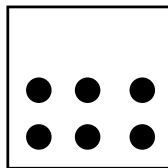
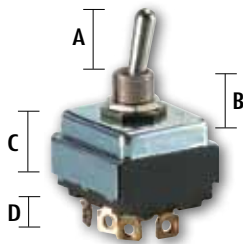
Toggle Switches



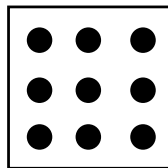
D.P.S.T

Terminal Positions

CAT. NO.	CIRCUIT FUNCTIONS	POLES & THROWS	RATINGS			ACTUATOR STYLE	ACTUATOR MATERIAL	CONN. TYPE	STD. CTN. QTY.
			AMPS 125VAC	AMPS 250VAC	H.P 125-250VAC				
78300TS	ON-OFF	DPST	20*	10*	1 1/2	Bat	Brass/Nickel	Screws	5
Dimensions (IN)	A: 0.687	B: 0.465	C: 0.895	D: 1.000	E: 2.093				



3 P.S.T



3 P.D.T

Terminal Positions

CAT. NO.	CIRCUIT FUNCTIONS	POLES & THROWS	RATINGS			ACTUATOR STYLE	ACTUATOR MATERIAL	CONN. TYPE	STD. CTN. QTY.
			AMPS 125VAC	AMPS 250VAC	H.P 125-250VAC				
78310TS	ON-OFF	3PST	15	10	3/4 @ 250	Bat	Brass/Nickel	Screws	5
78315TS	ON-OFF-ON	3PDT	15	10	3/4 @ 250	Bat	Brass/Nickel	Screws	5
Dimensions (IN)	A: 0.688	B: 0.469	C: 0.965	D: 0.300	THREAD: 15/32				



CAT. NO.	CIRCUIT FUNCTIONS	STD. CTN. QTY.
79300MS	Toggle Switch Boots	2
79300MSR	Toggle Switch Boots	2
Dimensions (IN)	A: 0.950	B: 0.812

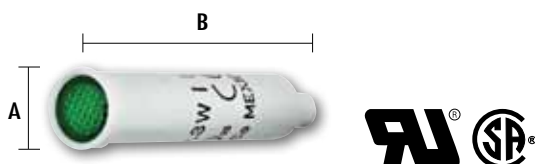
SWITCHES

Round Indicator Lights WITH NON-REPLACEABLE LAMPS



FEATURES

- High quality indicator lights made of nylon with polycarbonate lens material and neon lamps.
- 125-volt rated.
- Connection with 6 inch wire leads.
- Available in many other styles and finishes.
- Also available with incandescent lamps, contact NSi for price and delivery.



CAT. NO.	PANEL CUTOUT	PANEL THICKNESS	LENS STYLE	LENS COLOR	LENS TYPE	BEZEL COLOR	TYPE OF FIT	MTNG. HOLE DIA.	STD. CTN. QTY.
79710LW	0.312	0.030 Min.	Flush	Green	Diamond	White	Press	0.312	5
79720LW	0.312	0.030 Min.	Flush	Red	Diamond	White	Press	0.312	5
Dimensions (IN)	A: 0.130	B: 1.430	MOUNTING HOLE: 0.312		PANEL THICKNESS: 0.030 MIN.				



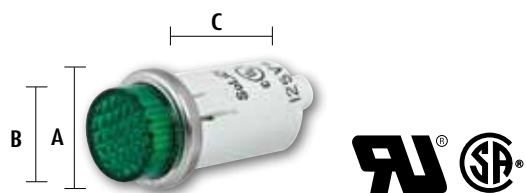
CAT. NO.	PANEL CUTOUT	PANEL THICKNESS	LENS STYLE	LENS COLOR	LENS TYPE	BEZEL COLOR	TYPE OF FIT	MTNG. HOLE DIA.	STD. CTN. QTY.
79740LW	0.500	0.030 - .093	0.09 Cyl	Green	Diamond	Stainless	Press	0.500	5
79750LW	0.500	0.030 - .093	0.09 Cyl	Red	Diamond	Chrome	Press	0.500	5
79755LW	0.500	0.030 - .093	0.09 Cyl	Amber	Diamond	Stainless	Press	0.500	5
Dimensions (IN)	A: 0.210	B: 0.100	C: 0.910	MOUNTING HOLE: 0.312		PANEL THICKNESS: 0.030 MIN.			

SWITCHES

Round & Snap-In Rectangular Indicator Lights

FEATURES

- High quality indicator lights made of nylon with polycarbonate lens material and neon lamps.
- 125-volt rated.
- Connection with 6 inch wire leads (Round Indicator lights).
- Available in many other styles and finishes.
- Also available with incandescent lamps.



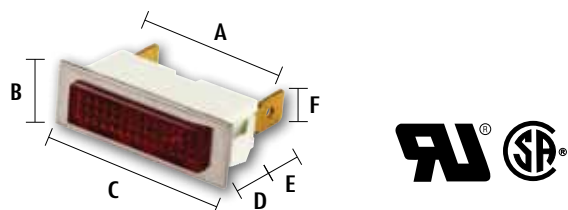
CAT. NO.	PANEL CUTOUT	PANEL THICKNESS	LENS STYLE	LENS COLOR	LENS TYPE	BEZEL COLOR	TYPE OF FIT	MTNG. HOLE DIA.	STD. CTN. QTY.
79770LW	0.500	0.030 - 0.093	0.25 Cyl	Green	Diamond	Stainless	Press	0.500	5
79780LW	0.500	0.030 - 0.093	0.25 Cyl	Red	Diamond	Stainless	Press	0.500	5
79785LW	0.500	0.030 - 0.093	0.25 Cyl	Amber	Diamond	Stainless	Press	0.500	5

Dimensions (IN) A: 0.210 B: 0.100 C: 0.910 MOUNTING HOLE: 0.500 PANEL THICKNESS: 0.030 - 0.093



CAT. NO.	PANEL CUTOUT	PANEL THICKNESS	LENS STYLE	LENS COLOR	LENS TYPE	BEZEL COLOR	TYPE OF FIT	MTNG. HOLE DIA.	STD. CTN. QTY.
79800LW	0.500	0.040 - 0.110	Semi-Dome	Red	Rings	None	Snap In	0.500	5

Dimensions (IN) A: 1.130 MOUNTING HOLE: 0.500 PANEL THICKNESS: 0.040 - 0.110

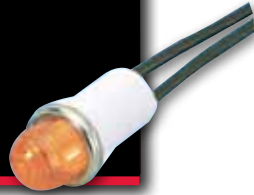


CAT. NO.	PANEL CUTOUT	PANEL THICKNESS	LENS COLOR	LENS TYPE	BEZEL COVER	CONN. TYPE	LAMP COLOR
79505LQ	0.375 x 1.28	0.03 - .10	Red	Diamond	Stainless	0.250 Quikconnect	5

Dimensions (IN) A: 1.080 B: 0.290 C: 1.380 D: 0.460 E: 0.500 F: 0.370 G: 0.120

SWITCHES

Indicator LightS & Emergency Stop Buttons



FEATURES

- Terminals are tin-plated brass.
- Wire leads are 22 AWG, 4.4-4.8" long, 1/2" stripped.
- Mounting will snap-fit into 0.500-0.505" diameter hole in 0.020-0.100" thick panels.
- Dome style.



CAT. NO.	COLOR	LENS MATERIAL	VOLTAGE	BULB TYPE	BAG QTY.	STD. CTN. QTY.
79900LW	Red	Polycarbonate	28V	Incandescent	1	12
79901LW	Green	Polycarbonate	28V	Incandescent	1	12
79902LW	Amber	Polycarbonate	28V	Incandescent	1	12
79910LW	Red	Nylon	105-125VAC	Neon	1	12
79911LW	Green	Polycarbonate	105-125VAC	Neon	1	12
79912LW	Amber	Nylon	105-125VAC	Neon	1	12
79920LW	Red	Polycarbonate	208-250 VAC	Neon	1	12
79921LW	Green	Polycarbonate	208-250 VAC	Neon	1	12
79922LW	Amber	Polycarbonate	208-250 VAC	Neon	1	12

EMERGENCY STOP BUTTON



CAT. NO.	NAED NO.	LENS COLOR	STD. CTN. QTY.
ESB2-INC-R	32132	Red	6
ESB2-INOINC-R	32136	Red	6





WIRE MANAGEMENT



EASY-WRAP™ PREMIUM 070



- 7 mil., all-weather, premium grade, pressure sensitive vinyl electrical tape.
- Cold and sunlight resistant.
- Flame retardant.
- Suitable for use in all kinds of electrical and mechanical applications.
- Provides exceptional flexibility and performance over a wide range of temperatures.
- Available in standard black and nine assorted colors for easy identification or color coding.

TEMPERATURE RATING:

Suitable for use at no more than 600V and not more than 80 °C (176 °F).

CSA temperature range: -18 °C to 105 °C (-0.4 °F to 221 °F).

CAT. NO.	COLOR	LENGTH (FT.)	WIDTH (IN.)	THICKNESS (IN.)	STD. CTN. QTY.
EWP 7066	Black	66	0.75	0.007	10
EWP 7066-1	Brown	66	0.75	0.007	10
EWP 7066-2	Red	66	0.75	0.007	10
EWP 7066-3	Orange	66	0.75	0.007	10
EWP 7066-4	Yellow	66	0.75	0.007	10
EWP 7066-5	Green	66	0.75	0.007	10
EWP 7066-6	Blue	66	0.75	0.007	10
EWP 7066-7	Purple	66	0.75	0.007	10
EWP 7066-8	Grey	66	0.75	0.007	10
EWP 7066-9	White	66	0.75	0.007	10

EASY-WRAP™ PREMIUM 085



- 8.5 mil., all-weather, premium grade, pressure sensitive vinyl electrical tape.
- Cold and sunlight resistant.
- Flame retardant.
- Suitable for use in all kinds of electrical and mechanical applications.
- Provides exceptional flexibility and performance over a wide range of temperatures.
- Available in standard black only.

TEMPERATURE RATING:

Suitable for use at no more than 600V and not more than 80 °C (176 °F).

CSA temperature range: -18 °C to 105 °C (-0.4 °F to 221 °F).

Meets MIL-I-24391C, HH-I-595C and ASTM D-3005.



CAT. NO.	COLOR	LENGTH (FT.)	WIDTH (IN.)	THICKNESS (IN.)	STD. CTN. QTY.
EWP 8566	Black	66	0.75	0.0085	10

EASY-WRAP™

General Purpose & All-Weather Corrosion Tape

EWG, EWPP SERIES



WIRE MANAGEMENT

EASY-WRAP™ GENERAL PURPOSE



- 7 mil., economy-grade, sunlight resistant, pressure sensitive vinyl electrical tape.
- Suitable for use in all kinds of electrical and mechanical applications such as cable insulation, wire bundling, and reinforcing.
- Extremely flexible with good adhesion and conformability.
- Available in standard black and nine assorted colors for easy identification or color coding.

TEMPERATURE RATING:

Suitable for use at no more than 600V and not more than 80 °C (176 °F).

CSA temperature range: -7 °C to 80 °C (19.4 °F to 176 °F).



CAT. NO.	COLOR	LENGTH (FT.)	WIDTH (IN.)	THICKNESS (IN.)	STD. CTN. QTY.
EWG 7060	Black	60	0.75	0.007	10
EWG 7060-1	Brown	60	0.75	0.007	10
EWG 7060-2	Red	60	0.75	0.007	10
EWG 7060-3	Orange	60	0.75	0.007	10
EWG 7060-4	Yellow	60	0.75	0.007	10
EWG 7060-5	Green	60	0.75	0.007	10
EWG 7060-6	Blue	60	0.75	0.007	10
EWG 7060-7	Purple	60	0.75	0.007	10
EWG 7060-8	Grey	60	0.75	0.007	10
EWG 7060-9	White	60	0.75	0.007	10
EWG 7060-10	One roll of each of the above 10 colors				1 pkg

ALL-WEATHER CORROSION (PIPE WRAP)

- Heavy duty PVC tape, manufactured with a high quality adhesive and are designed to protect pipe surfaces from corrosion, abrasion and electrolytic action.
- Indoors or outdoors, above or below ground to protect pipes, conduits, joints and fittings.
- Pliable and easy to apply.
- Outstanding protection against water, sunlight, acids, alkalis, corrosive salts and sewage.
- Excellent UV resistant.

TEMPERATURE RATING:

Temperature rated to 80 °C (176 °F).



CAT. NO.	COLOR	LENGTH (FT.)	WIDTH (IN.)	THICKNESS (IN.)	STD. CTN. QTY.
EWPP 102100P	Black	100	2	0.01	1
EWPP 102100	Black	100	2	0.01	1
EWPP 104100	Black	100	4	0.01	1
EWPP 202100	Black	100	2	0.02	1
EWPP 202100P	Black	100	2	0.02	1

*Suffix "P" denotes printed tapes.

EASY-WRAP™

Rubber Splicing, Harness Wrap, & Duct Tape

EWRT, EWWH, EWDT SERIES



EASY-WRAP™ RUBBER SPLICING

- High quality unvulcanized rubber that will bond quickly to itself to form a solid mass of watertight protection.
- Self-fusing with liner.
- Can be used as primary insulation for electrical wires and cable splices up to 600 volts.
- Conforms to irregular shapes and is flexible to withstand expansion and contraction.
- Highly resistant to salt water, steam, oils, detergents and other chemicals.

TEMPERATURE RATING:

Dielectric strength 490 Volts per mil.

Meets HH-I-553C Grade B and ASTM D-119; UL 510 listing #2C58.

CAT. NO.	COLOR	LENGTH (FT.)	WIDTH (IN.)	THICKNESS (IN.)	STD. CTN. QTY.
EWRT 3022-.75	Black	22	0.750	0.030	1
EWRT 3022-1.5	Black	22	1.500	0.030	1
EWRT 3022-2	Black	22	2.000	0.030	1

EASY-WRAP™ WIRE HARNESS WRAP

- A 5 mil PVC film, coated with a rubber adhesive for high elongation and exceptional adherence.
- Excellent conformability to the wiring harness. Matte finish.



CAT. NO.	COLOR	LENGTH (FT.)	WIDTH (IN.)	THICKNESS (IN.)	STD. CTN. QTY.
EWWH 5060	Black	60	0.750	0.005	1

DUCT TAPE

- Superior cloth duct tapes, designed to meet all industry demands and applications.
- Uniform MD/CD tear properties.



CAT. NO.	COLOR	TENSILE (IN/LBS.)	LENGTH (YD.)	WIDTH (IN.)	THICKNESS (mm.)	STD. CTN. QTY.
EWDT-8	Silver	18	55	2.000	18	1

EASY-WRAP™

Friction, Electrical Filler & Silicone Rubber Tape

EWFT, EWEF, EWSR SERIES



FRICITION TAPE

- Cloth construction offers strong mechanical protection against abrasion and penetration of cable, splices and wire.
- Coated on both sides with a rubber adhesive for adhesion to all types of surfaces.



CAT. NO.	COLOR	LENGTH (FT.)	WIDTH (IN.)	THICKNESS (IN.)	STD. CTN. QTY.
EWFT 157560	Black	60	0.750	0.015	1

EASY-WRAP™ ELECTRICAL FILLER TAPE

- Butyl based insulation is 1/8" thick for build-up.
- Easy to mold around irregular shapes.
- Self-amalgamates into solid flexible mass.
- Will not corrode copper or aluminum and highly resistant to moisture.
- Rated for applications up to 5 KV.



CAT. NO.	COLOR	LENGTH (FT.)	WIDTH (IN.)	THICKNESS (IN.)	STD. CTN. QTY.
EWEF 12155	Black	5	1.500	0.125	1

SILICONE RUBBER TAPE - 69 KV

- Self-bonding silicone rubber tape adheres to itself when wrapped under tension and fuses to form a homogeneous mass within 24 hours at room temperature or four hours at 176.6 °C (350 °F).
- No adhesive required; tape leaves no residue.
- Excellent dielectric properties.
- Waterproof and chemical resistant.
- Triangular configuration.

APPLICATIONS:

For use on applications up to 69 KV.
Meets MIL-A-A-59163.

TEMPERATURE RATING:

-53.8 °C to 204.4 (-65 °F to 400 °F).



CAT. NO.	LENGTH (FT.)	WIDTH (IN.)	THICKNESS (IN.)	STD. CTN. QTY.
EWSR 121030	30	1.000	0.120	1

EASY-WRAP™

High Voltage, Glass Cloth & Rubber Mastic Tape

EWHR, EWGC, EWMT SERIES



HIGH VOLTAGE RUBBER TAPE - 69 KV WITH WHITE LINER

- Self bonding, highly conformable 30 mil EPR rubber with liner.
- Use as primary electrical insulation for applications through 69 KV.
- Flame Retardant, IEEE Standard 17-1974 ANSI.

TEMPERATURE RATING:

Rated for 90 °C (194 °F) continuous operating temperature. Intermittent to 130 °C (266 °F). Will not crack at -40 °C (-40 °F).

CAT. NO.	LENGTH (FT.)	WIDTH (IN.)	THICKNESS (IN.)	STD. CTN. QTY.
EWHR 307530-L	30	0.750	0.030	1
EWHR 3010030-L	30	1.000	0.030	1
EWHR 3015030-L	30	1.500	0.030	1
EWHR 3020030-L	30	2.000	0.030	1

GLASS CLOTH RUBBER ADHESIVE

- Provides heat stabilized insulation for applications where resistance to high temperature and high mechanical strength are required, such as motor leads, hot spots, switches and controls.

TEMPERATURE RATING:

Insulation Class: 130 °C (266 °F).
Dielectric strength: 3,300 Volts.
MIL-I-15126F (type GFT).



CAT. NO.	LENGTH (FT.)	WIDTH (IN.)	THICKNESS (IN.)	STD. CTN. QTY.
EWGC75066	66	0.500	0.007	1
EWGC77566	66	0.750	0.007	1

LINED RUBBER MASTIC TAPE

- A self-fusing conformable electrical insulating and sealing tape.
- EPR rubber with a strong stable mastic adhesive for busbar and splice connections.

TEMPERATURE RATING:

130 °C (266 °F).



CAT. NO.	LENGTH (FT.)	WIDTH (IN.)	THICKNESS (IN.)	STD. CTN. QTY.
EWMT 1252524	2	2.500	0.125	1

WIRE MANAGEMENT

SLYDER™ LUBRICANT Slider™ Wire Lubricant



FEATURES

- Superior gel lubricant that reduces surface tension on cable to the lowest level.
- Excellent adherence to cable ensures maximum performance and easier pulls.
- Maintains its lubricity even after drying and has excellent re-wetting characteristics.
- Non-toxic and non-flame propagating and can be used as part of a fire retardant installation. Does not contain any aromatic or petroleum derivative.

CAT. NO.	DESCRIPTION	STD. CTN. QTY.
SWL-1Q	1 Quart	12
SWL-1G	1 Gallon	4
SWL-5G	5 Gallons	1

CABLE TIES Standard (Natural) Cable Ties



FEATURES

- Designed for quick and easy use.
- Strong and flexible, they can be wrapped around a bundle quickly and the tail is easily inserted into a self-locking head.
- The smaller standard size ties have bent tails to facilitate insertion by user.
- Made of high-strength Nylon 66 that resists abrasion and chemicals such as common oils, greases, solvents, dilute acids and alkalines.
- Fungus-resistant, self-extinguishing and have excellent dielectric properties.

RATINGS



LISTED
Positioning Devices
UL62275

TEMPERATURE RATINGS:

Min., -40°F to Max., 185°F (-40°C to 85°C)

IDEAL STORAGE:

23°C, Humidity 50%, Avoid storing cable ties next to warm objects

TYPE 21 AH-2:

"Suitable for use in air-handling spaces (Plenums)"

MAX. WIRE/ CABLE SIZE (L)	CAT. NO.
4"	418
	418X
	450
5"	518
	518X
	540
	540X
6"	650
	650X
7"	750
	750X
	818
	818X
8"	840
	840X
	850
	850X
	875
	8120
	8120X
11"	1140
	1140X
	1150
	1150X
	1175
	11120
14"	1450
	1450X
	1475
15"	14120
	15250
18"	1850
	18175
	18250
22"	22250
24"	24175
28"	28250
30"	30175
36"	36175
48"	48175
60"	60175



MAX BUNDLE DIAMETER	TENSILE STRENGTH	LENGTH (IN.)	WIDTH (IN.)	STD. PKG. QTY.	STD. CTN. QTY.
0.800	18 Lbs..	4.000	0.095	100	5,000
0.800	18 Lbs..	4.000	0.095	1000	5,000
0.800	50 Lbs..	4.000	0.095	100	5,000
1.430	18 Lbs..	6.000	0.095	100	5,000
1.375	18 Lbs..	5.500	0.100	1000	5,000
1.300	40 Lbs..	5.500	0.140	100	3,000
1.300	40 Lbs..	5.000	0.140	1000	3,000
1.320	50 Lbs..	6.250	0.181	100	3,000
1.320	50 Lbs..	6.300	0.181	1000	3,000
1.810	50 Lbs..	7.500	0.189	100	3,000
1.810	50 Lbs..	7.500	0.189	1000	3,000
2.060	18 Lbs..	8.000	0.095	100	3,000
2.060	18 Lbs..	8.000	0.095	1000	3,000
2.060	40 Lbs..	8.000	0.140	100	3,000
2.060	40 Lbs..	8.000	0.140	1000	3,000
1.940	50 Lbs..	8.000	0.189	100	3,000
1.940	50 Lbs..	8.000	0.189	1000	3,000
1.940	75 Lbs..	8.000	0.189	100	3000
2.000	120 Lbs..	8.000	0.300	100	2,000
2.000	120 Lbs..	8.000	0.300	1000	2,000
3.300	40 Lbs..	11.500	0.140	100	2,000
3.300	40 Lbs..	11.500	0.140	1000	2,000
2.940	50 Lbs..	11.100	0.189	100	2,000
2.940	50 Lbs..	11.100	0.189	1000	2,000
2.940	75 Lbs..	11.100	0.189	100	2,000
3.000	120 Lbs..	11.500	0.300	100	2,000
4.070	50 Lbs..	14.100	0.189	100	3,000
4.070	50 Lbs..	14.100	0.189	1000	3,000
4.070	75 Lbs..	14.100	0.189	100	3,000
4.070	120 Lbs..	14.250	0.300	100	2,000
4.375	250 Lbs..	15.000	0.500	50	500
5.070	50 Lbs..	18.000	0.189	100	2,000
5.250	175 Lbs..	17.750	0.315	50	500
5.500	250 Lbs..	18.870	0.500	50	500
6.875	250 Lbs.	22.87	0.500	50	500
7.140	175 Lbs..	24.000	0.345	50	500
8.875	250 Lbs.	28.75	0.500	50	500
9.250	175 Lbs..	30.000	0.354	50	500
11.000	175 Lbs..	36.000	0.350	50	500
15.000	175 Lbs..	48.000	0.354	50	500
18.250	175 Lbs..	59.000	0.354	50	500

CABLE TIES UV & Weather Resistant (Black) Cable Ties



FEATURES

- Made from weather resistant Nylon 66 for applications exposed to outside elements.
- UV resistant.
- Black only.

RATINGS



LISTED
Positioning Devices
UL62275

TEMPERATURE RATINGS:

Min., -40°F to Max., 185°F (-40°C to 85°C)

IDEAL STORAGE:

23°C, Humidity 50%, Avoid storing cable ties next to warm objects

TYPE 21 AH-2:

"Suitable for use in air-handling spaces (Plenums)"

MAX. WIRE/ CABLE SIZE (L)	CAT. NO.
	4180
4"	4180X
	4500
	4500X
5"	5180
	5180X
	5400
	5400X
6"	6500
7"	7500
	7500X
	8180
8"	8180X
	8400
	8400X
	8500
	8500X
	8750
	81200
11"	11400
	11500
	11500X
	11750
14"	111200
	14500
	14500X
	14750
15"	141200
	152500
18"	18500
	181750
	182500
22"	222500
24"	241750
28"	282500
30"	301750
34'	342500
36"	361750
40"	402500
48"	481750
60"	601750



MAX BUNDLE DIAMETER	TENSILE STRENGTH	LENGTH (IN.)	WIDTH (IN.)	STD. PKG. QTY.	STD. CTN. QTY.
0.800	18 Lbs	4.000	0.095	100	5,000
0.800	18 Lbs	4.000	0.095	1000	5,000
1.430	50 Lbs	6.000	0.095	100	5,000
1.375	50 Lbs	5.500	0.100	1000	5,000
1.300	18 Lbs	5.500	0.140	100	3,000
1.300	18 Lbs	5.000	0.140	1000	3,000
1.320	40 Lbs	6.250	0.181	100	3,000
1.320	40 Lbs	6.300	0.181	1000	3,000
1.810	40 Lbs	7.500	0.189	100	3,000
2.060	50 Lbs	8.000	0.095	100	3,000
2.060	50 Lbs	8.000	0.095	1000	3,000
2.060	18 Lbs	8.000	0.140	100	3,000
2.060	18 Lbs	8.000	0.140	1000	3,000
1.940	40 Lbs	8.000	0.189	100	3,000
1.940	40 Lbs	8.000	0.189	1000	3,000
2.000	50 Lbs	8.000	0.300	100	2,000
2.000	50 Lbs	8.000	0.300	1000	2,000
2.000	75 Lbs	8.000	0.300	100	2,000
3.300	120 Lbs	11.500	0.140	100	2,000
2.940	40 Lbs	11.100	0.189	100	2,000
3.125	50 Lbs	11.500	0.187	100	2,000
3.125	50 Lbs	11.500	0.187	1000	2,000
3.000	75 Lbs	11.500	0.189	100	2,000
3.000	120 Lbs	11.500	0.300	100	2,000
4.070	50 Lbs	14.100	0.189	100	3,000
4.070	50 Lbs	14.100	0.189	1000	3,000
4.070	75 Lbs	14.100	0.189	100	3,000
4.070	120 Lbs	14.250	0.300	100	2,000
4.375	250 Lbs	15.000	0.500	50	500
5.070	50 Lbs	18.000	0.189	100	2,000
5.250	175 Lbs	17.750	0.315	50	500
5.500	250 Lbs	18.870	0.500	50	500
6.875	250 Lbs.	22.87	0.500	50	500
7.140	175 Lbs	24.000	0.345	50	500
8.875	250 Lbs.	28.75	0.500	50	500
9.250	175 Lbs	30.000	0.354	50	500
10.5	250 Lbs.	34.68	0.500	50	500
11.000	175 Lbs	36.000	0.350	50	500
12.5	250 Lbs.	40.5	0.500	50	500
15.000	175 Lbs	48.000	0.354	50	500
18.250	175 Lbs	59.000	0.354	50	500

CABLE TIES

Air Handling and Push Mount Cable Ties

-P, -PM SERIES



AIR HANDLING CABLE TIES



- Air handling ties are approved for indoor use in air handling spaces other than plenums and ducts per NFPA-1993.
- Meets UL 1565 test standards. MIL spec. 3367-1, -7, -2. NEC Sec. 300-22 (C) & (D), Rules 12-010 (3), (4), and (5) and 12-020 of the Canadian Electrical code, Part 1.
- Made of high strength nylon, these ties are self-extinguishing and resist abrasions and chemicals such as oil, greases, solvents, dilute acids and alkalis.
- Burgundy in color for easy identification.

TEMPERATURE RATING:

Maximum operating temperature 85 °C (185 °F).

MAX. WIRE/ CABLE SIZE	CAT. NO.	MAX. BUNDLE DIA.	MIN. TENSILE STRENGTH	LENGTH (IN.)	WIDTH (IN.)	STD. PKG. QTY.	STD. CTN. QTY.
7"	750-P	1.750	50 Lbs.	7.500	0.180	100	5,000
11"	1150-P	3.000	50 Lbs.	11.100	0.180	100	5,000
14"	1450-P	4.000	50 Lbs.	14.200	0.180	100	5,000

PUSH MOUNT CABLE TIES



- Secure a cable tie to a back panel quickly and easily, eliminating the possibility of adhesive mount failure.
- Drill the mounting hole and insert.
- Made of high-strength Nylon 66 that resists abrasion and chemicals such as common oils, greases, solvents, dilute acids and alkalines.
- Fungus-resistant, self-extinguishing and excellent dielectric properties.

TEMPERATURE RATING:

-40 °C to 85 °C (-40 °F to 185 °F) and will withstand temperatures up to 149 °C (300.2 °F). 94V-2 flammability rating.

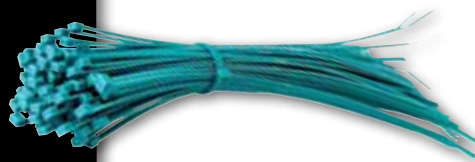


MAX. WIRE/ CABLE SIZE	CAT. NO.	MAX. BUNDLE DIA.	MIN. TENSILE STRENGTH	MTG. HOLE SIZE REQ. (IN.)	LENGTH (IN.)	WIDTH (IN.)	STD. PKG. QTY.	STD. CTN. QTY.
6"	640-PM	1.59	40 Lbs.	3/16	6.125	0.139	100	1,000

CABLE TIES

Tefzel, Marker Cable Ties

TFZ, -ID SERIES



TEFZEL CABLE TIES



- Suitable for extreme environments.
- Rated for air handling spaces and chemical, weather and radiation resistant.
- Ideal for high temperature applications, up to 150 °C (302 °F) continuous operating temperature.
- UL 94V-0 approved.
- Aqua blue in color.

TEMPERATURE RATING:

18.3 °C to 150 °C (65 °F to 302 °F).
Melting point 271.1 °C (520 °F).

TRUE PLENUM RATING

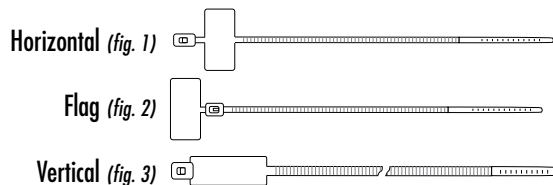
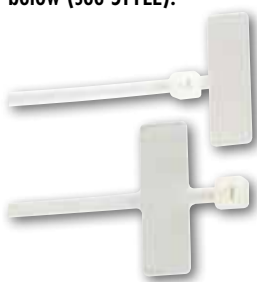
Air handling ties approved for indoor use in air handling spaces and plenums and ducts per NFPA-1993.

MAX. WIRE/CABLE SIZE	CAT. NO.	MAX. BUNDLE DIA.	MIN. TENSILE STRENGTH	LENGTH (IN.)	WIDTH (IN.)	STD. PKG. QTY.	STD. CTN. QTY.
8"	TFZ850	1.750	50 Lbs.	7.500	0.190	100	1,000
11"	TFZ1150	3.000	50 Lbs.	11.500	0.190	100	1,000

MARKER TIES



- Manufactured from natural colored Nylon 66, with an identification area provided as detailed below (see STYLE).



MAX. WIRE/CABLE SIZE	CAT. NO.	STYLE	MAX. BUNDLE DIA.	TENSILE STRENGTH	LENGTH (IN.)	WIDTH (IN.)	STD. PKG. QTY.	STD. CTN. QTY.
4"	418-ID	Vertical	0.75	18 Lbs.	4.000	0.100	100	1,000
	418F-ID	Flag	0.75	18 Lbs.	4.000	0.100	100	1,000
	418H-ID	Horizontal	0.75	18 Lbs.	4.000	0.100	100	1,000
7"	750-ID	Vertical	2	50 Lbs.	7.800	0.183	100	1,000
8"	818H-ID	Horizontal	2	18 Lbs.	8.000	0.100	100	1,000

CABLE TIES HVAC Standard & Weather Resistant Ties



HVAC UL181B FOR FLEXIBLE DUCT

- Designed for quick and easy use.
- Strong and flexible, they can be wrapped around a bundle quickly and the tail is easily inserted into a self-locking head.
- The smaller standard size ties have bent tails to facilitate insertion by user.
- Made of high-strength Nylon 66 that resists abrasion and chemicals such as common oils, greases, solvents, dilute acids and alkalines.
- Fungus-resistant, self-extinguishing and have excellent dielectric properties.



LISTED
Positioning Devices
UL62275

TEMPERATURE RATINGS:

Min., -40°F to Max., 185°F (-40°C to 85°C)

IDEAL STORAGE:

23°C, Humidity 50%, Avoid storing cable ties next to warm objects

TYPE 21 AH-2:

"Suitable for use in air-handling spaces (Plenums)"

CAT. NO.	LENGTH	WIDTH	COLOR	MAX. BUNDLE DIA.	MIN. TENSILE STRENGTH	STD. PKG. QTY.	STD. CTN. QTY.
36175	36	0.354	Natural	10.625	175 Lbs.	50	500
361750	36	0.354	Black	10.625	175 Lbs.	50	500
48175	48	0.354	Natural	15.000	175 Lbs.	50	500
481750	48	0.354	Black	15.000	175 Lbs.	50	500

CABLE TIES Releasable & Stainless Steel Ties -R, SS SERIES



RELEASABLE



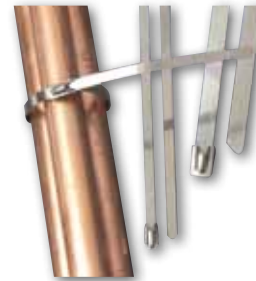
- Releasable ties are manufactured from either natural Nylon 66 or Weather Resistant Nylon 66, these ties can be easily released and re-used.

TEMPERATURE RATING:

-40 °C to 85 °C (-40 °F to 185 °F).

MAX. WIRE/CABLE SIZE	CAT. NO.	MAX. BUNDLE DIA.	MIN. TENSILE STRENGTH	LENGTH (IN.)	WIDTH (IN.)	STD. PKG. QTY.	STD. CTN. QTY.
8"	850-R	2.000	50 Lbs.	8.00	0.210	100	1,000

STAINLESS STEEL CABLE TIES



- Made of Grade 304 stainless steel and are ideally suited for hazardous environments.
- Roller-ball design that is self locking, fast and easy to install.
- Smooth edges will not damage wires.
- Installation by hand or with a tool.
- Available with a non-toxic, halogen-free polyester coating in a wide choice of colors.
- Available in Grade 316, for applications that require extremely high corrosion resistance. To order 316SS material, add suffix "-316" to part number.

TEMPERATURE RATING:

-80 °C to 538 °C (-62.2 °F to 281.1 °F).

TRUE PLENUM RATING

Air handling ties approved for indoor use in air handling spaces and plenums and ducts per NFPA-1993.

MAX. WIRE/CABLE SIZE	CAT. NO.	MAX. BUNDLE DIA.	MIN. TENSILE STRENGTH	LENGTH (IN.)	WIDTH (IN.)	STD. PKG. QTY.	STD. CTN. QTY.
8"	SS8100	1.970	100 Lbs.	8.000	0.181	100	500
14"	SS14100	3.940	100 Lbs.	14.000	0.181	100	500
	SS14250	3.940	250 Lbs.	14.000	0.311	100	500
20"	SS20100	5.900	100 Lbs.	20.5	0.181	100	500
	SS20250	5.900	250 Lbs.	20.5	0.311	100	500
26"	SS26250	7.870	250 Lbs.	26.5	0.311	100	500

CABLE TIES

Standard Cable Ties: Color



FEATURES

- Designed for quick and easy use.
- Strong and flexible, they can be wrapped around a bundle quickly and the tail is easily inserted into a self-locking head.
- The smaller standard size ties have bent tails to facilitate insertion by user.
- Made of high-strength Nylon 66 that resists abrasion and chemicals such as common oils, greases, solvents, dilute acids and alkalines.
- Fungus-resistant, self-extinguishing and have excellent dielectric properties.

RATINGS



TEMPERATURE RATINGS:

Min., -40°F to Max., 185°F (-40°C to 85°C)

IDEAL STORAGE:

23°C, Humidity 50%, Avoid storing cable ties next to warm objects

TYPE 21 AH-2:

"Suitable for use in air-handling spaces (Plenums)"

ORANGE (-3)	GREEN (-5)	RED (-2)
YELLOW (-4)	BLUE (-6)	BROWN (-1)
PURPLE (-7)	GRAY (-8)	

MAX. WIRE/ CABLE SIZE (L)	CAT. NO.
4"	418-4
	530-1
	530-2
5"	530-3
	530-4
	530-5
	530-6
	530-8
7"	750-2
	750-3
	750-4
	750-5
	750-6
	750-7
	750-8
8"	840-1
	840-2
	840-3
	840-4
	840-5
	840-6
	840-7
	840-8
11"	1150-2
	1450-2
14"	1450-3
	1450-4
	1450-5



COLOR	MAX BUNDLE DIAMETER	TENSILE STRENGTH	LENGTH (IN.)	WIDTH (IN.)	STD. PKG. QTY.	STD. CTN. QTY.
Yellow	0.800	18 Lbs.	4.000	0.095	100	5,000
Brown	1.300	30 Lbs.	5.600	0.140	100	5,000
Red	1.300	30 Lbs.	5.000	0.140	100	5,000
Orange	1.300	30 Lbs.	5.000	0.140	100	5,000
Yellow	1.250	30 Lbs.	5.600	0.130	100	5,000
Green	1.300	30 Lbs.	5.000	0.140	100	5,000
Blue	1.300	30 Lbs.	5.000	0.140	100	5,000
Gray	1.300	30 Lbs.	5.600	0.140	100	5,000
Red	1.810	50 Lbs.	8.000	0.189	100	3,000
Orange	1.810	50 Lbs.	7.500	0.189	100	3,000
Yellow	1.810	50 Lbs.	8.000	0.189	100	3,000
Green	1.810	50 Lbs.	8.000	0.189	100	3,000
Blue	1.810	50 Lbs.	8.000	0.189	100	3,000
Purple	1.810	50 Lbs.	8.000	0.189	100	3,000
Gray	1.810	50 Lbs.	8.000	0.189	100	3,000
Brown	2.060	40 Lbs.	8.500	0.140	100	3,000
Red	2.060	40 Lbs.	8.000	0.140	100	3,000
Orange	2.060	40 Lbs.	8.000	0.140	100	3,000
Yellow	2.060	40 Lbs.	8.500	0.140	100	3,000
Green	2.060	40 Lbs.	8.500	0.140	100	3,000
Blue	2.060	40 Lbs.	8.000	0.140	100	3,000
Purple	2.060	40 Lbs.	8.500	0.140	100	3,000
Gray	2.060	40 Lbs.	8.500	0.140	100	3,000
Red	3.000	50 Lbs.	11.100	0.187	100	2,000
Red	4.000	50 Lbs.	14.100	0.187	100	2,000
Orange	4.000	50 Lbs.	14.100	0.187	100	2,000
Yellow	4.070	50 Lbs.	14.000	0.189	100	2,000
Green	4.000	50 Lbs.	14.100	0.187	100	2,000

CABLE TIES

Standard Cable Ties: Fluorescent



FEATURES

- Designed for quick and easy use.
- Strong and flexible, they can be wrapped around a bundle quickly and the tail is easily inserted into a self-locking head.
- The smaller standard size ties have bent tails to facilitate insertion by user.
- Made of high-strength Nylon 66 that resists abrasion and chemicals such as common oils, greases, solvents, dilute acids and alkalines.
- Fungus-resistant, self-extinguishing and have excellent dielectric properties.

RATINGS



TEMPERATURE RATINGS:

Min., -40°F to Max., 185°F (-40°C to 85°C)

IDEAL STORAGE:

23°C, Humidity 50%, Avoid storing cable ties next to warm objects

TYPE 21 AH-2:

"Suitable for use in air-handling spaces (Plenums)"

ORANGE (-16)	GREEN (-18)	PINK (-11)
YELLOW (17)	BLUE (-20)	

MAX. WIRE/
CABLE SIZE

CAT.
NO.

	750-16
7"	750-18
	750-20
	840-11
	840-16
8"	840-17
	840-18
	840-20
	1150-11
	1150-16
11"	1150-17
	1150-18
	1150-20



COLOR (FLOURESCENT)	MAX BUNDLE DIAMETER	TENSILE STRENGHT	LENGTH (IN.)	WIDTH (IN.)	STD. PKG. QTY.	STD. CTN. QTY.
Orange	1.750	50 Lbs.	7.500	0.187	100	3,000
Green	1.810	50 Lbs.	7.500	0.189	100	3,000
Blue	1.810	50 lbs.	7.500	0.189	100	3,000
Pink	2.000	40 Lbs.	8.500	0.130	100	3,000
Orange	2.000	40 Lbs.	8.500	0.130	100	3,000
Yellow	2.060	40 Lbs.	8.000	0.140	100	3,000
Green	2.000	40 Lbs.	8.500	0.130	100	3,000
Blue	2.000	40 Lbs.	8.500	0.130	100	3,000
Pink	3.000	50 Lbs.	11.100	0.187	100	2,000
Orange	3.000	50 Lbs.	11.100	0.187	100	2,000
Yellow	3.000	50 Lbs.	11.100	0.187	100	2,000
Green	3.000	50 Lbs.	11.100	0.187	100	2,000
Blue	3.000	50 Lbs.	11.100	0.187	100	2,000

CABLE TIES
Cable Tie Canister Packs
CTP SERIES



FEATURES

- Four sizes of canister packs include popular assortments of standard and colored cable ties.
- Provided in an air-tight canister to prevent drying, extending life.

RATINGS



LISTED
 Positioning Devices
 UL62275

TEMPERATURE RATINGS:

Min., -40°F to Max., 185°F (-40°C to 85°C)

IDEAL STORAGE:

23°C, Humidity 50%, Avoid storing cable ties next to warm objects

TYPE 21 AH-2:

"Suitable for use in air-handling spaces (Plenums)"

CAT. NO.	CONTENTS	QTY.
CTP-300	418	100
	418-2	25
	418-4	25
	418-5	25
	418-6	25
	840	50
	840-2	25
	840-6	25
	418	200
	418-2	25
CTP-650	418-4	25
	418-5	25
	418-6	25
	840	300
	1150	50
CTP-650N	418	300
	840	300
	1150	50
CTP-650B	4180	300
	8400	300
	11500	50



COLOR	BUNDLE DIAL	MAX BUNDLE DIAMETER	TENSILE STRENGTH	LENGTH (IN.)	WIDTH (IN.)	STD. PKG. QTY.	STD. CTN. QTY.
Natural	7/8	0.875	18 Lbs.	4.000	0.100	1	12
Red	7/8	0.875	18 Lbs.	4.000	0.100	1	12
Yellow	7/8	0.875	18 Lbs.	4.000	0.100	1	12
Green	7/8	0.875	18 Lbs.	4.000	0.100	1	12
Blue	7/8	0.875	18 Lbs.	4.000	0.100	1	12
Natural	2 1/8	2.125	40 Lbs.	8.000	0.140	1	12
Red	2 1/8	2.125	40 Lbs.	8.000	0.140	1	12
Blue	2 1/8	2.125	40 Lbs.	8.000	0.140	1	12
Natural	7/8	0.875	18 Lbs.	4.000	0.100	1	12
Red	7/8	0.875	18 Lbs.	4.000	0.100	1	12
Yellow	7/8	0.875	18 Lbs.	4.000	0.100	1	12
Green	7/8	0.875	18 Lbs.	4.000	0.100	1	12
Blue	7/8	0.875	18 Lbs.	4.000	0.100	1	12
Natural	2 1/8	2.125	40 Lbs.	8.000	0.140	1	12
Natural	3 1/8	3.125	50 Lbs.	11.000	0.187	1	12
Natural	7/8	0.875	18 Lbs.	4.000	0.100	1	12
Natural	2 1/8	2.125	40 Lbs.	8.000	0.140	1	12
Natural	3 1/8	3.125	50 Lbs.	11.000	0.187	1	12
UV Black	7/8	0.875	18 Lbs.	4.000	0.100	1	12
UV Black	2 1/8	2.125	40 Lbs.	8.000	0.140	1	12
UV Black	3 1/8	3.125	50 Lbs.	11.000	0.187	1	12

CABLE TIES
Natural & Weather
Resistant Mountable Ties
-MH SERIES



FEATURES

- Standard mountable cable ties are manufactured from natural Nylon 66 and come complete with a mounting hole.
- Black weather mountable cable ties are also screw mounted, are manufactured from Weather Resistant Nylon 66 and suitable for outdoor use.

RATINGS



TEMPERATURE RATINGS:
 Min., -40°F to Max., 185°F (-40°C to 85°C)

IDEAL STORAGE:
 23°C, Humidity 50%, Avoid storing cable ties next to warm objects

TYPE 21 AH-2:
 "Suitable for use in air-handling spaces (Plenums)"

MAX. WIRE/CABLE SIZE	CAT. NO.	COLOR	MAX BUNDLE DIAMETER	TENSILE STRENGTH	LENGTH (IN.)	WIDTH (IN.)	STD. PKG. QTY.	STD. CTN. QTY.
5"	530MH	Natural	1.500	30 Lbs.	6.000	0.145	100	1,000
7"	750MH	Natural	2.250	50 Lbs.	8.000	0.165	100	1,000
11"	1150MH	Natural	3.250	50 Lbs.	11.750	0.188	100	1,000
14"	1450MH	Natural	4.000	50 Lbs.	14.500	0.188	100	500
	14120MH	Natural	4.750	120 Lbs.	15.500	0.310	100	500
5"	5300MH	UV Black	1.500	30 Lbs.	6.000	0.145	100	1,000
7"	7500MH	UV Black	2.000	50 Lbs.	8.000	0.165	100	1,000
11"	11500MH	UV Black	3.250	50 Lbs.	11.750	0.188	100	1,000
14"	14500MH	UV Black	4.000	50 Lbs.	14.500	0.188	100	500
	141200MH	UV Black	4.750	120 Lbs.	15.500	0.310	100	500

CABLE TIES
Velcro Ties
V SERIES



FEATURES

- Unique back-to-back fastening system: a self-gripping, double-sided strap that is easy to use and cost effective.
- Molded high performance polyethylene hook fastener laminated on to a non-woven polyester loop.
- Low peel strength allows for easy entry or removal by the user yet the average shear strength is 3.0 PSI, which increases substantially with each circular rotation. Will not over-cinch delicate cable and fiber optics.
- For use with cord and cable management, wire harnesses, inventory control, fibre optics, packaging, in-plant maintenance, etc.
- Allow for a minimum 2" overlap when installing.
- Available in five colors.

RATINGS



MAX. WIRE/CABLE SIZE	CAT. NO.	COLOR	MAX. BUNDLE DIAMETER	LENGTH (IN.)	WIDTH (IN.)	PCS. PER. PKG.	PKG. PER. CTN.
8"	V850	Black	1.750	8"	0.500	10	25
	V850-2	Red	1.750	8"	0.500	10	25
	V850-3	Orange	1.750	8"	0.500	10	25
	V850-4	Yellow	1.750	8"	0.500	10	25
	V850-6	Blue	1.750	8"	0.500	10	25
	12"	V1250	Black	3.000	12"	0.500	10
V1250-2		Red	3.000	12"	0.500	10	20
V1250-4		Yellow	3.000	12"	0.500	10	20
V1250-6		Blue	3.000	12"	0.500	10	20
80"	V875	Black	Perforated Every 8"	80"	0.75	1	10
10'	V1275	Black	Perforated Every 12"	10'	0.75	1	10
15'	V180	Black	-	15'	0.75	1	10
75'	V900	Black	-	75'	0.75	1	3
600'	V7200	Black	-	600'	0.75	1	1

*Note: Rolls of Velcro tape can be cut to desired length.

CABLE TIES

Cable Ties with Stainless Steel Barb

-SB SERIES



FEATURES

- Natural and UV resistant black, nylon cable ties have stainless steel barb; barb is at 45° pitch with 60° cutting angle, setting strap to desired position to suit all diameters in range.
- Flexible and resistant at low temperatures and humidity-free environments.
- Cold and fastening resistances are higher than normal cable tie tolerances.

RATINGS



LISTED
Positioning Devices
UL62275

TEMPERATURE RATINGS:

Min., -40°F to Max., 185°F (-40°C to 85°C)

IDEAL STORAGE:

23°C, Humidity 50%, Avoid storing cable ties next to warm objects

TYPE 21 AH-1:

"Suitable for use in air-handling spaces (Plenums)"

MAX. WIRE/ CABLE SIZE	CAT. NO.
4"	418-SB
5"	540-SB
7"	750-SB
8"	818-SB
	840-SB
11"	1140-SB
	1150-SB
14"	1450-SB
14"	14120-SB
4"	4180-SB
5"	5400-SB
7"	7500-SB
8"	8180-SB
	8400-SB
11"	11400-SB
	11500-SB
14"	14500-SB
	141200-SB



COLOR	MAX. BUNDLE DIA.	MIN. TENSILE STRENGTH	LENGTH (IN.)	WIDTH (IN.)	STD. PKG. QTY.
Natural	0.944	18 Lbs.	4.000	0.100	100
Natural	1.417	40 Lbs.	5.500	0.137	100
Natural	2.007	50 Lbs.	7.322	0.177	100
Natural	2.165	18 Lbs.	7.874	0.100	100
Natural	2.165	40 Lbs.	7.874	0.137	100
Natural	3.149	40 Lbs.	11.023	0.137	100
Natural	3.149	50 Lbs.	11.023	0.177	100
Natural	3.976	50 Lbs.	14.173	0.177	100
Natural	3.976	120 Lbs.	14.173	0.295	50
UV Black	0.944	18 Lbs.	4.000	0.100	100
UV Black	1.417	40 Lbs.	5.500	0.137	100
UV Black	2.007	50 Lbs.	7.322	0.177	100
UV Black	2.165	18 Lbs.	7.874	0.100	100
UV Black	2.165	40 Lbs.	7.874	0.137	100
UV Black	3.149	40 Lbs.	11.023	0.137	100
UV Black	3.149	50 Lbs.	11.023	0.177	100
UV Black	3.976	50 Lbs.	14.173	0.177	100
UV Black	3.976	120 Lbs.	14.173	0.295	50

CABLE TIES

Cable Tie Installation Tools

TRT, SSCT SERIES

FEATURES

TRT

- Ergonomic, durable cable tie tools suitable for tensile strengths from 18lb through 250lb extra heavy lashing ties.

SSCT

- Stainless Steel manual tools are ergonomic, durable cable tie tools suitable for 100lb and 250lb tensile strength stainless steel ties.
- SSCT-5 has preset tension adjustment control, allowing for uniform tension setting and automatic cutting on each bundle.



CAT. NO.	FIG. NO.	TOOL DUTY	APPLICATION	MIN. TENSILE STRENGTH	STD. CTN. QTY.
TRT-100	1	Light weight, plastic	Miniature, intermediate and standard duty cable ties	18-50 Lbs.	1
TRT-200	2	Sturdy, metal	Miniature, intermediate, and standard duty cable ties	18-50 Lbs.	1
TRT-300	3	Heavy Duty, all-metal	Miniature up to Heavy Duty cable ties	18-175 Lbs.	1
TRT-400	4	Extra Heavy Duty, all-metal	Miniature up to extra Heavy Duty cable ties	18-250 Lbs.	1
TRT-500	5	Deluxe cable tie tool	Miniature up to Standard Duty cable ties	18-50 Lbs.	1
SSCT-3	6	Stainless Steel cable tie tool	100lb and 250lb Stainless Steel cable ties	100-250 Lbs.	1
SSCT-5	7	Stainless Steel cable tie tool	100lb and 250lb Stainless Steel cable ties	100-250 Lbs.	1

CABLE TIE MOUNTS

Cable Tie Adhesive Mounts

FTH SERIES

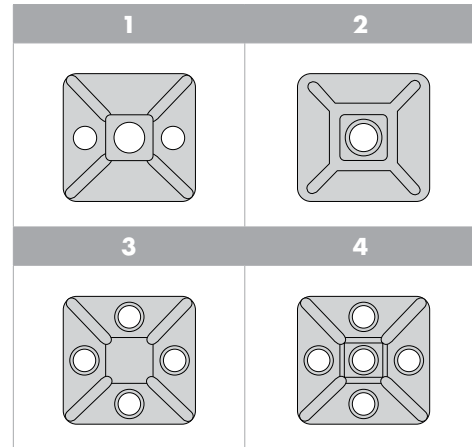
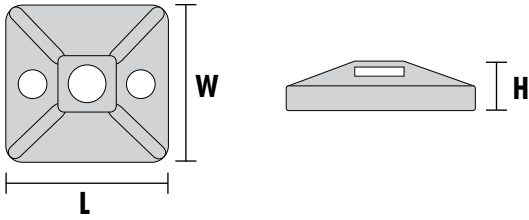


FEATURES

- Mounts are used to route and fasten cable-tied bundles to flat surfaces.
- Cable ties may be inserted from any of four directions, eliminating orientation time.
- The top of the mount has a cradle design which allows the bundle to fit snugly and a mounting hole for additional support, where required.

TEMPERATURE RATING:

-80 °C to 538 °C (-112 °F to 1000.4 °F).



CAT. NO.	FIG. NO.	COLOR	SLOT WIDTH	LENGTH (IN.)	WIDTH (IN.)	HEIGHT
FTH5A	1	Natural	0.140	0.750	0.750	0.140
FTH5A-B	1	Black	0.140	0.750	0.750	0.140
FTH7A	2	Natural	0.203	1.000	1.000	0.160
FTH7A-B	2	Black	0.203	1.000	1.000	0.160
FTH15A	3	Natural	0.394	1.500	1.500	0.300
FTH15A-B	3	Black	0.394	1.500	1.500	0.300
FTH20A	4	Natural	0.500	2.000	2.000	0.500
FTH20A-B	4	Black	0.500	2.000	2.000	0.500

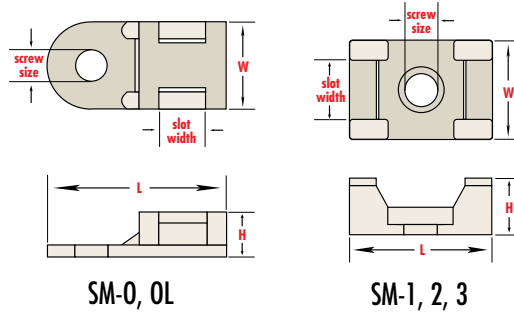
CABLE TIE MOUNTS

Push Mounts

SM SERIES

FEATURES

- Manufactured using UL approved Nylon 66, 94V-2.
- Saddle design provides maximum stability to wire bundles.



RATINGS

TEMPERATURE RATING:
-80 °C to 538 °C (-112 °F to 1000.4 °F).

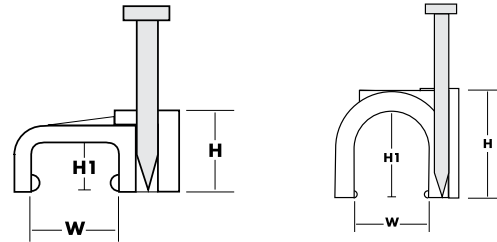
CAT. NO.	FIG. NO.	COLOR	SCREW SIZE	SLOT WIDTH	LENGTH (IN.)	WIDTH (IN.)	HEIGHT (IN.)	STD. PKG. QTY.	STD. CTN. QTY.
SM-0	1	Natural	0.133	0.200	0.750	0.370	0.200	100	1,000
SM-OL	1	Natural	0.204	0.200	0.750	0.370	0.200	100	1,000
SM-1	2	Natural	0.120	0.280	0.590	0.390	0.280	100	1,000
SM-2	2	Natural	0.130	0.160	0.500	0.280	0.230	100	1,000
SM-3	2	Natural	0.236	0.350	0.900	0.630	0.350	100	1,000
SM-1-B	2	Black	0.120	0.280	0.590	0.390	0.280	100	1,000
SM-2-B	2	Black	0.130	0.160	0.500	0.280	0.230	100	1,000
SM-3-B	2	Black	0.236	0.350	0.900	0.630	0.350	100	1,000

CABLE TIE MOUNTS
Polyethylene Nail Clips
PNC SERIES



FEATURES

- Made from impact resistant, non-corrosive polyethylene.
- Supplied with corrosion resistant, hardened steel nails already inserted for ease-of-use.
- The smooth polyethylene surface prevents damage to the insulation.



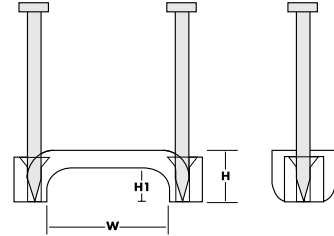
CAT. NO.	FIGURE NO.	COLOR	WIDTH	HEIGHT (IN.)	HEIGHT 1 (IN.)	STD. PKG. QTY.	STD. CTN. QTY.
PNC-217W	1	White	0.217	0.216	0.122	100	1,000
PNC-335W	1	White	0.335	0.315	0.205	100	1,000
PNC-157G	2	Grey	0.157	0.260	0.165	100	1,000
PNC-197G	2	Grey	0.197	0.299	0.206	100	1,000
PNC-236G	2	Grey	0.236	0.354	0.260	100	1,000
PNC-315G	2	Grey	0.315	0.453	0.339	100	1,000
PNC-391G	2	Grey	0.391	0.528	0.413	100	1,000

CABLE TIES
Nail-On Plastic Staples
for Romex
PNC SERIES



PLASTIC STAPLES FOR ROMEX

- PNC-492W is suitable for use with 14/2, 14/3 or 12/2.
- PNC-736W is suitable for use with 12/3, 10/2 or 10/3.



RATINGS

RoHS Compliant.

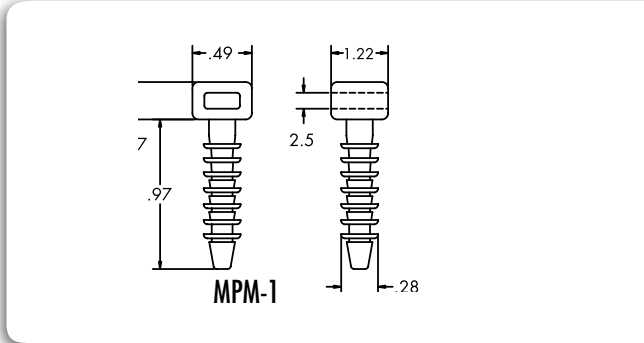
CAT. NO.	FIG. NO.	COLOR	WIDTH	HEIGHT (IN.)	HEIGHT 1 (IN.)	STD. PKG. QTY.	STD. CTN. QTY.
PNC-492W	3	White	0.492	0.315	0.209	100	5,000
PNC-736W	3	White	0.736	0.315	0.209	100	5,000

CABLE TIE MOUNTS
Masonry Push Mounts & Adjustable Cable Clamps
MPM, ADJCC SERIES



MASONRY PUSH MOUNTS

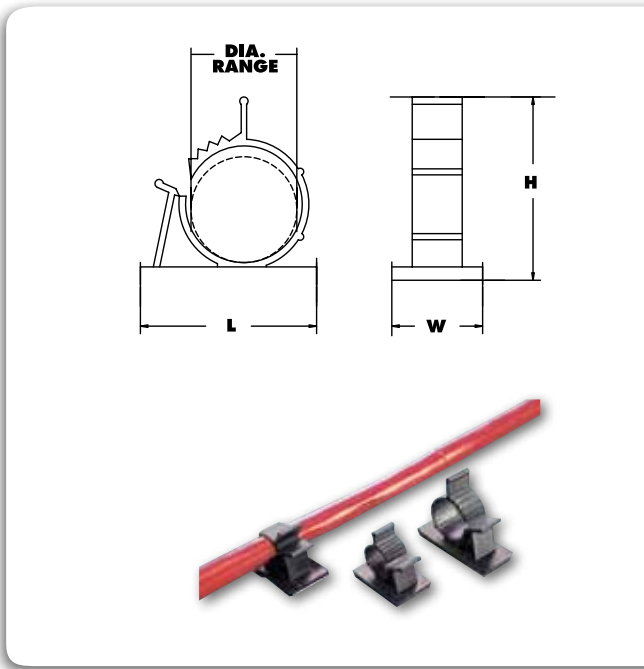
- Manufactured using UL approved Nylon 66, 94V-2. Installs in masonry surfaces.
- Simply pre-drill a mounting hole, hammer the push mount in, then feed a cable tie through the head.



CAT. NO.	CABLE TIE WIDTH ACCEPTABLE	THREAD LENGTH	OVERALL WIDTH	THREAD WIDTH	HEAD SIZE L X W	STD. PKG. QTY.	STD. CTN. QTY.
MPM-1	0.39	0.97	1.22	0.28	0.49 x 0.47	100	500

ADJUSTABLE CABLE CLAMPS

- Clamps are adjustable to accommodate various sizes of cables.
- Easy to install and open for unlimited usage.
- Manufactured using UL approved Nylon 66, 94V-2 and have an adhesive tape backing.



CAT. NO.	DIA. RANGE	LENGTH (IN.)	WIDTH (IN.)	HEIGHT (IN.)	STD. PKG. QTY.	STD. CTN. QTY.
ADJCC-1	0.31 to 0.40	1.000	0.750	0.870	100	1,000
ADJCC-3	0.50 to 0.60	1.500	0.750	1.250	100	1,000
ADJCC-5	0.87 to 1.00	1.650	1.000	1.750	100	1,000

CABLE TIE CLAMPS
Standard & Heavy Duty
Nylon Cable Clamps
NC, NCH SERIES



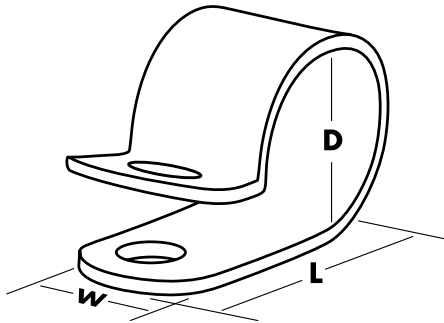
FEATURES

STANDARD DUTY

- Standard duty clamps are similar to heavy duty nylon cable clamps, except narrower in width.
- Made from Nylon 66. 94 V-2 rated.
- Complete with 0.180" mounting hole.

HEAVY DUTY

- Made from Nylon 66. 94V-2 rated.
- Designed with wide arc to hold cables, tubes, etc.
- Fully radiused interior edges to protect cable insulation.
- Non-conductive, non-corrosive, resistant to fuels, lubricants and most chemicals.
- 0.180" mounting hole.



CAT. NO.
NC-125
NC-125-0
NC-187
NC-187-0
NC-250
NC-250-0
NC-312
NC-312-0
NC-375
NC-375-0
NC-500
NC-500-0
NCH-250
NCH-250-0
NCH-312
NCH-312-0
NCH-375
NCH-375-0
NCH-437
NCH-500
NCH-500-0
NCH-562
NCH-625
NCH-750
NCH-1000



DIAMETER	COLOR	LENGHT (IN.)	WIDTH (IN.)	STD. PKG. QTY.	STD. CTN. QTY.
STANDARD DUTY					
0.125	Natural	0.780	0.378	100	1,200
	Black	0.780	0.378	100	1,200
0.187	Natural	0.780	0.378	100	1,200
	Black	0.780	0.378	100	1,200
0.250	Natural	0.790	0.394	100	1,200
	Black	0.790	0.394	100	1,200
0.312	Natural	0.860	0.394	100	1,200
	Black	0.860	0.394	100	1,200
0.375	Natural	0.940	0.375	100	1,200
	Black	0.940	0.375	100	1,200
0.500	Natural	1.220	0.375	100	1,200
	Black	1.220	0.375	100	1,200
HEAVY DUTY					
0.250	Natural	0.790	0.500	100	1,200
	Black	0.790	0.500	100	1,200
0.312	Natural	0.860	0.500	100	1,200
	Black	0.860	0.500	100	1,200
0.375	Natural	0.940	0.472	100	1,200
	Black	0.940	0.472	100	1,200
0.437	Natural	1.080	0.500	100	1,200
0.500	Natural	1.220	0.472	100	1,200
	Black	1.220	0.472	100	1,200
0.562	Natural	1.280	0.500	100	1,200
0.625	Natural	1.350	0.472	100	1,200
0.750	Natural	1.380	0.472	100	1,200
1.000	Natural	1.690	0.472	100	1,200

PANEL CHANNEL
Standard Slot
Panel Channel
PC--LS SERIES



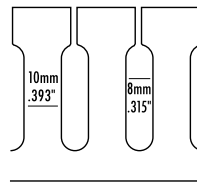
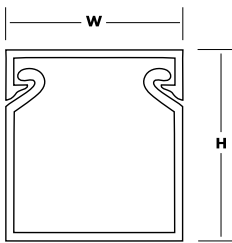
FEATURES

- Made from high-impact, self-extinguishing, warp-proof PVC for routing wires.
- Restricted slot opening is designed to retain wires and allow for breakout when required. Individual wires are easily traced and removed when necessary.
- Scored sidewalls allow for easy break-off of panel channel sections.
- All sizes are supplied with mounting holes and non-slip, snap-on and off covers.
- Optional adhesive backing is available.
- Maximum service temperature: 85 °C (185 °F), Tested to UL File up to 50 °C (122 °F). 94V-0 Rated.
- For other sizes, please contact NSi.

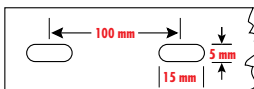
RATINGS



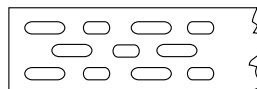
Finger width = 10 mm, slot width = 8 mm.



Mounting holes:
 For widths up to 2.5"



For widths over 2.5"

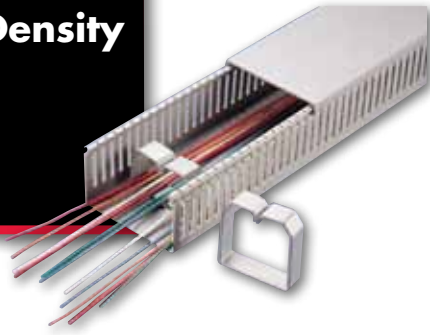


CAT. NO.
PC1010-LS
PC1010-LS-W
PC1015-LS
PC1020-LS
PC1020-LS-W
PC1030-LS
PC1030-LS-W
PC1040-LS
PC1040-LS-W
PC1515-LS
PC1515-LS-W
PC1520-LS
PC1520-LS-W
PC1530-LS
PC1530-LS-W
PC1540-LS-W
PC2010-LS
PC2010-LS-W
PC2020-LS
PC2020-LS-W
PC2030-LS
PC2030-LS-W
PC2040-LS
PC2040-LS-W
PC3020-LS
PC3020-LS-W
PC3030-LS
PC3030-LS-W
PC3040-LS
PC3040-LS-W
PC4020-LS
PC4030-LS
PC4030-LS-W
PC4040-LS
PC4040-LS-W
PC6040-LS
PC6040-LS-W



NOMINAL SIZE	COLOR	LENTH (FT.)	STD. PKG. QTY.	STD. CTN. QTY.
1 x 1	Grey	6'	6'	72'
1 x 1	White	6'	6'	72'
1 x 1 1/2	Grey	6'	6'	72'
1 x 2	Grey	6'	6'	72'
1 x 2	White	6'	6'	72'
1 x 3	Grey	6'	6'	72'
1 x 3	White	6'	6'	72'
1 x 4	Grey	6'	6'	72'
1 x 4	White	6'	6'	72'
1 1/2 x 1 1/2	Grey	6'	6'	72'
1 1/2 x 1 1/2	White	6'	6'	72'
1 1/2 x 2	Grey	6'	6'	72'
1 1/2 x 2	White	6'	6'	72'
1 1/2 x 3	Grey	6'	6'	72'
1 1/2 x 3	White	6'	6'	72'
1 1/2 x 4	White	6'	6'	72'
2 x 1	Grey	6'	6'	72'
2 x 1	White	6'	6'	72'
2 x 2	Grey	6'	6'	72'
2 x 2	White	6'	6'	72'
2 x 3	Grey	6'	6'	72'
2 x 3	White	6'	6'	72'
2 x 4	Grey	6'	6'	72'
2 x 4	White	6'	6'	72'
3 x 2	Grey	6'	6'	72'
3 x 2	White	6'	6'	72'
3 x 3	Grey	6'	6'	72'
3 x 3	White	6'	6'	72'
3 x 4	Grey	6'	6'	72'
3 x 4	White	6'	6'	72'
4 x 2	Grey	6'	6'	72'
4 x 3	Grey	6'	6'	72'
4 x 3	White	6'	6'	72'
4 x 4	Grey	6'	6'	72'
4 x 4	White	6'	6'	72'
6 x 4	Grey	6'	6'	72'
6 x 4	White	6'	6'	72'

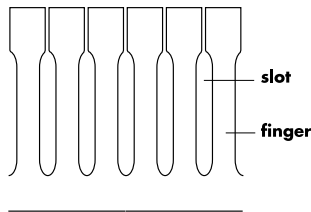
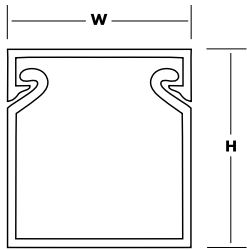
PANEL CHANNEL
Narrow Finger, High Density
Panel Channel
PC--LSN SERIES



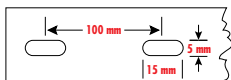
FEATURES

- Narrower finger width is 6mm.
- Slot width is 4mm.
- Made from high-impact, self-extinguishing, warp-proof PVC.
- Optional adhesive backing is available.
- Maximum service temperature: 85 °C (185 °F).
- Tested to UL File up to 50 °C (122 °F). 94V-0 rated.
- 5mm slot width is available in both white and grey for 1020, 2020, 2030, 2040

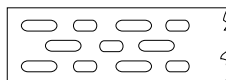
RATINGS



Mounting holes:
For widths up to 2.5"

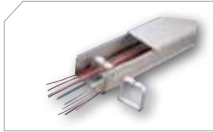


For widths over 2.5"



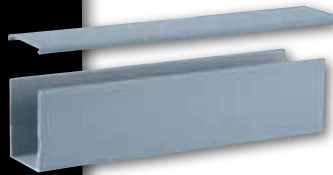
CAT.
NO.

- PC.75.75-LSN
- PC1010-LSN
- PC1010-LSN-W
- PC1015-LSN
- PC1015-LSN-W
- PC10175-LSN
- PC10175-LSN-W
- PC1020-LSN
- PC1020-LSN-W
- PC10250-LSN
- PC1030-LSN
- PC1030-LSN-W
- PC1515-LSN
- PC1520-LSN
- PC1520-LSN-W
- PC1530-LSN
- PC1540-LSN
- PC175175-LSN
- PC2020-LSN
- PC2020-LSN-W
- PC2030-LSN
- PC2030-LSN-W
- PC2040-LSN
- PC3020-LSN
- PC3020-LSN-W
- PC3030-LSN
- PC3040-LSN
- PC4020-LSN-W
- PC4030-LSN
- PC4040-LSN



NOMINAL SIZE	COLOR	LENTH (FT.)	STD. PKG. QTY.	STD. CTN. QTY.
3/4 x 3/4	Grey	6'	6'	72'
1 x 1	Grey	6'	6'	72'
1 x 1	White	6'	6'	72'
1 x 1 1/2	Grey	6'	6'	72'
1 x 1 1/2	White	6'	6'	72'
1 x 1 3/4	Grey	6'	6'	72'
1 x 1 3/4	White	6'	6'	72'
1 x 2	Grey	6'	6'	72'
1 x 2	White	6'	6'	72'
1 x 2 1/2	Grey	6'	6'	72'
1 x 3	Grey	6'	6'	72'
1 x 3	White	6'	6'	72'
1 1/2 x 1 1/2	Grey	6'	6'	72'
1 1/2 x 2	Grey	6'	6'	72'
1 1/2 x 2	White	6'	6'	72'
1 1/2 x 3	Grey	6'	6'	72'
1 1/2 x 4	Grey	6'	6'	72'
1 3/4 x 1 3/4	Grey	6'	6'	72'
2 x 2	Grey	6'	6'	72'
2 x 2	White	6'	6'	72'
2 x 3	Grey	6'	6'	72'
2 x 3	White	6'	6'	72'
2 x 4	Grey	6'	6'	72'
3 x 2	Grey	6'	6'	72'
3 x 2	White	6'	6'	72'
3 x 3	Grey	6'	6'	72'
3 x 4	Grey	6'	6'	72'
4 x 2	White	6'	6'	72'
4 x 3	Grey	6'	6'	72'
4 x 4	Grey	6'	6'	72'

PANEL CHANNEL
Solid Wall Panel Channel,
Floor Duct
PC, FD SERIES



SOLID WALL PANEL CHANNEL



- Made from high-impact, self-extinguishing, warp-proof PVC for routing wires where wire extraction is not necessary.
- Supplied complete with mounting holes and non-slip, snap-on and off covers.
- Optional adhesive backing is available.
- Maximum service temperature: 85 °C (185 °F).
- Tested to UL File up to 50 °C (122 °F). 94V-0 Rated.
- For other sizes, please contact NSI.

CAT. NO.	COLOR	NOMINAL SIZE (IN)	LENGTH (FT.)	STD. PKG. QTY.	STD. CTN. QTY.
PC2020	Grey	2 x 2	6'	6'	72'
PC2030	Grey	2 x 3	6'	6'	72'
PC3030	Grey	3 x 3	6'	6'	72'
PC4040	Grey	4 x 4	6'	6'	72'

FLOOR DUCT

- 2.5" and 4" wide floor duct for use as safe temporary enclosure of electrical cords, data communications cables and other objects that present a trip hazard.
- Manufactured using soft PVC.



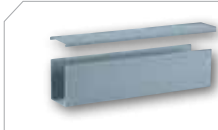
CAT. NO.	NOMINAL SIZE (IN.)	COLOR	LENGTH (FT.)	WIDTH (IN)		HEIGHT (IN)		STD. PKG. QTY.	STD. CTN. QTY.
				ID	OD	ID	OD		
FD250W	2.5"	Off White	6'	0.750	2.600	0.430	0.600	6'	18'
FD250B		Brown	6'	0.750	2.600	0.430	0.600	6'	18'
FD250K		Black	6'	0.750	2.600	0.430	0.600	6'	18'
FD400W	4"	Off White	6'	1.160	4.000	0.610	0.910	6'	18'
FD400B		Brown	6'	1.160	4.000	0.610	0.910	6'	18'
FD400K		Black	6'	1.160	4.000	0.610	0.910	6'	18'

WIRE MANAGEMENT

WIRE MARKING / ID

Cable Marker Plates & Wire Marker Dispensers

MP, WLD SERIES



CABLE MARKER PLATES

- Mark-Pro™ cable marker plates provide reliable method of identification of larger cables and bundles.
- They can be installed using standard nylon tie wraps.
- A fine tip permanent marker is recommended.
- Manufactured using natural colored nylon.

CAT. NO.	LENGTH (IN.)	WIDTH (IN.)	STD. PKG. QTY.	STD. CTN. QTY.
MP-2	1.58	0.790	100	1000
MP-3	2.36	1.000	100	1000

WIRE MARKER DISPENSERS

- Permanent markers are recommended for writing on these vinyl self laminating labels, backed with an acrylic adhesive.

TEMPERATURE RATING:

-40 °C to 121.1 °C (-40 °F to 250 °F).
UL 969.



CAT. NO.	WHITE-ON AREA	LENGTH (IN.)	WIDTH (IN.)	STD. CTN. QTY.
WLD-1	0.75 x 0.31	0.75	1.250	1
WLD-2	0.75 x 0.50	0.75	1.880	1
WLD-3	0.75 x 0.75	0.75	3.000	1

WIRE MARKING / ID

Roll Label Dispenser & Industrial Tapes

RLD, IT-BW SERIES



ROLL LABEL DISPENSER



- Reusable, refillable, compact and convenient, roll label dispensers provide 760 1-1/4" markers per dispenser.
- Made of tough tyvek material with an excellent acrylic adhesive and a silicone release liner.

TEMPERATURE RATING:

-40 °C to 121.1 °C (-40 °F to 250 °F).
UL 969.

CAT. NO.	LABEL LEGEND	STD. PKG. QTY.	STD. CTN. QTY.
RLD-1	0-9	1	1

POLYESTER INDUSTRIAL TAPES

- A high performance label stock.
- 2 mil pressure sensitive polyester and thermal transfer resin ribbon in a cartridge.
- Up to seven year exterior life.
- Chemical, water, UV and abrasion resistant.

TEMPERATURE RATING:

-40 °C to 121.1 °C (-40 °F to 250 °F).



CAT. NO.	SIZE	DESCRIPTION	LENGHT (FT.)	WIDTH (IN.)	STD. PKG. QTY.	STD. CTN. QTY.
IT3/4-BW	3/4"	Black on White	26'	0.750	1	1
IT1-BW	1"	Black on White	26'	1.000	1	1

WIRE MARKING / ID Pocket Pal Marker Books WMB SERIES



FEATURES

- Convenient NSi wire marker books made with vinyl impregnated cloth.
- A strong adhesive ensures the marking will last.
- Printed with black legends on a white background.
- Each book contains 450 wire markers.

RATINGS

TEMPERATURE RATING:
-40 °C to 121.1 °C (-40 °F to 250 °F).

CAT. NO.	LEGEND	MARKERS PER BOOK	STD. CTN. QTY.
WMB-1	0-9	45	12
WMB-2	A-Z, 0-15 +,-,/	10	12
WMB-3	0-45	10	12
WMB-4	1,2,3	150 Each	12
WMB-5	A,B,C	150 Each	12
WMB-6	T1,T2,T3	150 Each	12
WMB-7	L1,L2,L3	150 Each	12
WMB-8	1-15	6 Each	12
	16-90	4 Each	
	A-Z,+,-,/0	2 Each	
WMB-9	1,2,3	45 Each	12
	A,B,C	45 Each	
	L1,L2,L3	30 Each	
	T1,T2,T3	30 Each	
WMB-10	10 Nema Colors	45 Each	12
WMB-11	1-30	15 Each	12
WMB-12	A-Z	15 Each	12
	Blank	45 Each	
	+ - - -	8 Each 7 Each	
WMB-13	+,-,AC,DC	45 Each	12
	POS,NEG,GND	33 Each	
	NEUT	27 Each	
	Spare,Blank	21 Each	
WMB-14	0-9	45 Each	12
	L1,L2,L3	15 Each	
	T1,T2,T3	15 Each	
WMB-15	46-90	10 Each	12
WMB-20	1 X 6 Blank (1 x 1 Write on Area)	30 Each	12
WMB-21	1 x 3 Blank (1x0.75 Write on Area)	60 Each	12
WMB-LC	Load Center	90 Each	12

WIRE MARKING / ID Easy Release Wire Marker Cards WMC SERIES



FEATURES

- NSi wire marker cards are made from vinyl impregnated cloth with pressure sensitive adhesive.
- Each marker is 1-1/2" long and is mounted on easy release dispenser cards for quick, easy identification.
- Standard carton quantity of 25.

CATALOG NO	SYMBOL	CATALOG NO	SYMBOL
WMC-0	0	WMC-37	37
WMC-1	1	WMC-38	38
WMC-2	2	WMC-39	39
WMC-3	3	WMC-40	40
WMC-4	4	WMC-41	41
WMC-5	5	WMC-42	42
WMC-6	6	WMC-43	43
WMC-7	7	WMC-44	44
WMC-8	8	WMC-45	45
WMC-9	9	WMC-46	46
WMC-10	10	WMC-73	73
WMC-11	11	WMC-81	81
WMC-12	12	WMC-104	104
WMC-13	13	WMC-1-33	1-33
WMC-14	14	WMC-34-66	34-66
WMC-15	15	WMC-67-99	67-99
WMC-16	16	WMC-100-124	100-124
WMC-17	17	WMC--	--
WMC-18	18	WMC-A	A
WMC-19	19	WMC-B	B
WMC-20	20	WMC-C	C
WMC-21	21	WMC-D	D
WMC-22	22	WMC-E	E
WMC-23	23	WMC-F	F
WMC-24	24	WMC-G	G
WMC-25	25	WMC-H	H
WMC-26	26	WMC-I	I
WMC-27	27	WMC-N	N
WMC-28	28	WMC-S	S
WMC-29	29	WMC-W	W
WMC-30	30	WMC-X	X
WMC-31	21	WMC-Y	Y
WMC-32	32	WMC-Z	Z
WMC-35	35	WMC-A-Z	A-Z
WMC-36	36		
WMC-33	33		
WMC-34	34		

WIRE MARKING / ID Voltage Markers VM SERIES

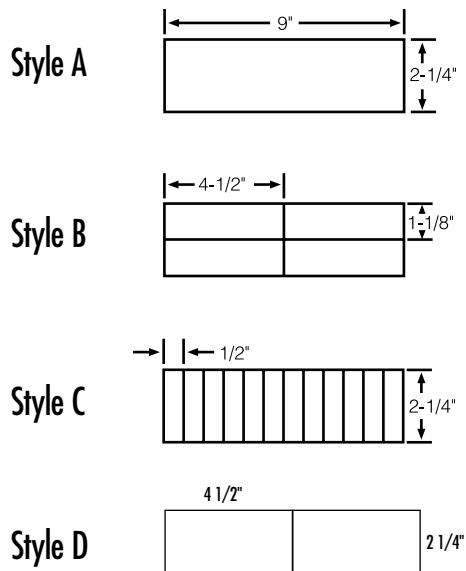
480 VOLTS



FEATURES

- Pressure-sensitive vinyl markers for marking power lines, conduit bus, fuse boxes, switches and other electrical equipment, stocked in three convenient sizes.
- Standard Carton Quantity of 25.
- Black lettering on orange background.

STYLES



CAT. NO.	SYMBOL	CAT. NO.	SYMBOL
VM-A-3	120 Volts	VM-B-32	Three Phase
VM-A-4	208 Volts	VM-B-35	120V to 208V
VM-A-5	220 Volts	VM-B-36	120V to 240V
VM-A-7	240 Volts	VM-B-37	277V to 480V
VM-A-9	277 Volts	VM-B-48	Danger High Voltage
VM-A-11	440 Volts	VM-B-49	24 Volts
VM-A-12	460 Volts	VM-C-1	110 Volts
VM-A-13	480 Volts	VM-C-3	120 Volts
VM-A-15	600 Volts	VM-C-4	208 Volts
VM-A-18	2400 Volts	VM-C-5	220 Volts
VM-A-19	4160 Volts	VM-C-7	240 Volts
VM-A-20	4800 Volts	VM-C-9	277 Volts
VM-A-25	12470 Volts	VM-C-11	440 Volts
VM-A-27	13200 Volts	VM-C-12	460 Volts
VM-A-28	13800 Volts	VM-C-13	480 Volts
VM-A-30	Single Phase	VM-C-15	600 Volts
VM-A-32	Three Phase	VM-C-19	4160 Volts
VM-A-35	120V to 208V	VM-C-20	4800 Volts
VM-A-36	120V to 240V	VM-C-25	12470 Volts
VM-A-37	277V to 480V	VM-C-30	Single Phase
VM-A-48	Danger High Voltage	VM-C-32	Three Phase
VM-A-49	24 Volts	VM-C-35	120V to 208V
VM-B-1	110 Volts	VM-C-36	120V to 240V
VM-B-3	120 Volts	VM-C-37	277V to 480V
VM-B-4	208 Volts	VM-C-48	Danger High Voltage
VM-B-5	220 Volts	VM-C-49	24 Volts
VM-B-7	240 Volts	VM-D-48	Danger High Voltage
VM-B-9	277 Volts		
VM-B-13	480 Volts		
VM-B-15	600 Volts		
VM-B-27	13200 Volts		
VM-B-28	13800 Volts		
VM-B-30	Single Phase		

LOCKOUT / TAGOUT

Self-Adhesive Labels and Spiral Wrap

VL, DSS, SR SERIES



FEATURES

- Self-adhesive labels are sub-surface printed polyester labels.
- Rigid signs are available in either polycarbonate or polyester material.

CAUTION

In Accordance with OSHA Standard 1910.147, All Equipment, Machines and Processes Shall Be Locked Out Prior to Servicing. Lockout Procedures are Posted in the Main Operating Area and/or by the Main Energy Source of Each Machine. If You Have any Questions About the Lockout Procedures, Please See Your Supervisor or the Safety Director. This Standard Will Be Strictly Enforced.

CAT. NO.	LEGEND	SIZE (IN.)	STD. CTN. QTY.
VL-4	Remove All Doubt. Lock it Out.	2 1/4 x 4 1/2	25
VL-7	Warning Potential Arc-Flash Hazards Exist While Working on this Energized Equipment	2 1/4 x 4 1/2	25
DSS-5	High Voltage	10 x 14	25
DSS-6	High Voltage Keep Out	10 x 14	25

SPIRAL WRAP

- Permits flexible routing of cable harnesses while forming a neat, protective bundle.
- Twists on easily and allows lead-outs at any point.

POLYETHYLENE

- For general indoor use with good resistance to ordinary solvents and abrasion.

UV POLYETHYLENE

- Ultraviolet resistance for general outdoor use with good resistance to ordinary solvents and abrasion.

NYLON

- For use in wider temperature ranges with high resistance to abrasion and good solvent resistance.



CAT. NO.	COLOR	MATERIAL	O.D.	I.D.	BUNDLE RANGE	LENGTH (FT.)	STD. CTN. QTY.
SRPE-250	Natural	Polyethylene	0.236	0.157	0.157 - 1.97	100	1
SRPE-375	Natural	Polyethylene	0.393	0.295	0.295 - 2.36	100	1
SRPE-500	Natural	Polyethylene	0.472	0.354	0.354 - 2.56	100	1
SRPE-2500	Black	UV Polyethylene	0.236	0.157	0.157 - 1.97	100	1
SRPE-3750	Black	UV Polyethylene	0.393	0.295	0.295 - 2.36	100	1
SRPE-5000	Black	UV Polyethylene	0.472	0.354	0.354 - 2.56	100	1

LOCKOUT / TAGOUT

Detectable Underground Line and Barricade Tapes

ULT, ULTD, BT SERIES



FEATURES

DETECTABLE UNDERGROUND LINE TAPE

- Consists of a minimum 5 mil overall thickness with no less than a 35 gauge solid aluminum foil core, which allows for easy detection. Specially formulated to resist degradation by elements normally encountered in soil. All printing is encased to avoid ink rub-off with environmentally safe ink. Custom legends are available, contact NSi for details.

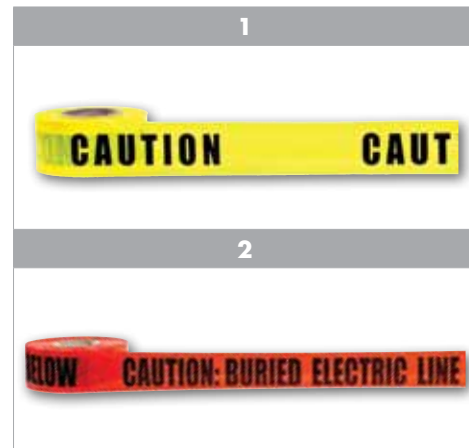
BARRICADE TAPE

- Made of long lasting, non-adhesive polyethylene for exceptional quality, durability and performance. Used above ground to mark off hazards. Supplied in 1,000 ft. rolls.

UNDERGROUND LINE TAPE

- Underground tapes are impervious to alkalines, acids and other soil components for the protection, location and identification of underground utility installations. Consists of a 4 mil overall thickness, inert 100 percent virgin low-density polyethylene plastic film formulated for underground use and environmentally safe ink. Custom legends are available, contact NSi for details.

CAT. NO.	COLOR	LEGEND	LENGTH (FT.)	WIDTH (IN.)	STD. CTN. QTY.
ULTD-327	Red	Caution Buried Electric Line Below	1000	3	8
ULTD-342	Orange	Caution Buried Fiber Optic Line Below	1000	3	8
ULTD-343	Yellow	Caution Buried Communication Line Below	1000	3	8
ULTD-626	Yellow	Caution Buried Electric Line Below	1000	6	4
ULTD-627	Red	Caution Buried Electric Line Below	1000	6	4
ULTD-636	Orange	Caution Buried Telephone Line Below	1000	6	4
ULTD-643	Yellow	Caution Buried Communication Line Below	1000	6	4



CAT. NO.	FIG. NO.	COLOR	LEGEND	USE	LENGTH (FT.)	WIDTH (IN.)	STD. CTN. QTY.
BT-305	1	Yellow	Caution	Above ground	1000	3	8
BT-308	1	Yellow	Caution Do Not Enter	Above ground	1000	3	8
ULT-326	2	Yellow	Caution Buried Electric Line Below	Underground	1000	3	8
ULT-327	2	Red	Caution Buried Electric Line Below	Underground	1000	3	8
ULT-626	2	Yellow	Caution Buried Electric Line Below	Underground	1000	6	4
ULT-627	2	Red	Caution Buried Electric Line Below	Underground	1000	6	4





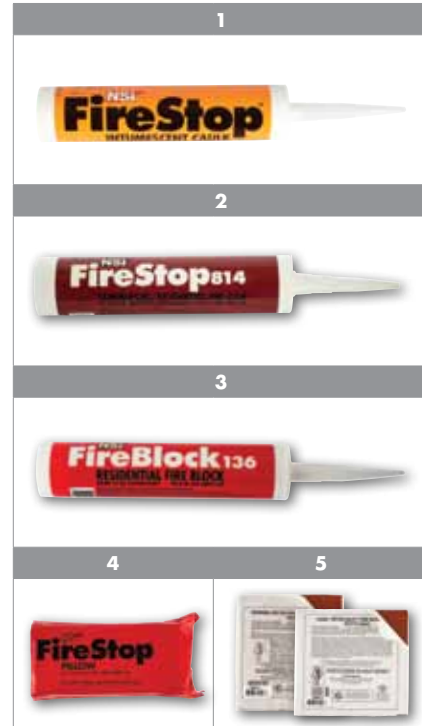
FIRESTOP™

FIRESTOP™ Residential & Commercial Caulk, Pillows & Putty Pads FS SERIES

FEATURES

- See individual features for each product below.

RATINGS



CAT. NO.	FIG. NO.	DESCRIPTION	WEIGHT (OZ)	LENGTH (IN)	WIDTH (IN)	HEIGHT (IN)	STD. CTN. QTY.
FSIC-10	1	FireStop™ Intumescent Caulk	10	–	–	–	12
FS-814	2	FireStop814™ Residential and Commercial	10	–	–	–	12
FS-136	3	FireBlok136™ Residential Fire Block	10	–	–	–	12
FSP	4	Firestop Pillows	–	8.000	4.000	2.000	25
FSPP-1	5	Fire Rated Putty Pad	–	6.000	7.000	–	20
FSPP-2	5	Fire Rated Putty Stick Pad	–	7.000	7.000	–	20

FireStop™ INTUMESCENT CAULK

FireStop™ Intumescent Caulk is water-based, single component elastomeric sealant intended for use as a firestop system component. It forms an economical yet durable, flexible and watertight bond with most construction materials. It is applied independently for “caulk and walk” systems or over mineral wool or backer rod to seal the openings where building services such as pipes and cables penetrate fire rated assemblies. Will not crack or crumble as the physical properties remain stable over time. It tools easily and cleans up with water. May be applied by caulking gun or trowel. ASTM–E 814 and UL 1479.



FireStop814™ CAULK

FireStop814™ Fire stopping caulk is a single component, non-combustible, non-intumescent material for residential and commercial applications. Colored red for easy inspection, FireStop814 creates an effective barrier against flames, smoke, and toxic gasses and has superior adhesion and gunnability. FireStop814 is for use in annular spaces around wires and pipes, in one- and two-hour fire rated assemblies. It restores the integrity of firestops in residential and commercial construction. Meets UL 1479/ ASTM-E814 standards.

FireBlock136™ CAULK

FireBlock136™ Fire-blocking caulk is a single component, non-combustible material for residential applications. Colored red for easy inspection, FireBlock136 creates an effective barrier against flames, smoke, and toxic gasses and has superior adhesion and gunnability. FireBlock136 is for use in annular spaces around wires, pipes, ducts, vents and other penetrating items at ceiling and floor openings; and room to room in wood and steel frame constructions. It restores the integrity of fireblocks in one and two family construction. Exceeds ASTM-E136 standards for fireblocking residential requirements prescribed by all major-model building codes, and also meets or exceeds requirements of UBC, BOCA, SBC, IRC, NYS and MA codes. Meets UL 1479/ ASTM-E136 standards.

FIRE RATED PUTTY PADS

NSi Fire Rated Putty is a moldable non-curing, one-component fire rated material for through penetration fire stop systems. In the event of a fire, Putty will expand when exposed to fire, forming an insulating char, which prevents the spread of flames, smoke, gas and water through penetration openings. Installation is easy as there are no additives, there is no mixing and no curing time is required. The putty is applied by hand and adheres to all common building surfaces. Putty can be installed in confined or occupied spaces since there are no volatile solvents or asbestos fillers.

NSi Putty systems are rated up to 3 hours in accordance with ASTM E 814, UL 1479 and ULC/CAN4-S115-M standards. NSi Fire Rated Putty is available in sticks or pads. Moldable Putty Pads are available in two sizes, 6" x 7" x 1/8" or 7" x 7" x 1/8", and are classified as a wall opening protective material. Use them to protect metal electrical cabinets, outlet boxes and mechanical cabinets. STC Rating 49.

FireStop™ PILLOWS

FireStop™ Pillows are a single step firestop system component. Intended for wall and/or floor openings through fire separations where temporary or permanent firestops are required. They are ideal where cable retrofitting is frequent and anticipated. Quick and clean single product installation. Self-supporting – no wire lath or mesh is required. They are to be packed tightly into the voids between penetrating items and the perimeter of the opening. During a fire, the intumescent component within each pillow dramatically expands to seal the opening from fire, thereby maintaining the integrity of the fire separation. FireStop Pillows consist of an intumescent layer sandwiched between non-combustible insulation, all enclosed in a hermetically sealed polyethylene shell. No sealant or putty is required. Easy to install, easy to remove – a quick and clean single product installation. ASTM E 814 and UL 1479.

FIRESTOP™ Ratings & UL Systems

CONDUIT AND EMT

MAX. PEN. DIA.	RATING (HR.)	MAX. OPENING	FLOOR OR WALL SYSTEM	NSI FIRESTOP REQUIRED PRODUCT(S)	APPLICATION THICKNESS	SYSTEM NO.	PAGE NO.
6 in. conduit & EMT or smaller	2	0 in to 7/8 in. annulus	Floor - concrete (2-1/2 in. min.), Wall - concrete, concrete block or precast units	NSi FireStop Intumescent Caulk	Min. 1/4 in. thick within annulus flush with top of floor or both surfaces of wall	C-AJ-1511	212
6 in. conduit & EMT or smaller	2	0 in. to 1/2 in. annulus	Wall – gypsum board	NSi FireStop Intumescent Caulk	Min. 1-1/4 in. thick within annulus flush with both surfaces of wall	W-L-1349	212
6 in. conduit & EMT or smaller	1	1/4 in. to 1/2 in. annulus	Wall – gypsum board	NSi FireStop Intumescent Caulk	Min. 5/8 in. thick within annulus flush with both surfaces of wall	W-L-1351	213
3 in. conduit & EMT or smaller	2	0 in. to 1-3/4 in. annulus	Wall – gypsum board	NSi FireStop Intumescent Caulk	Min. 1-1/4 in. thick within annulus flush with both surfaces of wall	W-L-1348	214
4 in. conduit & EMT or smaller	1	0 in. to 1/2 in. annulus	Floor – lumber Ceiling – gypsum board	NSi FireStop Intumescent Caulk	Min. 3/4 in. thick within annulus on top of floor Min. 5/8 in. thick within annulus on bottom surface of ceiling	F-C-1128	214

CABLE LARGER OPENINGS

TYPE OF PENETRATION	RATING (HR.)	MAX. OPENING	FLOOR OR WALL SYSTEM	NSI FIRESTOP REQUIRED PRODUCT(S)	APPLICATION THICKNESS	SYSTEM NO.	PAGE NO.
Coaxial, fiber optic & 24 AWG	3	288 sq. in.	Floor – concrete, Wall - concrete or concrete block	NSi FireStop Pillows	Installed with 8 in. dimension projecting through floor or wall & centered within opening	C-AJ-4073	215
Coaxial, fiber optic, 24 AWG & data cable	3	288 sq. in.	Floor – concrete, Wall – concrete or concrete block	NSi FireStop Pillows	Installed with 8 in. dimension projecting through floor or wall & centered within opening	C-AJ-4074	216
Cables	1	0 in. to. 1/4 in annulus	Floor – lumber Ceiling – gypsum board	NSi FireStop Intumescent Caulk	Min. 1-1/4 in. thick within annulus on top of floor Min. 1/2 in. thick within annulus on bottom surface of ceiling	F-C-3084	216

NON-METALLIC CONDUIT

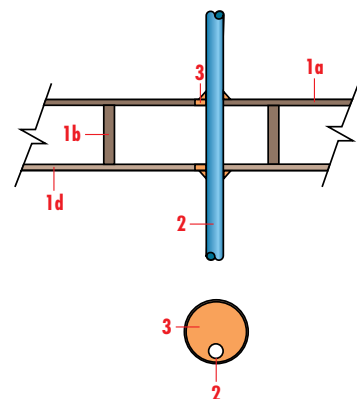
MAX. PEN. DIA.	RATING (HR.)	MAX. OPENING	FLOOR OR WALL SYSTEM	NSI FIRESTOP REQUIRED PRODUCT(S)	APPLICATION THICKNESS	SYSTEM NO.	PAGE NO.
2, PVC, CPVC, ABS & Rigid conduit or smaller	1	1/4 in.	Floor – lumber Ceiling - gypsum board	NSi FireStop Intumescent Caulk	Min. 3/4 in. thick within annulus on top of floor. Min. 5/8 in. thick within annulus on bottom surface of ceiling	F-C-2297	215



F Rating – 1 hr., T Ratings – 3/4 hr. and 1 hr. (See Item 2)

1. Floor-Ceiling Assembly – The fire-rated wood joist floor-ceiling assembly shall be constructed of the materials and in the manner specified in Design No. L512, L513 or L514 in the UL Fire Resistance Directory and shall include the following construction features:

- a) **Flooring System** – Lumber or minimum 1/2 in. plywood subfloor with lumber or minimum 3/4 in. plywood finish floor or Floor-Topping Mixture as specified in the individual floor-ceiling design. Maximum diameter of floor opening is 5/8 in.
- b) **Wood Joists** – Nom. 2 x 10 in. lumber joists, spaced 16 in. oc. with nom. 1 x 3 in. lumber bridging and with ends firestopped.
- c) **Furring Channels (not shown)** – Resilient galv. steel furring installed perpendicular to wood joist between wallboard and wood joist and spaced maximum 24 in. oc.
- d) **Wallboard, Gypsum** – Nom. 4 ft. wide x 5/8 in. thick as specified in the individual floor-ceiling design. Wallboard attached to wood joists or furring channels as specified in the individual floor-ceiling design. Maximum diameter of ceiling opening is 5/8 in.



2. Cables – One cable to be installed either eccentrically or concentrically in opening with annular space between the cable and periphery of opening of min. 0 in. (point of contact) to maximum 14 in. Cable to be rigidly supported on both sides of floor-ceiling assembly. The following types of cables may be used:

- a) Maximum 3/C (with ground) No. 12 AWG (or smaller) with polyvinyl chloride (PVC) insulation and jacket.
- b) Maximum 3/C (with ground) No. 14 AWG (or smaller) with PVC jacketed aluminium or steel clad, Type RW90.
- c) Type RG6U coaxial cable with fluorinated ethylene propylene insulation and jacket.
- d) Maximum 2/C (with ground) No. 14 AWG (or smaller), type NM90, with nylon jacket.
- e) Maximum 8/C No. 24 AWG (or smaller), type CMR MPR, with polyvinyl chloride (PVC) insulation and jacket.

The T Rating of the firestop system is dependent upon the type of cable used, as tabulated below:

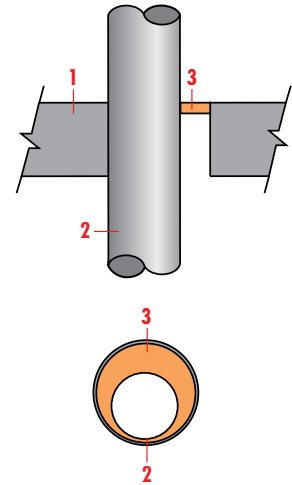
CABLE TYPE	T-RATING (HR.)
a, b, c and e	1
d	3/4

3. Fill, void or cavity material – NSi FireStop Intumescent Caulk. On top of assembly, a minimum 1-1/4 in. thickness of fill material applied within the annulus on top surface of floor. On bottom assembly, a minimum 1/2 in. thickness of fill material applied within annulus on bottom surface of ceiling. Additional fill material to be installed such that a minimum 1/2 in. thick crown is formed around the through penetrant on both sides of floor-ceiling assembly.

UL SYSTEM NO. C-AJ-1511

F Rating – 2 hr., T Rating – 0 hr.

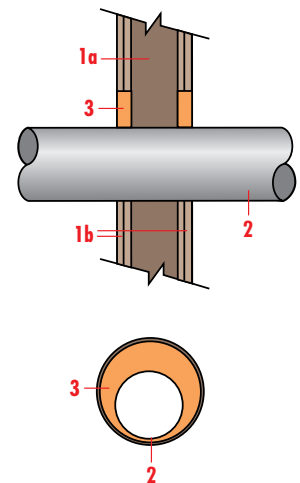
- Floor or wall assembly** – Minimum 2½ in. thick reinforced lightweight or normal weight (100-150 pcf) concrete floor. Floor may also be constructed of any minimum 6 in. thick UL Classified hollow-core precast concrete units. Wall may also be constructed of any UL Classified concrete blocks. Maximum diameter of opening is 24 7/8 in. Maximum diameter of opening in floors constructed of hollow-core is 7 in. See Concrete Blocks (CAZT) or Precast Concrete Units (CFTV) category in the Fire Resistance Directory for names of manufacturers.
- Through Penetrant** – One metallic pipe, conduit or tubing to be installed within the firestop system. Pipe, conduit or tubing to be rigidly supported on both sides of floor or wall assembly. The annular space between the pipe or conduit and the periphery of opening shall be a minimum of 0 in. (point contact) to a maximum of 7/8 in. The following types and sizes of metallic pipes, conduits or tubing may be used:
 - Steel pipe – Nom. 24 in. diameter (or smaller) Schedule 10 (or heavier) steel pipe.
 - Iron pipe – Nom. 24 in. diameter (or smaller) cast or ductile iron pipe.
 - Conduit – Nom. 6 in. diameter (or smaller) steel electrical metallic tubing or steel conduit.
 - Copper pipe or tubing – Nom. 6 in. diameter (or smaller) Type L (or heavier) copper tubing.
- Fill, void or cavity material** – NSi FireStop Intumescent Caulk. Minimum ½ in. thickness of caulk applied within the annulus, flush with top surface of floor or with both surfaces of wall. In floors constructed of hollow-core precast concrete units, fill material installed symmetrically on both sides of floor. Additional material installed to form a minimum ¼ in. crown bead at the point contact location between the pipe and periphery of the opening. For vertical installations, sealant to be applied symmetrically on both sides of wall.



UL SYSTEM NO. W-L-1349

F Rating – 2 hr., T Rating – 0 hr.

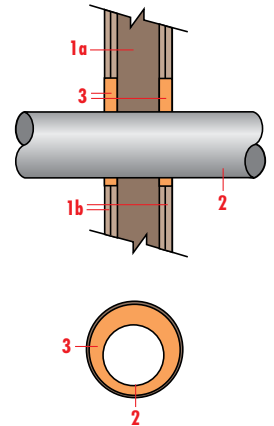
- Wall Assembly** – The fire-rated gypsum wallboard/stud wall assembly shall be constructed of the materials and in the manner described in the individual U300 or U400 Series Wall or Partition Design in the UL Fire Resistance Directory and shall include the following construction features:
 - Studs – Wall framing may consist of either wood studs or steel channel studs. Wood studs to consist of nom. 2 x 4 in. lumber spaced 16 in. oc. Steel studs to be minimum 3 3/8 in. wide and spaced maximum 24 in. oc. When steel studs are used and the diameter of openings exceeds the width of stud cavity, the opening shall be framed on all sides using lengths of steel stud installed between vertical studs and screw-attached to the studs at each end. The framed opening in the wall shall be 4 to 6 in. wider and 4 to 6 in. higher than the diameter of the penetrating item such that, when the penetrating item is installed in the opening, a 2 to 3 in. clearance is present between the penetrating item and the framing on all four sides.
 - Wallboard, Gypsum – 5/8 in. thick, 4 ft. wide with square or tapered edges. The gypsum wall board type, thickness, number of layers, fastener type and sheet orientation shall be as specified in the individual U300 or U400 Series Design in the UL Fire Resistance Directory. Maximum diameter of opening is 6 5/8 in.
- Through Penetrant** – One metallic pipe, conduit or tubing to be installed either concentrically or eccentrically within the firestop system. The annular space between pipes, conduits or tubing and the periphery of opening shall be a minimum of 0 in. (point contact) to a maximum of 1/2 in. Pipe, tubing or conduit to be rigidly supported on both sides of wall assembly. The following types and sizes of metallic pipes, tubing or conduits may be used:
 - Steel pipe – Nom. 24 in. diameter (or smaller) Schedule 5 (or heavier) steel pipe.
 - Iron pipe – Nom. 24 in. diameter (or smaller) cast or ductile iron pipe.
 - Conduit – Nom. 6 in. diameter (or smaller) steel electrical metallic tubing or steel conduit.
 - Copper Tubing – Nom. 6 in. diameter (or smaller) Type L (or heavier) copper tubing.
 - Copper Pipe – Nom. 6 in. diameter (or smaller) Regular (or heavier) copper pipe.
- Fill, void or cavity material** – Sealant – NSi FireStop Intumescent Caulk. Minimum 1/4 in. thickness of fill material applied within the annulus, flush with both surfaces of wall. At the point contact location between through penetrant and gypsum wall board, a minimum 1/2 in. diameter bead of fill material shall be applied at the gypsum wallboard/through penetrant interface on both surfaces of wall.



UL SYSTEM NO. W-L-1351

F Rating – 1 hr., T Rating – 0 hr.

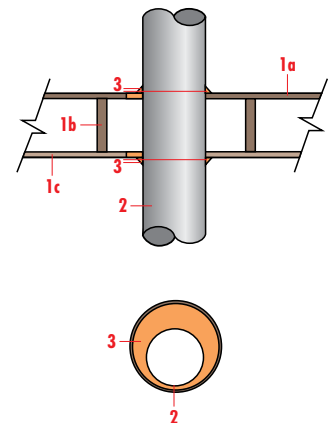
- 1. Wall Assembly** – The 1 hr. fire-rated gypsum wallboard/stud wall assembly shall be constructed of the materials and in the manner described in the individual U300 or U400 Series Wall or Partition Design in the UL Fire Resistance Directory and shall include the following construction features:
 - a) Studs** – Wall framing may consist of either wood studs or steel channel studs. Wood studs to consist of nom. 2 x 4 in. lumber spaced 16 in. oc. Steel studs to be minimum 3 3/8 in. wide and spaced maximum 24 in. oc. When steel studs are used and the diameter of openings exceeds the width of stud cavity, the opening shall be framed on all sides using lengths of steel stud installed between vertical studs and screw-attached to the studs at each end. The framed opening in the wall shall be 4 to 6 in. wider and 4 to 6 in. higher than the diameter of the penetrating item such that, when the penetrating item is installed in the opening, a 2 to 3 in. clearance is present between the penetrating item and the framing on all four sides.
 - b) Wallboard, Gypsum** – 5/8 in. thick, 4 ft. wide with square or tapered edges. The gypsum wall board type, thickness, number of layers, fastener type and sheet orientation shall be as specified in the individual U300 or U400 Series Design in the UL Fire Resistance Directory. Maximum diameter of opening is 24 3/4 in. for steel stud walls. Maximum diameter opening is 14 1/2 in. for wood stud walls.
- 2. Through Penetrant** – One metallic pipe, conduit or tubing to be installed either concentrically or eccentrically within the firestop system. The annular space between pipes, conduits or tubing and the periphery of opening shall be a minimum of 1/4 in. to a maximum of 1/2 in. Pipe, tubing or conduit to be rigidly supported on both sides of wall assembly. The following types and sizes of metallic pipes, tubing or conduits may be used:
 - a) Steel pipe** – Nom. 24 in. diameter (or smaller) Schedule 5 (or heavier) steel pipe.
 - b) Iron pipe** – Nom. 24 in. diameter (or smaller) cast or ductile iron pipe.
 - c) Conduit** – Nom. 6 in. diameter (or smaller) steel electrical metallic tubing or steel conduit.
 - d) Copper Tubing** – Nom. 6 in. diameter (or smaller) Type L (or heavier) copper tubing.
 - e) Copper Pipe** – Nom. 6 in. diameter (or smaller) Regular (or heavier) copper pipe.
- 3. Fill, void or cavity material** – Sealant – NSi FireStop Intumescent Caulk. Minimum 3/8 in. thickness of fill material applied within the annulus, flush with both surfaces of wall.



UL SYSTEM NO. W-L-1128

F Rating – 1 hr., T Rating – 0 hr.

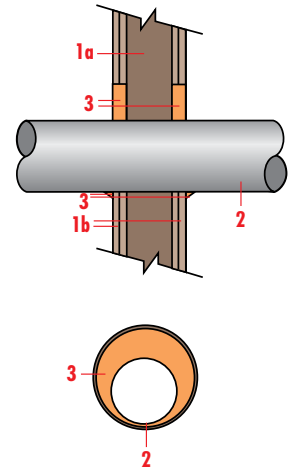
- 1. Floor-Ceiling Assembly** – The 1 hr. fire-rated solid or trussed lumber joist floor-ceiling assembly shall be constructed of the materials and in the manner specified in the individual L500 Series Floor-Ceiling Designs in the UL Fire Resistance Directory and shall include the following construction features:
 - a) Flooring System** – Lumber or plywood subfloor with finish floor of lumber, plywood or Floor-Topping Mixture as specified in the individual floor-ceiling design. Maximum diameter of floor opening is 5 in.
 - b) Wood Joists** – Nom. 10 in. deep (or deeper) lumber, steel or combination lumber and steel joists, trusses or Structural Wood Members with bridging as required and with ends firestopped.
 - c) Wallboard, Gypsum** – Nom. 4 ft. wide x 5/8 in. thick as specified in the individual floor-ceiling design. Wallboard nailed to wood joists.
- 2. Through Penetrant** – One metallic pipe, conduit or tubing to be installed either concentrically or eccentrically within the firestop system. The annular space between pipe, conduit or tubing and the periphery of opening shall be a minimum of 0 in. (point contact) to a maximum of 1/2 in. Pipe, tubing or conduit to be rigidly supported on both sides of wall assembly. The following types and sizes of metallic pipes, tubing or conduits may be used:
 - a) Steel pipe** – Nom. 4 in. diameter (or smaller) Schedule 10 (or heavier) steel pipe.
 - b) Iron pipe** – Nom. 4 in. diameter (or smaller) cast or ductile iron pipe.
 - c) Conduit** – Nom. 4 in. diameter (or smaller) steel electrical metallic tubing or steel conduit.
 - d) Copper Tubing** – Nom. 4 in. diameter (or smaller) Type L (or heavier) copper tubing.
 - e) Copper Pipe** – Nom. 4 in. diameter (or smaller) Regular (or heavier) copper pipe.
- 3. Fill, void or cavity material** – NSi FireStop Intumescent Caulk. Minimum 3/4 in. thickness of fill material applied within the annulus on top surface of floor. Minimum 3/8 in. thickness of fill material applied within annulus on bottom surface of ceiling. Additional fill material to be installed such that a minimum 1/2 in. thick crown is formed around the through penetrant on top surface of floor-ceiling assembly.



UL SYSTEM NO. W-L-1348

F Rating – 2 hr., T Rating – 0 hr.

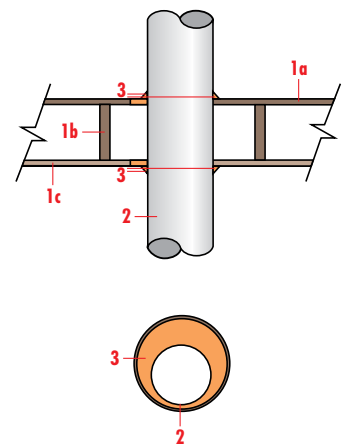
- 1. Wall Assembly** – The 2 hr. fire-rated gypsum wallboard/stud wall assembly shall be constructed of the materials and in the manner described in the individual U300 or U400 Series Wall or Partition Design in the UL Fire Resistance Directory and shall include the following construction features:
 - Studs – Wall framing may consist of either wood studs or steel channel studs. Wood studs to consist of nom. 2 x 4 in. lumber spaced 16 in. oc. with nom. 2 x 4 in. lumber end plates and cross braces. Steel studs to be minimum 3 5/8 in. wide and spaced maximum 24 in. oc. When steel studs are used and the diameter of openings exceeds the width of stud cavity, the opening shall be framed on all sides using lengths of steel stud installed between vertical studs and screw-attached to the studs at each end. The framed opening in the wall shall be 4 to 6 in. wider and 4 to 6 in. higher than the diameter of the penetrating item, such that when the penetrating item is installed in the opening, a 2 to 3 in. clearance is present between the penetrating item and the framing on all four sides.
 - Wallboard, Gypsum – 5/8 in. thick, 4 ft. wide with square or tapered edges. The gypsum wall board type, thickness, number of layers, fastener type and sheet orientation shall be as specified in the individual U300 or U400 Series Design in the UL Fire Resistance Directory. Maximum diameter of opening is 5 in.
- 2. Through Penetrant** – One metallic pipe, conduit or tubing to be installed either concentrically or eccentrically within the firestop system. The annular space between pipes, conduits or tubing and the periphery of opening shall be a minimum of 0 in. (point contact) to a maximum of 1 3/4 in. Pipe, tubing or conduit to be rigidly supported on both sides of wall assembly. The following types and sizes of metallic pipes, tubing or conduits may be used:
 - Steel pipe – Nom. 3 in. diameter (or smaller) Schedule 5 (or heavier) steel pipe.
 - Conduit – Nom. 3 in. diameter (or smaller) steel electrical metallic tubing or galv. steel conduit.
 - Copper Tubing – Nom. 3 in. diameter (or smaller) Type L (or heavier) copper tubing.
 - Copper Pipe – Nom. 3 in. diameter (or smaller) Regular (or heavier) copper pipe.
- 3. Fill, void or cavity material** – Sealant – NSi FireStop Intumescent Caulk. Minimum 1/4 in. thickness of fill material applied within the annulus, flush with both surfaces of wall. At the point contact location between through penetrant and gypsum wall board, a minimum 3/8 in. diameter bead of fill material shall be applied at the gypsum wallboard/through penetrant interface on both surfaces of wall.



UL SYSTEM NO. F-C-2297

F Rating – 1 hr., T Rating – 0 hr.

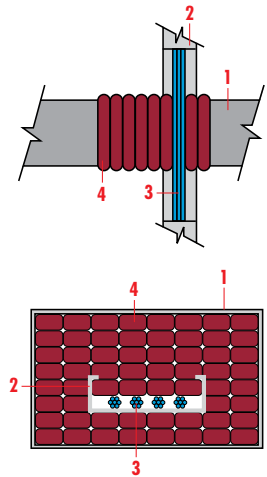
- 1. Floor-Ceiling Assembly** – The fire-rated wood joist floor-ceiling assembly shall be constructed of the materials and in the manner specified in the individual L505, L511, or L536 Designs in the UL Fire Resistance Directory and shall include the following construction features:
 - Flooring System – Lumber or plywood subfloor with finish floor of lumber, plywood or Floor-Topping Mixture as specified in the individual floor-ceiling design. Maximum diameter of opening is 2.875 in.
 - Wood Joists – Nom. 2 x 10 in. lumber joists spaced 16 in. oc. with nom. 1 x 3 in. lumber bridging and with ends firestopped
 - Wallboard, Gypsum – Nom. 4 ft. wide x 5/8 in. thick as specified in the individual floor-ceiling design. Maximum diameter of ceiling opening is 2.875 in.
- 2. Through Penetrant** – One nonmetallic pipe or conduit to be installed approximately midway between wood joists and centered within the firestop system. Diameter of openings hole-sawed through flooring system and one layer through gypsum wallboard ceiling to be nom. 1/2 in. larger than the outside diameter of through penetrant. Pipe or conduit to be rigidly supported on both sides of floor-ceiling assembly. The following types and sizes of nonmetallic pipes or conduits may be used:
 - Polyvinyl Chloride (PVC) Pipe – Nom. 2 in. diameter (or smaller) Schedule 40 cellular or solid core PVC pipe for use in closed (process or supply) or vented (drain, waste, or vent) piping systems.
 - Acrylonitrile Butadiene Styrene (ABS) Pipe – Nom. 2 in. diameter (or smaller) Schedule 40 cellular or solid core ABS pipe for use in closed (process or supply) or vented (drain, waste, or vent) piping systems.
 - Chlorinated Polyvinyl Chloride (CPVC) Pipe – Nom. 2 in. diameter (or smaller) SDR 17 CPVC pipe for use in closed (process or supply) or vented (drain, waste, or vent) piping systems.
 - Rigid Nonmetallic Conduit – Nom. 2 in. diameter (or smaller) Schedule 40 PVC conduit installed in accordance with Article 347 of the National Electrical Code (NFPA No. 70).
- 3. Fill, void or cavity material** – NSi FireStop Intumescent Caulk. Minimum 3/4 in. thickness of fill material applied within the annulus on top surface of floor. Minimum 5/8 in. thickness of fill material applied within annulus on bottom surface of ceiling or top plate of chase wall assembly. Additional fill material to be installed such that a minimum 1/8 in. thick crown is formed around the through penetrant on top surface of floor-ceiling assembly.



UL SYSTEM NO. C-A-4073

F Rating – 3 hr., T Rating – 1½ hr.

- Floor or wall assembly** – Minimum 5 in. thick reinforced normal weight concrete. Wall may also be constructed of any UL Classified concrete blocks. Maximum area of opening is 288 sq. in. with a maximum dimension of 24 in. See Concrete Blocks (CAZT) category in the Fire Resistance Directory for names of manufacturers.
- Cable Tray** – Maximum 12 in. wide by maximum 3⅝ in. deep (maximum 3 in. deep loading depth) trough type cable tray with channel-shaped side rails formed of No. 18 MSG (0.048 in.) thick galvanized steel and with 4 in. wide by No. 18 MSG (0.048 in.) thick ventilated type rungs spaced 10 in. oc. Maximum one cable tray to be installed either concentrically or eccentrically within the firestop system. The annular space between the cable tray and the periphery of opening shall be a minimum of 1/2 in. to a maximum of 7 in. Cable tray to be rigidly supported on both sides of floor or wall assembly.
- Cables** – Maximum four individual cable bundles, each containing a maximum seven cables, to be installed within cable tray. Maximum diameter of individual cable bundles shall be 2 in. Cable bundles to be spaced a minimum 1/2 in. to a maximum 3 in. oc. Any combination of the following types and sizes of cables may be used:
 - Maximum 3 pair No. 24 AWG (or smaller) copper conductor cables with polyvinyl chloride (PVC) insulation and jacket.
 - Maximum 2 fiber 62.5/125 μm fiber optic cable with PVC insulation and jacket.
 - Maximum RG/U (or smaller) coaxial copper conductor cable with fluorinated ethylene insulation and jacket materials.
- Fill, Void or Cavity Materials** – NSi FireStop Pillows. Maximum 8 in. long x 4 in. wide x 2 in. deep thick pillow-like material. Pillows shall be tightly packed into opening to fill the annular space between cables and periphery of opening and between cable tray and periphery of opening. Pillows installed with 8 in. dimension projecting through floor or wall and centered within the opening.

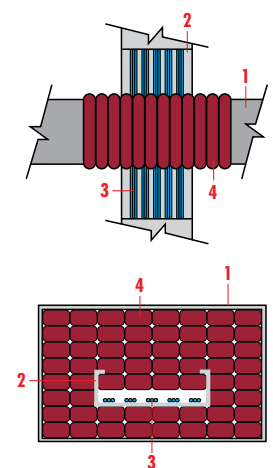


UL SYSTEM NO. C-AJ-4074

(For Horizontal or Vertical Separations)

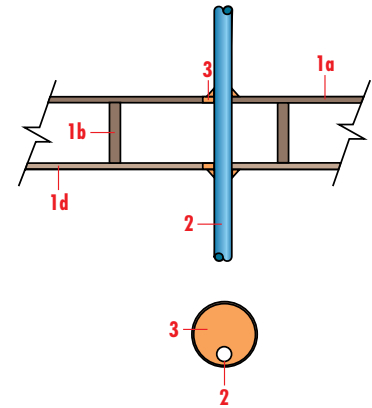
F Rating – 3 hr., T Rating – 0 hr.

- Floor or wall assembly** – Minimum 4½ in. thick reinforced lightweight (100 pcf) concrete. Maximum size of opening is 288 sq. in. with maximum dimension of 24 in. Wall may also be constructed of any UL Classified concrete blocks. See Concrete Blocks (CAZT) category in the Fire Resistance Directory for names of manufacturers.
- Cable Tray** – Maximum 12 in. wide by maximum 3⅝ in. deep (maximum 3 in. deep loading depth) trough type cable tray with channel-shaped side rails formed of No. 18 MSG (0.048 in.) thick galvanized steel and with 4 in. wide by No. 18 MSG (0.048 in.) thick ventilated type rungs spaced 10 in. oc. Maximum one cable tray to be installed either concentrically or eccentrically within the firestop system. The annular space between the cable tray and the periphery of opening shall be a minimum of 1/2 in. to a maximum of 7 in. Cable tray to be rigidly supported on both sides of floor or wall assembly.
- Cables** – Aggregate cross-sectional area of cables in cable tray to be 25% of the cross-sectional area of the cable tray based on a maximum 3 in. cable loading within the cable tray. Any combination of the following types and sizes of cables may be used:
 - Maximum 287 lengths of cables, each with 3 pair No. 24 AWG Type D telephone cables with PVC insulation and jacket.
 - Maximum 24 lengths of double stranded fiber optic cables, 1/8 in. diameter with PVC insulation and jacket.
 - Maximum 12 lengths of coaxial cable, 1/4 in. diameter, 22 AWG solid copper conductor with polyethylene insulation and PVC jacket.
 - Maximum 12 lengths of data cable, Alcatel 380100, E107890, 24 AWG CMR, with PVC jacket.
- Fill, Void or Cavity Materials** – NSi FireStop Pillows. Maximum 8 in. long x 4 in. wide x 2 in. deep thick pillow-like material. Pillows shall be tightly packed into opening to fill the annular space between cables and periphery of opening and between cable tray and periphery of opening. Pillows installed with 8 in. dimension projecting through floor or wall and centered within the opening.



F Rating – 1 hr., T Ratings – 3/4 hr. and 1 hr. (See Item 2)

- 1. Floor-Ceiling Assembly** – The fire-rated wood joist floor-ceiling assembly shall be constructed of the materials and in the manner specified in Design No. L512, L513 or L514 in the UL Fire Resistance Directory and shall include the following construction features:
- a) **Flooring System** – Lumber or minimum 1/2 in. plywood subfloor with lumber or minimum 3/4 in. plywood finish floor or Floor-Topping Mixture as specified in the individual floor-ceiling design. Maximum diameter of floor opening is 5/8 in.
 - b) **Wood Joists** – Nom. 2 x 10 in. lumber joists, spaced 16 in. oc. with nom. 1 x 3 in. lumber bridging and with ends firestopped.
 - c) **Furring Channels (not shown)** – Resilient galv. steel furring installed perpendicular to wood joist between wallboard and wood joist and spaced maximum 24 in. oc.
 - d) **Wallboard, Gypsum** – Nom. 4 ft. wide x 5/8 in. thick as specified in the individual floor-ceiling design. Wallboard attached to wood joists or furring channels as specified in the individual floor-ceiling design. Maximum diameter of ceiling opening is 5/8 in.



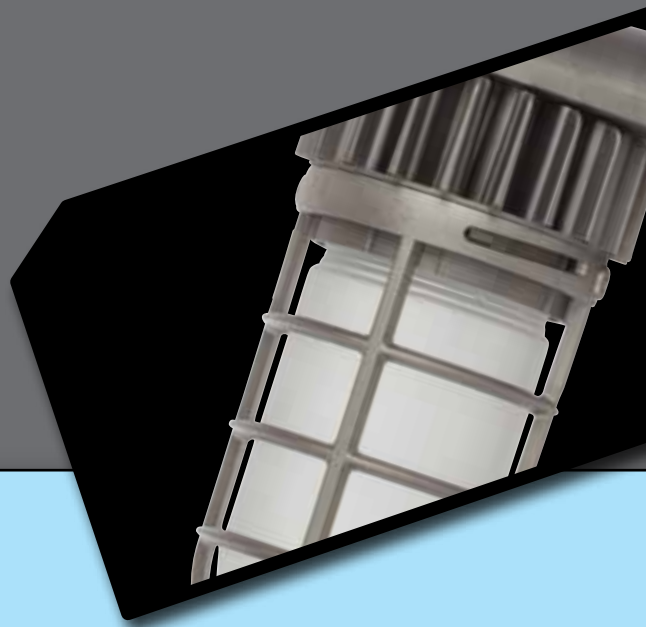
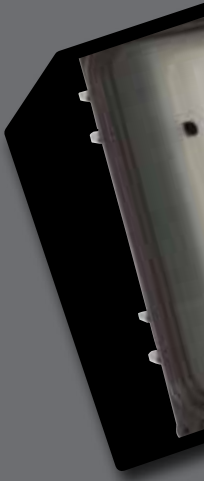
- 2. Cables** – One cable to be installed either eccentrically or concentrically in opening with annular space between the cable and periphery of opening of min. 0 in. (point contact) to maximum 14 in. Cable to be rigidly supported on both sides of floor-ceiling assembly. The following types of cables may be used:
- a) Maximum 3/C (with ground) No. 12 AWG (or smaller) with polyvinyl chloride (PVC) insulation and jacket.
 - b) Maximum 3/C (with ground) No. 14 AWG (or smaller) with PVC jacketed aluminium or steel clad, Type RW90.
 - c) Type RG6U coaxial cable with fluorinated ethylene propylene insulation and jacket.
 - d) Maximum 2/C (with ground) No. 14 AWG (or smaller), type NM90, with nylon jacket.
 - e) Maximum 8/C No. 24 AWG (or smaller), type CMR MPR, with polyvinyl chloride (PVC) insulation and jacket.

The T Rating of the firestop system is dependent upon the type of cable used, as tabulate below:

CABLE TYPE	T-RATING (HR.)
a, b, c and e	1
d	3/4

- 3. Fill, void or cavity material** – NSi FireStop Intumescent Caulk. On top of assembly, a minimum 1 1/4 in. thickness of fill material applied within the annulus on top surface of floor. On bottom assembly, a minimum 1/2 in. thickness of fill material applied within annulus on bottom surface of ceiling. Additional fill material to be installed such that a minimum 1/2 in. thick crown is formed around the through penetrant on both sides of floor-ceiling assembly.







LIGHTING

LED LIGHTING

Wallpack LED 13W PC

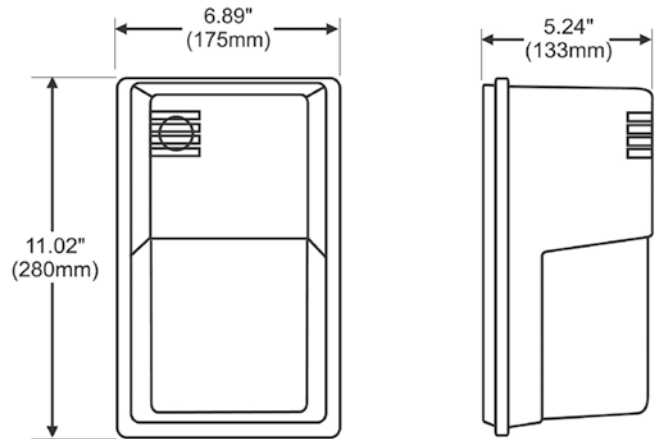
WP13LEDPC



FEATURES

- Die cast aluminum body with polycarbonate housing.
- Architectural bronze finish.
- UV stabilized powder coated finish.
- Quick mount installation.
- Color temperature - 4700k.
- High impact resistant lens with built-in photocontrol.
- Equipped with photocontrol.

Ruggedly designed prismatic wall lighter that effectively diffuses and distributes the highly efficient LED output to maximizing spread and utilization while minimizing wattage consumption. Ideal for energy retrofit rebates when replacing 70W or lower Metal Halide or HPS units.



RATINGS



cULus Listed for wet locations.

CAT. NO.	SYSTEM WATTS	LUMEN OUTPUT	COLOR	MA	INPUT VOLTAGE	CRI	STARTING TEMP.	EQUIVALENT
WP13LEDPC	13	615lm**	4700K	1000	120-277VAC	70+	-30 °C	50W - 70W MH

**DISCLAIMER: this test report was produced in accordance with IES LM-79 photometric testing protocol for luminaires, using a single representative test fixture.
CRI: Color Rendering Index.

LED LIGHTING

Small Wallpack LED 12W

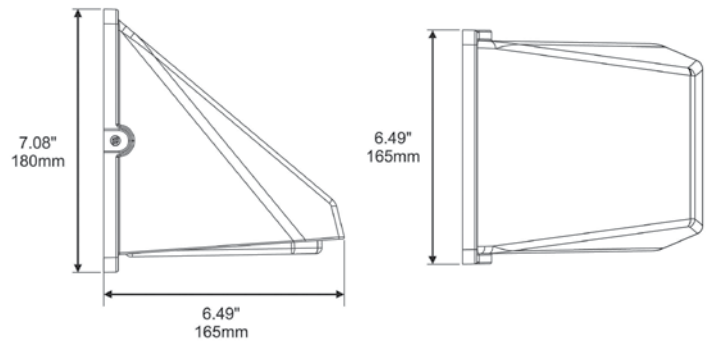
WP12LED



FEATURES

- Die cast aluminum body with polycarbonate cover.
- Architectural bronze finish.
- UV stabilized powder coated finish.
- Quick mount installation.
- Color temperature - 5000k.
- High impact polycarbonate/diffuser.
- Ip65 rated enclosure.

This luminaire combines function and design with built-in heat sinks on top of the LED engine. This luminaire will provide effective lighting for a long time. Brilliant light illumination from the prismatic polycarbonate cover. Efficient and versatile, this fitting is suitable for both indoor and outdoor use. Ideal for apartments, motels and property maintenance.



RATINGS



cULus Listed for wet locations.

CAT. NO.	SYSTEM WATTS	LUMEN OUTPUT	COLOR	MA	INPUT VOLTAGE	CRI	STARTING TEMP.	EQUIVALENT
WP12LED	12	828lm**	5000K	300	277VAC	70+	-30 °C	50W-70W MH

**DISCLAIMER: this test report was produced in accordance with IES LM-79 photometric testing protocol for luminaires, using a single representative test fixture.
CRI: Color Rendering Index.

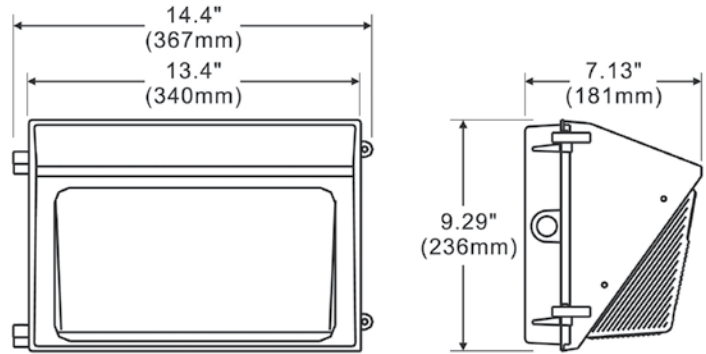
LED LIGHTING
Wallpack LED 36W
WP36LED



FEATURES

- Die cast aluminum housing.
- Architectural bronze finish.
- UV stabilized powder coated finish.
- Uniform light distribution.
- Color temperature - 4700k.
- Heat & impact resistant borosilicate glass lens.
- New generation led module.

Utilizing the latest generation of LED and chip technology, this uniquely designed wall-pack delivers a similar light output to a 100-150W Metal Halide while consuming 1/3 of the energy. Appearance and high performance finish make this an ideal fixture for outdoor use. Fixture is full-cutoff Dark Sky Compliant.



RATINGS



cULus Listed for wet locations.

CAT. NO.	SYSTEM WATTS	LUMEN OUTPUT	COLOR	MA	INPUT VOLTAGE	CRI	STARTING TEMP.	EQUIVALENT
WP36LED	36	2520lm**	4700K	950	120-277VAC	70+	-30 °C	100W - 150W MH

**DISCLAIMER: this test report was produced in accordance with IES LM-79 photometric testing protocol for luminaires, using a single representative test fixture.
 CRI: Color Rendering Index.

LED LIGHTING

Wallpack LED 38W

WP38LED



FEATURES

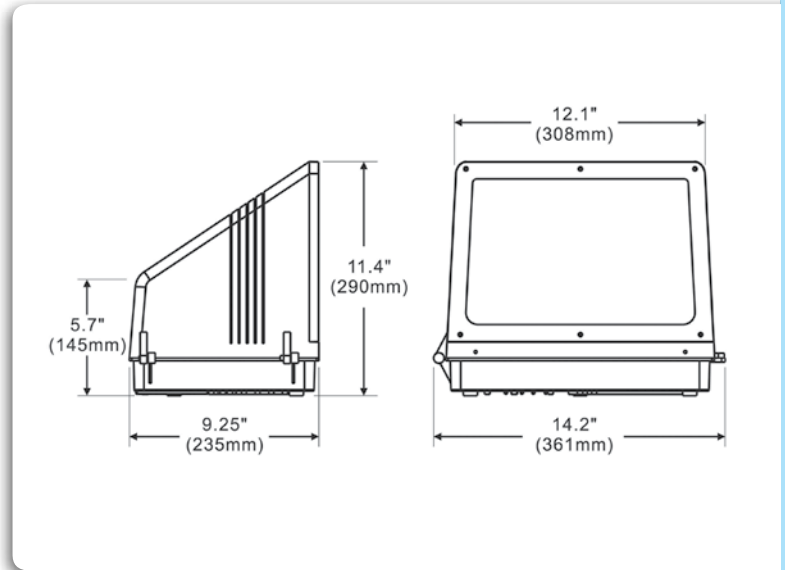
- Die cast aluminum housing.
- Architectural bronze finish.
- UV stabilized powder coated finish.
- Uniform light distribution.
- Color temperature - 4700k.
- Heat & impact resistant tempered glass lens.
- IP65 rated enclosure & IC protection.
- DLC Listed (Design Lights Consortium).

Utilizing the latest generation of LED and chip technology, this uniquely designed wallpack delivers a similar light output to a 150W Metal Halide while consuming 1/3 of the energy. Appearance and high performance finish make this an ideal fixture for outdoor use. Fixture is full-cutoff Dark-Sky compliant.

RATINGS



cULus Listed for wet locations.



CAT. NO.	SYSTEM WATTS	LUMEN OUTPUT	COLOR	MA	INPUT VOLTAGE	CRI	STARTING TEMP.	EQUIVALENT
WP38LED	38	2752lm**	4700K	700	120-277VAC	70+	-30 °C	150W MH

**DISCLAIMER: this test report was produced in accordance with IES LM-79 photometric testing protocol for luminaires, using a single representative test fixture. CRI: Color Rendering Index.

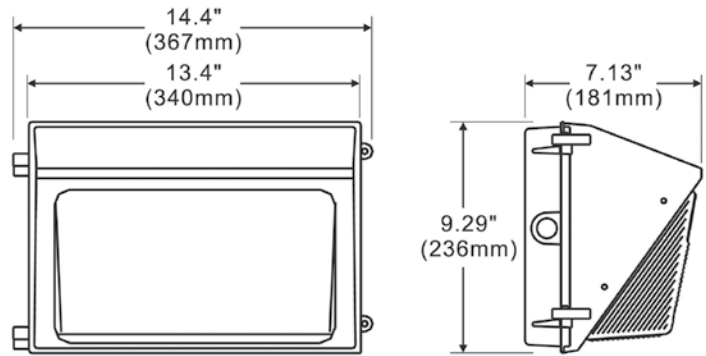
LED LIGHTING
Wallpack LED 68W
WP68LED



FEATURES

- Die cast aluminum housing.
- Architectural bronze finish.
- UV stabilized powder coated finish.
- Uniform light distribution.
- Color temperature - 4700k.
- Heat & impact resistant borosilicate glass lens.
- IC protection.
- New generation LED module.

Utilizing the latest generation of LED and chip technology, this uniquely designed wallpack delivers a similar light output to a 150-200W Metal Halide while consuming 1/3 of the energy. Appearance and high performance finish make this an ideal fixture for outdoor use. Fixture is full-cutoff Dark-Sky compliant.



RATINGS



cULus Listed for wet locations.

CAT. NO.	SYSTEM WATTS	LUMEN OUTPUT	COLOR	MA	INPUT VOLTAGE	CRI	STARTING TEMP.	EQUIVALENT
WP68LED	68	4887lm**	4700K	950	120-277VAC	70+	-30 °C	150W - 200W MH

**DISCLAIMER: this test report was produced in accordance with IES LM-79 photometric testing protocol for luminaires, using a single representative test fixture.
 CRI: Color Rendering Index.

LED LIGHTING

Wallpack LED 77W

WP77LED



FEATURES

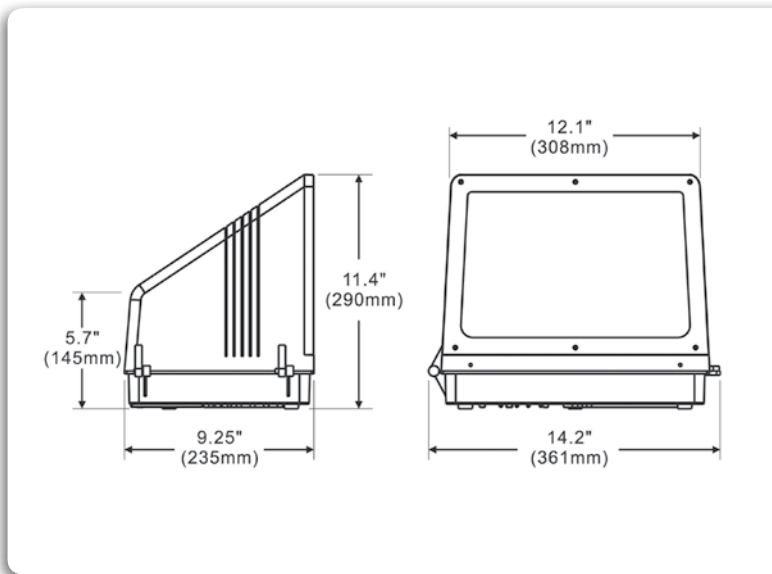
- Die cast aluminum housing.
- Architectural bronze finish.
- UV stabilized powder coated finish.
- Uniform light distribution.
- Color temperature - 4700K.
- Heat & impact resistant tempered glass lens.
- IP65 rated enclosure & IC protection.
- DLC Listed (Design Lights Consortium).

Utilizing the latest generation of LED and chip technology, this uniquely designed wallpack delivers a similar light output to a 250W Metal Halide while consuming 1/3 of the energy. Appearance and high performance finish make this an ideal fixture for outdoor use. Fixture is full-cutoff Dark-Sky compliant.

RATINGS



cULus Listed for wet locations.



CAT. NO.	SYSTEM WATTS	LUMEN OUTPUT	COLOR	MA	INPUT VOLTAGE	CRI	STARTING TEMP.	EQUIVALENT
WP77LED	77	5036lm**	4700K	700	120-277VAC	70+	-30 °C	250W MH

**DISCLAIMER: this test report was produced in accordance with IES LM-79 photometric testing protocol for luminaires, using a single representative test fixture. CRI: Color Rendering Index.

LED LIGHTING
Medium LED 20W
Flood Light
FL20LED



FEATURES

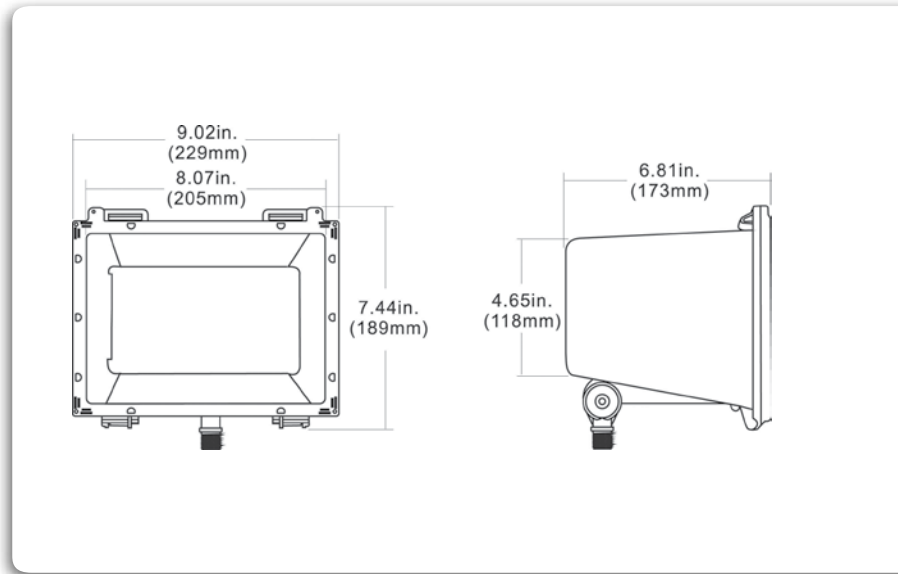
- Die cast aluminum housing.
- Architectural bronze finish.
- UV stabilized powder coated finish.
- Low starting temperature -30 °C.
- Color temperature - 4700K.
- IC current controlled LED circuits.

Energy conserving powerful floodlight. Pro-environment, green, long life LED flood lighting. Adapting the most dependable LED light source, the fixture uses aluminum with a high heat conducting coefficient ensuring conduction of surface heat.

RATINGS



cULus Listed for wet locations.



CAT. NO.	SYSTEM WATTS	LUMEN OUTPUT	COLOR	INPUT VOLTAGE	CRI	STARTING TEMP.	EQUIVALENT
FL20LED	20	1588lm**	4700K	120-277VAC	75+	-30 °C	70W-100W MH

**DISCLAIMER: this test report was produced in accordance with IES LM-79 photometric testing protocol for luminaires, using a single representative test fixture.
 CRI: Color Rendering Index.

LED LIGHTING

Large LED 40W Flood Light

FL40LED



LED LIGHTING

FEATURES

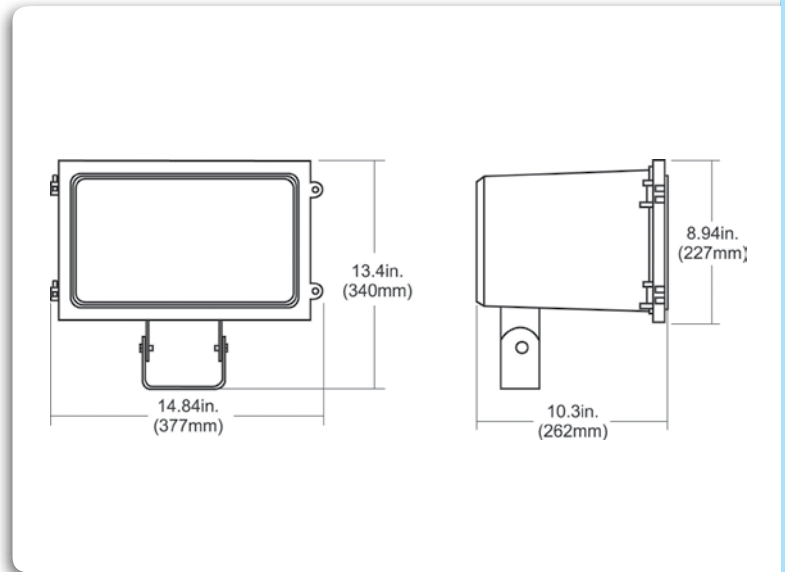
- Die cast aluminum housing.
- Architectural bronze finish.
- UV stabilized powder coated finish.
- Low starting temperature -30 °C.
- Color temperature - 4700K.
- IC Current Controlled LED Circuits.

Energy conserving powerful floodlight. More light than a 150W halogen for about 1/7th the energy. Relamping once every 12~15 years instead of every 6 months. Perfect for hard-to-service locations. Rugged diecast design ensures LED's operate at optimum temperature for long life. Sealed against the environment for long reliable service life.

RATINGS



cULus Listed for wet locations.



CAT. NO.	SYSTEM WATTS	LUMEN OUTPUT	COLOR	INPUT VOLTAGE	CRI	STARTING TEMP.	EQUIVALENT
FL40LED	40	3176lm**	4700K	120-277VAC	75+	-30 °C	150W-200W MH

**DISCLAIMER: this test report was produced in accordance with IES LM-79 photometric testing protocol for luminaires, using a single representative test fixture.
CRI: Color Rendering Index.

LED LIGHTING

Security Light LED 35W DTD35LED



FEATURES

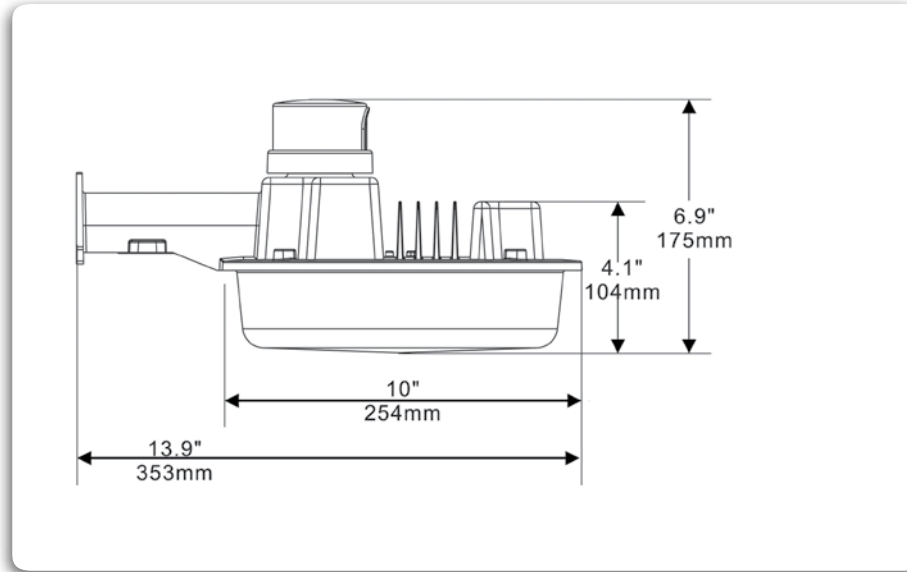
- Die cast aluminum housing.
- Silver finish.
- UV stabilized powder coated finish.
- Uniform light distribution.
- Color temperature - 5000k.
- Impact resistant lens.
- Photocontrol included.

The Dusk-to-Dawn Fixture of the future is here. Utilizing a single source LED, this dusk-to-dawn provides prismatic-designed light output for any environment. It comes with NEMA approved photocontrol which, when used with LED provides significant power savings. Maintaining all the strengths of the traditional dusk-to-dawn fixtures (such as installation brackets and arms) while employing the latest generation of LEDs, this LED dusk to dawn will last for years to come.

RATINGS



cULus Listed for wet locations.



CAT. NO.	SYSTEM WATTS	LUMEN OUTPUT	COLOR	MA	INPUT VOLTAGE	CRI	STARTING TEMP.	EQUIVALENT
DTD35LED	35	2650lm**	5000K	950	120VAC	70+	-30 °C	100W-150W MH

**DISCLAIMER: this test report was produced in accordance with IES LM-79 photometric testing protocol for luminaires, using a single representative test fixture.
CRI: Color Rendering Index.

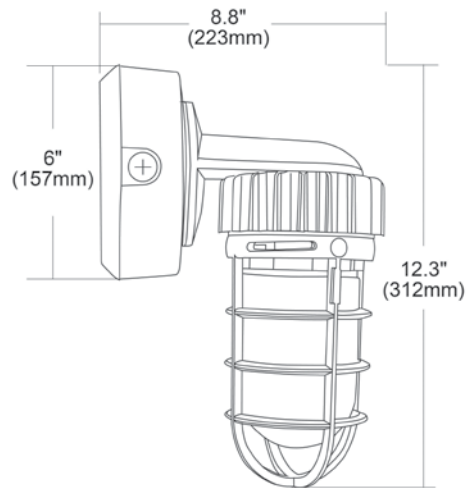
LED LIGHTING
Vaportite LED 13W
Wall Mount
VTW13LED



FEATURES

- Die cast aluminum housing.
- Silver finish.
- UV stabilized powder coated finish.
- Uniform light distribution.
- Color temperature - 5000k.
- Heat & impact resistant tempered glass lens.
- IP65 rated & IC protection.
- DLC Listed (Design Lights Consortium).

Heavy duty vapor-proof LED light is built to last. With industrial-grade rubber gaskets as sealants and automobile grade aluminum, this LED light is a beacon. With a COB LED inside, it provides performance lighting while utilizing very little power. Die-cast guard on the outside of the glass protects the high power LED. Fixture can be used in warehouse, docks, restaurants, and many other applications.



RATINGS



cULus Listed for wet locations.

CAT. NO.	SYSTEM WATTS	LUMEN OUTPUT	COLOR	MA	INPUT VOLTAGE	CRI	STARTING TEMP.	EQUIVALENT
VTW13LED	13	670lm**	5000K	700	120-277VAC	70+	-30 °C	50W-70W MH

**DISCLAIMER: this test report was produced in accordance with IES LM-79 photometric testing protocol for luminaires, using a single representative test fixture.
 CRI: Color Rendering Index.

LED LIGHTING
Vaportite LED 13W
Ceiling Mount
VTC13LED



FEATURES

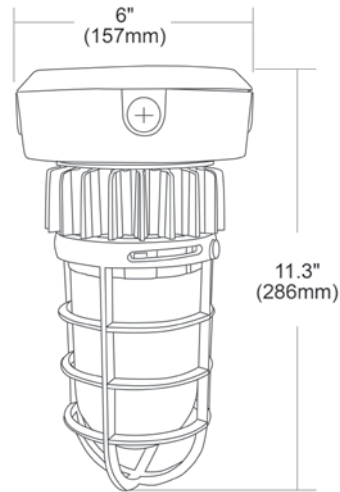
- Die cast aluminum housing.
- Silver finish.
- UV stabilized powder coated finish.
- Low starting temperature -30 °C.
- Color temperature - 5000k.
- 1/2" Conduit.
- Plugs on all 4 sides.

Heavy duty vapor-proof LED light is built to last. With industrial-grade rubber gaskets as sealants and automobile grade aluminum, this LED light is a beacon. With a COB LED inside, it provides performance lighting while utilizing very little power. Die cast guard on the outside of the glass protects the high power LED. Fixture can be used in warehouse, docks, restaurants, and many other applications.

RATINGS



cULus Listed for wet locations.



CAT. NO.	SYSTEM WATTS	LUMEN OUTPUT	COLOR	MA	INPUT VOLTAGE	CRI	STARTING TEMP.	EQUIVALENT
VTC13LED	13	670lm**	5000K	700	120-277VAC	70+	-30 °C	50W-70W MH

**DISCLAIMER: this test report was produced in accordance with IES LM-79 photometric testing protocol for luminaires, using a single representative test fixture.
 CRI: Color Rendering Index.



LED LIGHTING

Wallpack LED 13W PC

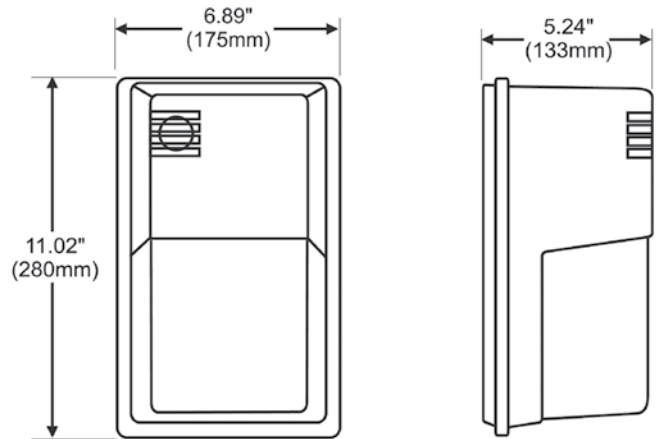
WP13LEDPC



FEATURES

- Die cast aluminum body with polycarbonate housing.
- Architectural bronze finish.
- UV stabilized powder coated finish.
- Quick mount installation.
- Color temperature - 4700k.
- High impact resistant lens with built-in photocontrol.
- Equipped with photocontrol.

Ruggedly designed prismatic wall lighter that effectively diffuses and distributes the highly efficient LED output to maximizing spread and utilization while minimizing wattage consumption. Ideal for energy retrofit rebates when replacing 70W or lower Metal Halide or HPS units.



RATINGS



cULus Listed for wet locations.

CAT. NO.	SYSTEM WATTS	LUMEN OUTPUT	COLOR	MA	INPUT VOLTAGE	CRI	STARTING TEMP.	EQUIVALENT
WP13LEDPC	13	615lm**	4700K	1000	120-277VAC	70+	-30 °C	50W - 70W MH

**DISCLAIMER: this test report was produced in accordance with IES LM-79 photometric testing protocol for luminaires, using a single representative test fixture.
CRI: Color Rendering Index.

LIGHTING

Mini Wallpacks

WP SERIES



HID/OUTDOOR

FEATURES

- For small area fixtures: Doorways, loading docks, commercial, institutional, industrial areas.
- Mini wallpacks are available with a one-piece polycarbonate housing and lens (1) or with a die-cast housing and borosilicate glass lens (2).
- Excellent for security and perimeter lighting and commercial and industrial applications.
- Polycarbonate version available with built-in photocontrol.
- Die cast version can be field installed with photocontrol.
- UL Listed for wet location use.
- Lamp included.



RATINGS



* *energy saving*
FLUORESCENT!

All dimensional data is listed in inches.

CAT. NO.	FIG. NO.	DESCRIPTION	VOLTAGE	HEIGHT	WIDTH	DEPTH	BALLAST	LAMP	BASE
WP42FL*	1	42 Watt Fluorescent	120/277VAC	11	6.9	5.2	Electronic	PLC	–
WP26FLPC*	1	26 Watt Fluorescent with Photocontrol	120/277VAC	11	6.9	5.2	Electronic	PLC	–
WP70S	1	70 Watt Sodium	120VAC	11	6.9	5.2	R-NPF	ED17	Medium
WP70SPC	1	70 Watt Sodium With Photocontrol	120VAC	11	6.9	5.2	R-NPF	ED17	Medium
WPGC100MHQ	2	Die Cast 100 Watt Metal Halide	120/208/240/277VAC	12	7.3	5.3	QUAD HX-NPF	ED17	Medium

LED LIGHTING

Small Wallpack LED 12W

WP12LED



FEATURES

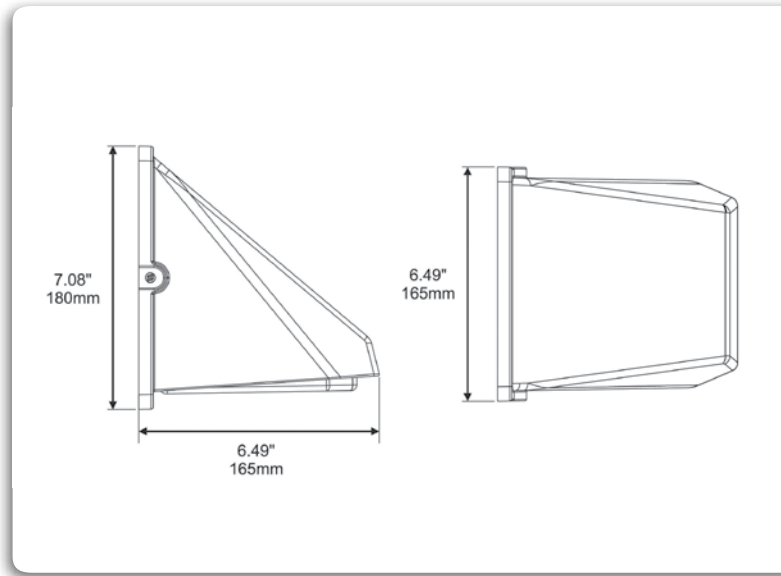
- Die cast aluminum body with polycarbonate cover.
- Architectural bronze finish.
- UV stabilized powder coated finish.
- Quick mount installation.
- Color temperature - 5000k.
- High impact polycarbonate/diffuser.
- Ip65 rated enclosure.

This luminaire combines function and design with built-in heat sinks on top of the LED engine. This luminaire will provide effective lighting for a long time. Brilliant light illumination from the prismatic polycarbonate cover. Efficient and versatile, this fitting is suitable for both indoor and outdoor use. Ideal for apartments, motels and property maintenance.

RATINGS



cULus Listed for wet locations.



CAT. NO.	SYSTEM WATTS	LUMEN OUTPUT	COLOR	MA	INPUT VOLTAGE	CRI	STARTING TEMP.	EQUIVALENT
WP12LED	12	828lm**	5000K	300	277VAC	70+	-30 °C	50W-70W MH

**DISCLAIMER: this test report was produced in accordance with IES LM-79 photometric testing protocol for luminaires, using a single representative test fixture.
CRI: Color Rendering Index.

LIGHTING
Compact Wallpacks
WPC SERIES



COMPACT WALLPACK



- For small area fixtures: Doorways, loading docks, commercial, institutional, industrial areas.
- Compact wallpacks have a die cast housing with powder-coat finish and prismatic polycarbonate lens with gasket.
- Porcelain medium base socket assembly.
- One piece semi-specular asymmetric anodized aluminum reflector.
- UL Listed for wet location use.
- Lamp included.

All dimensional data is listed in inches.

CAT. NO.	DESCRIPTION	VOLTAGE	BALLAST	HEIGHT	WIDTH	DEPTH	LAMP	BASE
WPC70MHQ	70 Watt Metal Halide Polycarbonate Lens	120/208/240/277VAC	QUAD HX-NPF	9.5	8.5	7	ED17	Medium
WPC100S	100 Watt Sodium Polycarbonate Lens	120VAC	R-NPF	9.5	8.5	7	ED17	Medium

COMPACT WALLPACK - DIE CAST



- For small area fixtures: Doorways, loading docks, commercial, institutional, industrial areas.
- Compact wallpacks have a die cast housing with powdercoat finish and prismatic borosilicate glass lens with gasket.
- Porcelain medium base socket assembly.
- One piece semi-specular asymmetric anodized aluminum reflector.
- UL Listed for wet location use.
- Excellent for security and perimeter lighting and commercial and industrial applications.
- Lamp included.

All dimensional data is listed in inches.

CAT. NO.	DESCRIPTION	VOLTAGE	BALLAST	HEIGHT	WIDTH	DEPTH	LAMP	BASE
WPC100MHQ	Compact Wallpack 100 Watt Metal Halide Glass Lens	120/208/240/277VAC	QUAD HX-HPF	9.5	8.5	7.5	ED17	Medium

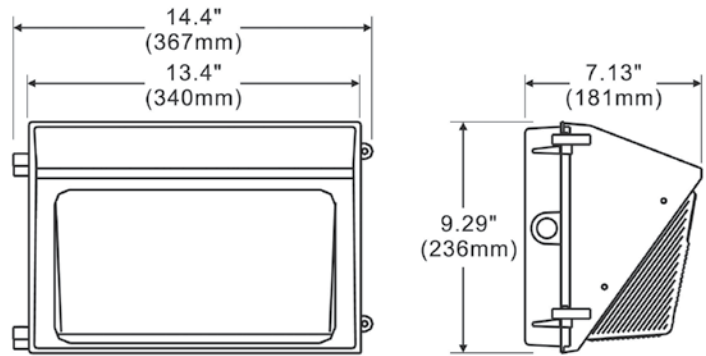
LED LIGHTING
Wallpack LED 36W
WP36LED



FEATURES

- Die cast aluminum housing.
- Architectural bronze finish.
- UV stabilized powder coated finish.
- Uniform light distribution.
- Color temperature - 4700k.
- Heat & impact resistant borosilicate glass lens.
- New generation led module.

Utilizing the latest generation of LED and chip technology, this uniquely designed wall-pack delivers a similar light output to a 100-150W Metal Halide while consuming 1/3 of the energy. Appearance and high performance finish make this an ideal fixture for outdoor use. Fixture is full-cutoff Dark Sky Compliant.



RATINGS

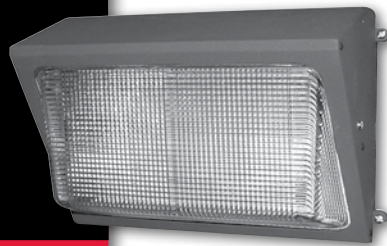


cULus Listed for wet locations.

CAT. NO.	SYSTEM WATTS	LUMEN OUTPUT	COLOR	MA	INPUT VOLTAGE	CRI	STARTING TEMP.	EQUIVALENT
WP36LED	36	2520lm**	4700K	950	120-277VAC	70+	-30 °C	100W - 150W MH

**DISCLAIMER: this test report was produced in accordance with IES LM-79 photometric testing protocol for luminaires, using a single representative test fixture.
 CRI: Color Rendering Index.

LIGHTING
Medium Wallpacks
WPM SERIES



HID/OUTDOOR

FEATURES

- For warehouse, perimeter lighting, security, and retail.
- Die cast housing and lens frame with powdercoat finish and a porcelain medium base socket assembly.
- Front frame is hinged with one piece stippled aluminum reflector.
- Heat and shock resistant borosilicate glass lens, silicone gasketing.
- Listed for wet location use.
- Excellent for security and perimeter lighting and commercial and industrial applications.
- Lamp included.

RATINGS



All dimensional data is listed in inches.

CAT. NO.	DESCRIPTION	VOLTAGE	BALLAST	HEIGHT	WIDTH	DEPTH	LAMP	BASE
WPM100MHQ	100 Watt Metal Halide	120/208/240/277VAC	QUAD HX-HPF	9	14.25	7.1	ED17	Medium
WPM150SQ	150 Watt Sodium	120/208/240/277VAC	QUAD HX-HPF	9	14.25	7.1	ED17	Medium
WPM150S	150 Watt Sodium	120VAC	R-NPF	9	14.25	7.1	ED17	Medium
WPM150MHQP*	150 Watt Metal Halide Pulse Start	120/208/240/277VAC	QUAD PULSE	9	14.25	7.1	ED17	Medium

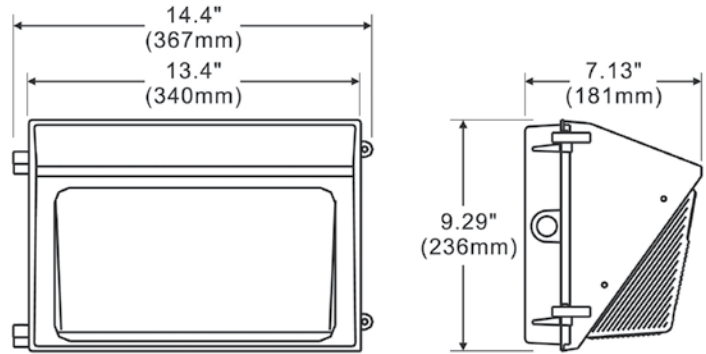
LED LIGHTING
Wallpack LED 68W
WP68LED



FEATURES

- Die cast aluminum housing.
- Architectural bronze finish.
- UV stabilized powder coated finish.
- Uniform light distribution.
- Color temperature - 4700k.
- Heat & impact resistant borosilicate glass lens.
- IC protection.
- New generation LED module.

Utilizing the latest generation of LED and chip technology, this uniquely designed wallpack delivers a similar light output to a 150-200W Metal Halide while consuming 1/3 of the energy. Appearance and high performance finish make this an ideal fixture for outdoor use. Fixture is full-cutoff Dark-Sky compliant.



RATINGS



cULus Listed for wet locations.

CAT. NO.	SYSTEM WATTS	LUMEN OUTPUT	COLOR	MA	INPUT VOLTAGE	CRI	STARTING TEMP.	EQUIVALENT
WP68LED	68	4887lm**	4700K	950	120-277VAC	70+	-30 °C	150W - 200W MH

**DISCLAIMER: this test report was produced in accordance with IES LM-79 photometric testing protocol for luminaires, using a single representative test fixture.
 CRI: Color Rendering Index.

LED LIGHTING Wallpack LED 77W WP77LED



FEATURES

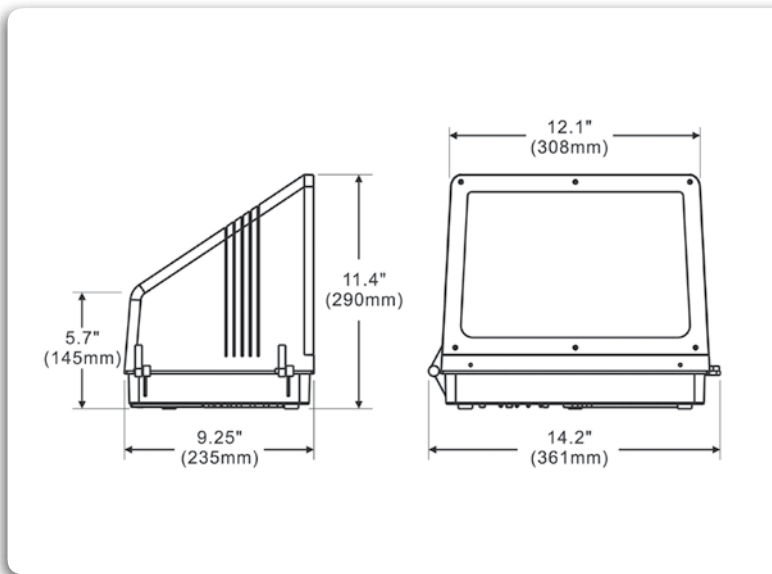
- Die cast aluminum housing.
- Architectural bronze finish.
- UV stabilized powder coated finish.
- Uniform light distribution.
- Color temperature - 4700K.
- Heat & impact resistant tempered glass lens.
- IP65 rated enclosure & IC protection.
- DLC Listed (Design Lights Consortium).

Utilizing the latest generation of LED and chip technology, this uniquely designed wallpack delivers a similar light output to a 250W Metal Halide while consuming 1/3 of the energy. Appearance and high performance finish make this an ideal fixture for outdoor use. Fixture is full-cutoff Dark-Sky compliant.

RATINGS



cULus Listed for wet locations.



CAT. NO.	SYSTEM WATTS	LUMEN OUTPUT	COLOR	MA	INPUT VOLTAGE	CRI	STARTING TEMP.	EQUIVALENT
WP77LED	77	5036lm**	4700K	700	120-277VAC	70+	-30 °C	250W MH

**DISCLAIMER: this test report was produced in accordance with IES LM-79 photometric testing protocol for luminaires, using a single representative test fixture. CRI: Color Rendering Index.

LIGHTING

Large & Large Deep Wallpacks

WPL & WPLD SERIES



WALLPACK – LARGE



- For warehouse, perimeter, security and retail lighting.
- Large wallpacks have a die cast housing with powdercoat finish and a porcelain mogul base socket assembly.
- One piece stippled aluminum reflector.
- Heat and shock resistant borosilicate glass lens, silicone gasketing.
- Listed for wet location use.
- Excellent for security and perimeter lighting, tunnels and commercial and industrial applications.
- Lamp included.

All dimensional data is listed in inches.

CAT. NO.	DESCRIPTION	VOLTAGE	BALLAST	HEIGHT	WIDTH	DEPTH	LAMP	BASE
WPL250SQ	250 Watt Sodium	120/208/240/277VAC	QUAD CWA	9	18.2	9.4	ED18	Mogul
WPL250MHQP*	250 Watt Metal Halide Pulse Start	120/208/240/277VAC	QUAD PULSE	9	18.2	9.4	ED28	Mogul

WALLPACK - LARGE DEEP



- For warehouse, perimeter, security and retail lighting.
- Large Deep wallpacks have a die cast housing with powdercoat finish and a porcelain 4KV mogul socket assembly.
- Specular aluminum reflector. Heat and shock resistant borosilicate glass lens, silicone gasketing.
- Listed for wet location use.
- Excellent for security and perimeter lighting, tunnels and commercial and industrial applications.
- Large Deep wallpacks have an extra deep housing for better cooling and longer lasting Lamp included.



All dimensional data is listed in inches.

CAT. NO.	DESCRIPTION	VOLTAGE	BALLAST	HEIGHT	WIDTH	DEPTH	LAMP	BASE
WPLD400SQ	400 Watt Sodium	120/208/240/277VAC	QUAD CWA	9	18.2	12.8	ED18	Mogul
WPLD250SQ	250 Watt Sodium	120/208/240/277VAC	QUAD CWA	9	18.2	12.8	ED18	Mogul
WPLD320MHQP*	320 Watt Metal Halide Pulse Start	120/208/240/277VAC	QUAD PULSE	9	18.2	12.8	ED37	Mogul
WPLD250MHQP*	250 Watt Metal Halide Pulse Start	120/208/240/277VAC	QUAD PULSE	9	18.2	12.8	ED28	Mogul

LIGHTING
Fluorescent & Compact Floodlight
FLF & FLC SERIES



HID/OUTDOOR

FLUORESCENT FLOOD



- For landscape, facade, security, pathway and sign lighting.
- NSi's non-metallic Fluorescent Floodlight features twin 13 Watt fluorescent lamps, fully silicone gasketed lens and frame.
- Mounts with fully adjustable 1/2" NPT threaded knuckle.
- Listed for wet locations.
- Lamp included.

**energy saving*
FLUORESCENT!

All dimensional data is listed in inches.

CAT. NO.	DESCRIPTION	VOLTAGE	BALLAST	HEIGHT	WIDTH	DEPTH	LAMP
FLF26NM*	Fluorescent Flood 26 Watt Non-metallic	120VAC	ELECTRONIC	4.75	9.25	4.6	PLC

COMPACT FLOOD



- Compact designs are ideal for security, sign, accent and perimeter, landscape, general floodlighting and facade lighting.
- Our Compact Floodlight has a die cast housing and lens frame with powdercoat finish and a one piece high impact tempered lens, 1/2" NPT knuckle assembly.
- The reflector is stippled for glare reduction and controlled beam distribution.
- Hinged lens assembly has silicone gasket to seal out dust and moisture.
- Listed for wet location use.
- Lamp included.



**energy saving*
FLUORESCENT!

All dimensional data is listed in inches.

CAT. NO.	DESCRIPTION	VOLTAGE	BALLAST	HEIGHT	WIDTH	DEPTH	LAMP	BASE
FLC70MHQ	Compact Flood 70 Watt Metal Halide	120/208/240/277VAC	QUAD HX-HPF	7.5	9	7	ED17	Medium
FLC70SQ	Compact Flood 70 Watt Sodium	120/208/240/277VAC	QUAD HX-HPF	7.5	9	7	ED17	Medium
FLC150SQ	Compact Flood 150 Watt Sodium	120/208/240/277VAC	QUAD HX-HPF	7.5	9	7	ED17	Medium
FLC42FL*	Compact Flood 42 Watt Fluorescent	120VAC	ELECTRONIC	7.5	9	7	PLC	Medium

LED LIGHTING
Medium LED 20W
Flood Light
FL20LED



FEATURES

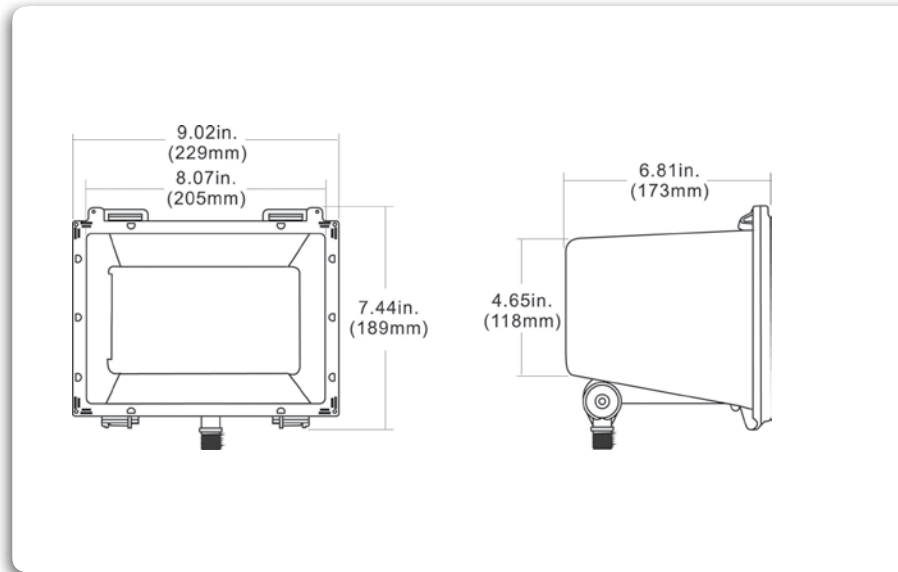
- Die cast aluminum housing.
- Architectural bronze finish.
- UV stabilized powder coated finish.
- Low starting temperature -30 °C.
- Color temperature - 4700K.
- IC current controlled LED circuits.

Energy conserving powerful floodlight. Pro-environment, green, long life LED flood lighting. Adapting the most dependable LED light source, the fixture uses aluminum with a high heat conducting coefficient ensuring conduction of surface heat.

RATINGS



cULus Listed for wet locations.



CAT. NO.	SYSTEM WATTS	LUMEN OUTPUT	COLOR	INPUT VOLTAGE	CRI	STARTING TEMP.	EQUIVALENT
FL20LED	20	1588lm**	4700K	120-277VAC	75+	-30 °C	70W-100W MH

**DISCLAIMER: this test report was produced in accordance with IES LM-79 photometric testing protocol for luminaires, using a single representative test fixture.
 CRI: Color Rendering Index.

LED LIGHTING

Large LED 40W Flood Light

FL40LED



LED LIGHTING

FEATURES

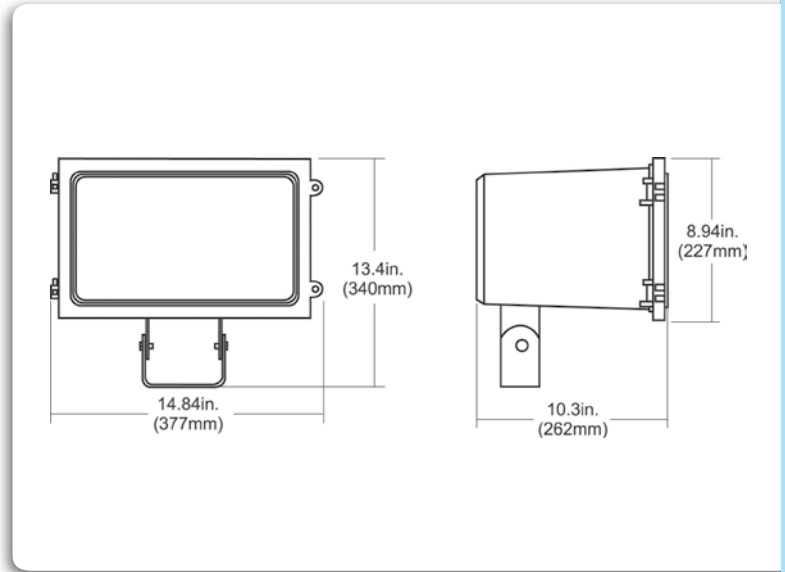
- Die cast aluminum housing.
- Architectural bronze finish.
- UV stabilized powder coated finish.
- Low starting temperature -30 °C.
- Color temperature - 4700K.
- IC Current Controlled LED Circuits.

Energy conserving powerful floodlight. More light than a 150W halogen for about 1/7th the energy. Relamping once every 12~15 years instead of every 6 months. Perfect for hard-to-service locations. Rugged diecast design ensures LED's operate at optimum temperature for long life. Sealed against the environment for long reliable service life.

RATINGS



cULus Listed for wet locations.



CAT. NO.	SYSTEM WATTS	LUMEN OUTPUT	COLOR	INPUT VOLTAGE	CRI	STARTING TEMP.	EQUIVALENT
FL40LED	40	3176lm**	4700K	120-277VAC	75+	-30 °C	150W-200W MH

**DISCLAIMER: this test report was produced in accordance with IES LM-79 photometric testing protocol for luminaires, using a single representative test fixture.
CRI: Color Rendering Index.

LIGHTING

Low Profile Floodlight FLLP SERIES



FEATURES

- For large area perimeter and security lighting: Industrial, storage yards, parking areas, auto dealerships, landscape and recreational areas.
- Our Low-Profile floodlight has a die cast housing with powdercoat finish and comes with three piece anodized aluminum reflector, supplying wide beam distribution.
- High impact tempered lens.
- Listed for wet location use.
- Can be mounted for landscape/facade lighting; Pole tenon mount available.
- Lamp included.

SHOWN MOUNTED ON FLPTM



RATINGS



All dimensional data is listed in inches.

CAT. NO.	DESCRIPTION	VOLTAGE	BALLAST	HEIGHT	WIDTH	DEPTH	LAMP	BASE
FLLP150MHQP*	150 Watt Metal Halide Pulse Start	120/208/240/277VAC	QUAD PULSE	10.25	16.25	10.75	ED28	Mogul
FLLP250MHQP*	250 Watt Metal Halide Pulse Start	120/208/240/277VAC	QUAD PULSE	10.25	16.25	10.75	ED28	Mogul
FLLP320MHQP*	320 Watt Metal Halide Pulse Start	120/208/240/277VAC	QUAD PULSE	10.25	16.25	10.75	ED37	Mogul
FLPTM	Pole Tenon Mount for FLLP Series							

LIGHTING
Medium And Large
Floodlight
FLM & FL SERIES



HID/OUTDOOR

MEDIUM FLOOD



- For compact designs: security, accent and perimeter lighting.
- Ideal for landscape, general floodlighting, signs and facade lighting.
- Die cast housing and hinged top frame with textured bronze finish.
- The aluminum hydroformed reflector is rotatable and is adjustable for horizontal or vertical lamp positions.
- Fixture has adjustable 1/2" NPT threaded knuckle with angle indicators to assist in correct aiming.
- Lamp included.

All dimensional data is listed in inches.

CAT. NO.	DESCRIPTION	VOLTAGE	BALLAST	HEIGHT	WIDTH	DEPTH	LAMP	BASE
FLM70MHQ	70 Watt Metal Halide	120/208/240/277VAC	QUAD CWA	10.25	9	7.25	ED17	Medium

LARGE FLOOD



- For large area perimeter and security lighting: Industrial, storage yards, parking areas, auto dealerships, landscape and recreational areas.
- 16" 400, 320 and 250 Watt Floodlights.
- Heavy duty die cast aluminum housing and durable bronze powdercoat finish.
- Extra heavy duty slipfitter included (bracket mount is available).
- Fixture has silicone gasketing, stainless steel hardware and a tempered glass lens.
- Front lens assembly is fully hinged for easy relamping and maintenance.
- Lamp included.



All dimensional data is listed in inches.

CAT. NO.	DESCRIPTION	VOLTAGE	BALLAST	HEIGHT	WIDTH	DEPTH	LAMP	BASE
FL400SQ	400 Watt Sodium	120/208/240/277VAC	QUAD CWA	17	16.5	7.2	ED18	Mogul
FL320MHQP*	320 Watt Metal Halide Pulse Start	120/208/240/277VAC	QUAD PULSE	17	16.5	7.2	ED28	Mogul
FL250MHQP*	250 Watt Metal Halide Pulse Start	120/208/240/277VAC	QUAD PULSE	17	16.5	7.2	ED28	Mogul
FLBR	Bracket Mount for FL Series 250, 320 and 400 Watt Floods							

LIGHTING
1000 Watt And
Incandescent Floodlight
FLH & PHN SERIES



1000 WATT FLOOD



- For large area perimeter and security lighting: Industrial, storage yards, parking areas, auto dealerships, landscape and recreational areas.
- 23" 1000 Watt Floodlights have heavy duty die cast aluminum housing and durable bronze powdercoat finish.
- Extra heavy duty slipfitter included (bracket mount is available).
- Fixture has silicone gasketing, stainless steel hardware and a tempered glass lens.
- Front lens assembly is fully hinged for easy relamping and maintenance.
- Lamp included.

FLHBR



All dimensional data is listed in inches.

CAT. NO.	DESCRIPTION	VOLTAGE	BALLAST	HEIGHT	WIDTH	DEPTH	LAMP	BASE
FLH1000MHQ	1000 Watt Flood Metal Halide	120/208/240/277VAC	QUAD CWA	29	23.75	10.25	ED37	Mogul
FLH1000SQ	1000 Watt Flood Sodium	120/208/240/277VAC	QUAD CWA	29	23.75	10.25	ED25	Mogul

FLHBR

Bracket Mount For 1000 Watt Flood - FLH Series

INCANDESCENT FLOOD



- Incandescent: General purpose floodlighting
- Quartz: Accent, security, landscape, facades, signs and general purpose floodlighting.
- Oversized backplate designed specially to cover gaps where cutouts for boxes are too big.
- Extra deep backplate also fits over a flush-mounted pancake box to provide a good fit and appearance.
- Both par holders swivel side to side and up and down and can be securely locked.



All dimensional data is listed in inches.

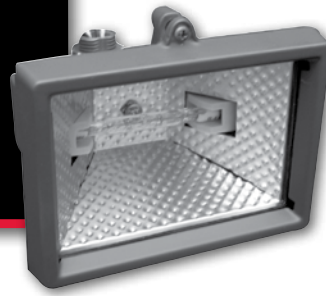
CAT. NO.	DESCRIPTION	DIAMETER (BACKPLATE)	LAMP TYPE
PHNM300	300 Watt Nonmetallic Twin Par Holder	5.25	PAR 38

HID/OUTDOOR

LIGHTING

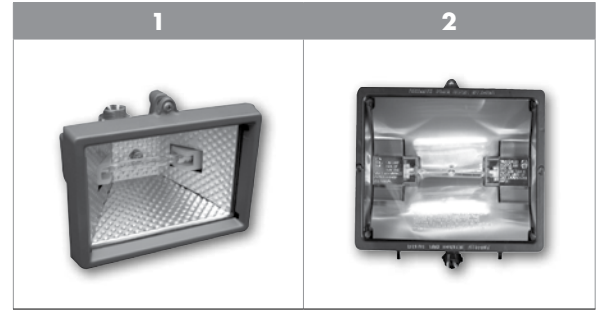
Quartz Floodlight with Lamp

QF SERIES



FEATURES

- For accent, security, landscape, facades, signs and general purpose floodlighting.
- Solid one piece die cast aluminum construction, high impact resistant tempered glass lens, aluminum reflector and corrosion resistant hardware.
- Silicone rubber gasketing is included to prevent leakage from outside.
- UL and CUL listed for wet location use.
- 150 Watt is perfect for lighting small outdoor areas; the others are excellent for general purpose floodlighting.
- Mounts with 1/2" NPT knuckle.
- Lamps included.



RATINGS



All dimensional data is listed in inches.

CAT. NO.	FIG. NO.	DESCRIPTION	VOLTAGE	HEIGHT	WIDTH	EXTENSION
QF150B	1	150 Watt Quartz Flood Bronze With Lamp	120VAC	3.5	3.3	3.9
QF300-500B	2	Quartz Flood Bronze With 300/500 Watt Lamps	120VAC	5.75	5.75	4.6

LIGHTING
High Pressure Sodium
Ballast Kits with Lamp
BKS SERIES



FEATURES

- Kit includes: Cap, ignitor, brackets and Medium or Mogul lamp.
- Consult factory for availability of 5-tap ballast.

RATINGS

CAT. NO.	DESCRIPTION	VOLTAGE	LAMP
BKS70RL-MED	70 Watt HPS Reactor	120VAC	Medium
BKS50QL-MED	50 Watt HPS Quad	120/208 /240/277V	Medium
BKS70QL-MED	70 Watt HPS Quad	120/208/240/277V	Medium
BKS100QL-MED	100 Watt HPS Quad	120/208/240/277V	Medium
BKS150QL-MED	150 Watt HPS Quad	120/208/240/277V	Medium
BKS250QL-M	250 Watt HPS Quad	120/208/240/277V	Mogul
BKS400QL-M	400 Watt HPS Quad	120/208/240/277V	Mogul
BKS1000QL-M	1000 Watt HPS Quad	120/208/240/277V	Mogul
BKS1000480L-M	1000 Watt HPS	480VAC	Mogul

WORKLIGHT

LIGHTING
Metal Halide Ballast Kits
with Lamp
BKM SERIES



FEATURES

- Kit includes: Cap, ignitor, brackets and Medium or Mogul lamp.
- Consult factory for availability of 5-tap ballast.

RATINGS



CAT. NO.	DESCRIPTION	VOLTAGE	LAMP
BKM50QL-MED	50 Watt Metal Halide Quad	120/208/240/277V	Medium
BKM70QL-MED	70 Watt Metal Halide Quad	120/208/240/277V	Medium
BKM100QL-MED	100 Watt Metal Halide Quad	120/208/240/277V	Medium
BKM400QL-M	400 Watt Metal Halide Quad	120/208/240/277V	Mogul
BKM400480L-M	400 Watt Metal Halide	480VAC	Mogul
BKM1000QL-M	1000 Watt Metal Halide	120/208/240/277V	Mogul
BKM320QPL-M*	320 Watt Metal Halide Pulse Quad	120/208/240/277V	Mogul

LIGHTING
High Pressure Sodium
Ballast Kits Only
BKS SERIES



FEATURES

- Kit includes: Cap, ignitor and brackets.
- Consult factory for availability of 5-tap ballast.

RATINGS

CAT. NO.	DESCRIPTION	VOLTAGE
BKS70R	70 Watt HPS Reactor – Cap, Ignitor & Brackets	120V
BKS100R	100 Watt HPS Reactor – Cap, Ignitor & Brackets	120V
BKS50Q	50 Watt HPS Quad – Cap, Ignitor & Brackets	120/208/240/277V
BKS70Q	70 Watt HPS Quad – Cap, Ignitor & Brackets	120/208/240/277V
BKS100Q	100 Watt HPS Quad – Cap, Ignitor & Brackets	120/208/240/277V
BKS150Q	150 Watt HPS Quad – Cap, Ignitor & Brackets	120/208/240/277V
BKS250Q	250 Watt HPS Quad – Cap, Ignitor & Brackets	120/208/240/277V
BKS400Q	400 Watt HPS Quad – Cap, Ignitor & Brackets	120/208/240/277V
BKS1000Q	1000 Watt HPS Quad – Cap, Ignitor & Brackets	120/208/240/277V

LIGHTING
**Metal Halide Ballast
 Kits Only**
 BKM SERIES



FEATURES

- Kit includes: Cap, ignitor and brackets.
- Consult factory for availability of 5-tap ballast.

RATINGS



CAT. NO.	DESCRIPTION	VOLTAGE
BKM50Q	50 Watt Metal Halide Quad – Cap, Ignitor & Brackets	120/208/240/277V
BKM70Q	70 Watt Metal Halide Quad – Cap, Ignitor & Brackets	120/208/240/277V
BKM100120	100 Watt Metal Halide – Cap, Ignitor & Brackets	120V
BKM100Q	100 Watt Metal Halide Quad – Cap, Ignitor & Brackets	120/208/240/277V
BKM250Q	250 Watt Metal Halide Quad – Cap & Brackets	120/208/240/277V
BKM400Q	400 Watt Metal Halide Quad – Cap & Brackets	120/208/240/277V
BKM400480	400 Watt Metal Halide – Cap & Brackets	480V
BKM1000Q	1000 Watt Metal Halide Quad – Cap & Brackets	120/208/240/277V
BKM1000480	1000 Watt Metal Halide – Cap & Brackets	480V
BKM150QP*	150 Watt Metal Halide Pulse Quad – Cap, Ignitor & Brackets	120/208/240/277V
BKM250QP*	250 Watt Metal Halide Pulse Quad – Cap, Ignitor & Brackets	120/208/240/277V
BKM320QP*	320 Watt Metal Halide Pulse Quad – Cap, Ignitor & Brackets	120/208/240/277V

LIGHTING

Twin Head & Fixed Optics Emergency Light

EMTW & EMFW SERIES



TWIN HEAD EMERGENCY LIGHT



- For commercial, industrial, institutional and retail lighting.
- Unit gives a low profile appearance with automatic LVD (low voltage disconnect) and universal transformer for 120 or 277VAC.
- Universal mounting plate with quick connect for labor saving installation.
- Injection-molded V-0 flame retardant high-impact thermoplastic housing and a 6V sealed lead acid maintenance free battery with 90 minute operation.
- Environmentally-coated solid state charger.
- Listed for damp location use.

CAT. NO.	UPC CODE	BATTERY	HOUSING	LAMP
EMTW-LED	05281	6 Volt	White	2 x 5.4 Watt

FIXED OPTICS EMERGENCY LIGHT



- For commercial, industrial, institutional and retail lighting.
- Fully automatic operation with automatic LVD (low voltage disconnect) and universal transformer for 120 or 277VAC.
- Injection-molded V-0 flame-retardant high-impact thermoplastic housing and a 6V premium grade, sealed lead acid, maintenance free battery with 90 minute operation.
- Compact, low profile design in pleasing neutral finish with environmentally-coated solid state charger.
- Listed for damp location use.



CAT. NO.	BATTERY	HOUSING	LAMP
EMFW	6 Volt	White	2 x 5.4 Watt

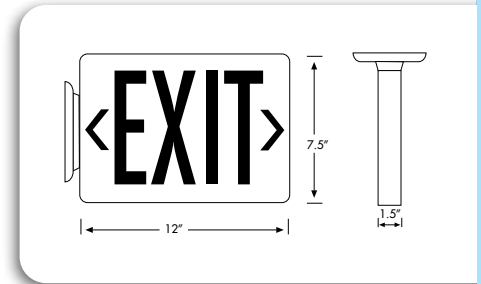
LIGHTING
LED Exit & Combo LED
Incandescent Exit Light
EXL & EEL SERIES



LED EXIT LIGHT



- For commercial, industrial, institutional and retail lighting.
- Fully automatic operation at 120 or 277VAC with 25+ years LED lamp life.
- LED exit lights have a universal mounting canopy for side or top installation.
- Injection-molded V-0 flame-retardant high-impact thermoplastic housing with a low profile design and excellent energy savings.

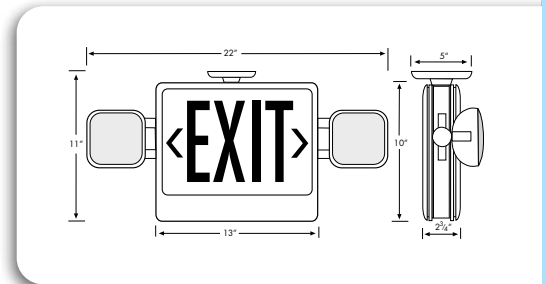


CAT. NO.	NO. OF FACES	TYPE	LETTERING	HOUSING
EXLRW	2	AC	Red	White
EXLBURW-SL	2	90 Min. Slimline Battery Backup	Red	White
EXLBUGW	2	90 Min. Battery Backup	Green	White

COMBO LED/INCANDESCENT EXIT LIGHT



- For commercial, industrial, institutional and retail lighting. Excellent energy savings and the LED lamp life of 25+ years.
- Automatic LVD (low voltage disconnect) and universal transformer for 120 or 277VAC.
- Injection-molded V-0 flame-retardant high-impact thermoplastic housing and a 6V pure lead maintenance free battery with 90 minute operation.
- Two fully adjustable glare free lighting heads in a compact, modern design.
- Self-diagnostic and remote capable options are available for this fixture, call for special quote.
- Universal mounting canopy for ceiling installation.



CAT. NO.	NO. OF FACES	LETTERING	HOUSING	REMOTE
EEL2RW-LED	2	Red	White	No
EEL2RWRM-LED	2	Red	White	Yes
EEL2GW	2	Green	White	No

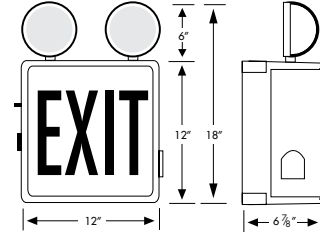
LIGHTING
Wet Location
Emergency Light
EMWL & EMTW SERIES



WET LOCATION LED EXIT LIGHT, 2-HEAD UNIT



- For commercial, industrial, institutional and retail lighting.
- ABS, corrosion resistant UV stabilized enclosures meet NFPA, NEC, OSHA, NEC and local and state codes, making these energy-saving wet location LED exit lights great for corrosive or damaging environments.
- Universal 120/277VAC operation with removable directional indicators and an 25+ year light source life expectancy.

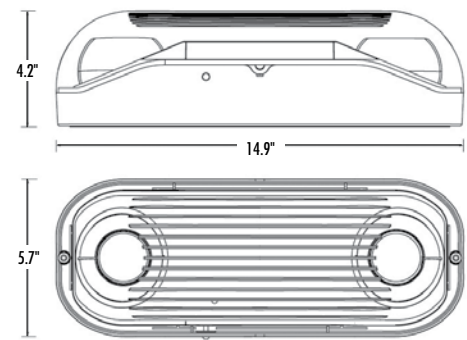


CAT. NO.	TYPE	LETTERING	HOUSING	BATTERY
EMWL26RW	2-Head Emergency Light	Red	White	6V

WET LOCATION LED EXIT LIGHT



- For commercial, industrial, institutional and retail lighting.
- Dual 120/277VAC operation.
- Sealed lead acid, rechargeable, maintenance-free battery and high-impact housing.
- Push-to-test switch and automatic, low-voltage disconnect (LVD).
- Completely self-contained and UL listed for wet locations.



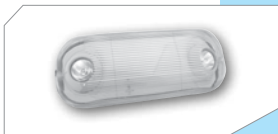
All dimensional data is listed in inches.

CAT. NO.	DESCRIPTION	BATTERY TYPE	BATTERY	HEIGHT	WIDTH	DEPTH	LAMP
EMTWMR16WL	Wet Location Twin Head Mr16 Emergency Light-Gray	Sealed Lead Acid 90 Minute Operation	6V	5.7	14.9	4.2	2 x 7 Watt MR-16 Halogen

LIGHTING

Heavy Duty Emergency Light & Emergency Fluorescent Ballast

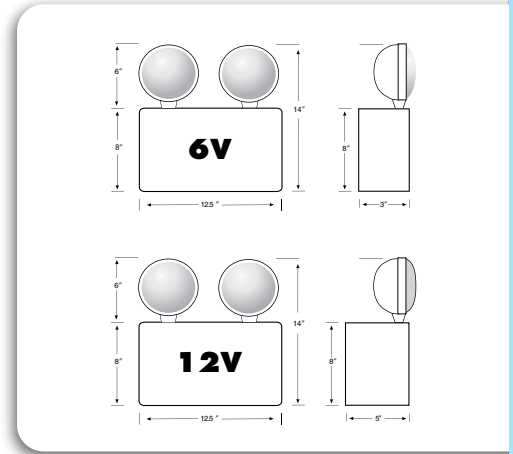
EMHD & FBP SERIES



HEAVY DUTY EMERGENCY LIGHT



- For commercial, industrial, institutional and retail lighting.
- Automatic LVD (low voltage disconnect) and universal transformer for 120 or 277 VAC.
- This heavy duty light comes standard with two fully adjustable glare-free lighting heads and side and top conduit KO's.
- 6V premium grade, sealed lead acid, maintenance free batteries included with 10 year life expectancy.
- Remote capability and easy installation.
- 6Vt units offer 7.2 watt lamps standard and 12 volt units offer 9 watt lamps standard.
- UL listed for damp location use.



EMERGENCY/EXIT

CAT. NO.	WATTAGE CAPACITY	BATTERY	VOLTAGE	LAMP
EMHD506	50 Watt	6 Volts	120/277VAC	13

EMERGENCY FLUORESCENT BALLAST



CAT. NO.	FIG.	LUMENS	DIMENSIONS			LINEAR LAMPS				COMPACT FLUORESCENT LAMPS	
			H	L	W	2'-4' Rapid, Instant, or Energy Savings, T8-T12, HO, VHO	2'-8' Rapid, Instant, or Energy Savings, Circline T8-T12, HO, VHO	8W-28W - T5*	54W - T5HO	17W-40W 4-pin compact	40W-55W 4-pin compact
FBP100	1	500	1.5"	9.4"	2.4"	1		1		1	
FBP60	2	700	1.5"	9.4"	2.4"	1 or 2	1	1		1 or 2	1
FBP50	3	1400	1.5"	13.3"	2.4"	1 or 2	1	1 or 2	1 or 2	1 or 2	1

*The ballast may not fit in a typical T5 fixture and needs to be remotely mounted. All ballast are standard with dual 120/277V input. Damp location listed (0 °C to 50 °C).

LIGHTING

**Entry Cylinder &
5x8 Vandal Resistant
EL & VRM SERIES**



ENTRY CYLINDERS



- For loading docks, security lighting and entrance doorway lighting.
- Features impact and corrosion resistant polycarbonate housing and polycarbonate lens.
- The lens is engineered to diffuse light to properly light entryways without glare.
- Lens locks in place with an allen set screw to resist tampering.
- 26W 4100K fluorescent lamp.
- Listed for wet locations.
- Lamp included.

**energy saving*
FLUORESCENT!

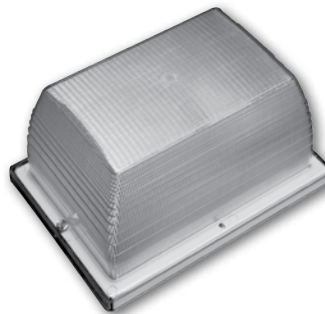
All dimensional data is listed in inches.

CAT. NO.	DESCRIPTION	VOLTAGE	BALLAST	HEIGHT	WIDTH	DEPTH	LAMP
EL26FL*	Entry Cylinder 26 Watt Fluorescent	120 VAC	Electronic	9	5	7	PLC

VANDAL RESISTANT 5X8 ENTRY LIGHT



- For residential multi-family, commercial, institutional entry and small area fixtures.
- Available in fluorescent with clear polycarbonate lens. Includes steel pan, gasket and hardware, socket and bracket.
- Can be ceiling/canopy or wall mounted.
- Listed for wet locations.
- Lamp Included



**energy saving*
FLUORESCENT!

All dimensional data is listed in inches.

CAT. NO.	DESCRIPTION	VOLTAGE	BALLAST	HEIGHT	WIDTH	DEPTH	LAMP
VRM13FL*	Mini VR 5x8 13 Watt Fluorescent (Clear Lens)	120VAC	Electronic	5.5	7.75	4.25	PLC

VANDAL/CANOPY

LIGHTING
Small & Large Vandal
Resistant Light
VRS SERIES



SMALL VANDAL RESISTANT



- For large area perimeter and security lighting: Industrial, storage yards, parking areas, auto dealerships, landscape and recreational areas.
- Heavy duty die cast aluminum housing and hinged top frame, 1/2" coin plugs for conduit & photocell, textured architectural bronze powder finish over a chromate conversion coating.
- Aluminum smooth reflector with tempered flat clear glass lens.
- 2-piece swivel bracket, adjustable slipfitter for mounting.
- Listed for wet locations.
- Lamp included.

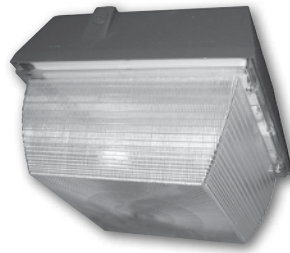
All dimensional data is listed in inches.

CAT. NO.	DESCRIPTION	VOLTS	BALLAST	HEIGHT	WIDTH	DEPTH	LAMP	BASE
VRS70MHQ	Small Vandal Resistant 8x8 Square 70 Watt Metal Halide	120/208/240/277VAC	QUAD HX-HPF	16.63	16.13	7	ED17	Medium

LARGE VANDAL RESISTANT



- For canopy, parking garages and loading dock lighting.
- Die cast housing, chromate conversion coating and textured bronze finish and corrosion resistant stainless steel hardware.
- Polycarbonate lens, silicone gasketing and medium socket with white reflector.
- 1/2" coin plugs are provided for surface wiring.
- Listed for wet locations.
- Lamp included.



All dimensional data is listed in inches.

CAT. NO.	DESCRIPTION	VOLTS	BALLAST	HEIGHT	WIDTH	DEPTH	LAMP	BASE
VRS100MHQ	Large Vandal Resistant 12x12 Square 100 Watt Metal Halide	120/208/240/277VAC	QUAD HX-HPF	12.4	12.3	8.6	ED17	Medium

LED LIGHTING

Security Light LED 35W DTD35LED



FEATURES

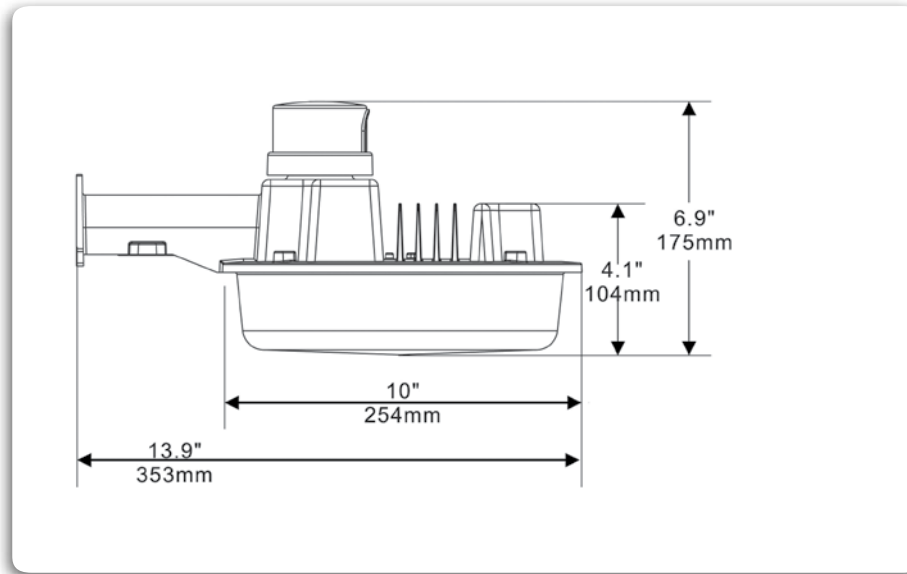
- Die cast aluminum housing.
- Silver finish.
- UV stabilized powder coated finish.
- Uniform light distribution.
- Color temperature - 5000k.
- Impact resistant lens.
- Photocontrol included.

The Dusk-to-Dawn Fixture of the future is here. Utilizing a single source LED, this dusk-to-dawn provides prismatic-designed light output for any environment. It comes with NEMA approved photocontrol which, when used with LED provides significant power savings. Maintaining all the strengths of the traditional dusk-to-dawn fixtures (such as installation brackets and arms) while employing the latest generation of LEDs, this LED dusk to dawn will last for years to come.

RATINGS



cULus Listed for wet locations.



CAT. NO.	SYSTEM WATTS	LUMEN OUTPUT	COLOR	MA	INPUT VOLTAGE	CRI	STARTING TEMP.	EQUIVALENT
DTD35LED	35	2650lm**	5000K	950	120VAC	70+	-30 °C	100W-150W MH

**DISCLAIMER: this test report was produced in accordance with IES LM-79 photometric testing protocol for luminaires, using a single representative test fixture.
CRI: Color Rendering Index.

LIGHTING

Incandescent Loading Dock Lights

TA-DOK SERIES



WORKLIGHT

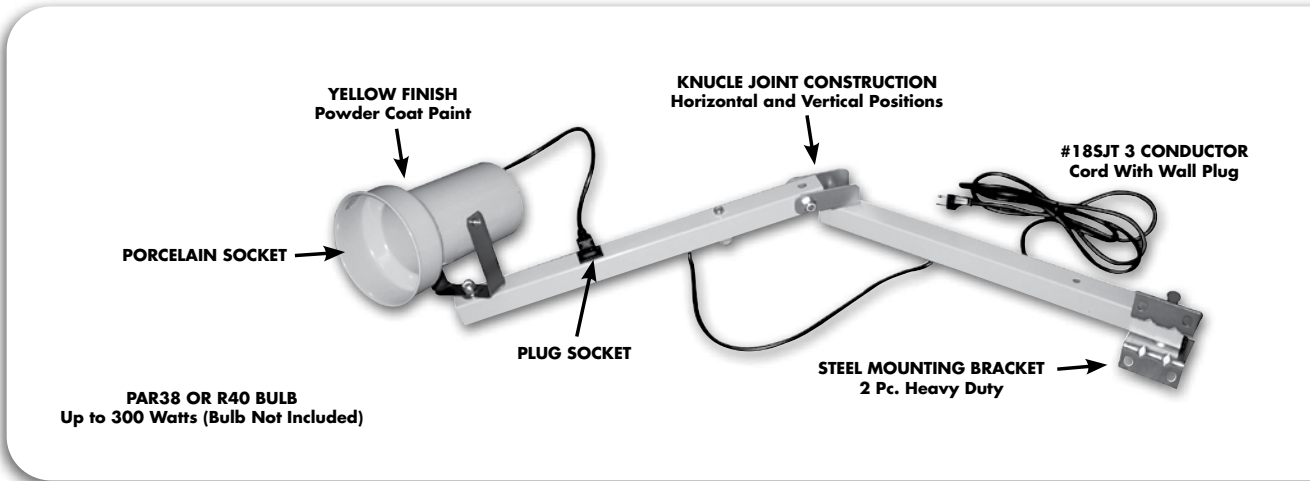
FEATURES

- Adjustable pivot friction which maintains intended positions.
- 1-1/2" square, 14 gauge steel arm resists damage from impact.
- 36", 3 conductor #18SJT cord with wall plug is included.
- Lamp not included.

RATINGS



CAT. NO	DESCRIPTION	COLOR
TA-DOK 40VA	115VAC Extends 40 Inches	Yellow
TA-DOK 60VA	115VAC Extends 60 Inches	Yellow



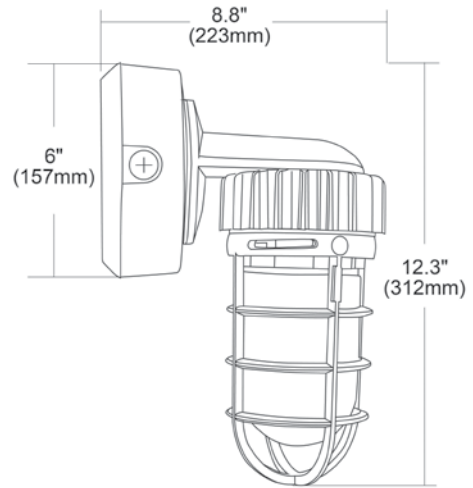
LED LIGHTING
Vaportite LED 13W
Wall Mount
VTW13LED



FEATURES

- Die cast aluminum housing.
- Silver finish.
- UV stabilized powder coated finish.
- Uniform light distribution.
- Color temperature - 5000k.
- Heat & impact resistant tempered glass lens.
- IP65 rated & IC protection.
- DLC Listed (Design Lights Consortium).

Heavy duty vapor-proof LED light is built to last. With industrial-grade rubber gaskets as sealants and automobile grade aluminum, this LED light is a beacon. With a COB LED inside, it provides performance lighting while utilizing very little power. Die-cast guard on the outside of the glass protects the high power LED. Fixture can be used in warehouse, docks, restaurants, and many other applications.



RATINGS



cULus Listed for wet locations.

CAT. NO.	SYSTEM WATTS	LUMEN OUTPUT	COLOR	MA	INPUT VOLTAGE	CRI	STARTING TEMP.	EQUIVALENT
VTW13LED	13	670lm**	5000K	700	120-277VAC	70+	-30 °C	50W-70W MH

**DISCLAIMER: this test report was produced in accordance with IES LM-79 photometric testing protocol for luminaires, using a single representative test fixture.
 CRI: Color Rendering Index.

LED LIGHTING
Vaportite LED 13W
Ceiling Mount
VTC13LED



FEATURES

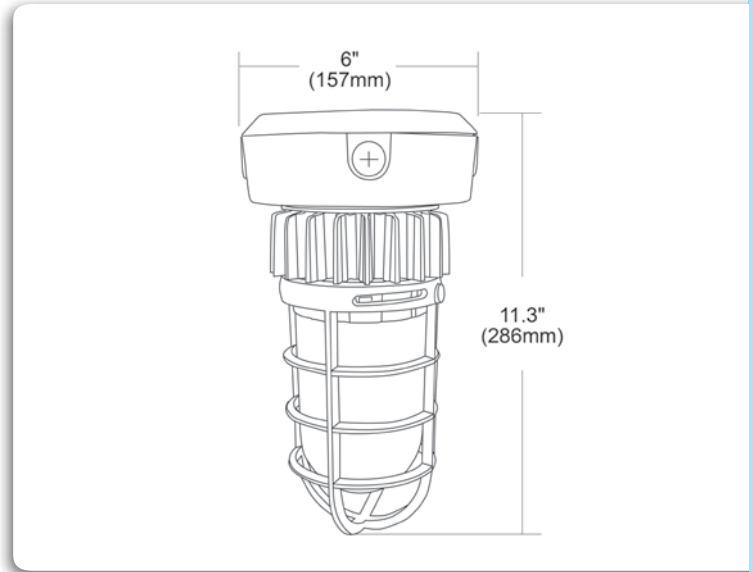
- Die cast aluminum housing.
- Silver finish.
- UV stabilized powder coated finish.
- Low starting temperature -30 °C.
- Color temperature - 5000k.
- 1/2" Conduit.
- Plugs on all 4 sides.

Heavy duty vapor-proof LED light is built to last. With industrial-grade rubber gaskets as sealants and automobile grade aluminum, this LED light is a beacon. With a COB LED inside, it provides performance lighting while utilizing very little power. Die cast guard on the outside of the glass protects the high power LED. Fixture can be used in warehouse, docks, restaurants, and many other applications.

RATINGS



cULus Listed for wet locations.



CAT. NO.	SYSTEM WATTS	LUMEN OUTPUT	COLOR	MA	INPUT VOLTAGE	CRI	STARTING TEMP.	EQUIVALENT
VTC13LED	13	670lm**	5000K	700	120-277VAC	70+	-30 °C	50W-70W MH

**DISCLAIMER: this test report was produced in accordance with IES LM-79 photometric testing protocol for luminaires, using a single representative test fixture.
 CRI: Color Rendering Index.

LIGHTING

Short-term Lighting Systems, Accessories & Box & Wall Vaportite
SLUL, SC, RS, VTB, VTW SERIES



SHORT-TERM LIGHTING SYSTEMS



*UL Listed.



CAT. NO	FIG. NO.	DESCRIPTION	STD. CTN. QTY.
SLUL100*	1	100 Ft. With Molded Sockets In 10 Ft. Intervals. 150 Watts. Osha And Nec Compliant. High Visibility Yellow.	1
SC200	2	Standard Cage	24
RS200	3	Rotatable Socket 200 Watt	24

BOX AND WALL VAPORTITE



- For well or pit lighting, indicators on docks, industrial and commercial lighting.
- Heavy duty die cast aluminum housing.
- One piece locking die cast aluminum guard with grey polyester powder coat finish.
- Screw in tempered glass globe.
- Listed for wet location use.
- 1/2" NPT knockouts.
- Lamp not included.

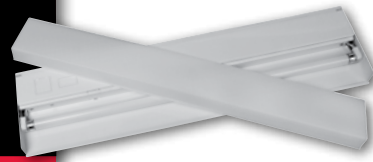


All dimensional data is listed in inches.

CAT. NO.	FIG. NO.	DESCRIPTION	HEIGHT	WIDTH	LAMP
VTB15012	1	Box 150 Watt 1/2" Vaportite	9	4.125	Incandescent
VTW15012	2	Wall 150 Watt 1/2" Vaportite	10	7.13	Incandescent
CG150	3	Clear Glass Globe for 150 Series Vaportite Fixtures	-	-	-

WORKLIGHT

LIGHTING
**Fluorescent Undercabinet
 & Heavy Duty Ground
 Stake**
UCF SERIES



FLUORESCENT UNDERCABINET



- For fluorescent undercabinet lighting is constructed of heavy duty steel with white powdercoat finish.
- UV inhibited acrylic diffuser with linear prism which snaps in for easy maintenance.
- T-5 4100K lamp included.
- Fluorescent is great for energy savings.
- Ultra thin, 1" thick.
- K.O.s on top, side and back.
- Includes rocker switch.
- Lamp Included.

All dimensional data is listed in inches.

CAT. NO.	DESCRIPTION	VOLTS	LENGTH	WIDTH	DEPTH
UCF128WT5	8 Watt T-5 Electronic Ballast, with Lamp	110-125	12	5	1
UCF2113WT5	13 Watt T-5 Electronic Ballast, with Lamp	110-125	21	5	1
UCF2416WT5	16 Watt T-5 Electronic Ballast, with Lamp	110-125	24	5	1
UCF3321WT5	21 Watt T-5 Electronic Ballast, with Lamp	110-125	33	5	1
UCF4226WT5	26 Watt T-5 Electronic Ballast, with Lamp	110-125	42	5	1

HEAVY DUTY GROUND STAKE

- Adjustable stabilizer and built in wiring compartment.
- Durable molded plastic with die cast fitting for 1/2" NPT threads.
- Two 1/2" coin plugs for enclosed wiring.
- Two 1/2" coin plugs outside for surface and through-wiring.



All dimensional data is listed in inches.

CAT. NO.	DESCRIPTION	HEIGHT	WIDTH	DEPTH
GST	Non-metallic Heavy Duty Ground Stake	19	9	3.5

TORK®

nsi
INDUSTRIES





WHY
nsi
INDUSTRIES

Let Us
Clarify.

MINITERMS

SPLICING

EASY-TWIST™

CONNECTOR BLOKS™

TORK® PHOTOCONTROLS

TORK® DIGITAL

GROUNDING

CABLE TIES

CONNECTORS

TORK® MECHANICAL

We are service leaders with a 99.7% same-day ship rate from our main distribution center in Huntersville NC, and stocking representatives serving all regions of the US.

We engineer and manufacture innovation with recognized brands like Polaris™, Easy-Twist™ and TORK® Lighting controls.

We are flexible and responsive, recognized by our distributor partners for our customer service and have a strong representative sales force built on relationships.

We have a huge breadth of line of electrical products, boasting 16 deep product groups for all your electrical needs.

Why NSi? We have what you need to do your job daily, right here in this catalog. Take a look and see why so many distributors and contractors choose NSi.

POLARIS™

TABLE OF CONTENTS

PICTORIAL INDEX 1

CONNECTORS

Aluminum Dual Rated Single & Double Lugs	13
Aluminum Dual Rated Panelboard Lugs.....	15
Aluminum Dual Rated Stacked Lugs	19
Aluminum Dual Rated Splicer & Reducers	21
Aluminum Dual Rated Turn Prevent Lugs.....	23
Aluminum Dual Rated Lay-In & Dual Range Lugs	25
Aluminum Dual Rated Tap Connector & Covers	27
Aluminum Dual Rated Heavy Duty Transformer Lugs.....	29
Aluminum Dual Rated Transformer Lugs	31
Aluminum Dual Rated Transformer Connectors	33
Secondary Transformer Connectors	35
Transformer Stud Connectors.....	37
Aluminum Flexible Cable Sleeves Connectorsr	39
Copper Single Lugs – Cu Extruded & Tubular.....	41
Copper Single/Double Solderless Lugs.....	43
Copper & Bronze Terminal Lugs	45
Aluminum Dual Rated Parallel Groove Clamps.....	47
Wedge & Hot-Line Clamps & Service Entrance Connector	49
Aluminum One Hole Standard Barrel.....	51
Aluminum Two Hole Standard Barrel.....	53
Dual Rated Aluminum Splice.....	55
Bi-Metallic Pin Terminals.....	57
Dual Rated Pin Terminals	59
Dual Rated Wide Range Tap Connectros & Covers	61
Dual Rated Meter Socket Lugs.....	65
Dual Rated Insulated Service Entrance Sleeves	67
Long Barrel One Hole Copper Lugs	69
Long Barrel Copper Lugs Two Hole	73
Long Barrel Stacking Copper Lugs.....	79
Stacking Adapters For Compression Terminals	80
Short Barrel Copper Lugs One Hole With Peep Hole.....	81
Short Barrel Copper Lugs Two Hole With Peep Hole	85

Copper Splice Short Barrel	87
Copper Splice Long Barrel.....	89
For Flexible Copper Cable - One Hole Short Barrel.....	91
For Flexible Copper Cable - One Hole Long Barrel	93
For Flexible Copper Cable - Two Hole Long Barrel	95
For Flexible Copper Cable - Two Hole Short Barrel Peep Hole ..	97
For Flexible Cable - Copper Short Barrel	99
For Flexible Copper Cable - Two Hole Short Barrel No Peep ..	101
Copper Soldering Lugs	102
C-Taps	103
Copper Press-Ons	105
Copper Split Bolts 2 Wire	106
Copper Split Bolts 3 Wire	107
Copper Tin Plated Split Bolts.....	108
Aluminum Dual Rated Split Bolts.....	109
Service Post Connectors One-Wire Type	111
Service Post Connectors Two-Wire Type	112
Two-Bolt Bronze For Copper To Copper	113
Two-Bolt Bronze For Aluminum, Copper & Steel.....	114
Easy-Tap™ IPCS Series - Insulation Piercing Connectors.....	115
Connector Bloks™ Single Primary Multiple Secondary	
Connector Block Covers.....	117
Connector Bloks™ Multiple Primary Multiple Secondary	
Connector Block Covers.....	119
Connector Bloks™ Splice Reducer Primary Secondary	
Connector Block Covers	121
Terminal Bloks™ Double Row 9/16" Centers 600V	123
Terminal Bloks™ Hardware Options	124
Terminal Bloks™ Splicer & Reducers 75 Amps 600V	125
Rail Mounted Modular Terminal Block Hardware Options....	127
Insulated Terminal Blocks	129
Multiple Connectors Used In Neutral Assemblies And Grounding	
Applications	131

Copper Neutral Connectors	133	Polaris™ Heavy Duty Either Side Wire Entry	193
Combination Connectors	134	Polaris™ Multi-Conductor Blocks With Mounting Holes, One Side Wire Entry	195
Neutral 225 Amps 600VAC Connectors	135	Polaris™ Multi-Conductor Blocks With Mounting Holes, Either Side Wire Entry	197
Combination Connectors	137	Submersible Pedestal Connectors	201
Non-Metallic Splice & Tap	139	Submersible Connectors	203
Transformer Lug Kits – Mechanical Set-Screw Types	141	Heavy Duty Unisulated Blocks, Either Side Wire Entry	205
Tool and Die Charts for Copper & Aluminum Connectors	143	Uninsulated Multi Cable Connectors	207
TOOLS & HARDWARE		Polaris™ Custom Designed Connector Blocks	211
Hydraulic Compression Tool	155	Polaris™ Installation Instructions	213
Crimping Dies	156	SPlicing	
Hydraulic Die & Battery-Operated Die Type Crimping Tools	157	Easy-Splice Wrap-Around Gel Splice Kits	213
U-Type Compression Dies	158	Easy-Splice Wrap-Around UF Splice Kit	214
Mechanical Crimpers & Tools, Ratchet Drive Crimpers	159	Easy-Splice In-Line Gel Splice Kit With Connector	215
Manual & Ratchet-Drive Cable Cutters	160	Easy-Splice Gel Tap Splice Kit With Connector	216
Steel Fishtapes & Conduit Benders	161	Easy-Splice Gel Stub Splice Kit With Connector	217
Precision Wire Strippers & Insulated Miniterm Tool	162	Easy-Splice H-Tap Splice Covers With Connector	218
Electrician's Hand Tools	163	Easy-Splice Push-On Gel Stub Splice Kits	219
Electrical Multitesters – Analog & Digital	164	Easy-Splice Direct Burial Roll-On Splice Sleeve	220
Circuit & Receptacle Testers	165	Easy-Splice Direct Burial Splice Kit With Rubber Cover	221
Torque Wrenches, Screwdriver & Accessories	167	Easy-Splice Self Sealing UF Splice Kit & Hot Melt Sealant Sleeves	222
Silicon Bronze Bolts, Nuts, Washers, Lockwashers	168	Easy-Splice Direct Burial/Submersible Splice Kits With Heat Shrink	223
Stainless Steel Bolts, Nuts, Washers, Lockwashers	169	Easy-Splice Heat Shrinkable End Caps	224
Oxide Inhibitor & Duct Sealing Compound	170	Easy-Splice Heavy Wall Heat Shrink For Direct Burial and Submersible	225
POLARIS™		Easy-Splice Thin-Wall Heat Shrink Kits	227
Polaris Grey™ For Fine Stranded Wire	173	Easy-Splice Heavy Wall Heat Shrink	228
Polaris Grey™ Replacement Sleeves	173	Easy-Splice Thin-Wall Tubing	229
Polaris Blue™ For Direct Burial & Submersible	177	GROUNDING	
Polaris™ In-Line & Two-Wire	179	Heavy Duty Direct Burial With Lay-In Lugs	241
Polaris™ Splicer/Reducers	181		
Polaris™ Multi-Conductor One Side Wire Entry	183		
Polaris™ Multi-Conductor Either Side Wire Entry	187		
Polaris™ Multi-Cable Blocks Either Side Wire Entry	189		
Polaris™ Multi-Cable Stacked Either Side Wire Entry	191		

TABLE OF CONTENTS

Copper & Tin Plated Copper Lay-In Lugs	242	Ring Terminals Uninsulated	287
Heavy Duty Direct Burial Ground Clamps and Direct Burial For Rebar	243	Ring Terminals Nylon	289
Heavy Duty Direct Burial With Adapters	244	Male & Female Plugs Wire Tap and Pin Terminal, Male/Female Adapter	291
Bronze Ground Clamps & Heavy Duty Water Pipe Clamps . . .	246	High Temperature Spade, Ring, Piggyback & Disconnect . . .	293
Aluminum & Bronze Ground Clamps	247	Male Disconnects: Fully Insulated and Male/Female Adapter .	295
Heavy Duty & With 360° Adapters For Rigid Conduit	248	Female Disconnects: Piggyback, Sleeved Barrel & Fully Insulated	297
Rigid Conduit With Flexible Wire Strap	250	Female Flag & Fully Insulated Flag, Two-Way Receptacle . . .	299
Economy & 360° Swing Type Hubs	251	Female Disconnects	301
Zinc Die Cast & Standard Duty Silicon Bronze Ground Clamps	252	Vinyl Insulated Miniterm Kit	303
Heavy Duty Silicon Bronze & Range Taking Rod Clamp	253	Push-On & Compressor (With Wire) Terminal Kit	307
Intersystem Bonding Connectors	254	Rocker Switches	309
Isolated Ground Bars	255	Rotary Switches & Miscellaneous	311
Heavy Duty For Parallel, 90° Copper Cable	256	Pushbutton Switches	313
Heavy Duty For Parallel, Two & Three Conductor	257	Toggle Switches: Maintained Contact Single Pole	316
"C" Taps	258	Toggle Switches: Maintined Contact Single & Double Pole . . .	317
Transformer Ground Clamps	259	Toggle Switches	319
Two-Way Baskets	260	Round Indicator Lights	320
Flexible Braid Jumper Straps & Ground Strap	261	Round & Snap-In Rectangular Indicator Lights	321
Grounding Pigtails (Solid and Stranded) & Grounding Clips . .	262	Indicator Lights and Emergency Stop Buttons	322
EASY-TWIST™		WIRE MANAGEMENT	
Easy-Twist™ Standard Twist-On Wire Connectors	265	Easy-Wrap™ Premium Electrical Tape	325
Easy-Twist™ Winged Twist-On Wire Connectors	267	Easy-Wrap™ General Purpose & All-Weather Corrosion Tape	326
Easy-Twist™ Wire Connector Combination Pails	269	Easy-Wrap™ Rubber Splicing Tape, Harness Wrap & Duct Tape	327
Push-In Wire Connectors	271	Easy-Wrap™ Friction, Electrical Filler and Silicone Rubber Tape	328
Crimp Sleeve & Nylon Wire Connectors	273	Easy-Wrap™ High Voltage, Glass Cloth and Rubber Mastic Tape	329
MINITERMS & SWITCHES		Slyder™ Wire Lubricant	330
Butt Splices	277	Standard (Natural) Cable Ties	331
Spade Terminals: Locking	279		
Spade Terminals Flange & Block	281		
Spade Terminals	283		
Ring Terminals Vinyl	285		

UV & Weather Resistant (Black) Cable Ties	333	FireStop814™ Residential & Commercial Caulk	371
Air Handling and Push Mount Cable Ties	335	FireBlock136™ Residential Fire Block	371
Tefzel, Marker Cable Ties	336	FireStop™ Pillows & Putty Pads	371
HVAC Standard and Weather Resistant Ties	337	FireStop™ Ratings & UL Systems	373
Releasable Cable Ties	338	LIGHTING	
Stainless Steel Ties	338	Wallpack LED 13W PC	383
Standard Cable Ties: Color	339	Small Wallpack LED 12W	384
Standard Cable Ties: Fluorescent	341	Wallpack LED 36W	385
Cable Ties Canister Packs	343	Wallpack LED 38W	386
Natural & Weather Resistant Mountable Ties	345	Wallpack LED 68W	387
Velcro Ties	346	Wallpack LED 77W	388
Cable Ties With Stainless Steel Barb	347	Medium LED 20W Flood Light	389
Cable Tie Installation Tools	349	Large LED 40W Flood Light	390
Cable Tie Adhesive Mounts	350	Security Light LED 35W	391
Push Mounts	351	Vaportite LED 13W Wall Mount	392
Polyethylene Nail Clips	352	Vaportite LED 13W Ceiling Mount	393
Nail-On Plastic Staples For Romex	353	Mini Wallpacks	396
Masonry Push Mounts	354	Compact Wallpacks	398
Adjustable Cable Clamps	354	Medium Wallpacks	400
Standard & Heavy Duty Nylon Cable Clamps	355	Large & Large Deep Wallpacks	403
Standard Slot Panel Channel	356	Fluorescent & Compact Floodlight	404
Narrow Finger, High Density Panel Channel	359	Low Profile Floodlight	407
Solid Wall Panel Channel and Floor Duct	361	Medium & Large Floodlight	408
Cable Marker Plates	362	1000 Watt Floodlight	409
Wire Marker Dispensers	362	Incandescent Floodlight	409
Roll Label Dispenser and Polyester Industrial Tapes	363	Quartz Floodlight With Lamp	410
Pocket Pal Marker Books	364	High Pressure Sodium Ballast Kits With Lamp	411
Easy Release Wire Marker Cards	365	Metal Halide Ballast Kits With Lamp	412
Voltage Markers	366	High Pressure Sodium Ballast Kits Only	413
Self-Adhesive Labels	367	Metal Halide Ballast Kits Only	414
Spiral Wrap	367	Twin Head Emergency Light	415
Detectable Underground Line & Barricade Tapes	368	Fixed Optics Emergency Light	415
FIRESTOP™		LED & Combo LED Incandescent Exit Light	416
FireStop™ Intumescent Caulk	371		

TABLE OF CONTENTS

Wet Location Emergency Light	417
Heavy Duty Emergency Light	418
Emergency Fluorescent Ballast	418
Entry Cylinder	419
5X8 Vandal Resistant Entry Light	419
Small & Large Vandal Resistant Light	420
Incandescent Loading Dock Lights	422
Short-Term Lighting System	425
Accessories	425
Box & Wall Vaportite	425
Fluorescent Undercabinet Lights	426
Heavy Duty Ground Stake	426

TORK® ENERGY CODE REFERENCE GUIDE & RESPONSIBLE ENERGY STATEMENT

Exterior and Interior Lighting Zones	429
--	-----

TORK® PHOTOCONTROLS

Quick Reference Guide & Features	433
2100 Series Spec Grade Die Cast Zinc Photocontrol	435
2110 Series Spec Grade Die Cast Aluminum Photocontrol	436
2000 Series Fixed Conduit Mount Photocontrol	437
2001 Series 180° Swivel Conduit Mount Photocontrol	438
2020 Series 180° Swivel Conduit Mount Photocontrol	439
3000 Series Flush Mount Photocontrol	440
5000M Series Utility Grade Delayed Response w/MOV	441
5400A Series 6000 Watt Contactors w/Turn-Lock Control	442
2005A Series Instant Response Turn-Lock Control	443
2005B Series Instant Response Turn-Lock Control	444
5200 Series Utility Grade Electronic Photocontrol	445
5200-UL Series Electronic Photo Control Listed for LED	446
5737 Series Photo-Timers	447
Photocontrol Turn-Lock Accessories	448

TORK® ELECTROMECHANICAL TIME SWITCHES

Quick Reference Guide & Features	451
--	-----

TU40 Series Universal Multi-Voltage 24-Hr Time Switch	453
1100 Series 24 Hr Time Switch	455
7000 Series 24 Hr Time Switch with Skip-a-Day	457
7000Z Series SunSet 24 Hr Time Switch with Skip-a-Day	459
8000 Series Duty Cycle 24 Hr Time Switch	461
8000 Series Repeating Variable Cycle 24 Hr Time Switch	463
WH2B 24 Hr Water Heater Timer	464
1800 Series Momentary Contact Time Switch	465
W Series 7 Day Time Switch	467
T900 Series 2 & 3 Circuit Lighting Control Centers	469
TW Series 7 Day Time Switch with Reserve Power	471
TZ Series SunSet Time Switch with Reserve Power	473

TORK® DIGITAL TIME SWITCHES

Quick Reference Guide	477
DT Series Automatic Voltage Detection 7 Day Time Switch	479
DT Series Water Heater Timer	479
EH20C Water Heater Timer with Summer Load Shed	481
SA300 Series Zip-Set™ Time Switch	483
E, E-PB Series 1 or 2 Channel 24 Hr Time Switch	485
EW Series 1 or 2 Channel 7 Day Time Switch	487
EWZ Series SunSet 1 or 2 Channel 7 Day Time Switch	489
DG100 Series 1 or 2 Channel 365/7 Day Time Switch	491
DW Series 1 or 2 Channel 365/7 Day Advance Time Switch	493
DTS Series 1, 2, 4 Channel 365/7 Day Advance Time Switch	495
DZS Series 1, 2, 4 Channel 365/7 Day SunSet Time Switch	497
DZM Series 365/7 Day SunSet Lighting Control Switch	499
LC200 Series 2-Zone Lighting Control Switch	501
DGU Series 7 Day Lighting Control Time Switch	503
DGLC Series 7 Day Lighting Control Time Switch	503
ELC Series 4, 8, 12 Zone Lighting Control Switch	505
DLC400BP 4 Zone Lighting Control Switch	507
LD Series Lighting Delay Time Switch	509
DGS Series Signaling Duty Cycle 24 Hr or 7 Day Time Switch	511

EJWT & E500T Series Delay, Interval, and Percentage Time	
Cycle Time Switches	513
PCT Series Panel Mount Cycle Time Switch	515
ACT30MA Series Adjustable Cycle Time Switch	516
DIN Series 1 or 2 Channel 7 Day Time Switch	517
SMC Series Momentary Contact Switches	519
5401 Series 40 Amp Contactors	520
HPS Starter	521
TORK® OCCUPANCY SENSORS	
SENSOR TECHNOLOGY & PLACEMENT GUIDE	525
WOS, WOS-M, WOS-M2R, WOS-M2T Series	526
COS-L, COS-L2T, COS-LU, COS-M Series	530
HOS-M Series High Bay PIR Ceiling Mount Occupancy Sensors	534
CPS-L Series Ceiling Mount Photo Sensor	535
TRP-24 Series Intelligent Power Pack	536
TORK® IN-WALL TIME SWITCHES	
Quick Reference Guide	539
SS700Z and SS721Z SunSet In-Wall Timer	541
SS720A	543
SS720Z Series	544
SA170 Series Zip-Set™ In-Wall Timer	545
701A & 711A Series 24 Hr In-Wall Time Switches	546
SS400 Series Digital Auto-Off In-Wall Timers	547
SS Series Auto-Off In-Wall Timer	549
D Series Electronic Auto-Off In-Wall Timer	550
A & C Series Springwound Auto-Off In-Wall Timers	551
TORK® PLUG-IN TIMERS	
400 Series Indoor Mechanical Plug-In Timers	555
SA100 Series Indoor Mechanical Plug-In Timers	556
400 & SA100 Series Indoor Digital Plug-In Timers	557
SA200 & SA500 Series Wireless Remote Controls	558
600 & SA200 Series Outdoor Plug-In Mechanical Timers	559
600 & SA200 Series Outdoor Plug-In Digital Timers	560
SA200 Series Outdoor Plug-In Stake Timers	561
SA200 Series Outdoor Zip-Set™ Digital Timers	562
TORKALERT™ SIGNALING DEVICES	
Mechanical & Strobe Horns	565
Muti-Tone Electronic Horns	566
Heavy Duty Bells	566
Light Duty and General Purpose Bells & Buzzer, Chimes & Chime Kits	567
Waterproof Motor Driven Siren & Manual Fire Alarm	568
Telephone Relay	569
Wall Clocks	570
Electric Door Openers	571
Push-Buttons	572
Warning Lights (Industrial)	573
Warning Lights (Vehicular)	574
Power Supply Units and Transformers	575
TorkAlert™ Accessories & Replacement Parts	576
TorkAlert™ Dimension Drawings	577
TORK® POOL & SPA CONTROLS	
PP Panels Series with Time Switches	581
P1100 Series Electromechanical	583
PEW1100 Series Digital Controls	584
1100 Series Swimming Pool Time Switches	585
Pool & Spa Junction Boxes	586
Timer Mechanisms	586
DPC201 Series Digital 2-Speed Pump Timer	587
TPX Series	588
ENCLOSURES	
Electromechanical Mechanisms	589
ENCLOSURE DIMENSIONS	591
ALPHANUMERIC INDEX	595



< **Responsible Energy** is the mark of TORK's commitment to developing and manufacturing energy saving, environmentally friendly products.

EXTERIOR LIGHTING ZONES

When ambient light levels drop at dusk, lighting is needed to provide safety and security. BUT: Does all lighting need to be on all night long? The proper selection of lighting controls is essential to ensuring that energy is only used when needed. An efficient lighting control design creates zones of light levels that can be varied by time at night.

ZONE 1 - DUSK TO DAWN - All night Security Lighting

Photocontrols and Photosensors

The first zone gives a minimum light level where security is the primary need. Determine what lighting is necessary, such as building-mounted wallpacks and a portion of the parking lot lighting. These should be on from dusk to dawn, and are best controlled by a photosensor device.

ZONE 2 - DUSK TO TIME OFF - Safety and Architectural Lighting

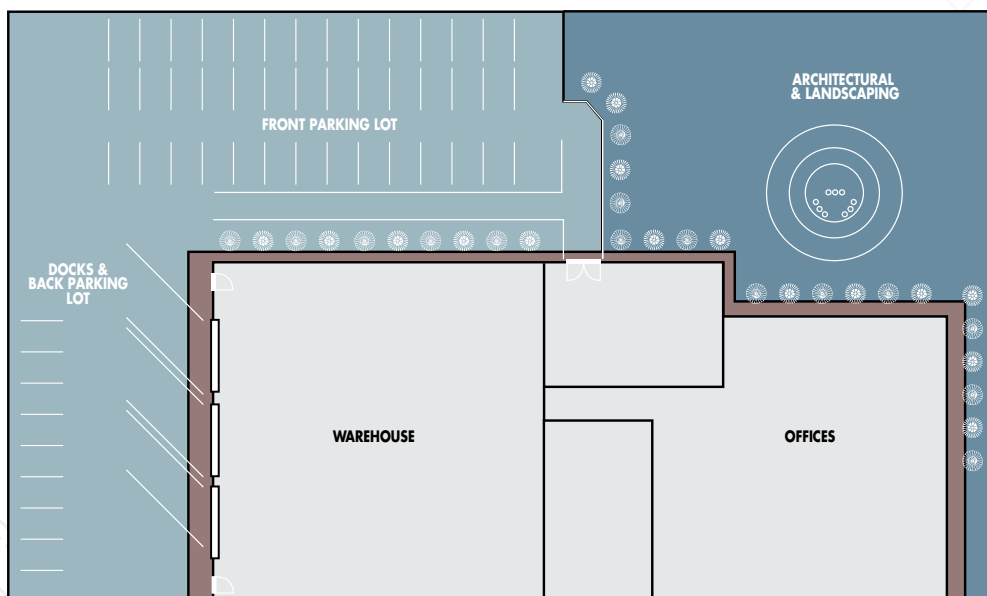
Photosensor/Time-based controls, Astronomic controls

The second zone provides a higher light level for safety, when people are normally present. Maximum levels for the parking lot and all walkway lighting are needed. These lights are best controlled by a combination photosensor and time-based device to allow shut-off during the night. The astronomic-calculated sunset/time control can also be useful.

ZONE 3 - ARCHITECTURAL - Building Facade, Landscape and Signage

Astronomic controls

The third zone covers architectural lighting for building facade or landscape and signs. These are best controlled with an astronomic-calculated sunset/time control.



Energy Saving Solutions
Lighting Controls



< Use the Quick Reference **Energy Code Guide** for approved products.



Responsible Energy

Each of these marked products have features that decrease energy consumption and/or damage to the environment by one or more of the following:

- Timed control, Photocontrol and/or Astronomic control of on and off functions of lighting, fans, pumps and appliances
- Timed control of systems or multiple zones of lighting
- Photo or occupancy sensing control of lighting
- Supercapacitor backup, no batteries to replace or dispose.
- Helps meet CA Title 24, ASHRAE, IECC and other standards for responsible building products

INTERIOR LIGHTING ZONES

The first way to save energy begins with eliminating lighting when it isn't needed. As with exterior lighting, an efficient design matches controls to the typical use of the area.

ZONE A - SMALL SPACES - Meeting rooms, restrooms, storage spaces

Occupancy sensors, interval timers

The first zone includes small spaces such as offices, restrooms and storage areas – places where people may not occupy the space continuously. Individual wall switch replacement provides low cost installation, with occupancy sensors and interval timers as the best solution. In the event that wall switches do not provide proper coverage for the occupancy sensor, ceiling mounted options are available.

ZONE B - LARGE SPACES - Open offices, public spaces, hallways, warehouses

Time of Day with Override, Occupancy Sensors

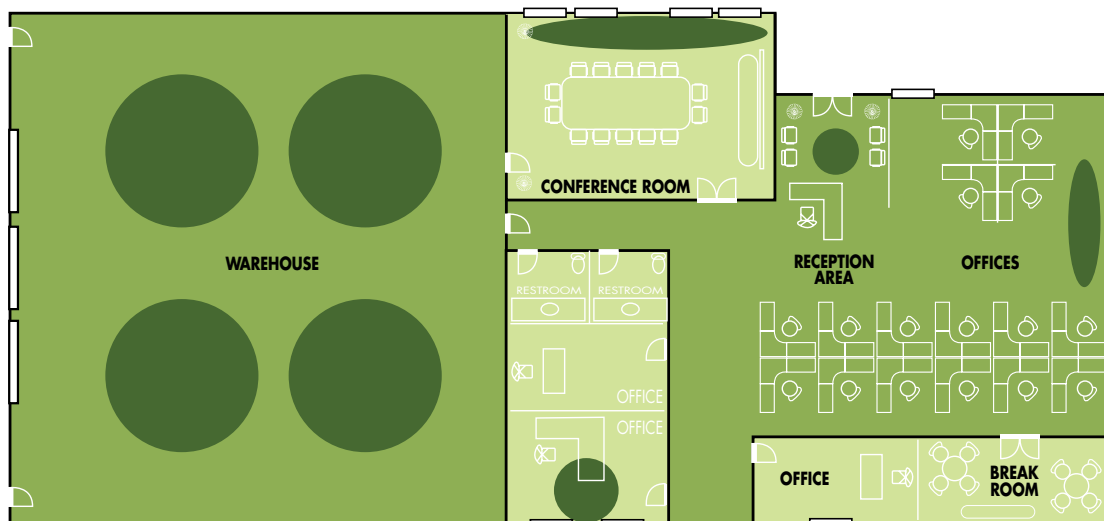
The second zone is for common areas, such as hallways, reception spaces or large spaces for open offices. These places are commonly controlled with time-of-day devices and must include an after-hours override. A conveniently placed switch should provide a limited override with a maximum length of two or four hours*, or occupancy sensors can be used to ensure that lights are shut off when people have left the building.

* Energy codes vary on the stated maximum time, but shorter times can give more energy savings.

ZONE C - DAYLIGHT HARVESTING - Large or small spaces with natural light

Light Sensors, Light Sensors with Occupancy, Astronomic Timers

A third zone that uses daylighting control can be added to either of the first two zones. Light sensors can shut off a portion of the lighting when windows or skylights contribute sufficient natural light to the area. This “harvesting” of light is an excellent, green way to conserve energy.







TORK® PHOTOCONTROLS

QUICK REFERENCE GUIDE

	2100 SERIES	2110 SERIES	2000 SERIES	2001/2020 SERIES	3000 SERIES	5000M SERIES	2005A SERIES	2005B SERIES	5200A SERIES	5200-UL SERIES	5737 SERIES
Page	435	436	437	438/439	440	441	443	444	445	446	447
Mounting	Conduit	Conduit	Conduit	Conduit	Flush	Turn-Lock	Turn-Lock	Turn-Lock	Turn-Lock	Turn-Lock	Turn-Lock
Adjustable Swivel				Yes							
Housing	Die Cast Zinc	Die Cast Aluminum	Lexan®	Lexan®	Lexan®	UV Stabilized Plastic	UV Stabilized Plastic	UV Stabilized Plastic	UV Stabilized Plastic	UV Stabilized Plastic	UV Stabilized Plastic
Turn ON Light Level	1 - 5 fc	1 - 5 fc	1 - 5 fc	1 - 5 fc	1 - 5 fc	1 to 3 fc	1 to 3 fc	1.5 fc	1.5 fc	1.5 fc	5 fc
Light Level Adjustment	Yes	Yes	Yes	Yes (2001)							
Turn OFF Ratio	3:1	3:1	3:1	3:1	3:1	5:1	3:1	1.5:1	1.5:1	1.5:1	1.5:1
Time Delay ON	Yes	Yes	Yes	Yes	Yes	Yes	Instant	Instant	Instant	Instant	Instant
Time Delay OFF	Yes	Yes	Yes	Yes	Yes	Yes	Yes	Yes	Yes	Yes	Yes
Light Sensor	CdS	CdS	CdS	CdS	CdS	CdS	CdS	Filtered Silicon Sensor	Filtered Silicon Sensor	Filtered Silicon Sensor	Silicon Sensor
CFL Compatible	Yes	Yes	Yes	Yes	Yes	Yes	Yes	Yes	Yes	Yes	Yes
LED Listed	Yes	Yes	Yes	Yes	Yes			Yes		Yes	
Surge Protection						Yes	Yes	Yes	Yes	Yes	Yes
Photo Timer											Yes

CHOICE OF PHOTOCELLS



Molded sealed IR filtered sensor resists effects of moisture and airborne contaminants. Available on turn-lock photocontrols. IR Filtering responds to the light spectrum near to that of a human eye.



Conformal coated CdS photocell resists effects of moisture and airborne contaminants. Available in 1/2" and 1" size on both wired and turn-lock photocontrols. Photocell responds to the light spectrum near to that of a human eye.

TOUGH ENCLOSURES



All conduit and flush mounted models utilize die-cast zinc, die cast aluminum, or genuine Lexan® materials. All turn-lock models utilize high impact UV stabilized polypropylene, ABS, PBT or polycarbonate materials.

TURN-LOCKS MEET ANSI C136.10



All models meet the current ANSI requirements for locking-type prongs and color coded voltage designations. Locking prongs are solid brass.

ANSI Dome Color-Code

Grey	105-130VAC
Maroon	208-277VAC
Blue	105-285VAC
Yellow	480VAC
Green	347VAC

CHOICE OF MOUNTING ORIENTATION



Models are available in fixed position or 180° swivel.

DEPENDABLE PERFORMANCE

Built-in time delay prevents false switching due to light from passing vehicles, lightning, etc.

QUALITY ASSURANCE

TORK® Photocontrols are designed and manufactured with components which adhere to the highest industry standards. Trained personnel and in-process quality procedures ensure that every unit meets our strictest quality standards.

2100 SERIES

SPECIFICATION GRADE
1/2" CONDUIT MOUNTING
DIE CAST ZINC
PHOTOCONTROL



APPLICATIONS

- Parking lot lighting
- Building perimeter lighting
- Outdoor signage

FEATURES

SENSOR: Conformal coated cadmium sulphide photocell resists effects of moisture and airborne contaminants. Photocell responds to the light spectrum near to that of a human eye.

OPERATION: Delay of up to two minutes to prevent false switching due to light from passing vehicles, lightning, etc.

STANDARDS: Meets ANSI/UL773A.

HOUSING: Heavy Duty die cast zinc housing and base. Gasketed for maximum weather protection.

ENERGY SAVINGS: Works with screw base CFLs.

SPECIFICATIONS

ON/OFF: Turn ON is 1 to 5fc, Turn OFF is 3 to 15fc, without the slide in position. ON/OFF adjustment is easily made by moving a slide cover. No tools required.

TIME DELAY: ON and OFF.

CELL: Cadmium sulphide, epoxy conformal coated 1" diameter.

CONTACTS: Remain closed between dusk and dawn. (The unit fails in the ON position).

LEAD WIRES: Three color coded, minimum 6" wire leads, #16AWG, rated for 105 °C.

POWER CONSUMPTION: Averages under 1 watt.

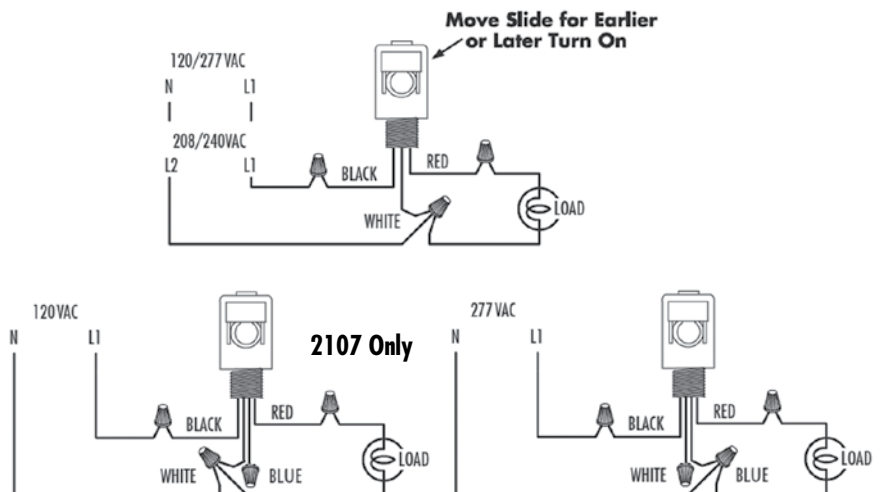
TEMPERATURE RANGE: -40 °F to +140 °F (-40 °C to +60 °C).

FAIL MODE: ON.

WARRANTY: 5 years.

CAT. NO.	UPC CODE	VOLTAGE (VAC) 50-60Hz	RATING		LED
			TUNGSTEN	BALLAST	
2101	60012	120	2000W	1800VA	600VA*
2104	60013	208-277	2000W	1800VA	600VA*
2107	60031	120/277	2000W	1800VA	600VA*
73866	62020	Mounting Bracket	-	-	-

*LED rating for UL only.



2110 SERIES

1/2" CONDUIT MOUNTING DIE CAST ALUMINUM PHOTOCONTROL



APPLICATIONS

- Parking lot lighting
- Building perimeter lighting
- Outdoor signage



FEATURES

SENSOR: Conformal coated cadmium sulphide photocell resists effects of moisture and airborne contaminants. Photocell responds to the light spectrum near to that of a human eye.

STANDARDS: Meets ANSI/UL773A.

OPERATION: Delay of up to two minutes to prevent false switching due to light from passing vehicles, lightning, etc.

HOUSING: Die cast aluminum housing and base. Gasketed for weather protection.

ENERGY SAVINGS: Works with screw base CFLs.

SPECIFICATIONS

ON/OFF: Turn ON is 1 to 5fc, Turn OFF is 3 to 15fc, without the slide in position. ON/OFF adjustment is easily made by moving a slide cover. No tools required.

TIME DELAY: ON and OFF.

CELL: Cadmium sulphide, epoxy conformal coated 1/2" diameter. MODEL 2117 is 1" cell.

CONTACTS: Remain closed between dusk and dawn (the unit fails in the ON position).

LEAD WIRES: Three color coded, minimum 6" wire leads, #16AWG, rated for 105 °C. (2117 #10AWG red and black).

POWER CONSUMPTION: Averages under 1 watt.

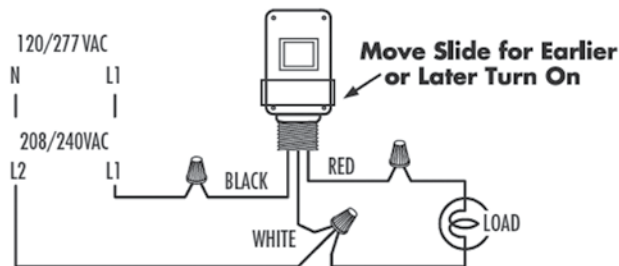
TEMPERATURE RANGE: -40 °F to +140 °F (-40 °C to +60 °C).

FAIL MODE: ON.

WARRANTY: 5 years.

CAT. NO.	UPC CODE	VOLTAGE (VAC) 50-60Hz	RATING		LED
			TUNGSTEN	BALLAST	
2115	60032	120	2000W	1800VA	600VA
2116	60033	208-277	3470-4620W	2080-2770VA	1040-1385VA
2117*	60037	120	3000W	3000VA	-
73866	62020	Mounting Bracket	-	-	-

*Not UL or CSA rated.



2000 SERIES

1/2" CONDUIT MOUNTING
FIXED POSITION, LEXAN® HOUSING
WITH WEATHERPROOF SEALANT
PHOTOCONTROL



APPLICATIONS

- Flood lamp
- Patio lamp
- Decorative lighting

FEATURES

SENSOR: Conformal coated cadmium sulphide photocell resists effects of moisture and airborne contaminants. Photocell responds to the light spectrum near to that of a human eye.

OPERATION: Delay of up to two minutes to prevent false switching due to light from passing vehicles, lightning, etc.

STANDARDS: Meets ANSI/UL773A.

HOUSING: All Lexan® enclosures are impact and vandal resistant. Translucent Lexan® Dome prolongs cell life by further screening out ultraviolet rays. Dome and base are ultrasonically welded for maximum strength.

ENERGY SAVINGS: Works with screw base CFLs.

SPECIFICATIONS

ON/OFF: Turn ON is 1 to 5fc. Turn OFF is 3 to 15fc, without the slide in position. ON/OFF adjustment is easily made by moving a slide cover. No tools required.

TIME DELAY: ON and OFF.

CELL: Cadmium sulphide, epoxy conformal coated 1/2" diameter.

CONTACTS: Remain closed between dusk and dawn. (The unit fails in the ON position).

LEAD WIRES: Three color coded, minimum 6" wire leads, #16AWG, rated for 105 °C.

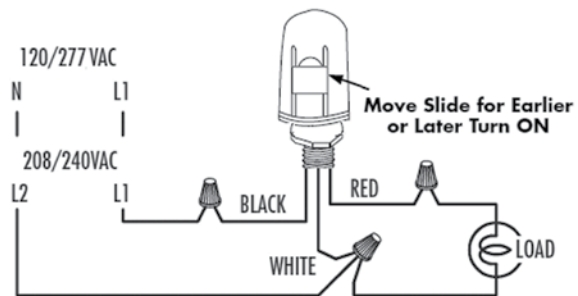
POWER CONSUMPTION:
Averages under 1 watt.

TEMPERATURE RANGE:
-40 °F to +140 °F (-40 °C to +60 °C).

FAIL MODE: ON.

WARRANTY: 5 years.

CAT. NO.	UPC CODE	VOLTAGE (VAC) 50-60Hz	RATING		LED
			TUNGSTEN	BALLAST	
2000	60017	120	2000W	1800VA	600VA
2000-2	60018	208-277	3470-4620W	2080-2770VA	1040-1385VA
73866	62020	Mounting Bracket	-	-	-



2001 SERIES

1/2" CONDUIT MOUNTING

180° SWIVEL, LEXAN® HOUSING

PHOTOCONTROL



APPLICATIONS

- Flood lamp
- Patio lamp
- Decorative lighting

FEATURES

SENSOR: Conformal coated cadmium sulphide photocell resists effects of moisture and airborne contaminants. Photocell responds to the light spectrum near to that of a human eye.

OPERATION: Delay of up to two minutes to prevent false switching due to light from passing vehicles, lightning, etc.

STANDARDS: Meets ANSI/UL773A.

HOUSING: All Lexan® enclosures are impact and vandal resistant. Translucent Lexan® Dome prolongs cell life by further screening out ultraviolet rays. Dome and base are ultrasonically welded for maximum strength.

ENERGY SAVINGS:
Works with screw base CFLs.

SPECIFICATIONS

ON/OFF: Turn ON is 1 to 5fc. Turn OFF is 3 to 15fc, without the slide in position. ON/OFF adjustment is easily made by moving a slide cover. No tools required.

TIME DELAY: ON and OFF.

CELL: Cadmium sulphide, epoxy conformal coated 1/2" diameter.

CONTACTS: Remain closed between dusk and dawn. (The unit fails in the ON position).

LEAD WIRES: Three color coded, minimum 6" wire leads, #16AWG, rated for 105 °C.

POWER CONSUMPTION:
Averages under 1 watt.

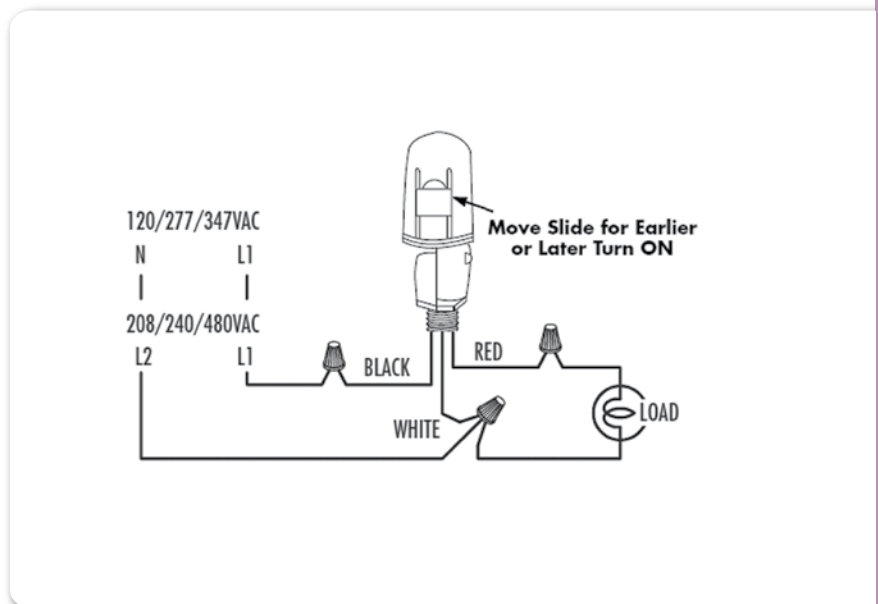
TEMPERATURE RANGE:
-40 °F to +140 °F (-40 °C to +60 °C).

FAIL MODE: ON.

WARRANTY: 5 years.

CAT. NO.	UPC CODE	VOLTAGE (VAC) 50-60Hz	RATING		LED
			TUNGSTEN	BALLAST	
2001	60015	120	2000W	1800VA	600VA
2002	60016	208-277	3470-4620W	2080-2770VA	1040-1385VA
NEW! 2006*	60028	347	5760W	3470VA	-
2018**	62021	480	7500W	4800VA	-
73866	62020	Mounting Bracket	-	-	-

*CSA certified only. **Not UL or CSA rated.



2020 SERIES

1/2" CONDUIT MOUNTING

180° SWIVEL, LEXAN® HOUSING

PHOTOCONTROL



APPLICATIONS

- Flood and patio lamps
- Decorative lighting
- Ideal for applications where it is essential to aim the photocell in an exact direction to sense natural light but avoid artificial light.

FEATURES

SENSOR: Conformal coated cadmium sulphide photocell resists effects of moisture and airborne contaminants. Photocell responds to the light spectrum near to that of a human eye.

OPERATION: Delay of up to two minutes to prevent false switching due to light from passing vehicles, lightning, etc.

STANDARDS: Meets ANSI/UL773A.

HOUSING: All Lexan® enclosures are impact and vandal resistant, cover and base are ultrasonically welded for maximum strength.

ENERGY SAVINGS: Works with screw base CFLs.

SPECIFICATIONS

ON/OFF: Turn ON is 1 to 5fc. Turn OFF is 3 to 15fc.

TIME DELAY: ON and OFF.

CELL: Cadmium sulphide, epoxy conformal coated 1/2" diameter.

CONTACTS: Normally closed (the unit fails in the ON position).

LEAD WIRES: Three color coded, minimum 6" wire leads, #16AWG, rated for 105 °C.

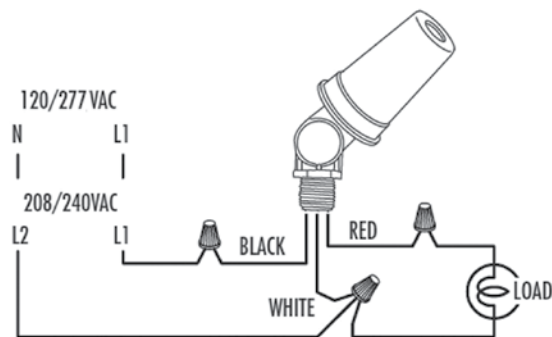
POWER CONSUMPTION: Averages under 1 watt.

TEMPERATURE RANGE: -40 °F to +140 °F (-40 °C to +60 °C).

FAIL MODE: ON.

WARRANTY: 5 years.

CAT. NO.	UPC CODE	VOLTAGE (VAC) 50-60Hz	RATING		LED
			TUNGSTEN	BALLAST	
2021	60024	120	2000W	1800VA	600VA
2022	60025	208-277	3470-4620W	2080-2770VA	1040-1385VA
73866	62020	Mounting Bracket	-	-	-



3000 SERIES

FLUSH MOUNTING LEXAN® HOUSING PHOTOCONTROL



Flush Mounting
Model 3010



APPLICATIONS

- Pole lanterns
- Lawn lighting
- Walkways

SPECIFICATIONS

ON/OFF: Turn ON is 1 to 5fc. Turn OFF is 3 to 15fc.

TIME DELAY: ON and OFF.

CELL: Cadmium sulphide, conformal coated 1/2" diameter.

CONTACTS: Normally closed (the unit fails in the ON position).

LEAD WIRES: Three color coded, minimum 9" wire leads, #16AWG, rated for 105 °C.

POWER CONSUMPTION:
Averages under 1 watt.

TEMPERATURE RANGE:
-40 °F to +158 °F (-40 °C to +70 °F).

FAIL MODE: ON.

WARRANTY: 5 years.

FEATURES

SENSOR: Conformal coated cadmium sulphide photocell resists effects of moisture and airborne contaminants. Photocell responds to the light spectrum near to that of a human eye.

OPERATION: Delay of up to two minutes to prevent false switching due to light from passing vehicles, lightning, etc.

STANDARDS: Meets ANSI/UL773A.

HOUSING & MOUNTING: Control housing is weather-resistant molded Lexan® with ultrasonically welded seams.

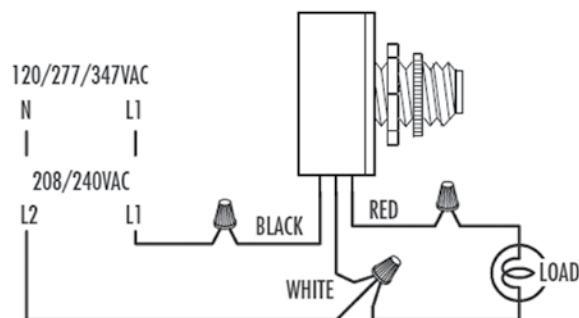
MODEL 3000: Flush mounting through .6875" hole in post lantern or lighting fixture, 3/8" NPT, stem 3/4" long. Gasket and nut supplied.

MODEL 3010: flush mounting into standard, raintight junction box. Includes aluminum plate and gasket to fit FS type outdoor junction box.

ENERGY SAVINGS: Works with screw base CFLs.

CAT. NO.	UPC CODE	VOLTAGE (VAC) 50-60Hz	RATING		LED
			TUNGSTEN	BALLAST	
3000	60020	120	2000W	1800VA	600VA
3002	60019	208-277	3470-4620W	2080-2770VA	1040-1385VA
NEW! 3006	60026	347	5760W	3470VA	-
3010	60021	120	2000W	1800VA	600VA

*CSA certified only.



5000M SERIES

DELAYED RESPONSE UTILITY GRADE MOV SURGE ARRESTOR PHOTOCONTROL



SPECIFICATIONS

ON/OFF: Turn-ON is 1 to 3 fc. Turn-OFF to Turn-ON ratio is 5 max.

TIME DELAY: ON and OFF.

CELL: CdS, epoxy conformal coated 1/2" and 1" diameter models.

SURGE ARRESTOR: 380 joule MOV (metal oxide varistor) exceeds ANSI and NEMA requirements.

LOCKING PRONGS: Solid brass for maximum corrosion resistance and electrical conductivity.

TEMPERATURE RANGE: -40 °F to +140 °F (-40 °C to +60 °C).

FAIL MODE: ON.

WARRANTY: 3 years.

APPLICATIONS



- For use on streets, highways and other luminaries equipped with locking type receptacles, where most stringent surge protection is needed.

FEATURES

SENSOR: Conformal coated CdS photocell resists effects of moisture and airborne contaminants. Photocell responds to the light spectrum near to that of a human eye.

OPERATION: Delayed response prevents false switching due to light from vehicles or lighting, etc.

STANDARDS: Meets UL773 and ANSI C136.10 including color designations. Also meets EEL NEMA standards.

ANSI DOME COLOR-CODE: Grey 105-130VAC, Maroon 208-277VAC, Blue 105-285VAC, Yellow 480VAC, Green 347VAC.

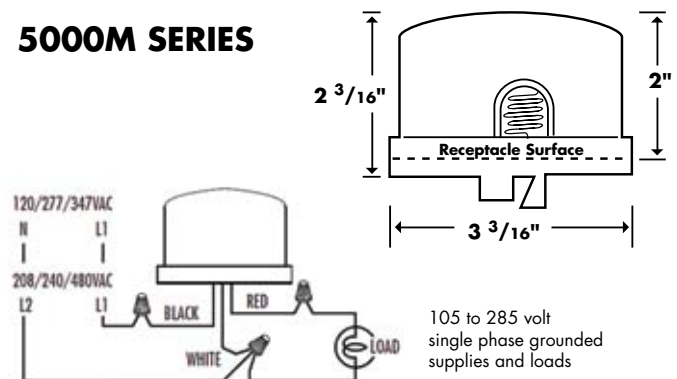
HOUSING: Polycarbonate housing and window, UV stabilized for permanent color. Provides high impact performance, flammability resistance, and electrically safe operations.

CONTACTS: Bi-metal provides positive snap action switching, reducing bounce and prolonging contact life.

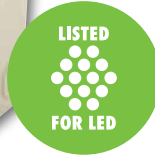
CAT. NO.	UPC CODE	VOLTAGE (VAC) 50-60Hz	LIGHT SENSOR	RATING	
				TUNGSTEN	BALLAST
5001M	61012	105-130	1"	2000W	1800VA
5004M	61013	208-277	1"	3470-4620W	2080-2770VA
5007M	61014	105-130/208-285	1/2"	2000W/ 3470-4620W	1800VA/ 2080-2770VA
5008M*	61017	480	1"	7500W	4800VA
5021M	61015	105-130	1/2"	2000W	1800VA
5024M	61016	208-277	1/2"	3470-4620W	2080-2770VA
NEW! 5026M**	61045	347	1/2"	5760W	3470VA

*Not UL listed or CSA certified. **CSA certified only.

5000M SERIES



5400A SERIES CONTACTORS WITH TURN-LOCK PHOTOCONTROL



SPECIFICATIONS

RECEPTACLE: 3-prong turn-lock meets the requirements of EEL NEMA.

POWER CONSUMPTION:
Maximum 3 watts during daylight.

APPLICATIONS



- For street lighting. Controls all lighting loads in excess of the capacity of the photoelectric control contacts.

FEATURES

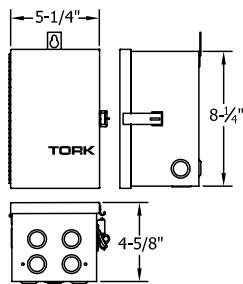
OPERATION: Delay up to two minutes to prevent false switching due to light from passing vehicles, lighting, etc. Photocontrol provides dusk to dawn control of lighting contactor for heavy duty switching.

STANDARDS: Meets UL773 and ANSI C136.10 for photocontrols.

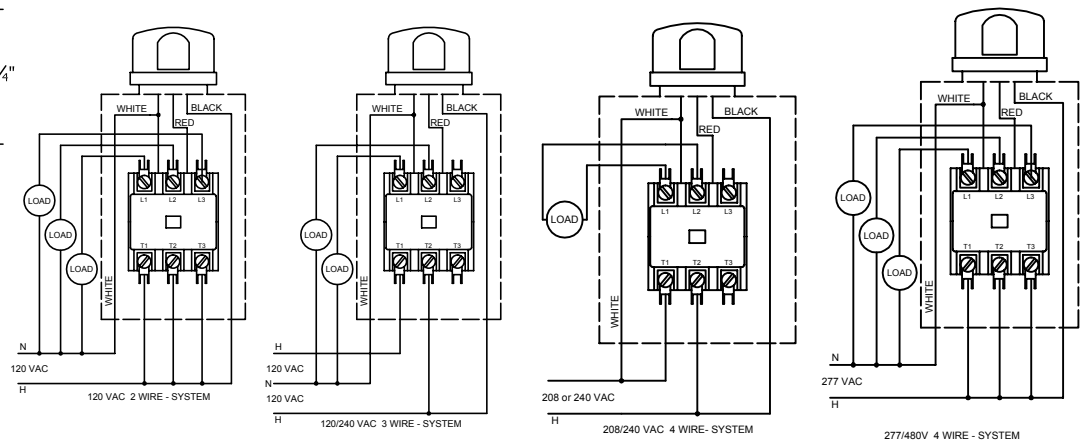
HOUSING: Outdoor NEMA Type 3R. Beige enamel finish. Two 1/2"– 3/4" combination KO in bottom.

CAT. NO.	UPC CODE	PHOTOCONTROL INCLUDED	VOLTAGE (VAC) 60Hz	SWITCH
5403A	81012	2005B	120	DPST
5404A	81013	2007B	208-240	DPST
5404-3A	81014	2007B	277	DPST

TYPE	VOLTAGE (VAC)	CONTACT RATING PER POLE
Resistive	120-277	40A
Tungsten	120	30A
Ballast	120-277	40A
LED	120-277	40A
Motor	120 240	3HP 7.5HP



5400A SERIES



2005A SERIES

INSTANT RESPONSE TURN-LOCK PHOTOCONTROL



SPECIFICATIONS

ON/OFF: Turn-ON is 1.5 foot candle +/-0.5
OFF/ON ratio is 1.5:1 average.

TIME DELAY: Instant ON/3-5 seconds OFF.

CELL: CdS, epoxy conformal coated
1/2" diameter.

RELAY: Rated life 6,000 operations

SURGE ARRESTOR: 360 joules MOV
exceeds NEMA and ANSI requirements.

LOCKING PRONGS: Solid brass prongs
for maximum corrosion resistance and
electrical conductivity.

TEMPERATURE RANGE:
-40 °F to +158 °F (-40 °C to +70 °C).

FAIL MODE: ON.

WARRANTY: 3 years.

APPLICATIONS



- For state and county DOT & municipalities use on roadway and bridges. Also use for general commercial facilities.

FEATURES

SENSOR: Conformal coated CdS photocell resists effects of moisture and airborne contaminants. Photocell responds to the light spectrum near to that of a human eye.

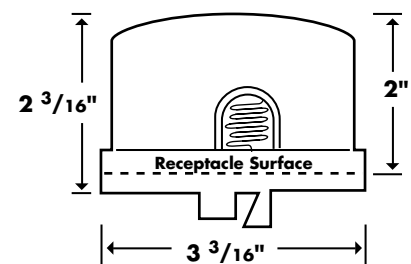
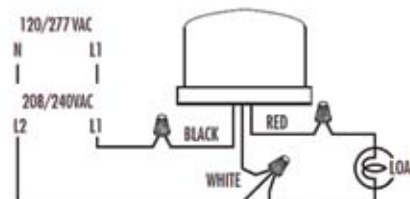
STANDARDS: Meets UL773 and ANSI C136.10 including color designations. Also meets EEL NEMA standards.

HOUSING: Polypropylene, UV stabilized, permanent color with UV resistant clear acrylic window. Provides high impact, flammability resistance and electrically safe operations.

CONTACTS: DC relay has positive snap action switching, reducing bounce and prolonging contact life.

CAT. NO.	UPC CODE	VOLTAGE (VAC) 50-60Hz	COLOR	RATING	
				TUNGSTEN	BALLAST
2005A	62012	105-130	Grey	1000W	1800VA
2007A	62013	105-285	Blue	1000W	1800VA

2005A SERIES



105 to 285 volt
single phase grounded
supplies and loads

2005B SERIES

INSTANT RESPONSE TURN-LOCK PHOTOCONTROL



APPLICATIONS

- For state and county DOT & municipalities use on roadway and bridges. Also use for general commercial facilities.

SPECIFICATIONS

ON/OFF: Turn-ON is 1.5 foot candle +/-0.2 OFF/ON ratio is 1.5:1 average.

TIME DELAY: Instant ON/3-5 seconds OFF.

CELL: Molded sealed IR filtered sensor

RELAY: Rated life 6,000 operations

SURGE ARRESTOR: 360 joules MOV exceeds ANSI and NEMA requirements.

LOCKING PRONGS: Solid brass prongs for maximum corrosion resistance and electrical conductivity.

TEMPERATURE RANGE: -40 °F to +158 °F (-40 °C to +70 °C).

FAIL MODE: ON.

WARRANTY: 6 years.

FEATURES

SENSOR: Molded sealed IR filtered sensor resists effects of moisture and airborne contaminants. IR filter responds to the light spectrum near to that of a human eye.

STANDARDS: Meets UL773 and ANSI C136.10 including color designations. Also meets EEL NEMA standards.

HOUSING: Polycarbonate housing and window, UV stabilized for permanent color. Polycarbonate provides high impact performance, flammability resistance, and electrically safe operations.

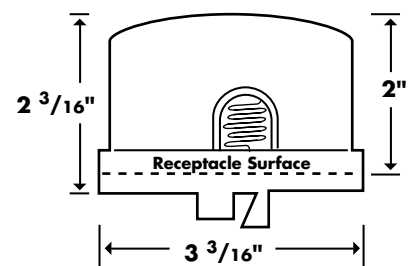
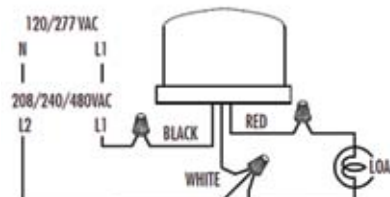
CONTACTS: DC relay has positive snap action switching, reducing bounce and prolonging contact life. Fail ON for safety.

CUSTOM: Available for custom design to meet specific utility specification including light level activation and dome colors. Dome colors available include Black, Brown, Orange and Green along with ANSI colors.

CAT. NO.	UPC CODE	VOLTAGE (VAC) 50-60Hz	COLOR	RATING		LED
				TUNGSTEN	BALLAST	
2005B	60015	105-130	Grey	1000W	1800VA*	4 Amps
2007B	60016	105-305	Blue	1000W	1800VA*	4 Amps
2008B**	62017	400-550	Yellow	1000W	1800VA	4 Amps

*cUL Listed 1000VA. ** Not UL or cUL Listed.

2005B SERIES



105 to 305 volt single phase grounded supplies and loads

5200A SERIES

UTILITY GRADE ELECTRONIC WITH FAIL ON MODE PHOTOCONTROL



APPLICATIONS

- Designed meet local utility standards for street and highway lighting controls.

FEATURES

SENSOR: Molded sealed IR filtered sensor resists effects of moisture and airborne contaminants. IR filtered responds to the light spectrum near to that of a human eye.

STANDARDS: Meets ANSI C136 including color designations. Also meets EEI NEMA standards.

HOUSING: Polycarbonate housing and window, UV stabilized for permanent color. Polycarbonate provides high impact performance, flammability resistance, and electrically safe operations.

CONTACTS: DC relay has positive snap action switching, reducing bounce and prolonging contact life. Fail ON for safety.

CUSTOM: available for custom design to meet specific utility specification including light level activation and dome colors. Dome colors available include Black, Brown, Orange and Green along with ansi colors.

SPECIFICATIONS

ON/OFF: Turn ON is 1.5 foot candle +/- 0.2 OFF/ON ratio is 1.5:1 average*.

TIME DELAY: Instant ON/3-5 second OFF.

CELL: Molded sealed IR filtered sensor.

RELAY: Rated life 5,000 operations.

SURGE ARRESTOR: 360 joule MOV (metal oxide varistor) exceeds ANSI and NEMA requirements.

LOCKING PRONGS: Solid brass for maximum corrosion resistance and electrical conductivity.

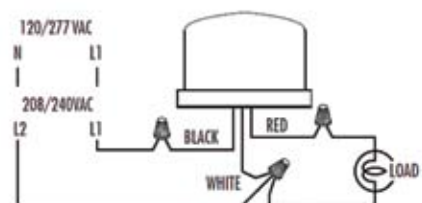
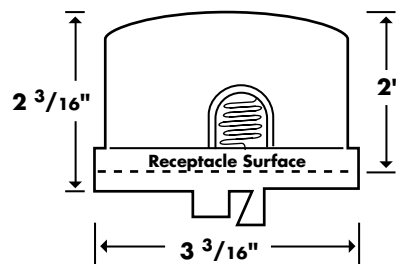
TEMPERATURE RANGE: -40 °F to +158 °F (-40 °C to +70 °C).

FAIL MODE: ON.

WARRANTY: 5 years.

CAT.NO.	UPC CODE	VOLTAGE (VAC) 50-60Hz	COLOR	RATING	
				TUNGSTEN	BALLAST
5231A	78898	105-130	Grey	1000W	1800VA
5237A	78899	105-305	Blue	1000W	1800VA

5200A SERIES



105 to 305 volt single phase grounded supplies and loads

5200-UL

INSTANT RESPONSE TURN-LOCK PHOTOCONTROL



APPLICATIONS

- Designed meet local utility standards for street and highway lighting controls.

SPECIFICATIONS

ON/OFF: Turn ON is 1.5 foot candle +/- 0.2 OFF/ON ratio is 1.5:1 average.

TIME DELAY: Instant ON/3-5 second OFF.

CELL: Molded sealed IR filtered sensor

RELAY: Rated life 6,000 operations

SURGE ARRESTOR: 360 joule MOV (metal oxide varistor) exceeds ANSI and NEMA requirements.

LOCKING PRONGS: Solid brass for maximum corrosion resistance and electrical conductivity.

CUSTOM: Available for custom design to meet specific utility specification.

TEMPERATURE RANGE: -40 °F to +158 °F (-40 °C to +70 °C).

FAIL MODE: ON.

WARRANTY: 8 years.

FEATURES

SENSOR: Molded sealed IR filtered sensor resists effects of moisture and airborne contaminants. IR filter responds to the light spectrum near to that of a human eye.

STANDARDS: Meets UL773 and ANSI C136.10 including color designations. Also meets EEI NEMA standards.

HOUSING: Polycarbonate housing and window, UV stabilized for permanent color. Polycarbonate provides high impact performance, flammability resistance, and electrically safe operations.

ENERGY SAVINGS: Listed for use with LED lamp drivers.

CONTACTS: DC relay has positive snap action switching, reducing bounce and prolonging contact life. Fail ON for safety.

CUSTOM: Available for custom design to meet specific utility specification.

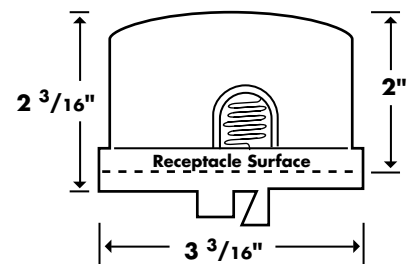
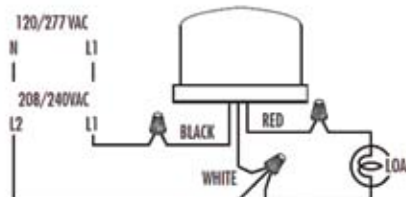
CAT. NO.	UPC CODE	VOLTAGE (VAC) 50-60Hz	COLOR	RATING		LED
				TUNGSTEN	BALLAST	



5237-UL	78895	105-305	Blue	1000W	1800VA*	1000W
---------	-------	---------	------	-------	---------	-------

*cULus Listed 1000VA.

5237-UL



105 to 305 volt single phase grounded supplies and loads

5737 SERIES

ON AT DUSK, OFF AT MIDNIGHT
ON EARLY MORNING,
OFF AT DAWN
PHOTO-TIMERS



APPLICATIONS

- Offices
- Restaurant signage
- Billboards
- Landscape and yard lighting
- Ideal for situations when visible traffic is reduced – lights ON at dusk and OFF at 10pm or later, then on again for early morning illumination.

FEATURES

OPERATION: Microprocessor tracks the dusk and dawn times with the seasons and automatically determines midnight, NO PROGRAMMING REQUIRED. Automatically "re-learns" and resets after power outage, eliminating costly maintenance. DST correction built in.

STANDARDS: Meets ANSI C136.10 including color designations. Also meets EEI NEMA standards.

HOUSING: UV stabilized, ANSI color-coded polypropylene dome. UV stabilized, clear acrylic window. ABS base. Cross-linked, polypropylene gasket.

CONTACTS: DC relay has positive snap action switching, reducing bounce and prolonging contact life. Fail ON for safety.

SPECIFICATIONS

ON/OFF: Turn ON at dusk is 5.0 foot candle +/- 0.5 OFF/ON ratio is 1.5:1 average.

TIME DELAY: Instant ON/3-5 seconds OFF.

CELL: Silicon photosensor

SURGE ARRESTOR: 360 joule MOV (metal oxide varistor) exceeds ANSI and NEMA requirements.

5737TM HALF-NIGHT FUNCTION: Allows user to adjust OFF time during the night. OFF time can be set for up to two hours before (for extra energy savings) or up to two hours after midnight. Use to stagger groups of lights to go OFF at different times during the night.

5737TZ TWO FUNCTION:

1) Standard: Set as a Dusk to Dawn photocontrol.

2) Half-night & Pre-Dawn: Turns on at Dusk. User adjusts OFF time for up to two hours before or after midnight. Then set countdown to Pre-dawn ON again 2 - 10 hours later. It always turns OFF at Dawn.

LOCKING PRONGS: Solid brass Prongs for maximum corrosion resistance and electrical conductivity.

TEMPERATURE RANGE:

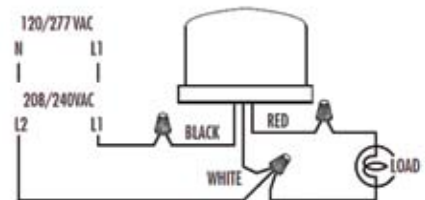
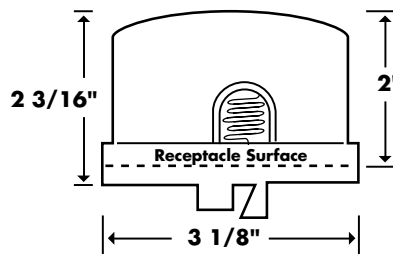
-40 °F to +158 °F (-40 °C to +70 °C).

FAIL MODE: ON.

WARRANTY: 3 years.

CAT. NO.	UPC CODE	VOLTAGE (VAC) 50-60Hz	COLOR	SWITCH	RATING	
					TUNGSTEN	BALLAST
5737TZ	62010	105-305	Blue	SPST	1000W	1800VA
5737TM	62009	105-305	Grey	SPST	1000W	1800VA

5237 SERIES





105-305 VAC
single phase grounded supplies and loads

PHOTOCONTROL ACCESSORIES FOR TURN-LOCK CONTROLS


REPLACEMENT CAPS

5500 replaces photocontrol to change light fixture to always ON.
5500-OC replaces photocontrol to change light fixture to always OFF.
Durable materials and gasket provide longevity and weatherproof protection.

DEVICE	CAT NO.	UPC CODE	DESCRIPTION
	5500	61130	Shorting cap, 480VAC max 1800W Tungsten, 1800VA Ballast
	5500-OC	61132	Open cap, 480VAC max (Black housing)


RECEPTACLE

120-480V 50/60 Hz 15 amp maximum receptacle with color-coded 12" long, #14 leads, mounting bracket and one mounting screw.

DEVICE	CAT NO.	UPC CODE	DESCRIPTION
	2224	61026	Receptacle and mounting bracket


MOUNTING BRACKET

Utility mounting bracket for 1/2" threaded conduit photocontrols.

DEVICE	CAT NO.	UPC CODE	DESCRIPTION
	73866	62020	Mounting Bracket


RECEPTACLE

120-480V 50/60 Hz 15 amp maximum receptacle with color-coded 12" long, #14 leads, gasket and two mounting screws.

DEVICE	CAT NO.	UPC CODE	DESCRIPTION
	2223	61025	Receptacle with gasket

RECEPTACLE

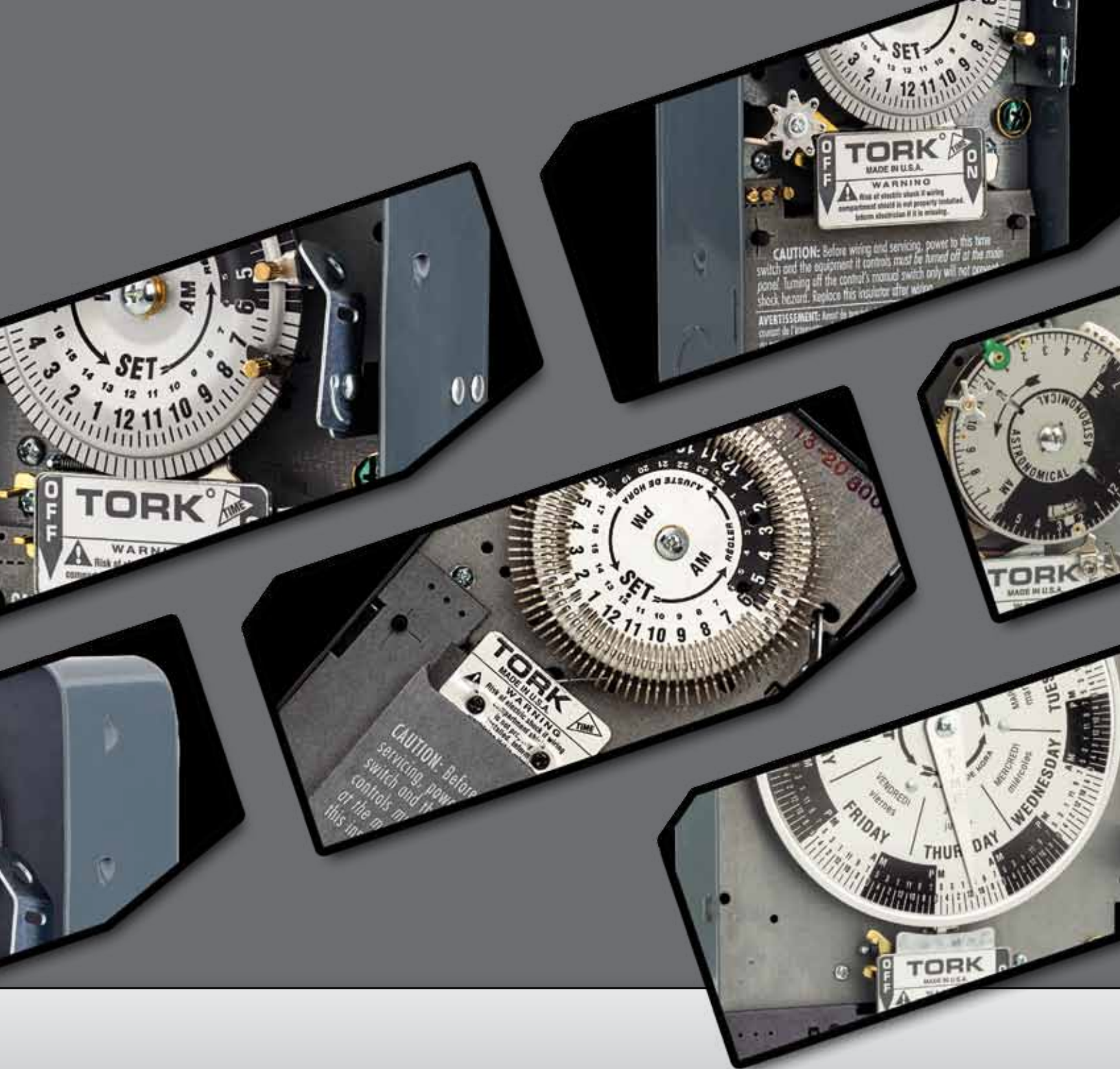
120-480V 50/60 Hz 15 amp maximum receptacle with color-coded 12" long, #14 leads, plastic housing, lock nut (with 1/2" NPT) and a mounting bracket.

DEVICE	CAT NO.	UPC CODE	DESCRIPTION
	2421	61021	Receptacle with plastic housing and bracket





NSi offers many splicing options to complete the pole installation.
See the splicing section pages 217- 238.





TORK® ELECTROMECHANICAL TIME SWITCHES

QUICK REFERENCE GUIDE

SERIES	PAGE NO.	CLOCK DIAL	MINIMUM SETTINGS (MINUTES)		SKIP A DAY	MANUAL OVERRIDE	SUNRISE/SUNSET	MAX ON & OFF EVENTS PER DAY	SWITCH TYPES					RATINGS (AMPS)	RESERVE POWER
			ON	OFF											
TU40	453	24 Hour	15	15		Permanent		48	SPST	DPST	SPDT	DPDT		40	
1100	455	24 Hour	20	75		Yes		12	SPST	DPST				40	
7000	457	24 Hour	20	75	Yes	Yes		12	SPST	DPST	SPDT	DPDT	3PST	40	Available
7000Z	459	24 Hour	20 or 40 Minute Offset		Yes	Yes		1		DPST	SPDT		3PST	40	Available
TZ	473	24 Hour	20 or 40 Minute Offset		Yes	Permanent by circuit		1				DPDT	3PST	20	Standard
W	467	7 Day	60	120	Yes	Yes		2	SPST	DPST	SPDT	DPDT	3PST 4PST	40	Available
TW	471	7 Day	60	120	Yes	Permanent by circuit		2				DPDT	3PST	20	Standard
T900	469	7 Day	60	120	Yes	Permanent by circuit	Photo Control	2					2 SPDT 3 SPDT	20	Standard
1847A	465	24 Hour	20	75	Yes			12	SPDT, Momentary Contact					10	Available
1847AW	465	7 Day	60	120	Yes	Yes		2	SPDT, Momentary Contact					10	Available
8000	461	24 Hour	15	15	Available			48	SPDT					20	Available
8000	463	6, 12, 30 & 60 Min.	Varies by dial 6 sec. to 1 min.					30/dial	SPDT					20	
WH2B	464	24 Hour	20	75		Yes		12	DPST					40	

EASY TO SET DIAL ASSEMBLY



Tork's 24 hour dial assembly allows the user to set the time switch more accurately, easily moving it by hand in small increments. Dial can provide up to 12 ON/OFFs per day with cycles as short as 20 minutes. AM and PM settings are easy to see by the light and dark areas of the dial.

CAPTIVE TABS – DUTY CYCLE DIAL



For applications requiring many ON/OFF cycles per day, captive tabs on this dial tilt in and out just using your fingertip!

FIELD UPGRADEABLE TO SunSet DIALS



All Tork 24 hour time switches can be upgraded in the field to a SunSet timer dial.

SPRING WOUND RESERVE



During power outages, precision spring mechanism takes over instantly and automatically. Keeps the mechanism on time up to 16 hours on 24 hour models and up to 24 hours on 7 day models. No resetting is needed after power resumes, and field installation is easy.

REMOVABLE DOOR



Tork time switches feature removable doors to provide easy access for installation and wiring.

ENCLOSED MOTOR



Time switch motors are enclosed to protect from dust and damage.

QUALITY ASSURANCE

TORK® Electromechanical Controls are designed and manufactured with components which adhere to the highest industry standards. Trained personnel and in-process quality procedures ensure that every unit meets our strictest quality expectations.

TU40 SERIES

UNIVERSAL MULTI-VOLTAGE
SAME ON/OFF TIMES EACH DAY
24 HOUR TIME SWITCH



ALL PURPOSE
CONTACTS,
HOUSING,
& VOLTAGES!

APPLICATIONS



- Lighting
- Pumps
- Signs
- Air conditioning
- Water heaters
- Fans

FEATURES

MULTI-VOLTAGE: Automatic input voltage detection.

EASY SET: Real time clock face and day/night markings for setting trippers.

SCHEDULING: Minimum ON is setting 15 minutes. Dial has 96 captive trippers.

4 in 1 CONTACTS: DPDT can also wire as SPST, SPDT, & DPST.

BYPASS SWITCH: Sets timer to permanent ON, OFF or timer operation.

VACATION MODE: Set timer OFF with no change of tripper settings.

INDICATING LIGHTS: Power ON green and load ON red and LED indicators.

STANDARDS: Listed UL60370 (formerly UL917).

CAT. NO.	UPC CODE	TIMER SUPPLY (VAC) 60Hz	DRY CONTACTS (UNPOWERED)	ENCLOSURE TYPE
TU40	24000	120/208-240/277	DPDT	Plastic Indoor/Outdoor NEMA 3R
TU40-Y	24001	120/208-240/277	DPDT	Metal Indoor NEMA 1

SPECIFICATIONS

INPUT VOLTAGE: 120/208-240/277VAC, 60Hz (auto detection).

TIMING ACCURACY: Line frequency.

TERMINAL RANGE: #8 - #18 AWG.

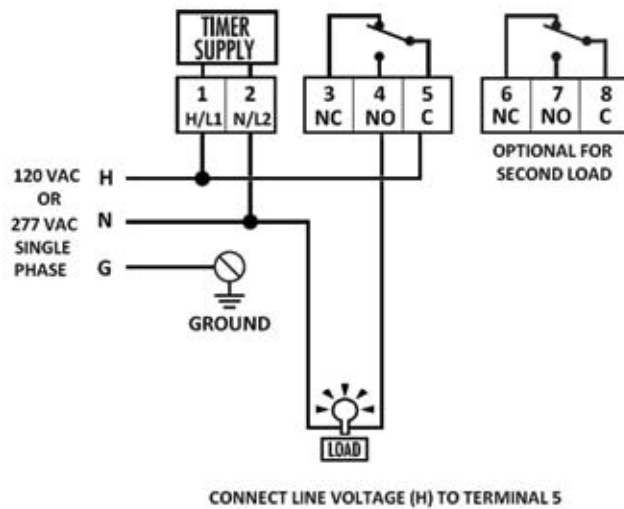
OPERATING TEMPERATURE: -31°F to 116°F (-35°C to +47°C).

POWER CONSUMPTION: 6 watts maximum.

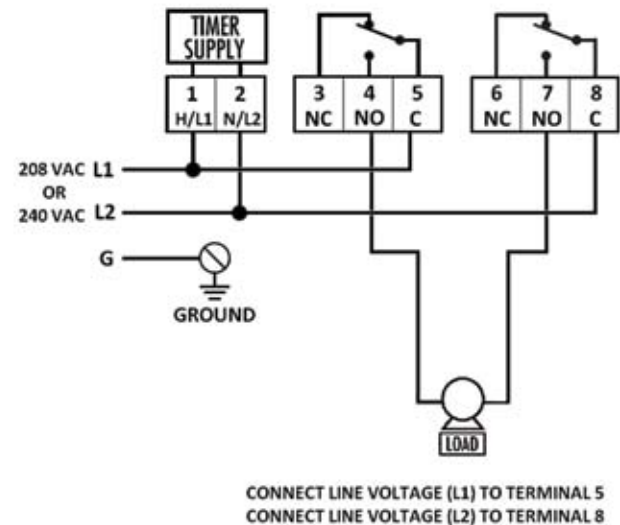
ENCLOSURE: Polycarbonate Indoor/Outdoor NEMA 3R or -Y suffix metal indoor NEMA 1 enclosure. Both with lockable hasp standard (See pages 589-593 for dimensions).

TYPE	VOLTAGE (VAC)	RATING	
		NO	NC
General Purpose	120-277	40A	30A
Inductive	120-277	30A	15A
Ballast	120	30A	10A
	277	20A	10A
Tungsten	120	15A	
Motor Load	120	1HP, 30FLA, 90LRA	¼HP, 12FLA, 30LRA
	240	2HP, 20FLA, 60LRA	½HP, 12FLA, 33LRA
Pilot Duty	120	720VA	290VA
	240	720VA	360VA
Resistive	28VDC	20A	
Max above 104°F	120-277	30A	

TYPICAL SPST WIRING - LOAD SAME VOLTAGE AS TIMER SUPPLY



TYPICAL DPST WIRING - LOAD SAME VOLTAGE AS TIMER SUPPLY



1100 SERIES

SAME DAY ON/OFF
TIMES EACH DAY
24 HOUR TIME SWITCH



APPLICATIONS

- Lighting
 - Pumps
 - Signs
 - Air conditioning
 - Water heaters
 - Fans
- Automatic ON/OFF control when operation is required at the same time every day.

FEATURES

SCHEDULING: Minimum ON is setting 20 minutes with a minimum OFF setting of 75 minutes. Dial accommodates up to 12 pairs of trippers. One pair included.

MANUAL OVERRIDE: Until the next regularly scheduled ON or OFF automatic operation then resumes.

STANDARDS: Listed UL917.

CAT. NO.	UPC CODE	INPUT SUPPLY (VAC) 60Hz	OUTPUT CONTACTS	ENCLOSURE TYPE
1101B	10064	120	SPST	Metal Indoor NEMA 1
1101B-P	10068	120	SPST	Polycarbonate Indoor/Outdoor NEMA 3R
1101B-PC	10095	120	SPST	Polycarbonate Outdoor w/ clear cover NEMA 3R
1101BM-IAP	10073	120	SPST	Mechanism and retrofit plate
1101-7 **	10033	347	SPST	Metal Indoor NEMA 1
1102B	10065	208-277	SPST	Metal Indoor NEMA 1
1103B	10066	120	DPST	Metal Indoor NEMA 1
1103B-P	10069	120	DPST	Polycarbonate Indoor/Outdoor NEMA 3R
1103B-PC	10096	120	DPST	Polycarbonate Outdoor w/ clear cover NEMA 3R
1103B-O	10098	120	DPST	Metal Indoor/Outdoor NEMA 3
1104B	10067	208-277	DPST	Metal Indoor NEMA 1
1104B-P	10070	208-277	DPST	Polycarbonate Indoor/Outdoor NEMA 3R
1104B-PC	10097	208-277	DPST	Polycarbonate Outdoor w/ clear cover NEMA 3R
1104B-O	10075	208-277	DPST	Metal Indoor/Outdoor NEMA 3
1104BM-MB	10076	208-277	DPST	Mechanism and surface mounting bracket
1104BM-IAP	10074	208-277	DPST	Mechanism and retrofit plate
Replacement Trippers	Order #P47 for a pair of ON/OFF trippers			
Replacement Motor	#101 (120V) & #201 (208-277V)			



Astronomic dial. Consult factory for correct number for your latitude

** 1101-7 CSA only 

SPECIFICATIONS

INPUT VOLTAGE: 120 or 208-277 VAC
60 Hz, varies by model.

TIMING ACCURACY: Line frequency.

TERMINAL RANGE: #8 - #14 AWG.

OPERATING TEMPERATURE:
-40° to 165°F (-40° to +74°C).

POWER CONSUMPTION:
3 watts maximum.

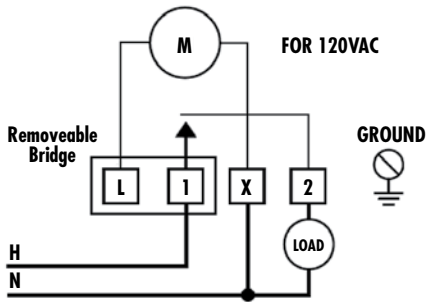
ENCLOSURE: Lockable hasp. Type varies by model (See pages 589-593 for dimensions).

OTHER MOUNTINGS:
Intermatic® Adaptor Plate model #IAP allows any 1100 series to fit into an Intermatic case.

TYPE	VOLTAGE (VAC)	CONTACT RATING
General Purpose	120 -277	40A
Resistive	120 -277	40A
Tungsten	120	40A
Ballast	120-277	20A
NEW! LED Driver	120-277	20A
Pilot Duty	120 240	1000VA 2000VA
Motor	120 240	2HP 5HP
277VAC Single Phase		

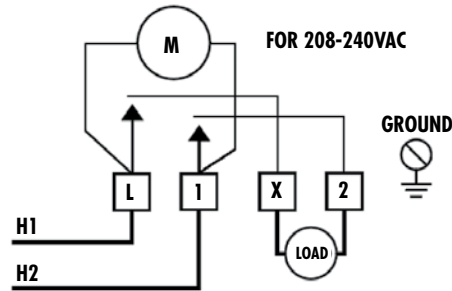
1101-7 is 30 AMP inductive at 347 volts and CSA only 

1101 & 1102

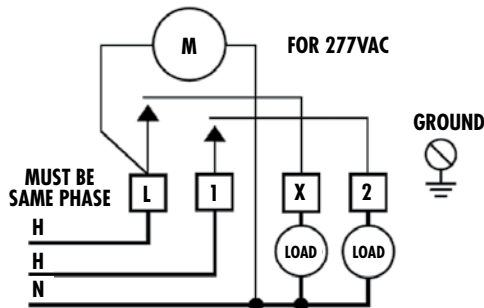
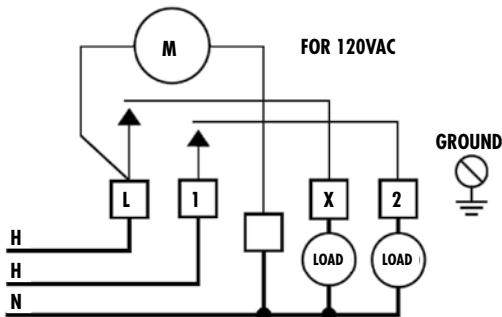


For separate motor terminals remove bridge from terminal L&1.

1104



1103



ATTENTION
TYPICAL FOR DOUBLE POLE
CUT MOTOR LEAD AT 1

7000 SERIES

WITH SKIP-A-DAY FEATURE
RESERVE POWER OPTIONAL
24 HOUR TIME SWITCH



**SKIP-A-DAY
24 HOUR!**

APPLICATIONS



- Lighting
- Heating
- Pumps
- Air conditioning
- Signs
- Automatic ON/OFF control when operation is required at the same time every day, with optional versatility of one to six days omission.

FEATURES

SCHEDULING: Minimum ON setting is 20 minutes with minimum OFF setting at 75 minutes. Dial accommodates up to 12 pairs of trippers. One pair included.

SKIP-A-DAY: Omit operations on any day with a 7-spoke wheel marked with days of week. 3 omitting screws included.

MANUAL OVERRIDE: Until the next regularly scheduled ON or OFF, automatic operation then resumes.

OPTIONAL RESERVE POWER: "L" models keep dial on time up to 16 hours during power outage.

STANDARDS: Listed UL917.

CAT. NO.	UPC CODE	INPUT SUPPLY (VAC) 60Hz	OUTPUT CONTACTS	ENCLOSURE TYPE
7100	10001	120	SPST	Metal Indoor NEMA 1
7102	10002	208-277	SPST	Metal Indoor NEMA 1
7200	11001	120	DPST	Metal Indoor NEMA 1
7202	11002	208-277	DPST	Metal Indoor NEMA 1
7300	12001	120	3PST	Metal Indoor/Outdoor NEMA 3
7302	12002	208-277	3PST	Metal Indoor/Outdoor NEMA 3
7120	13001	120	SPDT	Metal Indoor NEMA 1
7122	13002	208-277	SPDT	Metal Indoor NEMA 1
7220	14001	120	DPDT	Metal Indoor NEMA 1
WITH RESERVE POWER		(Contact factory for lead time)		
7200L	19003	120	DPST	Metal Indoor NEMA 1
7202L	19004	208-277	DPST	Metal Indoor NEMA 1
7300L	19005	120	3PST	Metal Indoor/Outdoor NEMA 3
7120L	19007	120	SPDT	Metal Indoor NEMA 1
7220L	19009	120	DPDT	Metal Indoor NEMA 1
Replacement Trippers	Order #P49 for a pair of ON/OFF per dial. Additional ON/OFF trippers per dial order #P47. 3 omitting screws #53005 supplied.			
Replacement Motor	#101 (120V) & #201 (208-277V). For "L" models #36 (120V) & #46 (208-277V). For Astronomic Conversion: Order #Z KIT for 7000 Series.			
SunSet Conversion	Astronomic dial. Consult factory for correct number for your latitude			

SPECIFICATIONS

INPUT VOLTAGE: 120 or 208-277 VAC 60 Hz varies by model.

TIMING ACCURACY: Line frequency.

TERMINAL RANGE: #8 - #14 AWG.

OPERATING TEMPERATURE: -40° to 165°F (-40° to +74°C).

POWER CONSUMPTION: 3 watts, 5 watts for "L" models maximum.

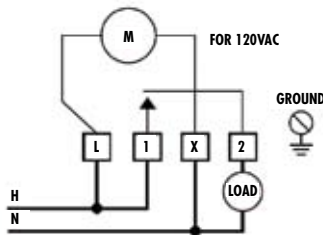
ENCLOSURE: Lockable hasp. Type varies by model (See pages 589-593 for dimensions).

OTHER MOUNTINGS: Intermatic® Adaptor Plate model #IAP allows any 7100 and 7200 series (except "L" models) to fit into an Intermatic case.

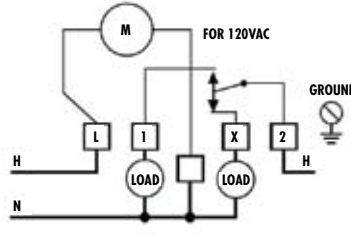
TYPE	VOLTAGE (VAC)	CONTACT RATING
General Purpose	120 -277	40A
Resistive	120 -277	40A
Tungsten	120	40A
Ballast	120-277	20A
Pilot Duty	120 -277	1000VA
Motor	120 240	2HP 5HP

277 volt Single Phase

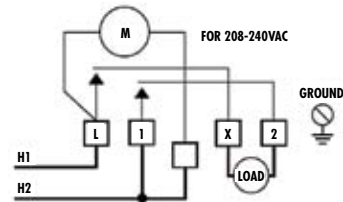
7100 & 7102



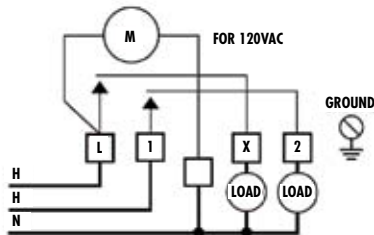
7120 & 7122



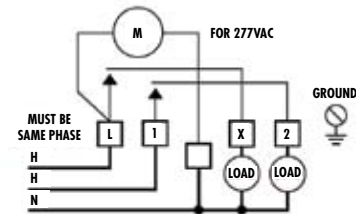
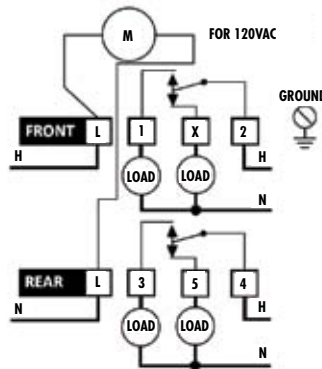
7202



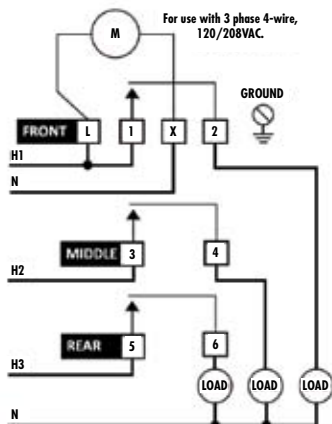
7200



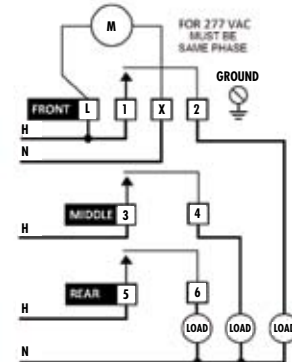
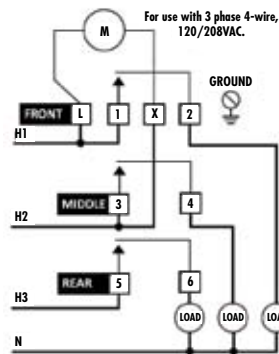
7220



7300



7302



7000Z SERIES

SunSet WITH SKIP-A-DAY FEATURE
RESERVE POWER OPTIONAL
ASTRONOMIC TIME SWITCH



ADJUSTS
TO DAILY
CHANGES IN
SUNSET
TIMES!

APPLICATIONS



- Parking lots
- Walkways
- Outdoor signage
- Window displays
- Canopy lighting
- Landscape lighting

- Automatic ON at dusk, OFF at dawn. Control of outdoor lighting.

FEATURES

SunSet ASTRONOMIC: Adjusts daily to changes in sunset times. Turn ON at sunset and OFF at sunrise daily. OFF time can be set from 8:30PM to 2:30AM. Can be individually offset +/- 20 or 40 minutes from both sunset and OFF times. Available from 18° - 45° northern latitudes.

SKIP-A-DAY: Omit operations on any day with a 7 spoke wheel marked with days of the week. 3 omitting screws included.

MANUAL OVERRIDE: Until the next regularly scheduled ON or OFF, automatic operation then resumes.

OPTIONAL RESERVE POWER: "L" models keep dial on time up to 16 hours during power outage.

STANDARDS: Listed UL917.

CAT. NO.	UPC CODE	INPUT SUPPLY (VAC) 60Hz	OUTPUT CONTACTS	ENCLOSURE TYPE
7200Z-*	**	120	DPST	Noryl® Indoor/Outdoor NEMA 3R
7202Z-*	**	208-277	DPST	Noryl® Indoor/Outdoor NEMA 3R
7300Z-*	**	120	3PST	Metal Indoor/Outdoor NEMA 3
7302Z-*	**	208-277	3PST	Metal Indoor/Outdoor NEMA 3
7120Z-*	**	120	SPDT	Noryl® Indoor/Outdoor NEMA 3R
WITH RESERVE POWER		(Contact factory for lead time)		
7200ZL-*	**	120	DPST	Noryl® Indoor/Outdoor NEMA 3R
7202ZL-*	**	208-277	DPST	Noryl® Indoor/Outdoor NEMA 3R
7300ZL-*	**	120	3PST	Metal Indoor/Outdoor NEMA 3
7302ZL-*	**	208-277	3PST	Metal Indoor/Outdoor NEMA 3
7120ZL-*	**	120	SPDT	Noryl® Indoor/Outdoor NEMA 3R
Replacement Motor	#101 (120V) & #201 (208-277V). For "L" models #36 (120V) & #46 (208-277V)			

*Add degrees latitude to complete number (18, 30, 34, 38, 40, 42, or 45).

**Consult factory for UPC number.

SPECIFICATIONS

INPUT VOLTAGE: 120 or 208-277 VAC
60 Hz, varies by model.

TIMING ACCURACY: Line frequency.

TERMINAL RANGE: #8 - #14 AWG.

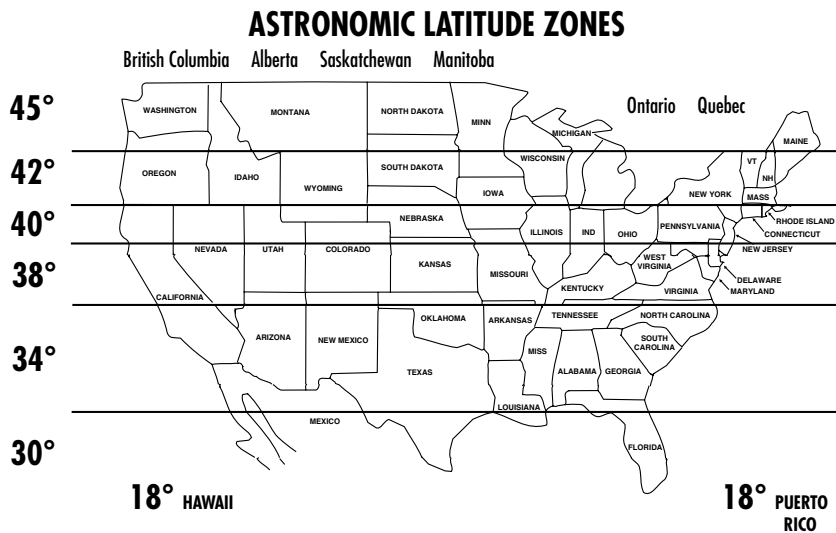
OPERATING TEMPERATURE:
-40° to 165°F (-40° to +74°C).

POWER CONSUMPTION: 3 watts,
5 watts for "L" models maximum.

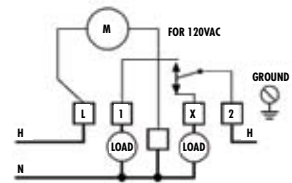
ENCLOSURE: Lockable hasp. Type
varies by model (See pages 589-593 for
dimensions).

TYPE	VOLTAGE (VAC)	CONTACT RATING
General Purpose	120 -277	40A
Resistive	120 -277	40A
Tungsten	120	40A
Ballast	120-277	20A
Pilot Duty	120 -277	1000VA
Motor	120 240	2HP 5HP

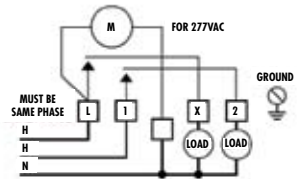
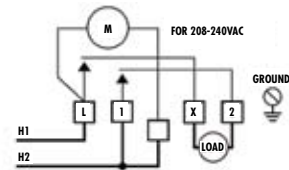
277VAC Single Phase



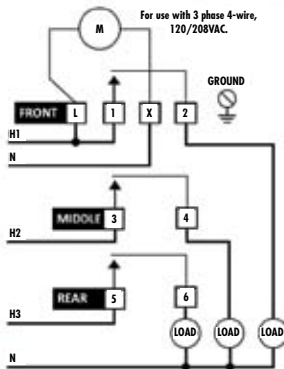
7120Z



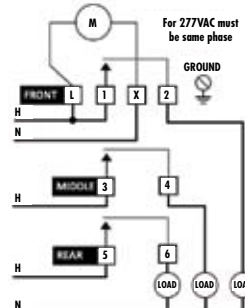
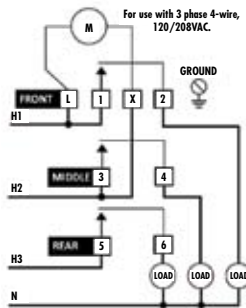
7200Z



7300Z



7302Z



8000 SERIES

MANY DAILY ON/OFF
OPERATIONS PER DAY
DUTY CYCLE
24 HOUR TIME SWITCH



**DUTY CYCLE
FOR
MULTIPLE
ON/OFF
OPERATIONS!**

APPLICATIONS



- Duty cycling
- Ventilating fans
- Pumping
- Irrigation
- Process control
- Laboratory experiments

- For one or multiple daily ON/OFF operations.

FEATURES

SCHEDULING: Minimum ON setting is 15 minutes with minimum OFF setting at 15 minutes. Dial has 96 captive tabs.

DUTY CYCLE: Adjustable from 1/2, 1, 2, 3, 4, 6, 12, and 24 hours.

SKIP-A-DAY: Some models include 7 day or 14 day wheel to omit selected days of the week.

OPTIONAL RESERVE POWER: "L" models keep dial on time up to 16 hours during power outage.

STANDARDS: Listed UL917.

CAT. NO.	UPC CODE	INPUT SUPPLY (VAC) 60Hz	OUTPUT CONTACTS	ENCLOSURE TYPE
8001	70001	120	SPDT	Metal Indoor NEMA 1
8001-N	70025	120	SPDT	Noryl® Indoor/Outdoor NEMA 3R
8001-NC	70009	120	SPDT	Noryl® Indoor/Outdoor NEMA 3R w/ clear Lexan® cover
8001-LC/WB	70010	120	SPDT	Mechanism and bracket
8001-O	70029	120	SPDT	Metal Indoor/Outdoor NEMA 3
8004	70002	208-277	SPDT	Metal Indoor NEMA 1
8001U	70003	480/120 Trans.	SPDT	Metal Indoor NEMA 1
8001U-N	70014	480/120 Trans.	SPDT	Noryl® Indoor/Outdoor NEMA 3R
8001U-O	70011	480/120 Trans.	SPDT	Metal Indoor/Outdoor NEMA 3
24 HOUR WITH SKIP-A-DAY				
8007	70005	120	SPDT	Metal Indoor NEMA 1
8007-O	70012	120	SPDT	Metal Indoor/Outdoor NEMA 3
8008	70006	208-277	SPDT	Metal Indoor NEMA 1
8007U	70008	480/120 Trans.	SPDT	Metal Indoor NEMA 1
8007U-O	70028	480/120 Trans.	SPDT	Metal Indoor/Outdoor NEMA 3
24 HOUR WITH SKIP-A-DAY & RESERVE POWER			(Contact factory for lead time)	
8007L	70015	120	SPDT	Metal Indoor NEMA 1
8008L	70016	208-277	SPDT	Metal Indoor NEMA 1

Replacement Motor

#101 (120V) & #201 (208-277V).
For "L" models #36 (120V) & #46 (208-277V)

SPECIFICATIONS

INPUT VOLTAGE: 120, 208-277VAC or 480VAC, 60Hz, varies by model.

TIMING ACCURACY: Line frequency.

TERMINAL RANGE: #8 - #14AWG.

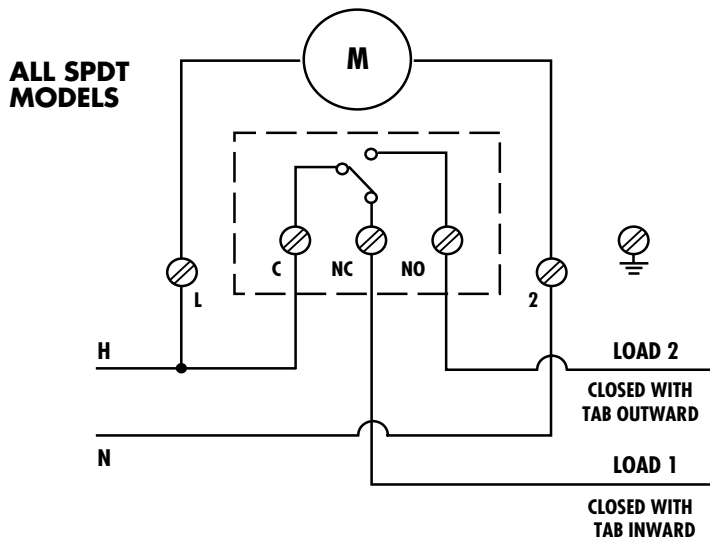
OPERATING TEMPERATURE:
-40° to 165°F (-40° to +74°C).

POWER CONSUMPTION: 3 watts, 5 watts for "L" models maximum.

ENCLOSURE: Lockable hasp. Type varies by model (See pages 589-593 for dimensions).

OTHER MOUNTINGS: Intermatic® Adaptor Plate model #IAP allows 8001 & 8004 to fit into an Intermatic® case.

TYPE	VOLTAGE (VAC)	CONTACT RATING
Resistive	120 or 240 480	20A 20A
Motor	120	3/4 HP



8000 SERIES

MULTIPLE ON/OFF CYCLES
REPEATING VARIABLE CYCLE
TIME SWITCH



SPECIFICATIONS

- INPUT VOLTAGE:** 120VAC, 60Hz.
- TIMING ACCURACY:** Line frequency.
- TERMINAL RANGE:** #8 - #14AWG.
- OPERATING TEMPERATURE:** -40° to 165°F (-40° to +74°C).
- POWER CONSUMPTION:** 3 watts maximum.
- ENCLOSURE:** Indoor NEMA 1 Metal with lockable hasp (See pages 589-593 for dimensions).

APPLICATIONS



- Duty cycling
- Ventilating fans
- Pumping
- Irrigation
- Process control
- Laboratory experiments

- For one or many daily ON/OFF operations.

FEATURES

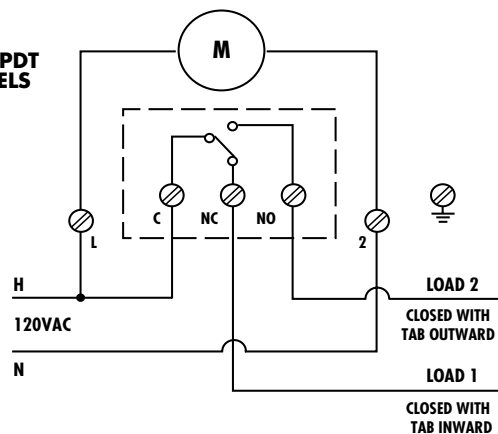
- SCHEDULING:** 60 captive tabs per dial with minimum ON/OFF settings:
 - 60 minute dial with 1 minute tabs.
 - 30 minute dial with 30 second tabs.
 - 12 minute dial with 12 second tabs.
- DUTY CYCLE:** Settings of 1/60 th of dial speed.
- STANDARDS:** Listed UL917.

CAT. NO.	UPC CODE	INPUT SUPPLY (VAC) 60Hz	OUTPUT CONTACTS	TYPE
8601	70034	120	SPDT	60 Minute
8301	70033	120	SPDT	30 Minute
8121	70032	120	SPDT	12 Minute
Replacement Motor	For 8601 #102, for 8301 #108, for 8121 #107, and for 8061 #105.			

TYPE	VOLTAGE (VAC)	CONTACT RATING
Resistive	120 or 240	20A
	480	20A
Motor	120	3/4 HP

FOR MORE TIMING CHOICES SEE ELECTRONIC EJMT WITH 960 TIMING COMBINATIONS ON PAGES 513-514

ALL SPDT MODELS



WH2B 24 HOUR WATER HEATER TIME SWITCH



Avoid utility peak rates
Turn off when not needed



SPECIFICATIONS

INPUT VOLTAGE: 208 – 250V 60 Hz.

TIMING ACCURACY: Line frequency.

TERMINAL RANGE: #8 - #14AWG.

OPERATING TEMPERATURE:
-40° to 165°F (-40° to +74°C).

POWER CONSUMPTION:
3 watts maximum.

ENCLOSURE: Indoor NEMA 1 Metal with lockable hasp (See pages 589-593 for dimensions).

APPLICATIONS

Automatic ON/OFF control of electric water heaters. Schedules the water heater to turn ON only when needed, avoiding energy waste when hot water is not needed.

CAT. NO.	UPC CODE	INPUT SUPPLY (VAC) 60Hz	OUTPUT CONTACTS	ENCLOSURE TYPE
WH2B	70044	208-250	DPST	Metal Indoor NEMA 1

TYPE	VOLTAGE (VAC)	CONTACT RATING
Resistive	208-250	40 A 10,000W
Replacement Motor	#201 (208-277)	

Replacement Trippers Order #P47 for a pair of ON/OFF trippers

FOR A SEVEN-DAY WATER HEATER TIMER SEE ELECTRONIC DTW40 ON PAGES 513-514

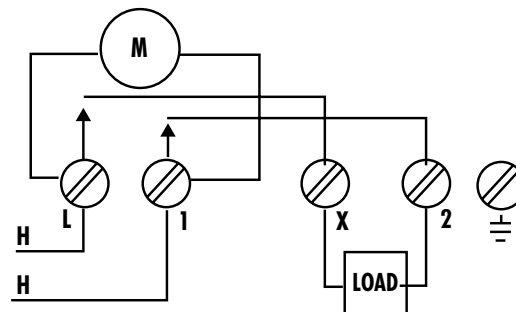
FEATURES

SCHEDULING: Minimum ON is setting 20 minutes with a minimum OFF setting of 75 minutes. Dial accommodates up to 12 pairs. 3 pairs of trippers supplied.

EXTERNAL MANUAL OVERRIDE: Until the next regularly scheduled ON or OFF automatic operation then resumes.

STANDARDS: Listed UL917.

TYPICAL FOR 240 VOLT SUPPLY



1800 SERIES

FOR MECHANICALLY HELD CONTACTORS
AND LOW VOLTAGE REMOTE CONTROL
MOMENTARY CONTACT
TIME SWITCH



APPLICATIONS



- Mechanically-held contactors
- 3-wire momentary
- lighting systems
- Remote station switching

FEATURES

24 HOUR SKIP-A-DAY: Minimum ON setting is 20 minutes with minimum OFF setting at 75 minutes. Dial accommodates up to 12 pairs of trippers. Omit operations on any day with a 7 spoke wheel marked with days of week.

7 DAY SCHEDULING: Minimum ON setting is 1 hour with a minimum OFF setting of 2 hours. Minimum 8 hours between 2 OFF settings. 7 day calendar dial will accommodate up to 2 pairs on ON/OFF trippers per day - 7 pairs are supplied.

MANUAL OVERRIDE: Until the next regularly scheduled ON or OFF, automatic operation then resumes.

OPTIONAL ASTRONOMIC SCHEDULING: Turn ON at sunset and OFF at sunrise daily. OFF time can be set from 8:30PM to 2:30AM. Can be individually offset +/- 20 or 40 minutes from both sunset and OFF times. Order astronomic dial for 1847A

STANDARDS: Listed UL917.

CAT. NO.	UPC CODE	INPUT SUPPLY (VAC) 60Hz	OUTPUT CONTACTS	TYPE
1847A	52001	120	SPDT Momentary	24 Hour
1847AW	52005	120	SPDT Momentary	7 Day
Replacement Trippers	For 24 hour models order #P49 for a pair ON/OFF per dial. Additional ON/OFF trippers per dial order #P47. 3 omitting screws #53005 supplied. 7 day models order #P69 for 7 pairs of ON/OFF trippers.			
Replacement Motor	#101(120V)			

 Astronomic dial. Consult factory for correct number for your latitude

SPECIFICATIONS

INPUT VOLTAGE: 120VAC 60Hz

TIMING ACCURACY: Line frequency.

TERMINAL RANGE: #12 - #22AWG.

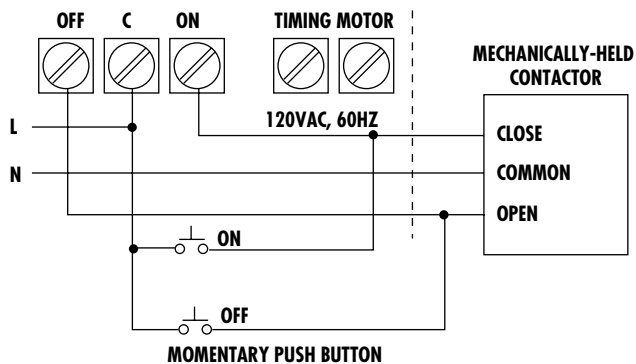
OPERATING TEMPERATURE:

-40° to 165°F (-40° to +74°C).

POWER CONSUMPTION: 3 watts, 5 watts for "L" models maximum.

ENCLOSURE: NEMA 1 Metal with lockable hasp
(See pages 589-593 for dimensions).

TYPE	VOLTAGE (VAC)	CONTACT RATING
General Purpose	24-277	10A
Pilot Duty	24-277	360VA



ASTRONOMIC LATITUDE ZONES



W SERIES

DIFFERENT SCHEDULES EACH DAY

7 DAY TIME SWITCH



APPLICATIONS



- Heating
- Air conditioning
- Display lighting
- Ventilating systems
- Lighted signage
- Storefront lighting

FEATURES

SCHEDULING: Minimum ON setting is 1 hour with a minimum OFF setting of 2 hours. Minimum 8 hours between 2 OFF settings. Models W400A and W402A offer minimum ON/OFF settings of 3½ hours. 7 day calendar dial accommodates up to 2 pairs of ON/OFF trippers per day – 7 pairs are supplied.

SKIP-A-DAY: Omit operations on any day.

MANUAL OVERRIDE: Until the next regularly scheduled ON or OFF automatic operation then resumes.

OPTIONAL RESERVE POWER: "L" models keep dial on time up to 24 hours during power outage.

STANDARDS: Listed UL917.

CAT. NO.	UPC CODE	INPUT SUPPLY (VAC) 60Hz	OUTPUT CONTACTS	ENCLOSURE TYPE
W100	30001	120	SPST	Metal Indoor NEMA 1
W120	33001	120	SPDT	
W200	31001	120	DPST	
W202	31011	208-277	DPST	
W220	34001	120	DPDT	
W222	34011	208-277	DPDT	
W300	32001	120	3PST	
W400B*	35003	120	4PST	
W402B*	35004	208-277	4PST	
WITH RESERVE POWER		(Contact factory for lead time)		
W220L	39009	120	DPDT	Metal Indoor NEMA 1
W222L	39010	208-277	DPDT	
W300L	39005	120	3PST	
W302L	39006	208-277	3PST	
W400BL*	39008	120	4PST	
Replacement Trippers	Order #P69 for 7 pairs of ON/OFF trippers			
Replacement Motor	#101 (120V) & #201 (208-277V). For "L" models order #36 (120V) and #46 (208-277V).			

*UL Listed only.

SPECIFICATIONS

INPUT VOLTAGE: 120 or 208-277VAC, 60Hz, varies by model.

TIMING ACCURACY: Line frequency.

TERMINAL RANGE: #8 - #14AWG.

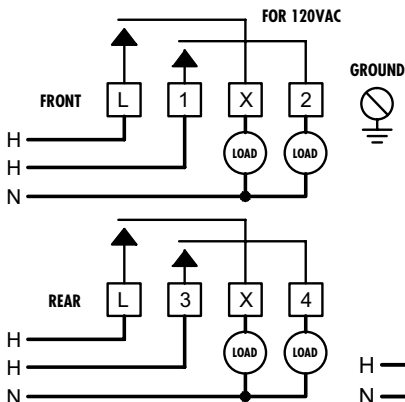
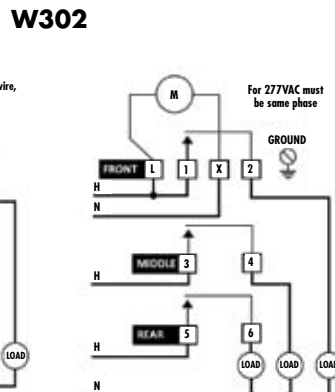
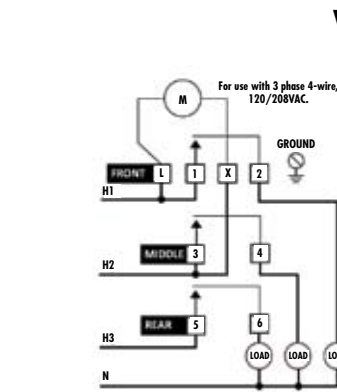
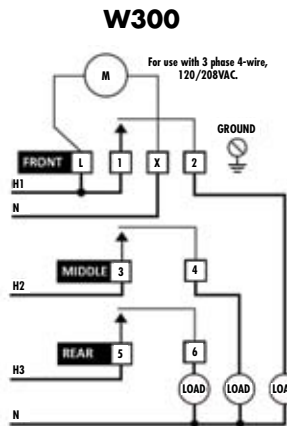
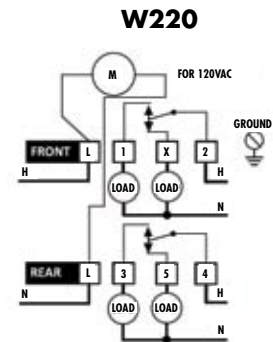
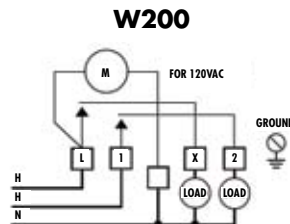
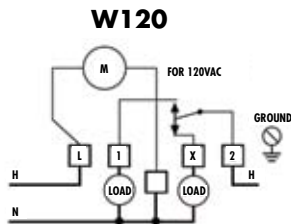
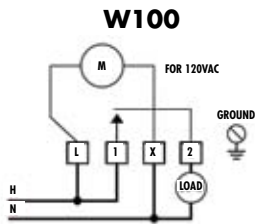
OPERATING TEMPERATURE: -40° to 165°F (-40° to +74°C).

POWER CONSUMPTION: 3 watts, 5 watts for "L" models maximum.

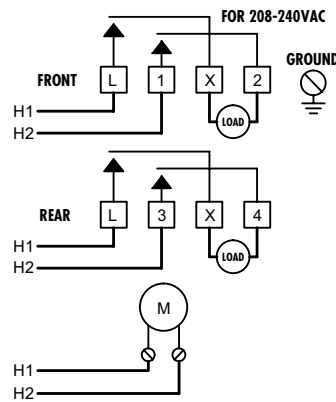
ENCLOSURE: Indoor NEMA 1 Metal with lockable hasp. (See pages 589-593 for dimensions).

TYPE	VOLTAGE (VAC)	CONTACT RATING
General Purpose	120 -277	40A
Resistive	120 -277	40A
Tungsten	120	40A
Ballast	120-277	20A
Pilot Duty	120 -277	1000VA
Motor	120 240	2HP 5HP

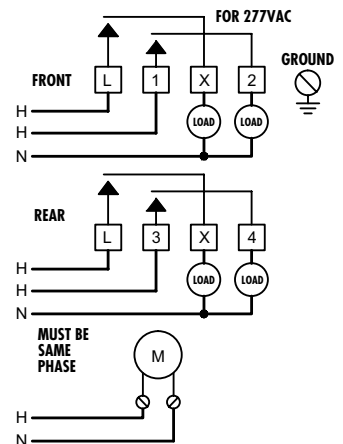
277VAC Single Phase



W400



W402



T900 SERIES

PHOTOELECTRIC & 7 DAY CONTROL COMBO
DIFFERENT SCHEDULES EACH DAY
RESERVE POWER STANDARD
2 & 3 CIRCUIT CONTROL CENTERS

APPLICATIONS

- Parking lot lighting
- HVAC
- Display lighting
- Security lighting
- Lighted signage
- Storefront lighting



Optional "E" cover



Model 2101
supplied with unit.

FEATURES

SCHEDULING:

CIRCUIT 1: ON automatically at dusk, OFF at individual preset times each day, including skipping days when desired. Unit can be set to turn ON before dawn for early morning lighting.

CIRCUIT 2: ON at dusk, OFF at dawn automatically, daily.

CIRCUIT 3: Individual daily ON and OFF settings at desired times, including skipping any desired day or days Minimum ON is setting 1 hour with a minimum OFF setting of 2 hours. Minimum 8 hours between 2 OFF settings. 7 day calendar dial will accommodate up to 2 pairs of ON-OFF trippers per day – 7 pairs are supplied.

SKIP-A-DAY: Omit operations on any day.

MANUAL BY-PASS SWITCHES: Single pole, 20 Amps – one per circuit. Factory pre-wired to terminal strip. ON/OFF/AUTO positions for each circuit is independent – will not disturb automatic settings.

RESERVE POWER: Standard feature on all models keep dial on time up to 24 hours during power outage.

OPTIONAL ENCLOSURES: Contact factory for available options and lead time.

CAT. NO.	UPC CODE	INPUT SUPPLY (VAC) 60Hz	OUTPUT CONTACTS	ENCLOSURE TYPE
T920L	41033	120	2 SPDT	Metal Indoor NEMA 1
T930L	41055	120	3 SPDT	Metal Indoor NEMA 1
Replacement Trippers		#P69 for 7 pairs of ON/OFF trippers.		
Replacement Motor		#36 (120V)		
Replacement Bypass Switch		#66061		

TYPE	VOLTAGE (VAC)	CONTACT RATING
General Purpose	120/277	20A
Motor	120 240	1HP 2HP

NOTE: All models are designed to control a contactor circuit and are not recommended for direct switching of most lighting loads.

SPECIFICATIONS

INPUT VOLTAGE: 120, 60 Hz

TIMING ACCURACY: Line frequency.

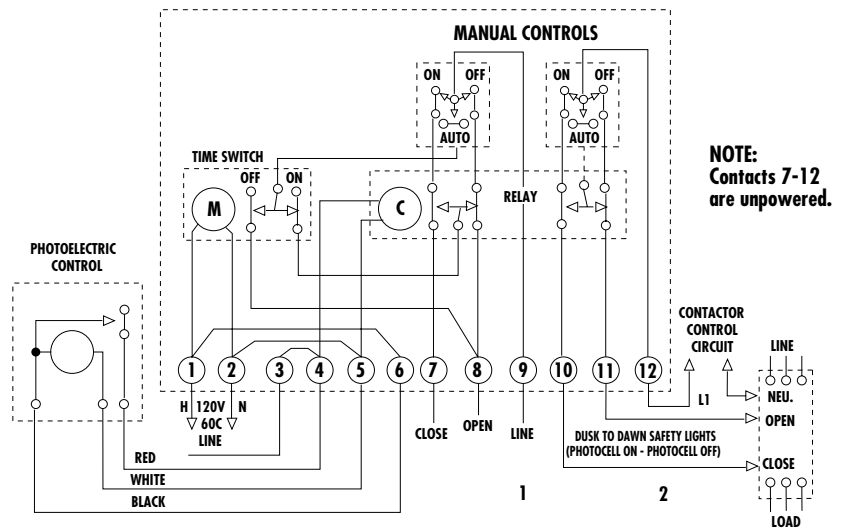
TERMINAL RANGE: #8 - #14AWG.

OPERATING TEMPERATURE:
-40° to 165°F (-40° to +74°C).

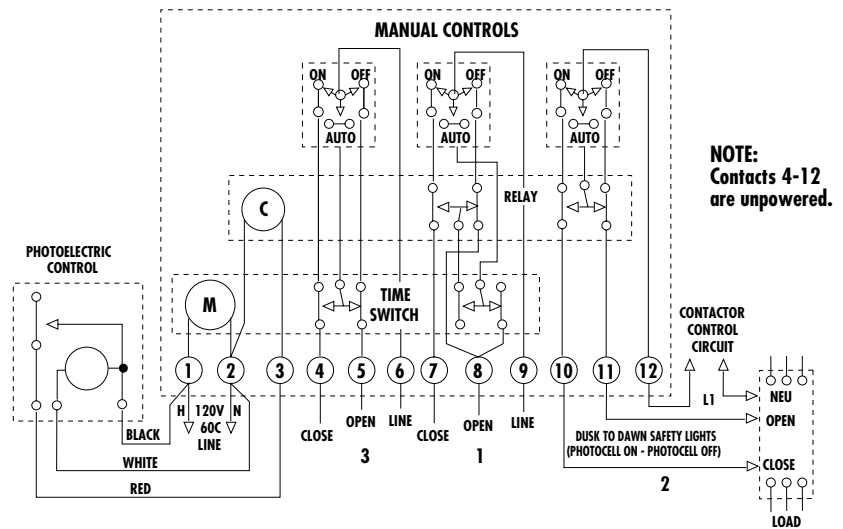
POWER CONSUMPTION:
5 watts maximum.

ENCLOSURE: Indoor NEMA 1 Metal with lockable hasp. (See pages 589-593 for dimensions).

T920L ONLY CIRCUITS 1 AND 2 ARE INCLUDED IN T920L



T930L ALL 3 CIRCUITS ARE INCLUDED IN T930L



NOTE 1: All models designed to control mechanically-held and magnetic contactors, when wired in accordance with manufacturers recommendations. Contacts are unpowered control circuits rated for 24-277V contactor coils. See notes on wiring schematics.

NOTE 2: For momentary Contact of contactor coils, use TORK Model SMC-3D, in our Digital Controls Catalog.

TW SERIES

DIFFERENT SCHEDULES EACH DAY
 MANUAL BYPASS SWITCHES
 RESERVE POWER STANDARD
 7 DAY TIME SWITCH

APPLICATIONS

- Heating
- Air conditioning
- Display lighting
- Ventilating systems
- Lighted signage
- Storefront lighting



Optional "E" cover

FEATURES

SCHEDULING: Minimum ON setting is 1 hour with a minimum OFF setting of 2 hours. Minimum 8 hours between 2 OFF settings. 7 day calendar dial accommodates up to 2 pairs of ON-OFF trippers per day – 7 pairs are supplied.

SKIP-A-DAY: Omit operations on any day.

MANUAL OVERRIDE: Until the next regularly scheduled ON or OFF, automatic operation then resumes.

MANUAL BY-PASS SWITCHES: Single pole, 20 Amps – one per circuit. Factory pre-wired to terminal strip. ON/OFF/AUTO positions for each circuit is independent – will not disturb automatic settings.

RESERVE POWER: Standard feature on all models keep dial on time up to 24 hours during power outage.

OPTIONAL ENCLOSURES: Contact factory for available options and lead time.

CAT. NO.	UPC CODE	INPUT SUPPLY (VAC) 60Hz	OUTPUT CONTACTS	ENCLOSURE TYPE
RESERVE POWER: (Contact factory for lead time)				
TW-220L	39013	120	DPDT	Metal Indoor NEMA 1
TW-300L	39015	120	3PST	Metal Indoor NEMA 1
Replacement Trippers	Order #P69 for 7 pairs of ON/OFF trippers.			
Replacement Motor	#36 (120V)			
Replacement Bypass Switch	#66061			

TYPE	VOLTAGE (VAC)	CONTACT RATING
General Purpose	120/277	20A
Motor	120 240	1HP 2HP

NOTE: All models are designed to control a contactor circuit and are not recommended for direct switching of most lighting loads.

SPECIFICATIONS

INPUT VOLTAGE:

120VAC, 60Hz

TIMING ACCURACY: Line frequency.

TERMINAL RANGE: #8 - #14AWG.

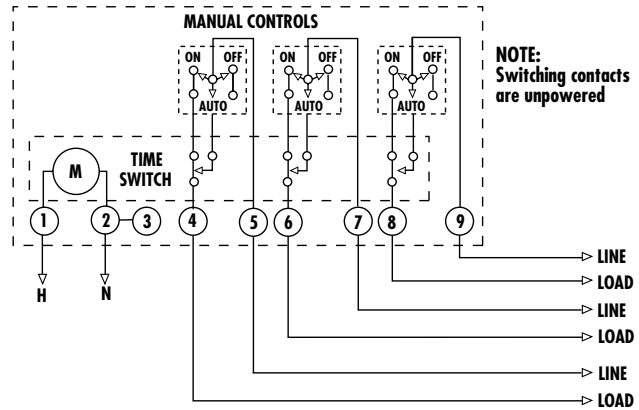
OPERATING TEMPERATURE:

-40° to 165°F (-40° to +74°C).

POWER CONSUMPTION:

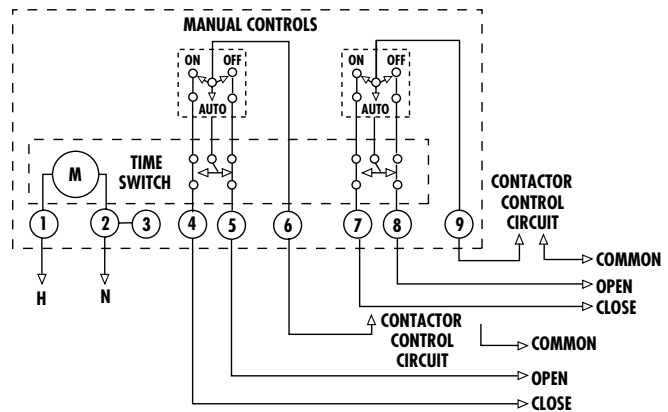
5 watts maximum.

ENCLOSURE: Indoor NEMA 1 Metal with lockable hasp (See pages 589-593 for dimensions).



TW300L

When single line source is used, jumper terminals 1-5-7-9 and connect all commons to terminals 2 and 3.



TW220L

Wiring shown is for mechanically-held contactors. Use CLOSE terminal only for magnetically-held contactors and to control direct loads not exceeding 2000 watts.

TZ SERIES SunSet

MANUAL BYPASS SWITCHES
RESERVE POWER STANDARD
ASTRONOMIC TIME SWITCH



APPLICATIONS

- Schools
- Industrial yards
- Shop windows
- Parking lots
- Highway signs
- Bridges



Optional "E" cover

FEATURES

SunSet ASTRONOMIC: Adjusts daily to changes in sunset times. Turn ON at sunset and OFF at sunrise daily. OFF time can be set from 8:30PM to 2:30AM. Can be individually offset +/- 20 or 40 minutes from both sunset and OFF times. Available from 18° - 45° northern latitudes.

SKIP-A-DAY: Omit operations on any day with a 7 spoke wheel marked with days of the week. 3 omitting screws included.

MANUAL OVERRIDE: Until the next regularly scheduled ON or OFF, automatic operation then resumes.

MANUAL BYPASS SWITCHES: Single pole, 20 Amps - one per circuit. Factory pre-wired to terminal strip. ON/OFF/AUTO positions for each circuit is independent, will not disturb automatic settings.

RESERVE POWER: Standard feature on all models keep dial on time up to 24 hours during power outage.

OPTIONAL ENCLOSURES: Contact factory for available options and lead time.

CAT. NO.	UPC CODE	INPUT SUPPLY (VAC) 60Hz	OUTPUT CONTACTS	ENCLOSURE TYPE
RESERVE POWER: (Contact factory for lead time)				
TZ220L*	**	120	DPDT	Metal Indoor NEMA 1
TZ300L*	**	120	3PST	Metal Indoor NEMA 1
Replacement Motor	For "L" models #36 (120V)			
Replacement Bypass Switch	#66061			

*Add degrees latitude to complete number (18, 30, 34, 38, 40, 42, or 45).

**Consult factory for UPC number.

TYPE	VOLTAGE (VAC)	CONTACT RATING
General Purpose	120/277	20A
Motor	120 240	1HP 2HP

NOTE: All models are designed to control a contactor circuit and are not recommended for direct switching of most lighting loads.

SPECIFICATIONS

INPUT VOLTAGE:

120VAC, 60Hz

TIMING ACCURACY: Line frequency.

TERMINAL RANGE: #8 - #14AWG.

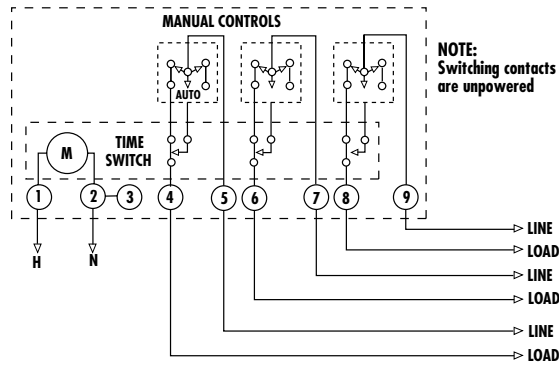
OPERATING TEMPERATURE:

-40° to 165°F (-40° to +74°C).

POWER CONSUMPTION:

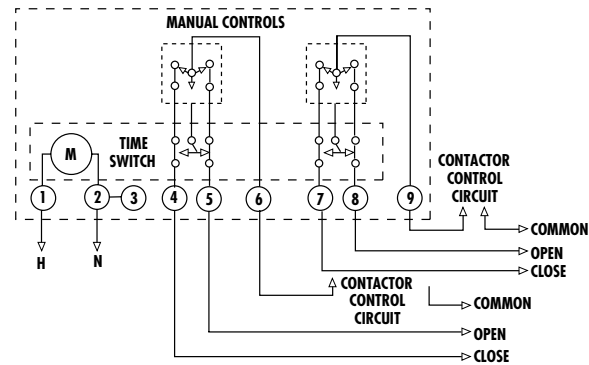
5 watts maximum.

ENCLOSURE: Indoor NEMA 1 Metal with lockable hasp (See pages 589-593 for dimensions).



TW300L

When single line source is used, jumper terminals 1-5-7-9 and connect all commons to terminals 2 and 3.



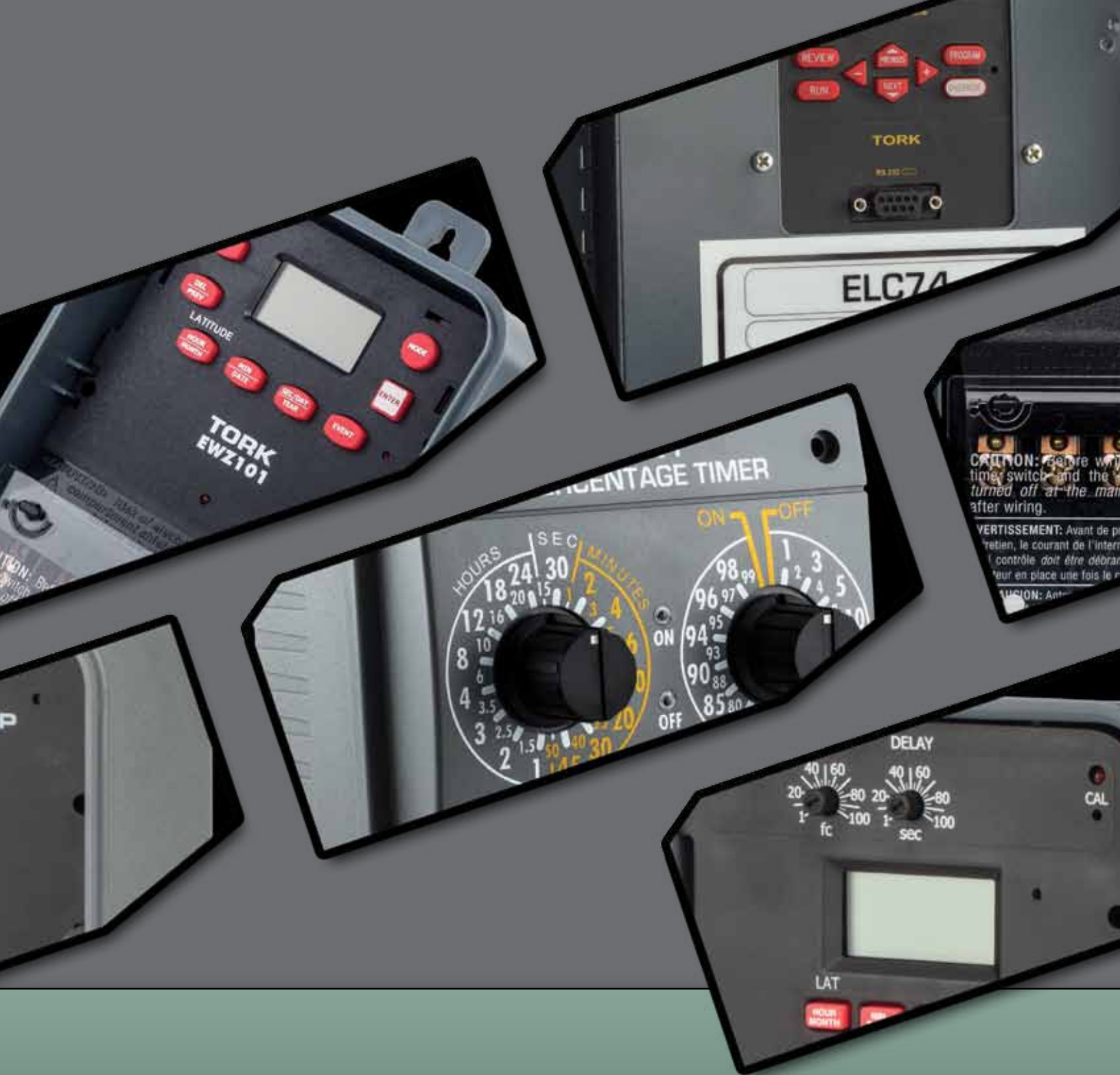
TW220L

Wiring shown is for mechanically-held contactors. Use CLOSE terminal only for magnetically-held contactors and to control direct loads not exceeding 2000 watts.

ASTRONOMIC LATITUDE ZONES







TORK® DIGITAL TIME SWITCHES

QUICK REFERENCE GUIDE

	DTU40 DTWH40	EH20C	SA300	E-PB	E	EW	EWZ	DG	DGM	DW	DWZ	DTS
Page No.	479	481	483	485	485	487	489	491	491	493	493	495
Number of Channels	1	1	1	1	1 or 2	1 or 2	1 or 2	1 or 2	1	2	1	1, 2 or 4
ON/OFF Set Points	7 pair	14	1 pair	20	20	20	20	56	56	99	99	99
365 Day/7 Day Scheduling	7 day	7 day	7 day	24 hour	24 hour	7 day	7 day	7/365 day	7/365 day	7/365 day	7/365 day	7/365 day
Automatic Daylight Savings Adjustment	Manual	Yes	Manual	Yes	Yes	Yes	Yes	Yes	Yes	Yes	Yes	Yes
Leap Year		Yes		Yes	Yes	Yes	Yes	Yes	Yes	Yes	Yes	Yes
Individual Holiday Schedules										24	24	24
Block Holiday		Yes						9	9			
Season Scheduling												4
 SunSet (Astronomic)			ZipSet				Yes				Yes	
Photosensor Input												
Remote Override Input												
Signal/Pulse Duration												Yes
Momentary for Contactors					Option	Option	Option		Yes			
Duty Cycle												
31 Day Cycle												
Manual Override	Yes	Yes	Yes	Yes	Yes	Yes	Yes	Yes	Yes	Yes	Yes	Yes
Clock Format	AM/PM	AM/PM	AM/PM	AM/PM	AM/PM	AM/PM	AM/PM	12/24	12/24	12/24	12/24	12/24
Power Outage Backup	Rechargeable Battery	4 day Super Capacitor	Battery	4 day Super Capacitor	4 day Super Capacitor	4 day Super Capacitor	4 day Super Capacitor	7 day Super Capacitor	7 day Super Capacitor	7 day Super Capacitor	7 day Super Capacitor	7 day Super Capacitor
Schedule Retention without power	Battery	Permanent	Battery	Permanent	Permanent	Permanent	Permanent	Permanent	Permanent	Permanent	Permanent	Permanent
Staggered Start					Yes	Yes	Yes	Yes	Yes	Yes		Yes
Memory Module												
Computer Programming Software												
Output Contacts: Amps Resistive or General Purpose	40A	40A	40A	30A	40A	40A	40A	20A	20A	30A	30A	30A
Contact Type: Dry Unpowered	Yes	Yes	No	Yes	Yes	Yes	Yes	Yes	Yes	Yes	Yes	Yes
Voltage Input AC	120/208-240/277	120-277	120 or 120/277	120	120-277	120-277	120-277	120-277	120-277	120/208-240/277	120/208-240/277	120/208-240/277
Other Voltage Inputs Available												

	LIGHTING CONTROLS							CYCLE - SIGNAL TIMER		DIN
	DZS	DZM	ELC74/78/712	DGU	DGUM	DGLC	DLC400	DG	DGS	
Page No.	497	499	505	503	503	503	507	511	511	517
Number of Channels	1, 2, or 4	2	4, 8, or 12	1	1	1 or 2	4	1 or 2	1	1 or 2
ON/OFF Set Points	99	99	128	56	56	56	99	56	56	8 pair 3 pair/ch
365 Day/7 Day Scheduling	7/365 day	7/365 day	7/365 day	7/365 day	7/365 day	7/365 day	7/365 day	24 Hour	7 Day	7 Day
Automatic Daylight Savings Adjustment	Yes	Yes	Yes	Yes	Yes	Yes	Yes	Yes	Yes	
Leap Year	Yes	Yes	Yes	Yes	Yes	Yes	Yes	Yes	Yes	
Individual Holiday Schedules	24	24	26				24			
Block Holiday			10	9	9	9				
Season Scheduling	4	4					4			
 SunSet (Astronomic)	Yes	Yes	Yes	Yes	Yes	Yes	Yes			
Photosensor Input			Yes	Yes	Yes	Yes	Yes			
Remote Override Input			Yes	Yes	Yes	Yes	Yes			
Signal/Pulse Duration	Yes		Yes					Yes	Yes	
Momentary for Contactors		Yes	Yes		Yes					
Duty Cycle			Yes					Yes	Yes	
31 Day Cycle								Yes		
Manual Override	Yes	Yes	Yes	Yes	Yes	Yes	Yes	Yes	Yes	Yes
Clock Format	12/24	12/24	12/24	12/24	12/24	12/24	12/24	12/24	12/24	AM/PM
Power Outage Backup	7 day Super Capacitor	7 day Super Capacitor	2 day Capacitor 1 year battery	7 day Super Capacitor	7 day Super Capacitor	7 day Super Capacitor	6 month battery	7 day Super Capacitor	7 day Super Capacitor	8 year battery
Schedule Retention without power	Permanent	Permanent	Battery	Permanent	Permanent	Permanent	Permanent	Permanent	Permanent	Battery
Staggered Start	Yes	Yes	Yes	Yes	Yes	Yes	Yes	Yes	Yes	
Memory Module	Yes	Yes					Yes			
Computer Programming Software	Yes	Yes					Yes			
Output Contacts: Amps Resistive or General Purpose	30A/20A	30A	20A	20A	20A	20A	30A	20A	20A	16A
Contact Type: Dry Unpowered	Yes	Yes	Yes	Yes	Yes	Yes	Yes	Yes	Yes	Yes
Voltage Input AC	120/208-240/277	120/208-240/277	24/120/208 240/277	120-277	120-277	120-277	120/208-240/277	120-277	120-277	120
Other Voltage Inputs Available	12VDC 24VAC		24VAC All Models					12VDC 24VAC	24VAC	

DT SERIES

AUTOMATIC VOLTAGE DETECTION 7 DAY TIME SWITCH AND WATER HEATER TIMER

**MORE
WIRING
SPACE!**

APPLICATIONS



DTU40

- Pumps, motors, fans
- Signs and lighting
- Water heaters
- Heating and air conditioning

DTWH40

- Water Heaters
- This timer turns OFF when rates are high and turns ON when no one is home.



DTU40

DTWH40



Avoid utility peak rates
Turn off when not needed

FEATURES

SCHEDULING: 7 ON & OFF pairs of set points for individual programs on each day of the week. Minimum setting is 1 minute.

DAYLIGHT SAVING: Manual button push for one hour adjustment.

MANUAL OVERRIDE: Until the next regularly scheduled ON or OFF, automatic operation then resumes.

EXTERNAL MANUAL OVERRIDE: DTWH40 only on clear door. Override without opening case.

RANDOM MODE: Varies ON and OFF times to create "lived-in" look when away.

CLOCK FORMAT: AM/PM.

POWER OUTAGE BACKUP: Battery retains time and schedule.

STANDARDS: Listed UL60370 (formerly UL917)

CAT. NO.	UPC CODE	TIMER SUPPLY (VAC) 50/60Hz	NO. OF CHANNELS	DRY CONTACTS (UNPOWERED)
DTU40	24004	120/208-240/277	1	DPDT
DTWH40	24005	120/240	1	DPDT

TYPE	VOLTAGE (VAC)	RATING	
		NO	NC
Resistive	120-277	40A	30A
Inductive	120-277	30A	15A
Ballast	120	30A	10A
	277	20A	10A
Tungsten	120	15A	
Motor	120	1HP/30FLA/90LRA	1/4HP/12FLA/30LRA
	240	2HP/20FLA/60LRA	1/2HP/12FLA/33LRA
Pilot duty	120	720VA	290VA
	240	720VA	260VA
Resistive	28VDC	20A	
Max above 104°F	120-277	30A	

SPECIFICATIONS

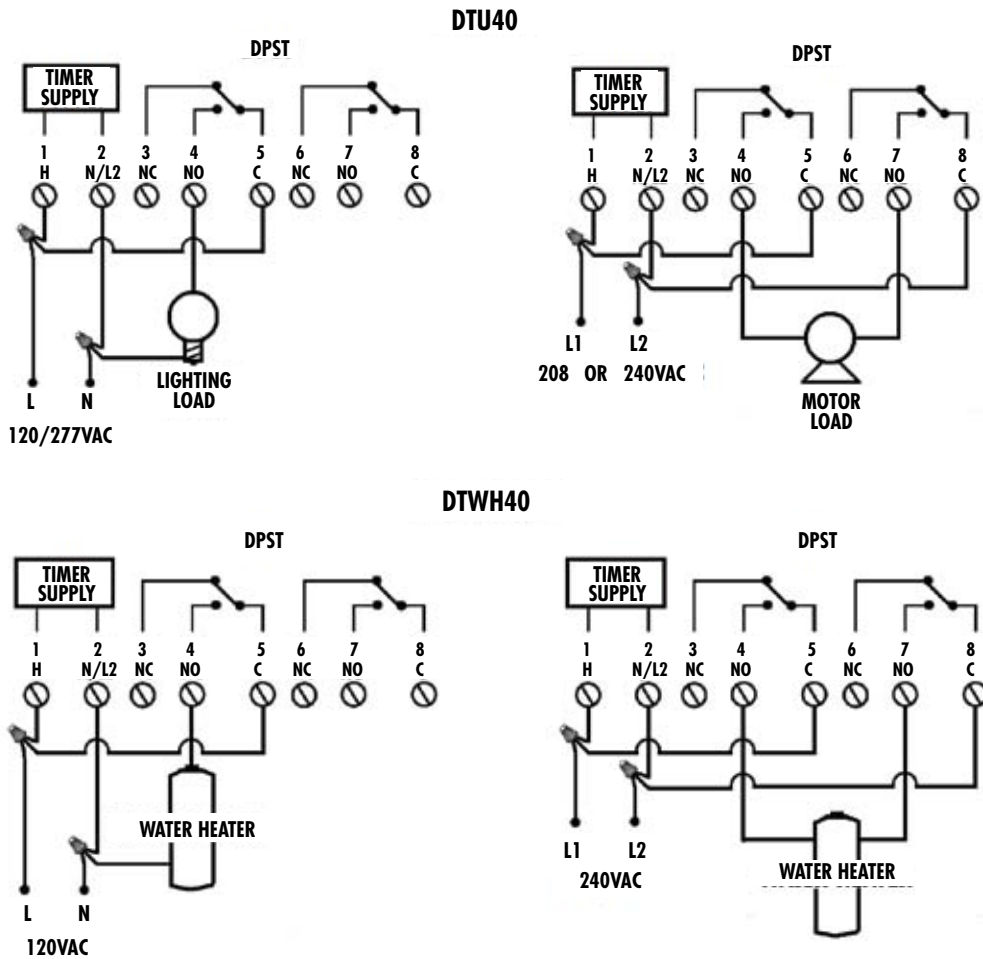
INPUT VOLTAGE: 120/208-240/277 VAC, 50/60 Hz (auto detection). DTWH40 is 120/240VAC 50/60Hz (auto detection).

TERMINAL RANGE: #8 - #18AWG.

OPERATING TEMPERATURE: -31 °F to 116 °F (-35 °C to +47 °C).

POWER CONSUMPTION: 6VA Max.

ENCLOSURE: DTU40 polycarbonate Indoor/ Outdoor NEMA 3R. DTWH40 polycarbonate indoor NEMA 1 enclosure with clear cover. Both with lockable hasp (see pages 589-593 for enclosure dimensions).



EH20C

AUTOMATIC VOLTAGE DETECTION WATER HEATER TIMER WITH SUMMER LOAD SHED



Avoid utility peak rates
Turn off when not needed

**PRE-PROGRAMMED
FOR EASY
SET-UP**

APPLICATIONS



- Electric water heater timers for residential or commercial.

FEATURES

PRE-PROGRAMMED: Unit preset for daily OFF time from 12:00am to 4:00am daily.

SUMMER LOAD SHED: Additional OFF time from 3:00pm to 7:00pm during Summer time (6/1 to 9/30) annually to avoid peak usage.

SCHEDULING: Additional 14 ON or OFF set points for individual programs for each day of the week. Minimum setting 1 minute.

HOLIDAY SCHEDULE: Extend to the load shed date throughout the year or preset extra load shed schedules while on vacation.

MANUAL OVERRIDE: Until the next regularly scheduled ON or OFF. Override during pre-programmed times limited to 60 minutes per day.

DAYLIGHT SAVING: Automatic adjustment (can be omitted).

LEAP YEAR: Automatic Compensation.

CLOCK FORMAT: AM/PM.

POWER OUTAGE BACKUP: Lithium battery. Non-rechargeable with 8 year expected life.

STANDARDS: Listed UL917

CAT. NO.	UPC CODE	INPUT SUPPLY (VAC) 50-60Hz	OUTPUT CONTACTS
EH20C	82314	120-277	DPST

TYPE	VOLTAGE (VAC)	RATING
General Purpose	120-277	40A
Inductive	120-277	40A
Pilot duty	120-277	720VA
Motor	120	1 HP
	208	1 1/2 HP
	240-277	2 HP

SPECIFICATIONS

TIMING ACCURACY: Line Frequency.

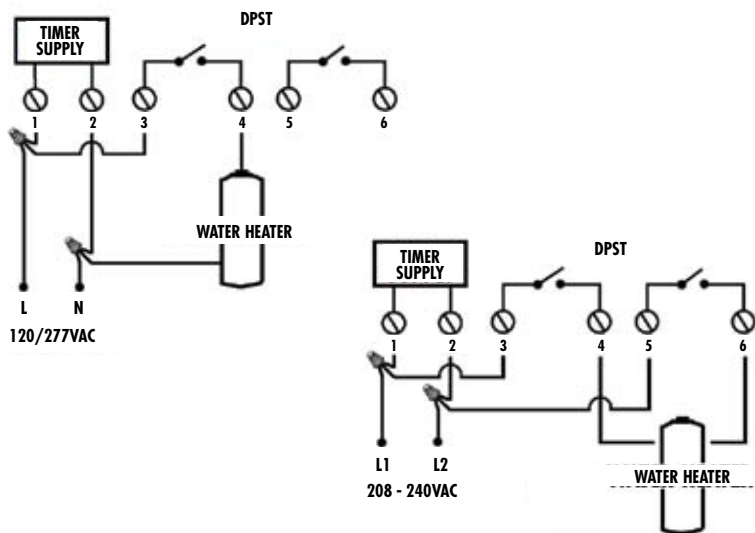
INPUT VOLTAGE: 120-277VAC, 50/60Hz
(automatic detection).

TERMINAL RANGE: #8 - #16AWG.

OPERATING TEMPERATURE:
-40 °F to +149 °F (-40 °C to +65 °C).

POWER CONSUMPTION: 6VA Max.

ENCLOSURE: Indoor/Outdoor NEMA 3R
Polycarbonate with locking hasp.
(see pages 589-593 for enclosure dimensions).



SA300 SERIES

Zip-Set™

DIGITAL TIME SWITCH



**AREA CODE
ENTRY
FOR FAST
SET-UP**

APPLICATIONS



- Outdoor lighting
- Electric motors
- Indoor lighting or signs

FEATURES

ZIP-SET: Fast and easy. Just enter area code and timer adjusts to your time with preset program of Sunset ON and time off program.

SCHEDULING: One On/Off set point pair is active at a time. Only one schedule may be active at a time: Schedule 1, Schedule 2, a combination of 1 & 2, or ZipSet™. Day combinations for 7-5-2 speed programming.

MANUAL DAYLIGHT SAVING:
Simple switch adjustment.

MANUAL OVERRIDE: Until the next regularly scheduled ON or OFF, automatic operation then resumes.

RANDOM FEATURE: Varies on time +/-90 minutes each day for lived in look.

CLOCK FORMAT: AM/PM.

POWER OUTAGE BACKUP:
Replaceable batteries

CAT. NO.	UPC CODE	INPUT SUPPLY (VAC) 60Hz	OUTPUT CONTACTS
SA300	16546	120	SPST
SA306	16549	120	DPST
SA400	16552	120/277	SPST

TYPE	VOLTAGE (VAC) 60Hz	RATING
Resistive	120*	40A
Inductive	120*	40A
Tungsten	120*	40A
Incandescent	120*	40A
Motor	120	1 1/2HP
*SA400	120/277	

SPECIFICATIONS

INPUT VOLTAGE: 120VAC, 60Hz
SA400 120/277VAC, 60Hz

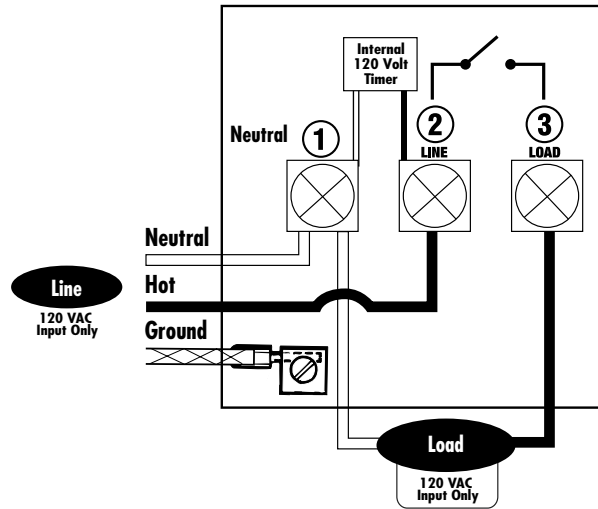
TERMINAL RANGE: #8 - #16AWG.

OPERATING TEMPERATURE:
32 °F to +100 °F (0 °C to +37 °C).

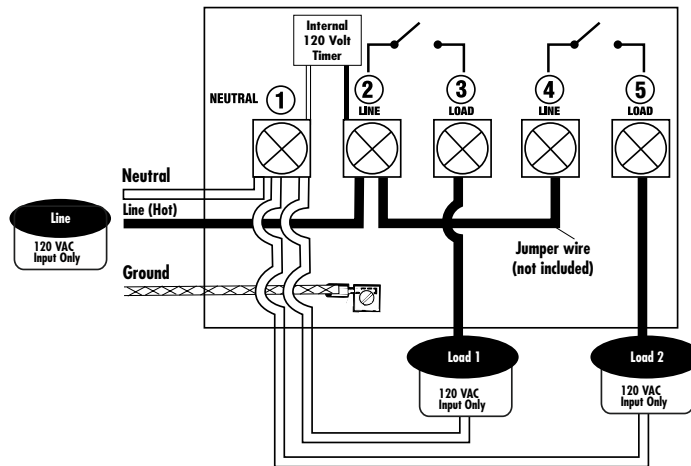
POWER CONSUMPTION: 5VA Max.

ENCLOSURE: Indoor Metal with locking hasp.
SA400 Outdoor Metal with locking hasp.
(see pages 589-593 for enclosure dimensions).

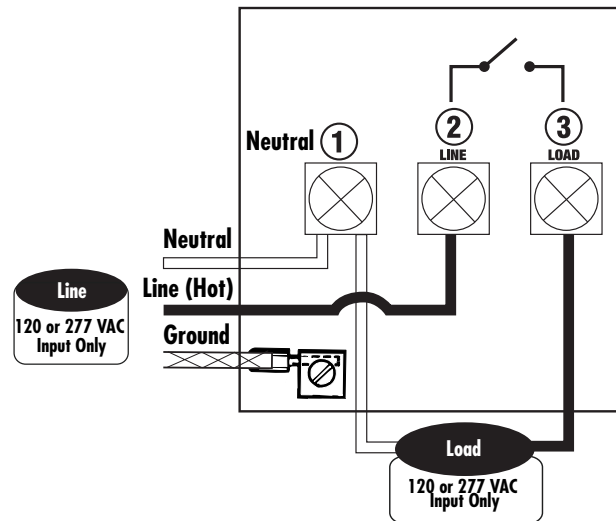
SA300



SA306



SA400



E & E-PB SERIES

MULTIPURPOSE CONTROLS

1 OR 2 CHANNEL

24 HOUR TIME SWITCH



**BACKUP
WITHOUT
BATTERY, ECO
FRIENDLY!**

APPLICATIONS



- Signs
- Air conditioning
- Lighting
- Sump pumps
- Ventilating fans

FEATURES

SCHEDULING: 20 ON/OFF set points repeat each day. Minimum setting 1 minute.

DAYLIGHT SAVING: Automatic adjustment (can be omitted).

LEAP YEAR: Automatic Compensation.

MANUAL OVERRIDE: Until the next regularly scheduled ON or OFF, automatic operation then resumes.

CLOCK FORMAT: AM/PM.

POWER OUTAGE BACKUP: Permanent schedule retention. Supercapacitor provides 4 days of real time backup.

MOMENTARY OPTION: For mechanically held contractors: Model E201B only. Configure with simple jumper change for single-channel momentary operation.

STANDARDS: Listed UL917

CAT. NO.	UPC CODE	INPUT SUPPLY (VAC) 50/60Hz	NO. OF CHANNELS	OUTPUT DRY CONTACTS
E101B	82401	120-277	1	SPST
E103B	82411	120-277	1	DPST
E120B	82406	120-277	1	SPDT
E201B	82466	120-277	2	SPST
E101PB	82461	120	1	SPST

TYPE	E101B, E103B, E201B		E120B		E101PB	
	VOLTAGE (VAC)	RATING NO	RATING NO	NC	VOLTAGE (VAC)	RATING NO
General Purpose	120-277	40A	30A	30A	120/240 277	30A 12A
Inductive	120-277	40A	30A	30A	120/240 277	30A 12A
Ballast	120	30A	30A	10A	120	20A
	208-277	20A	20A	10A	277	6A
Tungsten	120	15A	15A	2A	120	5A
Pilot Duty	120-277	720VA	720VA	720VA	120-240 277	470VA 690VA
	120	1HP	1HP	1HP	120	1HP
Motor	208	1 1/2HP	1 1/2HP	1 1/2HP	240	2HP
	240-277	2HP	2HP	2HP	-	-
Resistive	28VDC	30A	30A	30A	28VDC	20A

SPECIFICATIONS

TIMING ACCURACY: Line Frequency.

INPUT VOLTAGE:

E SERIES

120 - 277VAC, 50/60Hz (automatic detection).

E-PB

120VAC, 50/60Hz.

TERMINAL RANGE: #8 - #16AWG.

OPERATING TEMPERATURE:

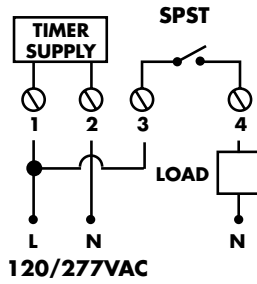
-40 °F to +149 °F (-40 °C to +65 °C).

POWER CONSUMPTION: 6VA Max.

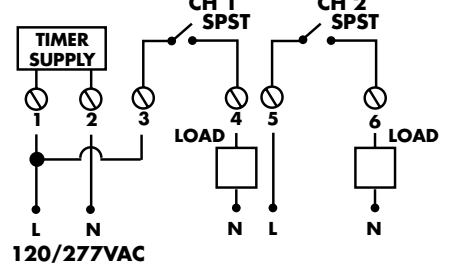
ENCLOSURE: Polycarbonate Indoor/Outdoor

NEMA 3R is standard with lockable hasp (see pages 589-593 for enclosure dimensions).

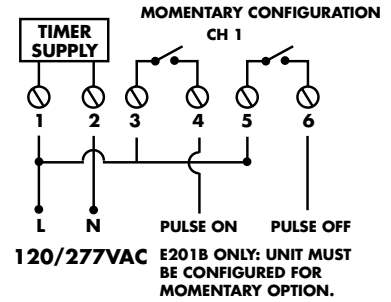
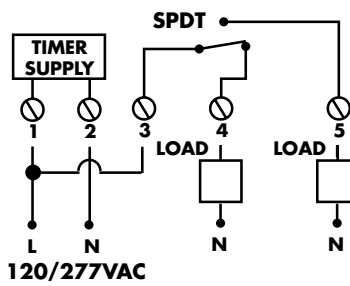
E101B



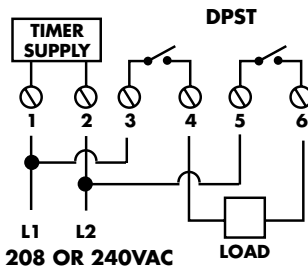
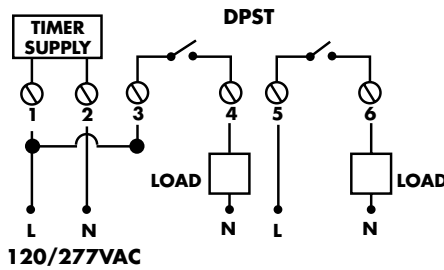
E201B



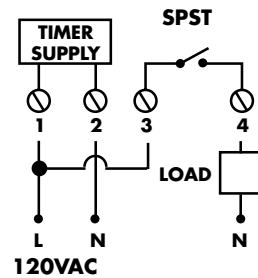
E120B



E103B



E101PB



EW SERIES

MULTIPURPOSE CONTROL

1 OR 2 CHANNEL

7 DAY TIME SWITCH



CALIFORNIA Title 24

ASHRAE 90.1

**AUTOMATIC DST
SAVES TIME
CHANGES
TWICE A YEAR!**

APPLICATIONS



- Outdoor signs
- Lighting security
- Heating and air conditioning

FEATURES

SCHEDULING: 20 ON & OFF set points for individual programs for each day of the week. Minimum setting is 1 minute.

DAYLIGHT SAVING:

Automatic (can be omitted).

LEAP YEAR: Automatic Compensation.

MANUAL OVERRIDE: Until the next regularly scheduled ON or OFF, automatic operation then resumes.

CLOCK FORMAT: AM/PM.

POWER OUTAGE BACKUP: Permanent schedule retention. Supercapacitor provides 4 days of real time backup.

MOMENTARY OPTION: For mechanically held contractors: Model EW201B only. Configure with simple jumper change for single-channel momentary operation.

STANDARDS: Listed UL917.

CAT. NO.	UPC CODE	INPUT SUPPLY (VAC) 50/60Hz	NO. OF CHANNELS	OUTPUT DRY CONTACTS
EW101B	82431	120-277	1	SPST
EW103B	82441	120-277	1	DPST
EW120B	82436	120-277	1	SPDT
EW201B	82467	120-277	2	SPST
EW101B-Y	82249	120-277	1	SPST
EW103B-C	82253	120-277	1	DPST
EW103B-Y	82255	120-277	1	DPST
EW120B-C	82437	120-277	1	SPDT
EW120B-Y	82261	120-277	1	SPDT
EW201B-Y	82299	120-277	2	SPST

TYPE	EW101B, EW103B, EW201B		EW120B		
	VOLTAGE (VAC)	RATING NO	VOLTAGE (VAC)	RATING NO	RATING NC
General Purpose	120-277	40A	120-277	30A	30A
Inductive	120-277	40A	120-277	30A	30A
	120	30A	120	30A	10A
Ballast	208-277	20A	208-277	20A	10A
	120	15A	120	15A	2A
Tungsten	120	15A	120	15A	2A
Pilot Duty	120-277	720VA	120-277	720VA	720VA
	120	1HP	120	1HP	1HP
Motor	208	1 1/2HP	208	1 1/2HP	1 1/2HP
	240-277	2HP	240-277	2HP	2HP
Resistive	28VDC	30A	28VDC	30A	30A

SPECIFICATIONS

TIMING ACCURACY: Line Frequency.

INPUT VOLTAGE:

120 - 277VAC, 50/60Hz (automatic detection).

TERMINAL RANGE: #8 - #16AWG.

OPERATING TEMPERATURE:

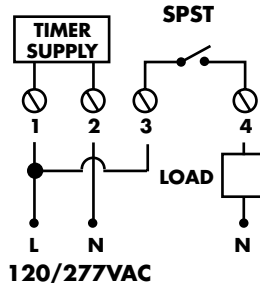
-40 °F to +149 °F (-40 °C to +65 °C).

POWER CONSUMPTION: 6VA Max.

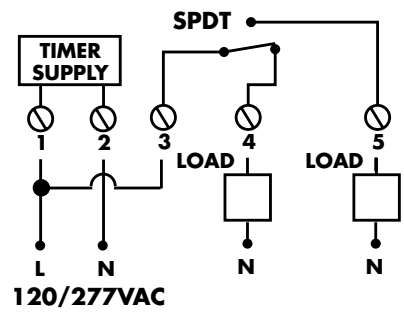
ENCLOSURE:

- Polycarbonate Indoor/Outdoor NEMA 3R.
- Suffix -C plastic clear cover Indoor/Outdoor NEMA 3R.
- Suffix -Y metal Indoor enclosure NEMA 1.
- All with lockable hasp (see pages 589-593 for enclosure dimensions).

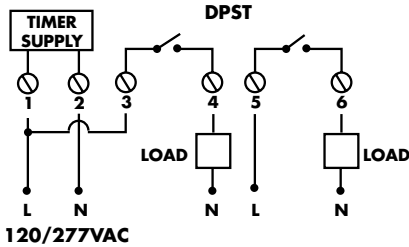
EW101B



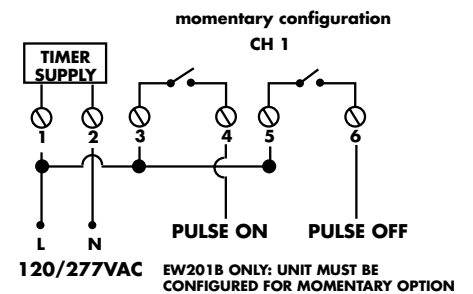
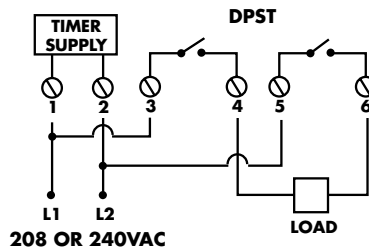
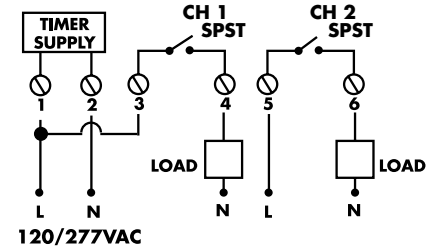
EW120B



EW103B



EW201B



EWZ SERIES

SunSet 1 OR 2 CHANNEL 7 DAY TIME SWITCH



CALIFORNIA Title 24

ASHRAE 90.1

**PREFERRED
FOR
OUTDOOR
LIGHTING!**

APPLICATIONS



- Outdoor signs
- Lighting security
- Heating and air conditioning

FEATURES

SCHEDULING: 20 ON & OFF set points for individual programs for each day of the week. Minimum setting is 1 minute.

SunSet ASTRONOMIC: Adjusts daily to changes in sunset times. Adjustable 10° - 60° Northern or Southern latitudes. Can be individually offset +/- 1-240 minutes from both sunset and sunrise times.

DAYLIGHT SAVING: Automatic (can be omitted).

LEAP YEAR: Automatic Compensation.

MANUAL OVERRIDE: Until the next regularly scheduled ON or OFF, automatic operation then resumes.

CLOCK FORMAT: AM/PM.

POWER OUTAGE BACKUP: Permanent schedule retention. Supercapacitor provides 4 days of real time backup.

MOMENTARY OPTION: For mechanically held contactors: Model EWZ201 only. Configure with simple jumper change for single-channel momentary operation.

STANDARDS: Listed UL917.

CAT. NO.	UPC CODE	INPUT SUPPLY (VAC) 50/60Hz	NO. OF CHANNELS	OUTPUT DRY CONTACTS
EWZ101	82470	120-277	1	SPST
EWZ103	82473	120-277	1	DPST
EWZ120	82471	120-277	1	SPDT
EWZ201	82472	120-277	2	SPST
EWZ101-MB	82263	120-277	1	SPST
EWZ103-MB	82269	120-277	1	DPST
EWZ120-MB	82275	120-277	1	SPDT
EWZ201-MB	82281	120-277	2	SPST

TYPE	EWZ101, EWZ103, EWZ201		EWZ120		
	VOLTAGE (VAC)	RATING NO	VOLTAGE (VAC)	RATING NO	RATING NC
General Purpose	120-277	40A	120-277	30A	30A
Inductive	120	30A	120	30A	10A
	208-277	20A	208-277	20A	10A
Tungsten	120	15A	120	15A	2A
Pilot Duty	120-277	720VA	120-277	720VA	720VA
	120	1HP	120	1HP	1HP
	208-277	2HP	240-277	2HP	2HP
Resistive	28VDC	30A	28VDC	30A	30A

SPECIFICATIONS

TIMING ACCURACY: Line Frequency.

INPUT VOLTAGE:

120 - 277VAC, 50/60Hz (automatic detection).

TERMINAL RANGE: #8 - #16AWG.

OPERATING TEMPERATURE:

-40 °F to +149 °F (-40 °C to +65 °C).

POWER CONSUMPTION: 6VA Max.

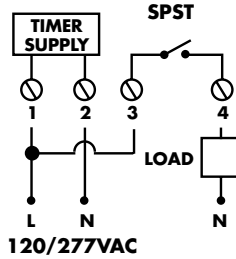
ENCLOSURE: Polycarbonate Indoor/Outdoor
NEMA 3R is standard with lockable hasp (see pages 589-593 for enclosure dimensions).

Suffix -MB without enclosure and includes mounting bracket.

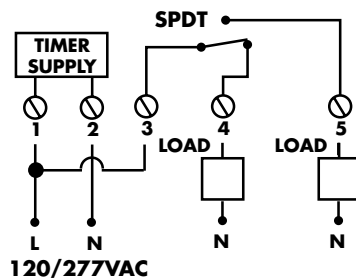
OPTIONS: Suffix -Q Quartz crystal timing.

Maintains accurate timing where 50 or 60 Hz is not consistent such as on-site generator produced power. Consult factory for minimum order size.

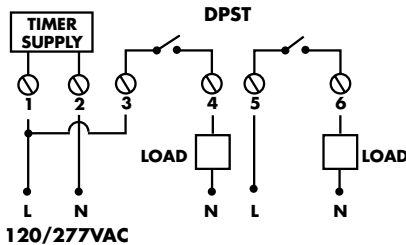
EWZ101



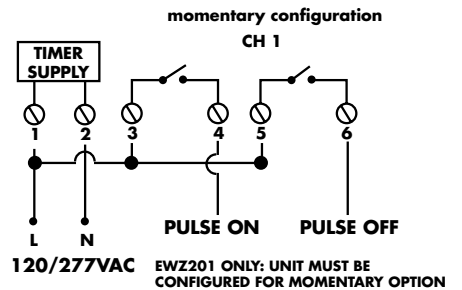
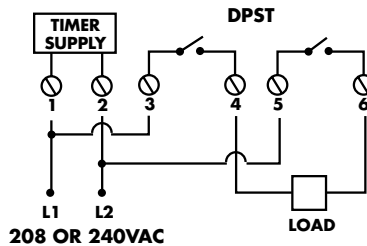
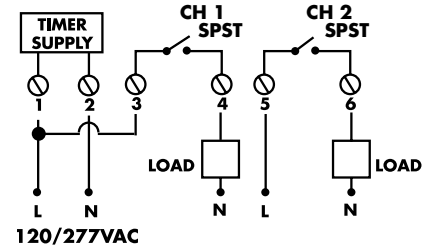
EWZ120



EWZ103



EWZ201



DG100 SERIES

MULTIPURPOSE CONTROLS

1 OR 2 CHANNEL

365/7 DAY

TIME SWITCH

**HOLIDAY
PROGRAMMING
FOR MORE
SAVINGS!**



CALIFORNIA Title 24

ASHRAE 90.1

APPLICATIONS

- Indoor/Outdoor lighting
- HVAC equipment
- School warning and other
- Traffic lights
- Water heaters in offices, churches and factories

FEATURES

SCHEDULING: 56 ON & OFF set points provide individual programs for each day of the week. Minimum setting is 1 minute.

MOMENTARY CONTACT: DGM100A has 2 second contact closures for ON & OFF control of mechanically held contactors or latching relays.

BLOCK HOLIDAY: 9 holiday blocks can be set for individual days or for duration of any number of days.

DAYLIGHT SAVING: Automatic adjustment (can be omitted).

LEAP YEAR: Automatic Compensation.

MANUAL OVERRIDE: Until the next regularly scheduled ON or OFF, automatic operation then resumes.

CLOCK FORMAT: AM/PM or 24 Hour format.

POWER OUTAGE BACKUP: Permanent schedule retention is provided. Supercapacitor provides 7 days of real time back up.

STANDARDS: Listed UL916.

CAT. NO.	UPC CODE	INPUT SUPPLY (VAC) 50/60Hz	NO. OF CHANNELS	OUTPUT CONTACTS
DG100A	82201	120-277	1	DPDT
DG200A	82209	120-277	2	SPDT
DGM100A	82210	120-277	1	SPDT Momentary
DG100A-Y	82221	120-277	1	DPDT
DGM100A-Y	82222	120-277	1	SPDT Momentary

TYPE	VOLTAGE (VAC)	RATING	
		NO	NC
Resistive	24-277	20A	10A
Ballast	120-277	20A	10A
Tungsten	120	15A	-
Pilot Duty	120	720VA	290VA
	240		360VA
Motor	120	1HP	1/4HP
	240	2HP	1/2HP
Resistive	28VDC	20A	10A

SPECIFICATIONS

TIMING ACCURACY: Line Frequency.

INPUT VOLTAGE:

120 - 277VAC, 50/60Hz (automatic detection).

TERMINAL RANGE: #12 - #18AWG.

OPERATING TEMPERATURE:

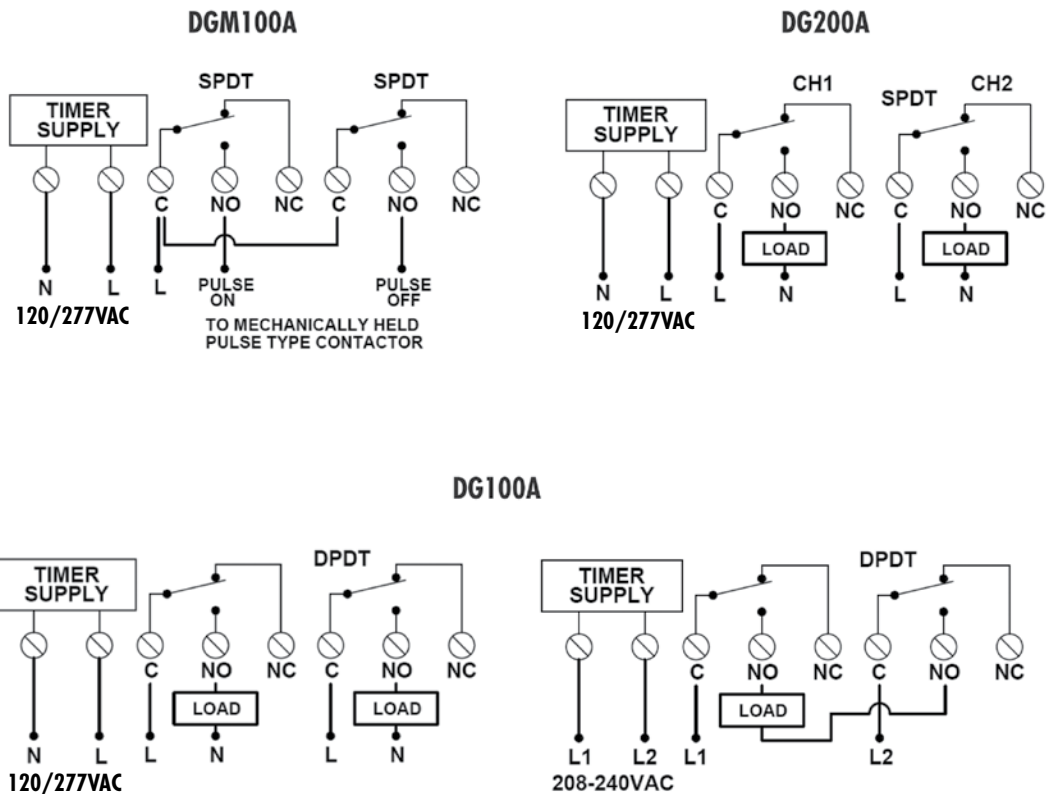
-31 °F to +131 °F (-35 °C to +55 °C).

POWER CONSUMPTION: 6VA Max.

ENCLOSURE: Noryl® Indoor/Outdoor NEMA 3R.

Suffix -Y metal indoor enclosure NEMA 1.

All with lockable hasp (see pages 589-593 for enclosure dimensions).



DW SERIES

MULTIPURPOSE CONTROLS

1 OR 2 CHANNEL

365 / 7 DAY ADVANCE

TIME SWITCHES



**SPECIFICATION
FAVORITE!**

APPLICATIONS



1 CHANNEL

- Outdoor lighting
- Security lighting
- Parking lot lighting
- Canopy lighting

2 CHANNEL

- HVAC equipment
- Interior lighting
- Electric motors
- Refrigerator defrost control: condensers, heaters.

FEATURES

SCHEDULING: 99 ON & OFF set points allow individual programs for each day of the week at a minimum 1 minute apart.

SunSet ASTRONOMIC (DWZ100B only): Adjusts daily to changes in sunset times. Adjustable 10°- 60° Northern or Southern latitudes. Can be individually offset +/- 1 to 240 minutes from both sunset and sunrise times.

HOLIDAYS: 1 to 24 individual dates.

DAYLIGHT SAVING: Automatic adjustment (can be omitted).

LEAP YEAR: Automatic Compensation scheduled ON or OFF, automatic operation then resumes.

MANUAL OVERRIDE: Until the next regularly scheduled ON or OFF, automatic operation then resumes.

CLOCK FORMAT: AM/PM or 24 Hour Format

POWER OUTAGE BACKUP: Permanent schedule retention. Supercapacitor provides 7 days of real time backup.

STANDARDS: Listed UL917.

CAT. NO.	UPC CODE	TIMER SUPPLY (VAC) 50/60Hz	NO. OF CHANNELS	DRY CONTACTS (UNPOWERED)
DWZ100B	82189	120/208-240/277	1	SPDT
DW200B	82190	120/208-240/277	2	SPDT

TYPE	VOLTAGE (VAC)	RATING	
		NO	NC
General Purpose	24-277	30A	30A
Ballast	120	30A	10A
	277	20A	10A
Tungsten	120-277	15A	2A
Pilot Duty	120-277	720VA	720VA
Motor Load	120	1HP	1HP
	208-277	2HP	2HP
Resistive	28VDC	30A	30A

SPECIFICATIONS

TIMING ACCURACY: Line Frequency.

INPUT VOLTAGE:

120/208-240-277VAC, 50/60Hz.

TERMINAL RANGE:

#14 - #16AWG for line input.

#12 - #16AWG load outputs.

OPERATING TEMPERATURE:

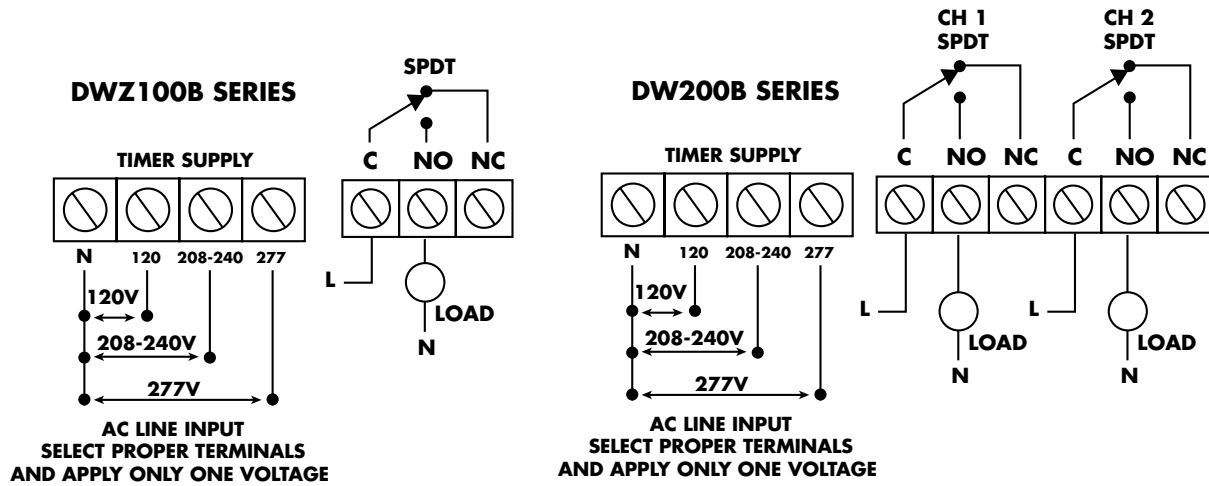
-40 °F to +158 °F (-40 °C to 70 °C).

POWER CONSUMPTION: 5VA Max.

ENCLOSURE: Noryl® Indoor/Outdoor NEMA 3R.

Suffix -0 metal Indoor/Outdoor NEMA 3.

All with lockable hasp (see pages 589-593 for enclosure dimensions).



DTS SERIES

MULTIPURPOSE CONTROLS

1, 2 OR 4 CHANNEL

365 / 7 DAY ADVANCE

TIME SWITCH

**MAINTAINED
AND
SIGNAL
TIMING!**



CALIFORNIA Title 24

ASHRAE 90.1

APPLICATIONS

- Indoor and outdoor lighting
- Heating and air conditioning
- Security systems
- Horns and bells
- Low voltage lighting
- Misting and spraying
- Roof cooling
- Clock correction systems
- Process functions

FEATURES

SCHEDULING: 99 ON/OFF set points allow individual programs for each day of the week at a minimum 1 minute apart.

SEASONS: 1 to 4 with different daily schedules which can wrap around into the new year.

HOLIDAYS: 1 to 24 individual dates.

SIGNAL/PULSE DURATION: 2 different settings per channel: each 1-99 seconds.

DAYLIGHT SAVING: Automatic adjustment (can be omitted).

LEAP YEAR: Automatic Compensation.

MANUAL OVERRIDE: Until the next regularly scheduled ON or OFF, automatic operation then resumes. In signal mode, activates pulse.

CLOCK FORMAT: AM/PM or 24 Hour Format.

POWER OUTAGE BACKUP: Permanent schedule retention. Supercapacitor provides 7 days of real time back up.

STANDARDS: Listed UL917

CAT. NO.	UPC CODE	TIMER SUPPLY (VAC) 50/60Hz	NO. OF CHANNELS	DRY CONTACTS (UNPOWERED)
DTS100B	82185	120/208-240/277	1	DPDT
DTS200B	82186	120/208-240/277	2	SPDT
DTS400B	82187	120/208-240/277	4	SPDT

TYPE	DTS100B, DTS200B		DTS400B	
	VOLTAGE (VAC)	RATING NO NC	VOLTAGE (VAC)	RATING NO NC
General Purpose	24-277	30A 30A	24-277	20A 20A
Ballast	120	30A 10A	120-277	13A -
	277	20A 10A		-
Tungsten	120-277	15A 2A	120	8A
Pilot Duty	120-277	720VA 720VA	120-277	720VA 360VA
Motor Load	120	1HP 1HP	120/240	1/2HP 1/2HP
	208-277	2HP 2HP		-
Resistive	28VDC	30A 30A	-	-

SPECIFICATIONS

TIMING ACCURACY: Line Frequency.

INPUT VOLTAGE: 120/208-277VAC, 50/60Hz.

TERMINAL RANGE:

#14 - #16AWG for line input.

#12 - #16AWG load outputs.

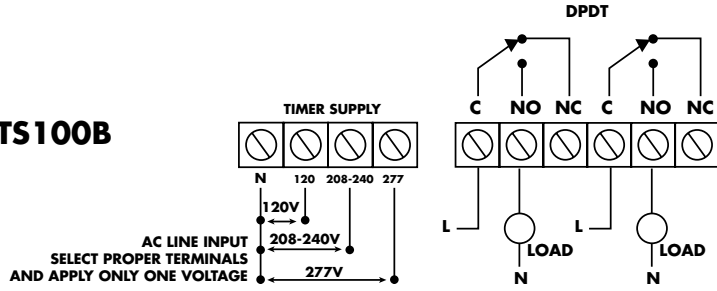
OPERATING TEMPERATURE:

-40 °F to +149 °F (-40 °C to +65 °C).

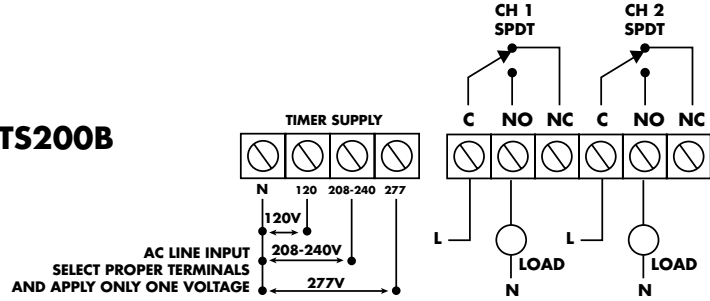
POWER CONSUMPTION: 6VA Max.

ENCLOSURE: Noryl® Indoor/Outdoor NEMA 3R with lockable hasp (see pages 589-593 for enclosure dimensions).

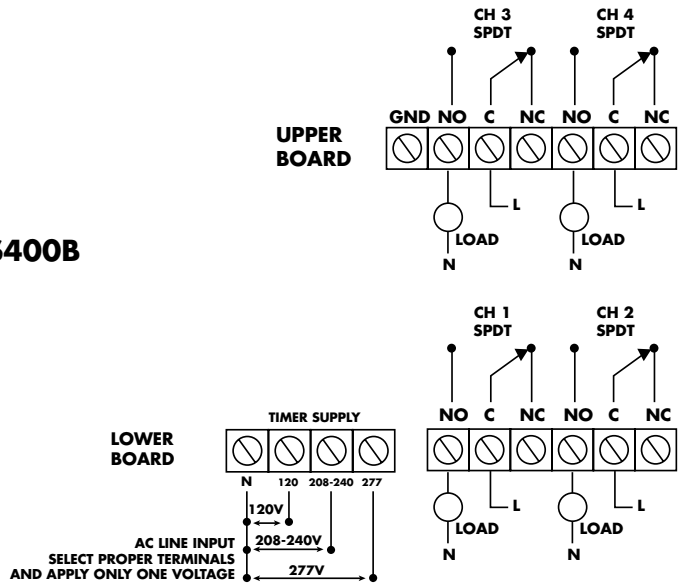
DTS100B



DTS200B



DTS400B



DZS SERIES

MULTIPURPOSE CONTROLS

1, 2 OR 4 CHANNEL

365 / 7 DAY ADVANCED

TIME SWITCH



**REMOVABLE
MEMORY
MODULE FOR
COMPUTER
PROGRAMMING!**

APPLICATIONS



CALIFORNIA Title 24

ASHRAE 90.1

- HVAC equipment
- Horns and bells
- Interior lighting
- Electric motors
- Outdoor lighting and signs



Memory Module
Programmer optional

FEATURES

SCHEDULING: 99 ON & OFF set points allow individual programs for each day of the week at a minimum 1 minute apart.

SunSet ASTRONOMIC: Adjusts daily to changes in sunset times. Adjustable 10° - 60° Northern or Southern latitudes can be individually offset +/- 1 to 240 minutes from both sunset and sunrise times.

SEASONS: 1 to 4 with different daily schedules which can wrap around into the new year.

HOLIDAYS: 1 to 24 individual dates.

SIGNAL/PULSE DURATION: 2 different settings per channel: 1-99 seconds.

DAYLIGHT SAVING: Automatic adjustment (can be omitted).

LEAP YEAR: Automatic Compensation.

MANUAL OVERRIDE: Until the next regularly scheduled ON or OFF, automatic operation then resumes. In signal mode, activates pulse.

CLOCK FORMAT: AM/PM or 24 Hour Format.

POWER OUTAGE BACKUP: Permanent schedule retention with memory module. Supercapacitor provides 7 days of real time backup.

MEMORY MODULE: Removable MM can be programmed at any one location and inserted into another DZS series unit.

COPY FEATURE: Unit can be configured to copy program schedule to multiple memory modules.

OPTION: Memory Module Programmer with software for computer connection programming. Also allows stand alone battery operation for portable copy feature.

STANDARDS: Listed UL917.

CAT NO.	UPC CODE	TIMER SUPPLY (VAC) 50/60Hz	NO. OF CHANNELS	DRY CONTACTS (UNPOWERED)
DZS100BP	82182	120/208-240/277	1	DPDT
DZS200BP	82183	120/208-240/277	2	SPDT
DZS400BP	82184	120/208-240/277	4	SPDT
DZS100BP-0	82215	120/208-240/277	1	DPDT
DZS200BP-0	82227	120/208-240/277	2	SPDT
DZS200BP-12	82228	12VDC	2	SPDT
DZS200BP-24	82229	24VAC	2	SPDT
DZS400BP-0	82230	120/208-240/277	4	SPDT

USB-MMP 82196 Memory Module Programmer Includes software

TYPE	DZS100BP, DZS200BP			DZS400BP		
	VOLTAGE (VAC)	RATING NO	RATING NC	VOLTAGE (VAC)	RATING NO	RATING NC
General Purpose	24-277	30A	30A	24-277	20A	20A
Ballast	120	30A	10A	120-277	13A	-
	277	20A	10A			-
Tungsten	120-277	15A	2A	120	8A	-
Motor Load	120	1HP	1HP	120/240	1/2HP	1/2 HP
	208-277	2HP	2HP			
Pilot Duty	120-277	720VA	720VA	120-277	720VA	360VA
Resistive	28VDC	30A	30A	-	-	-

SPECIFICATIONS

TIMING ACCURACY: Line frequency.

INPUT VOLTAGE:

120/208-240/277VAC, 50/60Hz.

TERMINAL RANGE:

#14-#16AWG for line input.

#12-#16AWG load outputs.

OPERATING TEMPERATURE:

-40 °F to +158 °F (-40 °C to 70 °C).

POWER CONSUMPTION:

5VA Max: DZS100/200BP.

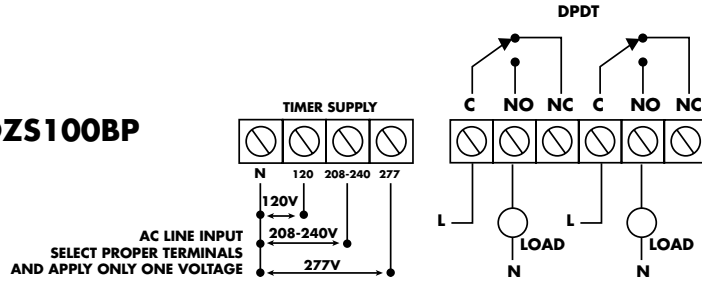
6VA Max: DZS400BP.

ENCLOSURE: Noryl® Indoor/Outdoor NEMA 3R.

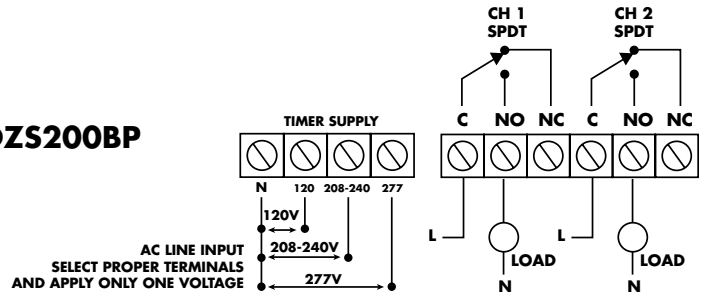
Suffix -0 metal Indoor/Outdoor NEMA 3.

All with lockable hasp (see pages 589-593 for enclosure dimensions).

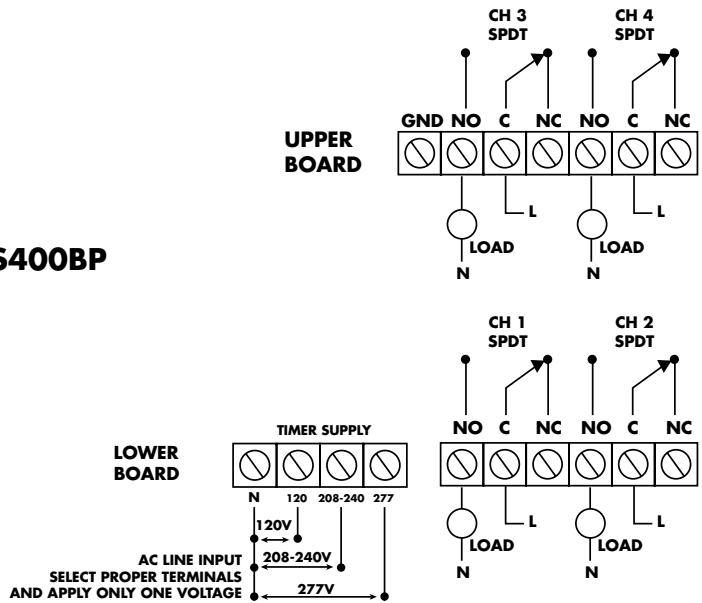
DZS100BP



DZS200BP



DZS400BP



DZM SERIES

MOMENTARY OUTPUT

365 / 7 DAY ADVANCED LIGHTING CONTROL TIME SWITCH



GREAT FOR LATCHING CONTACTORS!

CALIFORNIA Title 24

ASHRAE 90.1



APPLICATIONS

- Low voltage latching relays
- Direct wire to mechanically held contactors



Memory Module Programmer optional

FEATURES

SCHEDULING: 99 ON & OFF set points allow individual programs for each day of the week at a minimum 1 minute apart.

SunSet ASTRONOMIC: Adjusts daily to changes in sunset times. Adjustable 10° - 60° Northern or Southern latitudes can be individually offset +/- 1 to 240 minutes from both sunset and sunrise times.

SEASONS: 1 to 4 with different daily schedules which can wrap around into the new year.

HOLIDAYS: 1 to 24 individual dates.

DAYLIGHT SAVING: Automatic adjustment (can be omitted).

LEAP YEAR: Automatic Compensation.

MANUAL OVERRIDE: Until the next regularly scheduled ON or OFF, automatic operation then resumes.

CLOCK FORMAT: AM/PM or 24 Hour Format.

POWER OUTAGE BACKUP: Permanent scheduled retention with memory module. Supercapacitor provides 7 days of real time backup.

MEMORY MODULE: Removable MM can be programmed at any one location and inserted into another DZM series unit.

COPY FEATURE: Unit can be configured to copy program schedule to multiple memory modules.

OPTION: Memory Module Programmer with software for computer connection programming. Also allows stand alone battery operation for portable copy feature.

STANDARDS: Listed UL917.

CAT. NO.	UPC CODE	TIMER SUPPLY (VAC) 50/60Hz	NO. OF CHANNELS	DRY CONTACTS (UNPOWERED)
DZM200BP	82188	120/208-240/277	2	SPDT Momentary
USB-MMP	82196		Memory Module Programmer	Includes software

TYPE	VOLTAGE (VAC)	RATING
General Purpose	120-277	20A
Pilot Duty	120-277	720VA

TORK DIGITAL TIME SWITCHES

SPECIFICATIONS

TIMING ACCURACY: Line frequency.

INPUT VOLTAGE:

120/208-240/277VAC, 50/60Hz.

TERMINAL RANGE:

#14 - #16AWG for line input.

#12 - #16AWG load outputs.

OPERATING TEMPERATURE:

-40 °F to 158 °F (-40 °C to +70 °C).

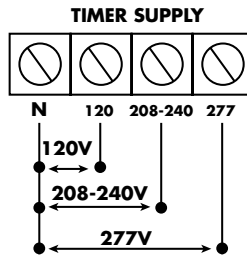
POWER CONSUMPTION: 4VA Max.

ENCLOSURE: Noryl® Indoor/Outdoor NEMA 3R.

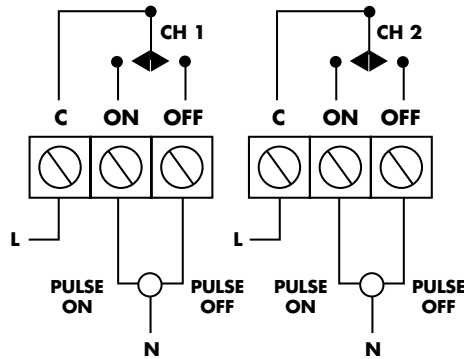
Suffix -0 metal Indoor/Outdoor NEMA 3.

All with lockable hasp (see pages 589-593 for enclosure dimensions).

AC LINE INPUT SELECT PROPER TERMINALS AND APPLY ONLY ONE VOLTAGE.



MECHANICALLY HELD CONTACTORS OR LATCHING RELAYS.



LC200 SERIES

LIGHT LEVEL / TIME OF DAY OPTION
2 ZONES LIGHTING CONTROL

STAGE
LIGHTING
TURN ON
LEVEL

APPLICATIONS



- 24 hour convenience stores
- Open wall parking structures
- Large canopies
- Building perimeters
- Atriums
- Use to control two different outdoor lighting circuits utilizing one photocell. Sign lighting can turn ON at one ambient light level while parking lot lighting turns ON at a different light level.



ASHRAE 90.1

EPC1 sensor
supplied with unit.

FEATURES

PHOTOSENSOR INPUT: EPC1 included.

DUAL OUTPUTS: with independent turn-ON adjustment for Stage1 and Stage 2.

LIGHT LEVEL ACTIVATION: Turn ON is user settable from 2 to 100 footcandle; Independent light level adjustment for each zone. Turn OFF is a maximum of 2 times turn ON level. Built-in delay OFF of 30 seconds to avoid reaction to lightning or headlights.

SWITCHED INPUT: Turns off loads. Can be used for photocell ON and time switch OFF operation.

STANDARDS: Listed UL916.

CAT. NO.	UPC CODE	INPUT SUPPLY (VAC) 50/60Hz	NO. OF ZONES	OUTPUT CONTACTS
LC200	82111	120/240/277	2	SPDT

TYPE	VOLTAGE (VAC)	RATING	
		NO	NC
Resistive	120/240	20A	10A
	277	12A	
Ballast	120	20A	10A
	240/277	6A	3A
Tungsten	120/240/277	5A	3A
Pilot Duty	120/240	470VA	275VA
	277	690VA	

SPECIFICATIONS

INPUT VOLTAGE:
120/240/277VAC, 50/60Hz.

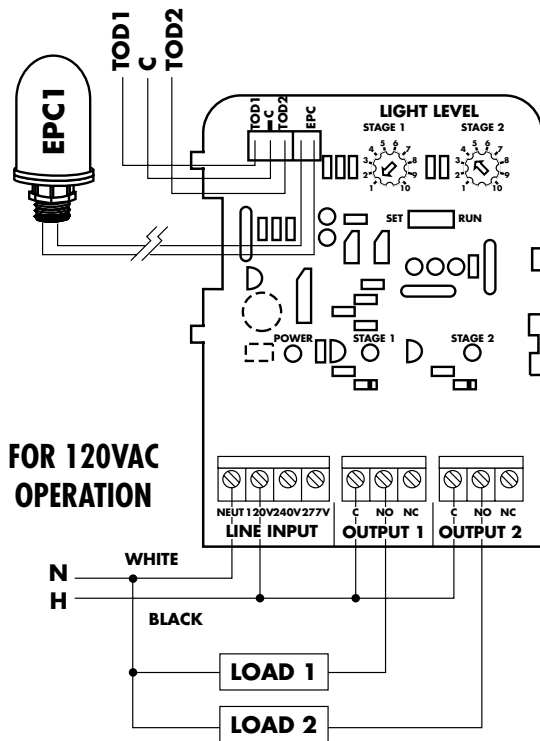
TERMINAL RANGE: Relay #12AWG; input power terminals #14 - #22AWG; TOD/sensor terminals accept #18 - #22AWG.

OPERATING TEMPERATURE:
-40 °F to +140 °F (-40 °C to + 60 °C).

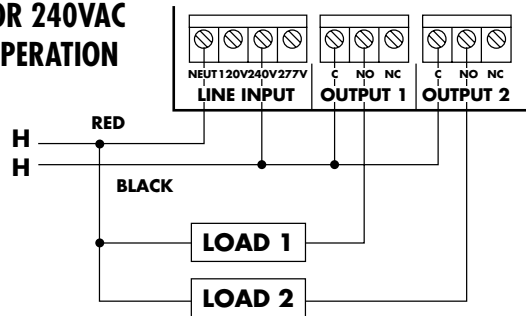
POWER CONSUMPTION: 5VA Maximum.

ENCLOSURE: LC200 includes metal Indoor NEMA 1 with lockable hasp (see pages 589-593 for enclosure dimensions).

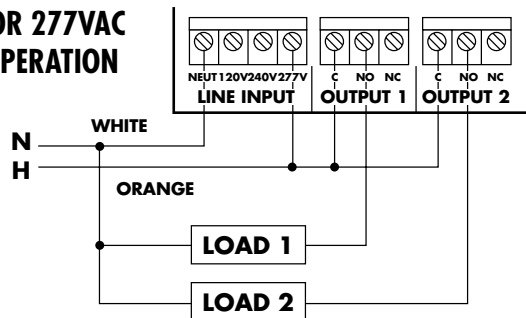
OTHER MOUNTINGS:
LC200M mechanism only.



FOR 240VAC OPERATION



FOR 277VAC OPERATION



DGU & DGLC SERIES

LIGHTING CONTROL WITH PHOTO
OR OVERRIDE INPUT
7 DAY LIGHTING
CONTROL TIME SWITCH



**SMALL
BUSINESS
ENERGY CODE
PANEL**

APPLICATIONS



CALIFORNIA Title 24
ASHRAE 90.1

- INTERIOR LIGHTING**
 - Open office zoning
 - Hallways
 - Meeting and sales areas
 - Stock rooms and warehouses
- EXTERIOR LIGHTING**
 - Signage and store windows
 - Security
 - Parking lots



CAT. NO.	UPC CODE	INPUT SUPPLY (VAC) 50/60 Hz	NO. OF CHANNELS	OUTPUT CONTACTS
DGU100A-Y	82211	120-277	1	DPDT
DGUM100A	82212	120-277	1	SPDT Momentary
DGUM100A-Y	82224	120-277	1	SPDT Momentary
DGLC100A-NC	82223	120-277	1	DPDT
DGLC200A-NC	82213	120-277	2	SPDT
EPC-A	82112	Accessory Photo Sensor	-	-
SS410	14033	24VAC/24VDC	-	SPDT
TRP-24B	98225	120/277	Transformer Power Pack	SPST

FEATURES

SCHEDULING: 56 ON & OFF set points provide individual programs for each day of the week. Minimum setting is 1 minute.

SunSet ASTRONOMIC: Adjusts daily to changes in sunset times. Adjustable 10° - 60° Northern or Southern latitudes. Can be individually offset +/- 1-240 minutes from both sunset and sunrise times.

PHOTOSENSOR INPUT: Unique push button set-up assures accurate operation with automatic calibration that adjusts for wire size and distance. EPC-A photo sensor is included with the DGLC-A and may be ordered as an option for use with model DGU100A & DGUM100A.

LIGHT LEVEL ACTIVATION: Turn ON is user settable from 1 to 100 footcandle; Turn OFF is a maximum of 2 times turn ON level. Each channel has an independent setting. Includes a user settable delay before ON and OFF between 1 – 90 seconds.

REMOTE OVERRIDE ON: Each channel has independent input for a maintained dry-contact closure. May use TORK model SS410 and TRP-24B for timed override. May use with occupancy sensor with dry contacts as override.

MANUAL OVERRIDE: Until the next regularly scheduled ON or OFF, automatic operation then resumes.

MOMENTARY CONTACT - DGUM100A: 2 second contact closure ON & OFF to control mechanically held contactors or latching relays.

BLOCK HOLIDAY: 9 holiday blocks can be set for individual days or for duration of any number of days.

DAYLIGHT SAVING: Automatic adjustment (can be omitted).

LEAP YEAR: Automatic Compensation.

CLOCK FORMAT: AM/PM or 24 Hour format.

POWER OUTAGE BACKUP: Permanent schedule retention. Supercapacitor provides 7 days of real time backup.

STANDARDS: Listed UL916.

TORK DIGITAL TIME SWITCHES

SPECIFICATIONS

TIMING ACCURACY: Line frequency.

INPUT VOLTAGE: 120-277VAC, 50/60Hz (auto detection).

TERMINAL RANGE:

#12 - #18AWG for line/load.

#18 - #26AWG sensor/switch input.

OPERATING TEMPERATURE:

-31 °F to +131 °F (-35 °C to + 55 °C).

POWER CONSUMPTION: 6VA Maximum.

ENCLOSURE: Noryl® Indoor/Outdoor NEMA 3R.

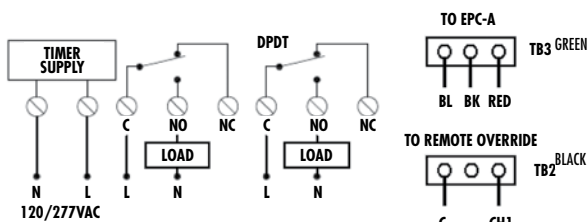
Suffix -NC Noryl® Indoor/Outdoor NEMA 3R with clear Lexan® cover.

Suffix -Y metal Indoor enclosure NEMA 1.

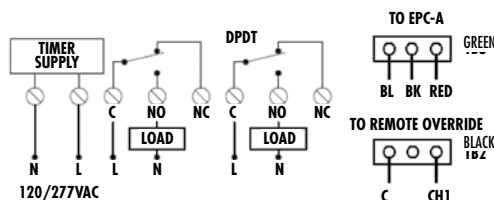
All with lockable hasp (see pages 589-593 for enclosure dimensions).

TYPE	VOLTAGE (VAC)	RATING	
		NO	NC
Resistive	24-277	20A	10A
Ballast	120-277	20A	10A
Tungsten	120	15A	-
Pilot Duty	120	720VA	290VA
	240		360VA
Motor	120	1HP	1/4HP
	240	2HP	1/2HP
Resistive	28VDC	20A	10A

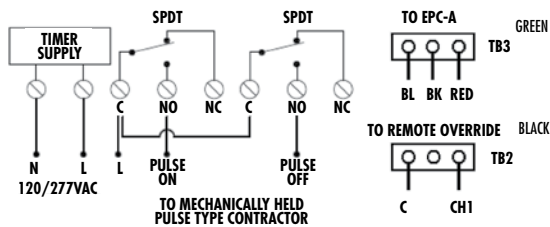
DGU100A



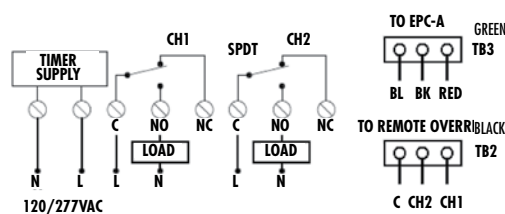
DGLC100A



DGUM100A



DGLC200A



ELC SERIES

ENERGY AND LIGHTING CONTROL

4, 8 & 12 ZONE

LIGHTING CONTROL



THE
DO-IT-ALL
ENERGY
& LIGHTING
CONTROLLER

APPLICATIONS



- HVAC equipment
- Indoor/Outdoor lighting
- Meets indoor/outdoor lighting energy code requirements

CALIFORNIA Title 24

ASHRAE 90.1

EPC-LC

LCS115M

CAT. NO.	UPC CODE	TIMER SUPPLY (VAC) 50/60Hz	NO. OF CHANNELS	OUTPUT CONTACTS
ELC74	82523	24/120/208-240/277	4	SPDT
ELC78	82524	24/120/208-240/277	8	SPDT
ELC712	82525	24/120/208-240/277	12	SPDT
EPC-LC	82233	Accessory Photo Sensor	-	-
LCS115M	82082	Accessory Momentary Switch	-	SPST

FEATURES

SCHEDULING: 128 time based events allow individual programs for each day of the week at a minimum 1 minute apart. Event types include ON, OFF, Duration, or Duty Cycle.

SENSOR EVENT: 32 sensor driven events allow individual programs for each day of the week.

SunSet ASTRONOMIC: Adjusts daily to changes in sunset times. Adjustable 10° - 70° Northern or Southern latitudes. Settings can be offset from both sunset and sunrise times.

UNIVERSAL INPUT: 8 inputs may be assigned to any channel. ELC74 includes 4.

SWITCHED INPUT: Accepts input from optional momentary or maintained switch for a timed override.

PHOTOSENSOR INPUT: Accepts input from optional sensor. EPC-LC (indoor/outdoor) has a range from 0 - 250 foot-candels.

MOMENTARY CONTACT: May be configured for momentary ON/OFF operation to control latching contactors. The ELC74 operates as a two channel unit. The ELC78 operates as a four channel unit. The ELC712 operates as a six channel unit.

HOLIDAYS: 26 holidays may be set using 10 individual dates, 10 month type (last Monday in May), or 6 specific holidays with one of 3 independent holiday schedules.

BLOCK HOLIDAY: 10 holiday blocks can be set for individual days or for duration of any number of days and may use one of 3 holiday schedules.

PULSE/TIME DURATION: 4 different ON settings from 1 second to 23 hours, 59 minutes, 59 seconds.

DUTY CYCLE: 4 different ON and OFF patterns from 1 second to 23 hours, 59 minutes, 59 seconds.

DAYLIGHT SAVING: Automatic adjustment (can be omitted).

LEAP YEAR: Automatic Compensation.

REMOTE OVERRIDE: Universal input may be programmed for timed override from a momentary or maintained dry contact switch.

MANUAL OVERRIDE: Keyboard button control until the next regularly scheduled ON or OFF, automatic operation then resumes.

STAGGERED START: Optional stagger up time between channels, after a power outage; selectable from 5 seconds, 15 seconds, 30 seconds, 1 minute, 5 minutes, 10 minutes, and 15 minutes.

CLOCK FORMAT: AM/PM or 24 hour format.

POWER OUTAGE BACKUP: The program and time of day are maintained for a minimum of 2 days by means of a capacitor. After two days, a lithium battery takes over and provides a minimum accumulated time of 1 year. The lithium battery should provide over 10 years of protection.

STANDARDS: Listed UL916.

SPECIFICATIONS

TIMING ACCURACY: Line frequency.

INPUT VOLTAGE:

24/120/208-240/277VAC, 50/60Hz.

TERMINAL RANGE:

#10 - #16AWG for line input.

#10 - #16AWG for load output.

#14 - #22AWG universal input.

OPERATING TEMPERATURE:

-20 °F to +140 °F (-29 °C to + 60 °C).

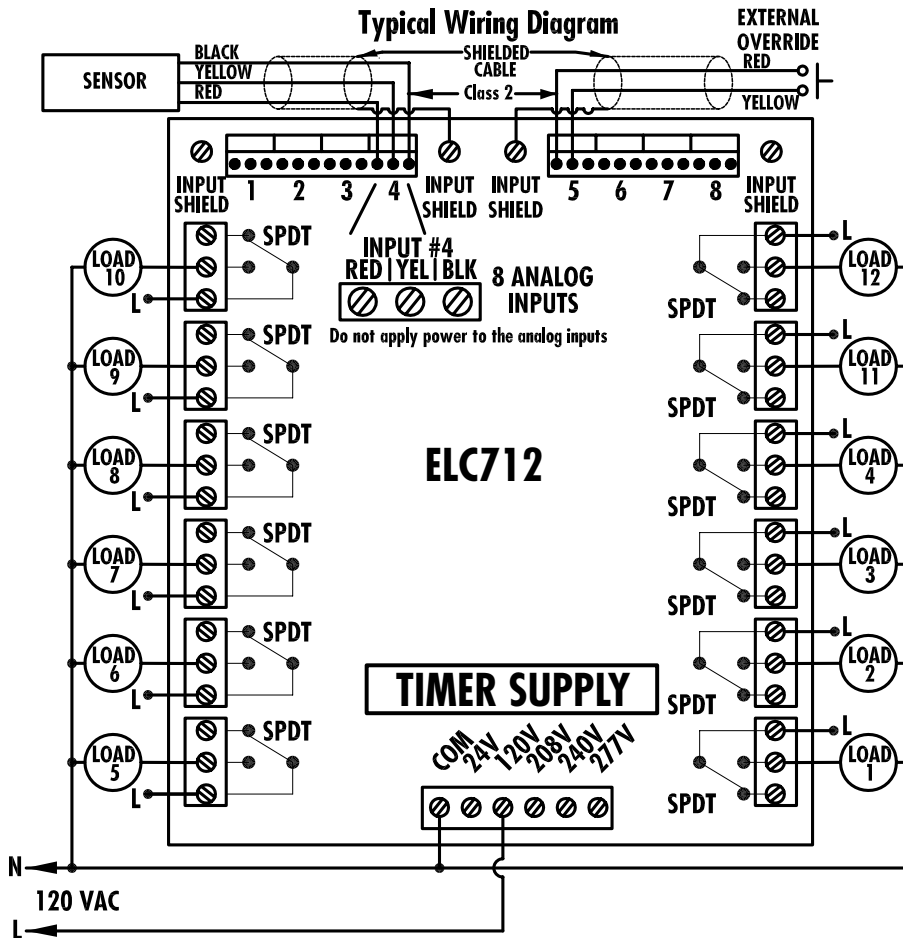
POWER CONSUMPTION: 10VA Maximum.

ENCLOSURE: Metal Indoor NEMA 1 with

lockable hasp (see pages 589-593 for

enclosure dimensions).

TYPE	VOLTAGE (VAC)	RATING	
		NO	NC
General Purpose	24/120 - 277	20A	15A
Ballast	120-277	20A	20A
Tungsten	120-277	5A	-
Pilot Duty	120-240	470VA	275VA
Motor	120	1HP	1/4HP
	208-277	2HP	1/2HP



DLC400BP

4 ZONE LIGHTING CONTROL TIME SWITCH

**FLEXIBLE
INDOOR &
OUTDOOR
LIGHTING
CONTROLLER**

APPLICATIONS



INTERIOR LIGHTING

- Open office zoning
- Hallways
- Meeting and sales areas
- Stock rooms and warehouses

EXTERIOR LIGHTING

- Signage and store windows
- Security
- Parking lots



CALIFORNIA Title 24

ASHRAE 90.1

Model EPC2
supplied with unit.

Memory Module
Programmer optional

With optional
Timed Override

CAT. NO.	UPC CODE	INPUT SUPPLY (VAC) 50/60 Hz	NO. OF CHANNELS	OUTPUT CONTACTS
DLC400BP	82191	120/208-240/277	4	SPDT
USB-MMP	82196	Memory Module Programmer	Includes Software	
SS410	14033	24VAC/24VDC	-	SPDT

FEATURES

CONFIGURABLE ZONES: Simple three position slide switch sets logic for each zone: Time ON/Time OFF, Photo ON/Photo OFF, or Photo ON/ Time OFF.

SCHEDULING: 99 ON & OFF set points allow individual programs for each day of the week. Minimum 1 minute apart.

SunSet ASTRONOMIC: Adjusts daily to changes in sunset times. **1.** Adjustable 10° - 60° Northern or Southern latitudes. **2.** Can be individually offset +/-1-240 minutes from both sunset and sunrise times.

PHOTOSENSOR INPUT: EPC2 photo sensor included.

LIGHT LEVEL ACTIVATION: Turn ON and OFF level is user settable from 1 to 100 footcandle. Each channel has an independent setting.

REMOTE OVERRIDE: Maintained dry contact closure or use TORK Model SS410 for timed override with flash warning before OFF. May use with occupancy sensor as override.

MANUAL OVERRIDE: Until the next regularly scheduled ON or OFF, automatic operation then resumes.

SEASONS: 1 to 4 with different daily schedules which can wrap around into the new year.

HOLIDAYS: 1 to 24 individual dates.

DAYLIGHT SAVING: Automatic adjustment (can be omitted).

LEAP YEAR: Automatic Compensation.

POWER OUTAGE BACKUP: Permanent schedule retention with memory module. Battery provides real time backup for 6 months cumulative.

MEMORY MODULE: Removable MM can be programmed at any one location and inserted into another DZS series unit.

OPTION: Memory Module Programmer with software for computer connection programming. Also allows stand alone battery operation for portable copy feature.

STANDARDS: Listed UL916.

SPECIFICATIONS

TIMING ACCURACY: Line frequency.

INPUT VOLTAGE:

120/208 - 240/277VAC, 50/60Hz.

TERMINAL RANGE: #10 - #14AWG.

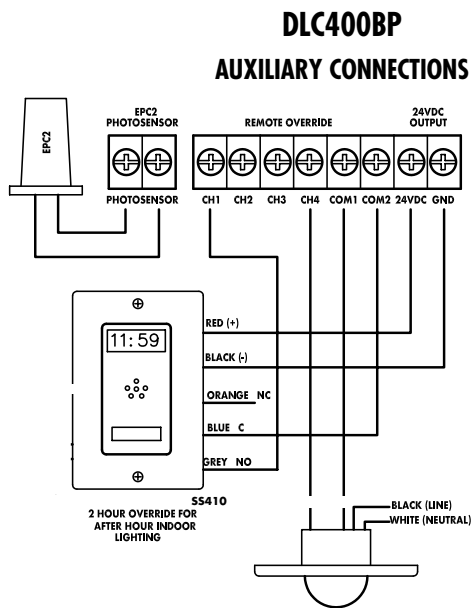
OPERATING TEMPERATURE:

-40 °F to +158 °F (-40 °C to + 55 °C).

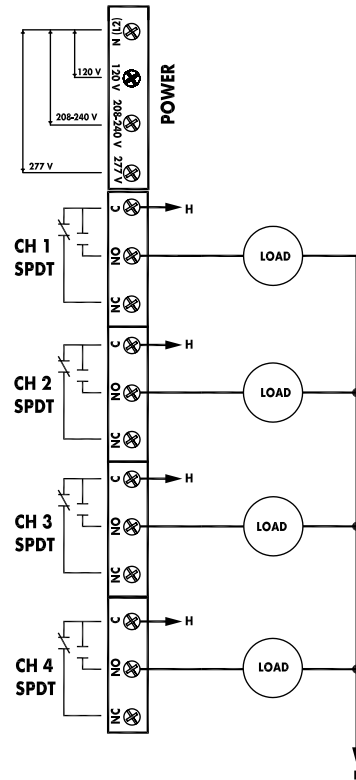
POWER CONSUMPTION: 30VA Maximum.

ENCLOSURE: Metal Indoor/Outdoor NEMA 3 with lockable hasp (see pages 589-593 for enclosure dimensions).

TYPE	VOLTAGE (VAC)	RATING	
		NO	NC
General Purpose	24-277, 30VDC	30A	30A
Ballast	120-277	20A	10A
Tungsten	120	10A	
Pilot Duty	120-277	720VA	720VA



TORK DIGITAL CONTROL TERMINAL BLOCK



LD SERIES

EXTENDED LIGHTING CONTROL LIGHTING DELAY TIME SWITCH



ASHRAE 90.1

ADD A
WARNING
BLINK TO ANY
CONTROL

APPLICATIONS



- Open offices
- Gymnasiums
- Warehouses
- Outdoor recreation courts
- User-activated lights with time limits
- Match with photocontrol and timer to limit hours of use

FEATURES

MAINTAINED INPUT WITH LOAD WARNING BLINK: LDS Series controls output load contacts based on power applied to the time switch input contact. At removal of power from the time switch input, LDS Series provides 1 second blink then keeps load contacts closed for an extra 1 or 5 minutes (user selectable) before turn off.

MAINTAINED INPUT WITH AUXILIARY WARNING: LDSH Series controls output load contacts based on power applied to the time switch input contact. At removal of power from the time switch input, LDSH Series closes a second set of contacts for a user supplied audible or visual warning device. The warning circuit closes for a selected time of 4 seconds (best for audible device or continuous, then keeps load contacts closed for an extra 1 or 5 minutes (user selectable) before turn OFF.

MOMENTARY INPUT: Provides timed override when time switch input contact is unpowered (timer OFF). When activated during the warning period, load contacts are kept closed and timing starts. Both series can accept momentary input contact closure for ON to start the timing and OFF to end the timing.

TIMED OVERRIDE SETTINGS: User may select override times of 1/2, 1, 1½, 2, 6, 9, or 12 hours. Warning before OFF is always active after override time.

STANDARDS: Listed UL917.

SPECIFICATIONS

INPUT VOLTAGE:
120/208/240/277VAC, 50/60Hz.

TERMINAL RANGE: #10 - #16AWG for line/load. #18 - #26AWG switch input.

OPERATING TEMPERATURE:
-22 °F to 150 °F (-30 °C to +65 °C).

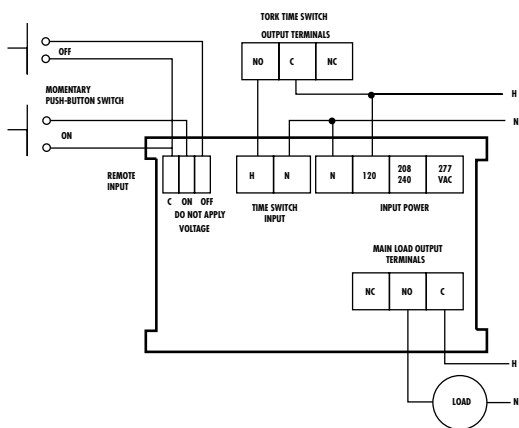
POWER CONSUMPTION:
5VA Maximum.

ENCLOSURE: Metal Indoor NEMA 1 with lockable hasp (see pages 589-593 for enclosure dimensions).

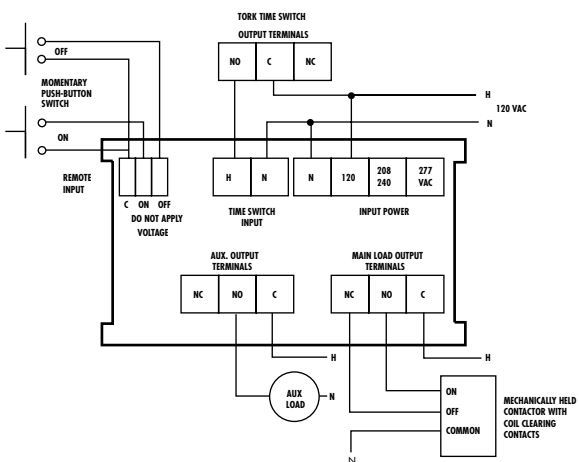
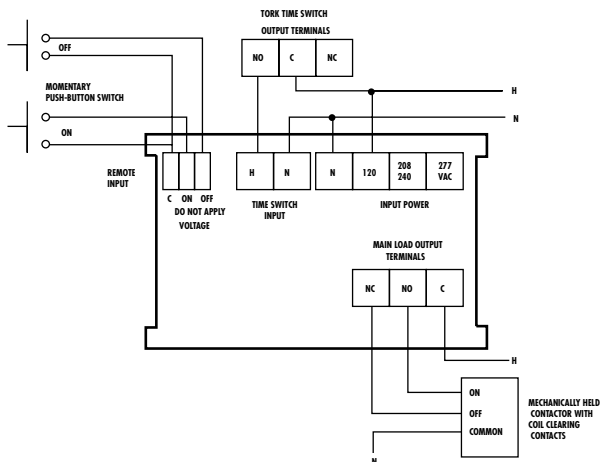
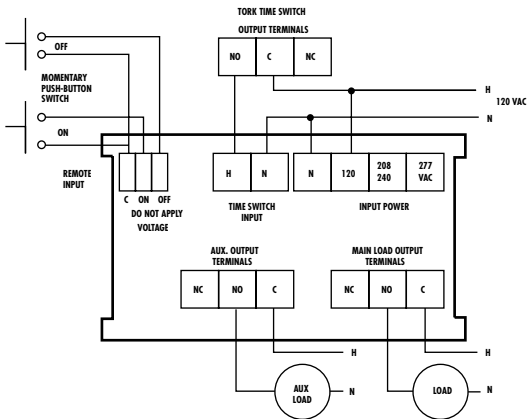
CAT. NO.	UPC CODE	INPUT SUPPLY (VAC) 50/60 Hz	OUTPUT CONTACTS	ENCLOSURE TYPE
LDS-A	81026	120/208-240/277	SPDT	Metal Indoor NEMA 1
LDS	81025	120/208-240/277	SPDT	Mechanism
LDSH-A	81031	120/208-240/277	SPDT	Metal Indoor NEMA 1

TYPE	VOLTAGE (VAC)	RATING	
		NO	NC
General Purpose	24/240	20A	10A
	277	20A	3A
Ballast	120	20A	10A
	208-277	10A	3A
Tungsten	120-277	5A	3A
Pilot Duty	120-240	470VA	275VA
	277	690VA	
Resistive	28VDC	20A	10A

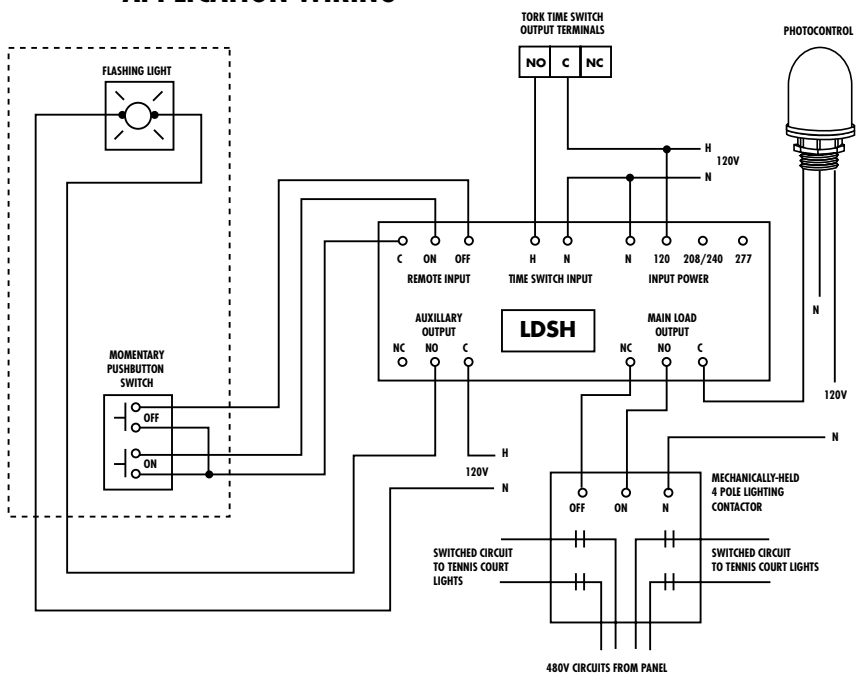
LDS WIRING



LDSH WIRING



APPLICATION WIRING



DGS SERIES

SIGNALING AND DUTY CYCLE

24 HOUR OR 7 DAY

TIME SWITCH



**31 DAY
CYCLE TIME:
AN INDUSTRY
FIRST!**

APPLICATIONS



- Signaling
- Duty cycle

FEATURES

DG180A & DG280A: 56 ON & OFF set points provide daily repeated programs. Minimum setting is 1 minute.

DGS100A: 56 ON & OFF set points provide individual programs for each day of the week. Minimum setting is 1 minute.

DUTY CYCLE & SIGNALING: Two different ON/OFF patterns or signal durations may be programmed. The durations can be up to 23 hours, 59 minutes and 59 seconds in length.

SKIP FUNCTION (24 HOUR UNITS ONLY): Each channel can be set for ACTIVE/SKIP operations that alternate from 1 - 31 days. This becomes an effective way to cycle loads on varying days within the month. Using the two-circuit DG280A, two loads can be set to operate on alternate days in a simple manner.

DAYLIGHT SAVING: Automatic adjustment (can be omitted).

LEAP YEAR: Automatic Compensation.

MANUAL OVERRIDE: Until the next regularly scheduled ON or OFF, automatic operation then resumes.

CLOCK FORMAT: AM/PM or 24 hour.

POWER OUTAGE BACKUP: Permanent schedule retention. Supercapacitor provides 7 days of real time backup.

STANDARDS: Listed UL916

CAT. NO.	UPC CODE	INPUT SUPPLY (VAC) 50/60 Hz	NO. OF CHANNELS	OUTPUT CONTACTS
24 HOUR MODELS				
DG180A	82206	120-277	1	DPDT
DG280A	82207	120-277	2	SPDT
DG280A-24	82220	24VAC	2	SPDT
7 DAY MODELS				
DGS100A	82205	120-277	1	DPDT
DGS100A-12	82218	12VDC	1	DPDT
DGS100A-24	82219	24VAC	1	DPDT

SPECIFICATIONS

TIMING ACCURACY: Line frequency.

INPUT VOLTAGE:

120 - 277 VAC, 50/60 Hz (auto detection).

TERMINAL RANGE: #12 - #18AWG.

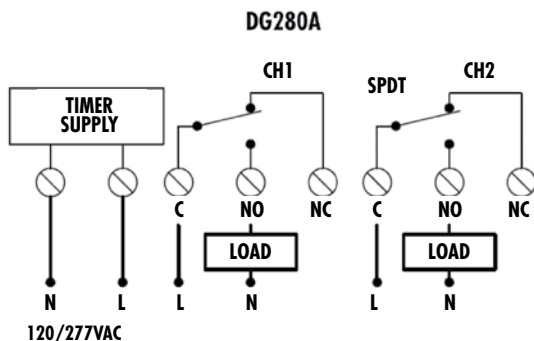
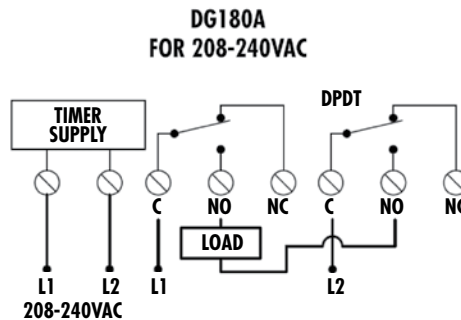
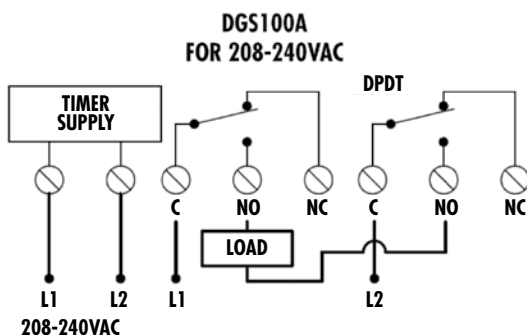
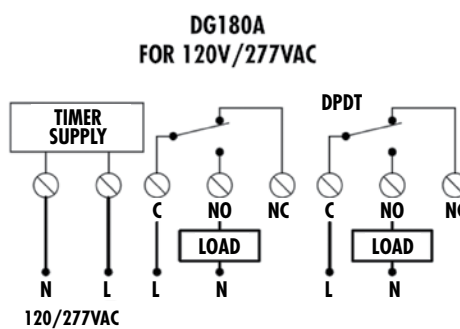
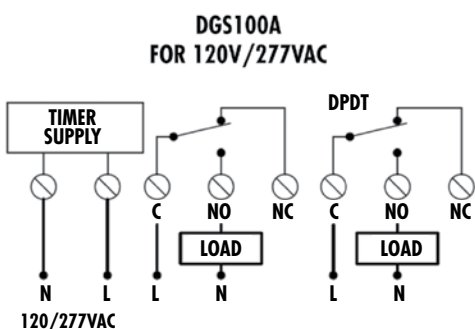
OPERATING TEMPERATURE:

-31 °F to +131 °F (-35 °C to + 55 °C).

POWER CONSUMPTION: 6VA Maximum.

ENCLOSURE: Noryl® Indoor/Outdoor NEMA 3R with lockable hasp (see pages 589-593 for enclosure dimensions).

TYPE	VOLTAGE (VAC)	RATING	
		NO	NC
Resistive	24-277	20A	10A
Ballast	120-277	20A	10A
Tungsten	120	15 A	-
Pilot Duty	120	720VA	290VA
	240		360VA
Motor	120	1HP	1/4HP
	240	2HP	1/2HP
Resistive	28VDC	20A	10A



EJWT & E500T SERIES

DELAY, INTERVAL &
PERCENTAGE TIME CYCLE
TIME SWITCHES

PERFECT FOR
PROCESS
CONTROL

APPLICATIONS



- Poultry and livestock
- Agriculture or greenhouse
- Oil well pumping
- Ventilation
- Process control



FEATURES

EJWT – PERCENTAGE TIMER

960 time combinations with two dials.
Cycle Time Dial sets 32 repeating cycles from 15 seconds to 24 hours.
Percentage ON Dial has 32 steps from 0% to 100%.
Repeats cycle as long as power is applied.

E500T – ON DELAY TIMER

Dial sets 30 time delay durations from 5 seconds to 3 hours.
External switch activated starts delay to ON.
Runs until external switch turns OFF.

E501T – AUTO OFF INTERVAL TIMER

Dial sets 30 time durations from 10 seconds to 12 hours.
Start/Stop button or External switch starts interval ON.
Automatically turns OFF at end of preset time.
START/STOP or External switch turns OFF.

E502T – OFF DELAY TIMER

Dial sets 30 time durations from 5 seconds to 3 hours.
External switch starts interval ON.
Automatically turns OFF at end of preset time.
External switch turns OFF.

STANDARDS: Listed UL916.

CAT. NO.	UPC CODE	INPUT SUPPLY (VAC) 60 Hz	OUTPUT CONTACT
EJWT	82513	120-240	SPDT
E500T	82514	120-240	SPDT
E501T	82515	120-240	SPDT
E502T	82516	120-240	SPDT

TYPE	VOLTAGE (VAC)	RATING	
		NO	NC
General Purpose	120-240	20A	10A
Resistive	120-240	20A	10A
Motor	120	1HP	1/4HP
	208-240	2HP	1/2HP
Pilot Duty	120/240	470VA	275VA

SPECIFICATIONS

TIMING ACCURACY: 1% of timing range.

INPUT VOLTAGE: 120/240VAC, 60Hz.

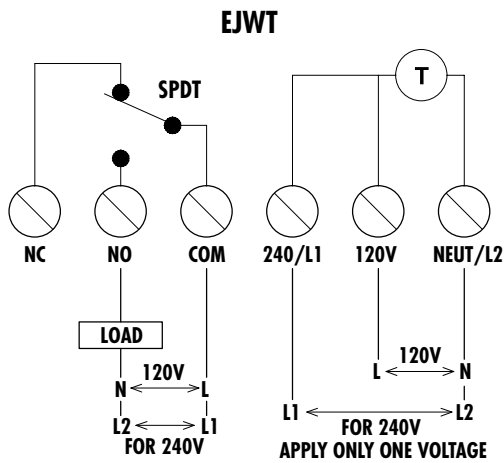
TERMINAL RANGE: #12 - #18AWG.

OPERATING TEMPERATURE:

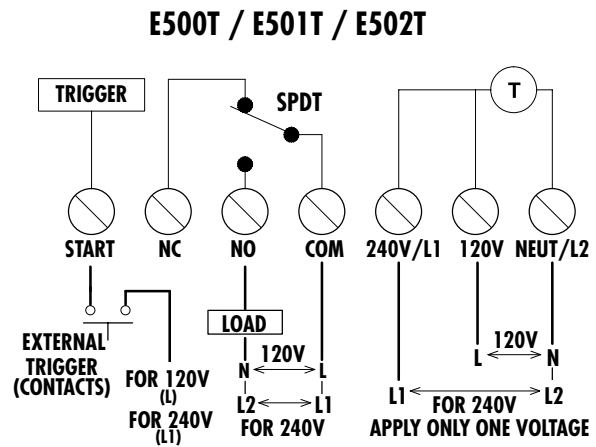
32°F to +122°F (0°C to + 50°C).

POWER CONSUMPTION: 1.6VA Maximum.

ENCLOSURE: Indoor NEMA 4X is standard
(see pages 589-593 for enclosure dimensions).



Use copper conductors. For supply connections use AWG #12 wire rated for at least 90°C (194°F) or equivalent.



Use copper conductors. For supply connections use AWG #12 wire rated for at least 90°C (194°F) or equivalent.

PCT15M

PANEL MOUNT CYCLE TIME SWITCHES



SPECIFICATIONS

TIMING ACCURACY:

1% of timing range.

INPUT VOLTAGE: 120-240VAC,

50/60Hz (automatic detection).

TERMINAL RANGE: #14 - #16AWG

for line input, #12 - #16AWG for load output.

OPERATING TEMPERATURE:

-40 °F to +149 °F (-40 °C to +65 °C).

POWER CONSUMPTION: 5VA Max.

APPLICATIONS



- Oil field pumping stations
- Poultry and livestock feeding and watering
- Ventilation
- Process control

FEATURES

FIXED TIMER CYCLE: 15 minutes repeating cycle when unit is powered.

PERCENTAGE ON: 1% to 99% increments.

DISPLAY: Digital percentage reading.

ON SETTING: Hold ON.

OFF SETTING: Hold OFF.

POWER OUTAGE BACKUP: Remembers place in cycle when power resumes.

TEST MODE: For temporary ON/OFF cycle verification.

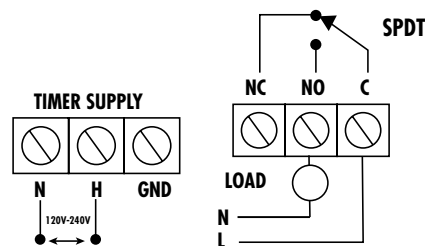
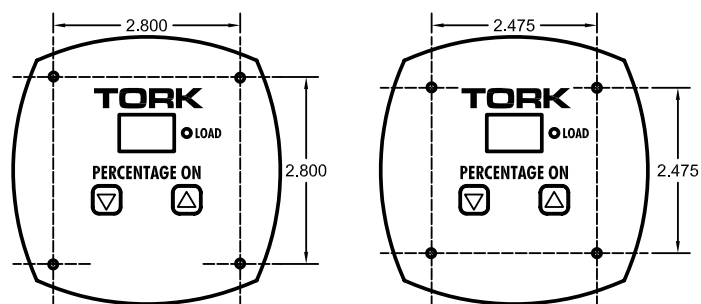
PANEL MOUNTING: 3" diameter back housing retrofits to existing mechanical timer dimensions. Two sets of mounting dimensions to choose from. (see pages 589-593 for enclosure dimensions).

STANDARDS: Listed UL60370 (formerly UL917).

CAT. NO.	UPC CODE	INPUT SUPPLY (VAC) 60 Hz	OUTPUT CONTACT
PCT15M	82528	120-240	SPDT

TYPE	RATINGS	
	NO	NC
120-240VAC General Purpose & Resistive	20A	20A
120VAC Motor	1HP	1/4HP
240VAC Motor	2HP	1/2HP

PCT15M



ACT30MA

ADJUSTABLE CYCLE TIMER TIME SWITCHES



SPECIFICATIONS

INPUT VOLTAGE: 120-240VAC.

TERMINAL RANGE: #18 - #12AWG.

CONTACTS: SPDT.

ENCLOSURE:

Indoor NEMA 4X is standard (see pages 589-593 for enclosure dimensions).

APPLICATIONS

- Poultry and livestock feeding and watering
- Agriculture irrigation for field or greenhouse
- Oil well pumping daily cycle
- Ventilation
- Process control

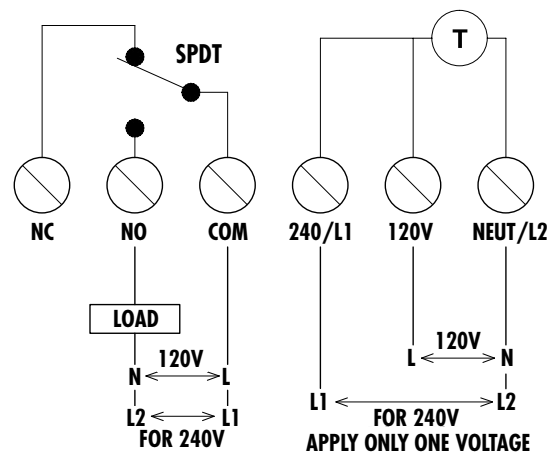
FEATURES

960 time combinations with two dials
ON time dial sets 30 time steps from 30 seconds to 15.5 minutes
OFF dial has 30 steps time steps from 30 seconds to 15.5 minutes
 Repeats cycle as long as power is applied
 Hold On or Hold Off positions included
STANDARDS: Listed UL916.

CAT. NO.	UPC CODE	INPUT SUPPLY (VAC) 60 Hz	OUTPUT CONTACT
ACT30MA	82527	120-240	SPDT

TYPE	RATINGS	
	NO	NC
120-240VAC General Purpose & Resistive	20A	10A
120VAC Motor	1HP	1/4HP
208-240VAC Motor	2HP	1/2HP
120-240VAC Pilot Duty	470VA	275VA

ACT30MA

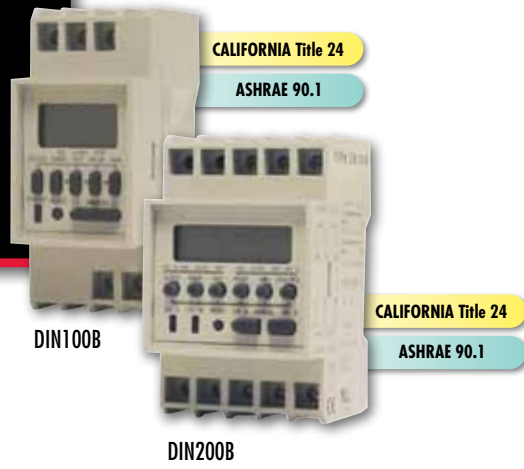


Use copper conductors. For supply connections use AWG #12 wire rated for at least 90°C (194°F) or equivalent.

DIN SERIES

1 OR 2 CHANNEL

7 DAY TIME SWITCH



PANEL BUILDERS' CHOICE

APPLICATIONS



DIN100B

DIN200B

- Panel builders
- Indoor/Outdoor lighting
- Security systems
- HVAC equipment

FEATURES

SCHEDULING: 8 ON and OFF pairs of set points for DIN100B. 4 ON and OFF (CH A) and 3 ON and OFF (CH B) pairs of set points for DIN200B. Individual programs on each day of the week. Minimum setting is 1 minute.

MANUAL OVERRIDE: Until the next regular scheduled ON or OFF, automatic operation then resumes.

CLOCK FORMAT: AM/PM.

POWER OUTAGE BACKUP: Battery retains time and schedule.

CAT. NO.	UPC CODE	DRY CONTACTS	CLOCK INPUT (VAC)50/60 Hz	NO. OF CHANNELS	NUMBER OF ON/OFF
DIN100B	82193	SPDT	120	1	8
DIN200B	82192	SPDT	120	2	4 Channel A 3 Channel B

TYPE	VOLTAGE (VAC)	RATING	
		NO	NC
Resistive	120	16A	16A
General Purpose	120	8A	8A
Motor (DIN100 only)	120	1/2HP	

TORK DIGITAL TIME SWITCHES

SPECIFICATIONS

INPUT VOLTAGE: 120VAC, 50/60Hz.

TERMINAL RANGE: #12 - #18AWG.

OPERATING TEMPERATURE:

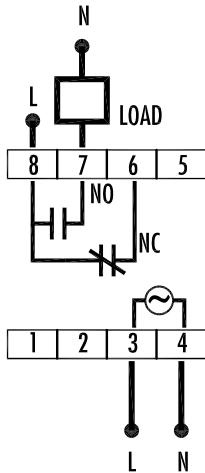
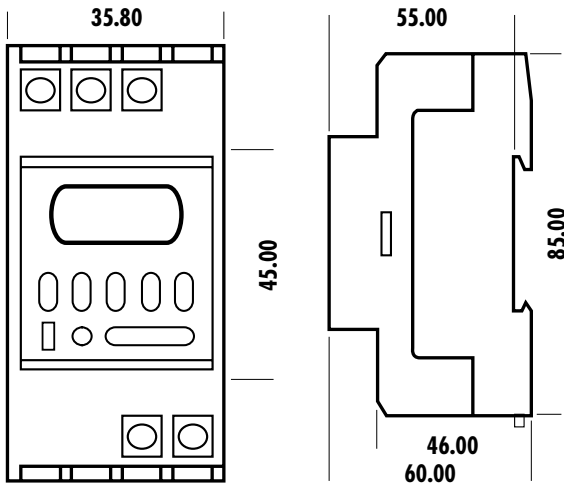
DIN100B: 14 °F - 131 °F (-10 °C - +55 °C).

DIN200B: 14 °F - 113 °F (-10 °C - +45 °C).

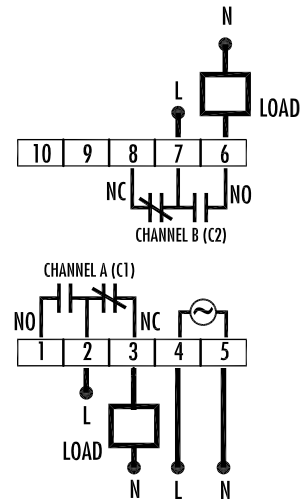
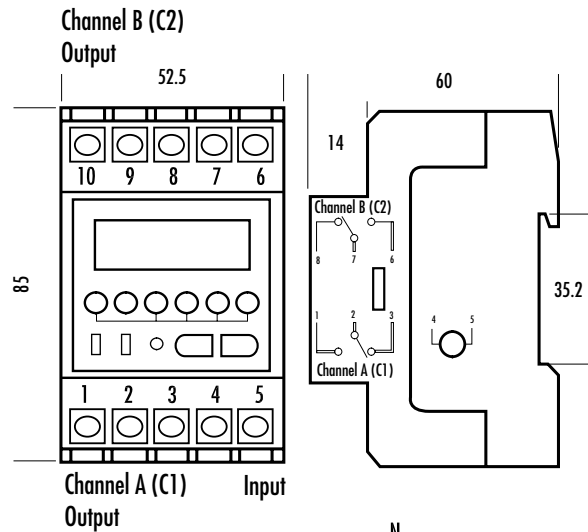
POWER CONSUMPTION: 4VA Maximum.

MOUNTING: DIN rail #50022 (35mm) or flat surface using supplied adapter.

DIN100B



DIN200B



SMC SERIES MOMENTARY CONTACT ADAPTER



APPLICATIONS

- Converts maintained contacts for pulse switching
- Timer to latching contactor control
- Photocell to latching contactor control Signaling

SPECIFICATIONS

INPUT VOLTAGE: 120VAC, 50/60Hz.

TERMINAL RANGE: #12 - #18AWG.

OPERATING TEMPERATURE:
-31 °F to +131 °F (-35 °C to + 55 °C).

POWER CONSUMPTION: 6VA max.

ENCLOSURE: Noryl® Indoor/Outdoor NEMA 3R with lockable hasp (see pages 589-593 for enclosure dimensions).

FEATURES

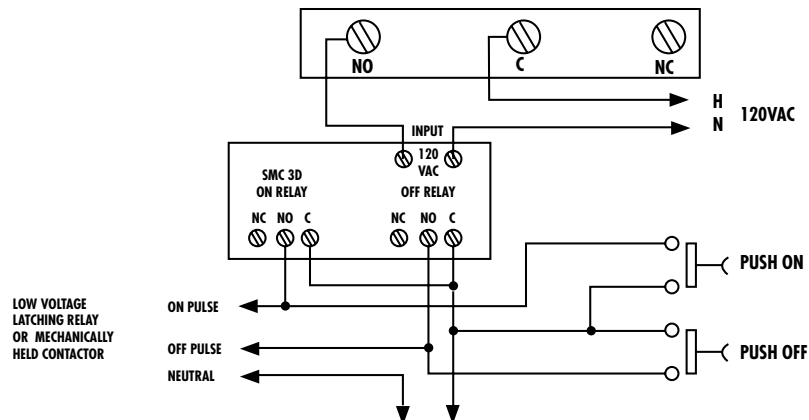
MAINTAINED INPUT: SMC3D accepts maintained input power from any 120 volt control. When power is applied or removed a short contact closure (pulse) is created on the dry output contacts.

MOMENTARY OUTPUT: SMC3D provides two dry output contacts. The ON contact provides a 2 second contact closure (pulse) when power is applied to the input contacts. The OFF contact provides a 2 second pulse when power is removed from the input contacts.

CAT. NO.	UPC CODE	INPUT SUPPLY (VAC) 50/60Hz	OUTPUT CONTACTS
SMC3D	52011	120	SPDT Momentary

TYPE	VOLTAGE (VAC)	RATING	
		NO	NC
Resistive	120	10A	10A
General Purpose	120	10A	10A
Motor	120	1/4HP	

TORK DIGITAL CONTROL
TERMINAL BLOCK
MAINTAINED CONTACT INPUT



5401A SERIES

INCREASED AMPERAGE & VOLTAGE SWITCHING

40 AMP CONTACTORS

APPLICATIONS

- Lighting loads
- Exhaust fans
- Electric and hot water heaters
- Refrigeration and defrosting



5401A

5441A

CAT. NO.	UPC CODE	COIL VOLTS	NO. OF CONTACTORS	OUTPUT CONTACTS
5401A	81019	120	1	3PST
5441A	81020	120	4	3PST

FEATURES

CONTACT RATINGS: Can switch up to 40 AMPS per pole from 120VAC to 277V lighting loads, one to three circuits simultaneously.

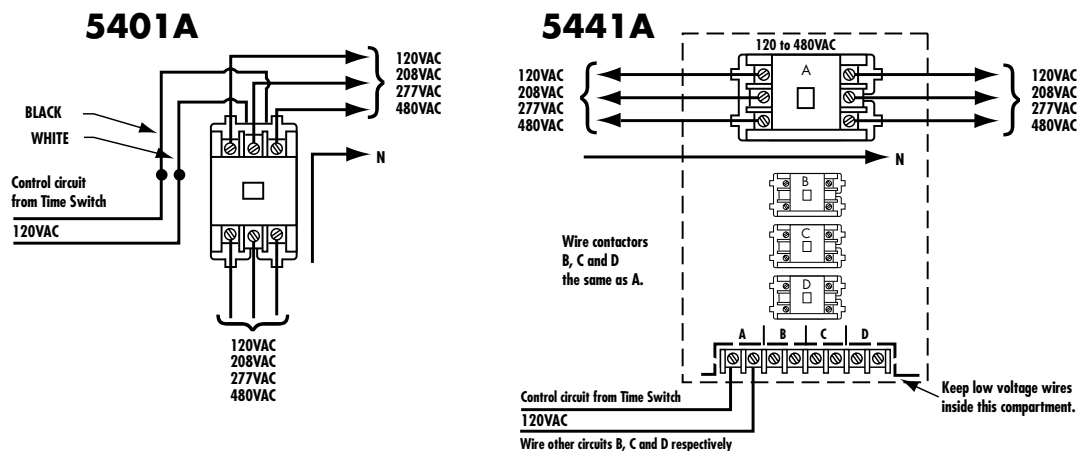
EASY WIRING: Includes 120 volt control wiring compartment. 5441 has terminal strip pre-mounted for quick connection.

ENCLOSURE: Metal NEMA 1 Indoor enclosure (see pages 589-593 for enclosure dimensions).

TYPE	VOLTAGE (VAC)	FLA	RATING
Tungsten*	120	-	30A
Ballast*	120/277	-	40A
LED*	120/277	-	40A
Motor (Single Phase)	120 240	40 40	3HP 7.5HP
Motor (3 Phase)	240 480	40 40	10HP 20HP

Coil Data: 120VAC @ 60Hz
6VA Holding/seal; 60VA inrush

* Ratings for single phase load



HPS STARTER

FOR HIGH PRESSURE SODIUM LAMPS STARTING AID



SPECIFICATIONS

LINE VOLTAGE: 105 - 347VAC.

LAMP VOLTAGE: 55 or 100VAC.

LAMP WATTAGE: 35 to 400 watts.

OPERATING TEMPERATURE:
-40 °F to +221 °F (-40 °C to + 105 °C).

LEAD LENGTH: 9 inches.

ENCLOSURE: Durable, high temperature Lexan® housing.

APPLICATIONS

- Designed to operate as a starting aid, for all
- H.P.S. ballasts from 35 to 400 watts, with lamp voltage of 55 or 100 volts.

FEATURES

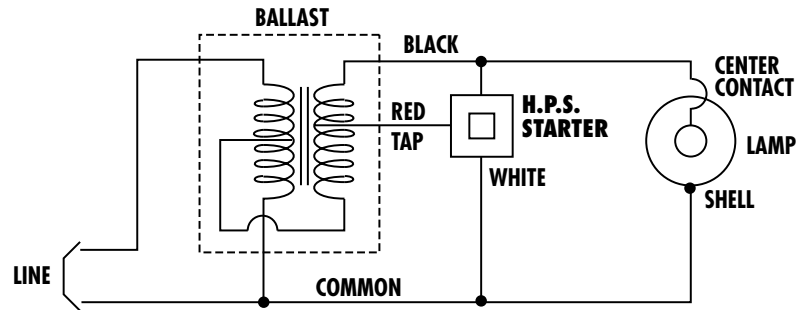
SMART VOLTAGE: Delivers appropriate trigger spikes for lamp ignition, then reduces voltage to good lamps. Continues to feed voltage spikes to old or poorly working lamps.

HIGH GRADE MATERIAL: All components are sealed with high grade die-electric material to protect against contaminants and other adverse environmental conditions.

EASY INSTALLATION: Universal 3 wire design, color coded for ease of installation.

CAT. NO.	UPC CODE	DESCRIPTION
----------	----------	-------------

HPS30	81030	High Pressure Sodium Starter
-------	-------	------------------------------

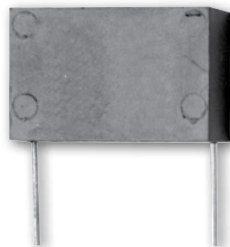


SURGE SUPPRESSOR

FOR HIGH ELECTRICAL NOISE

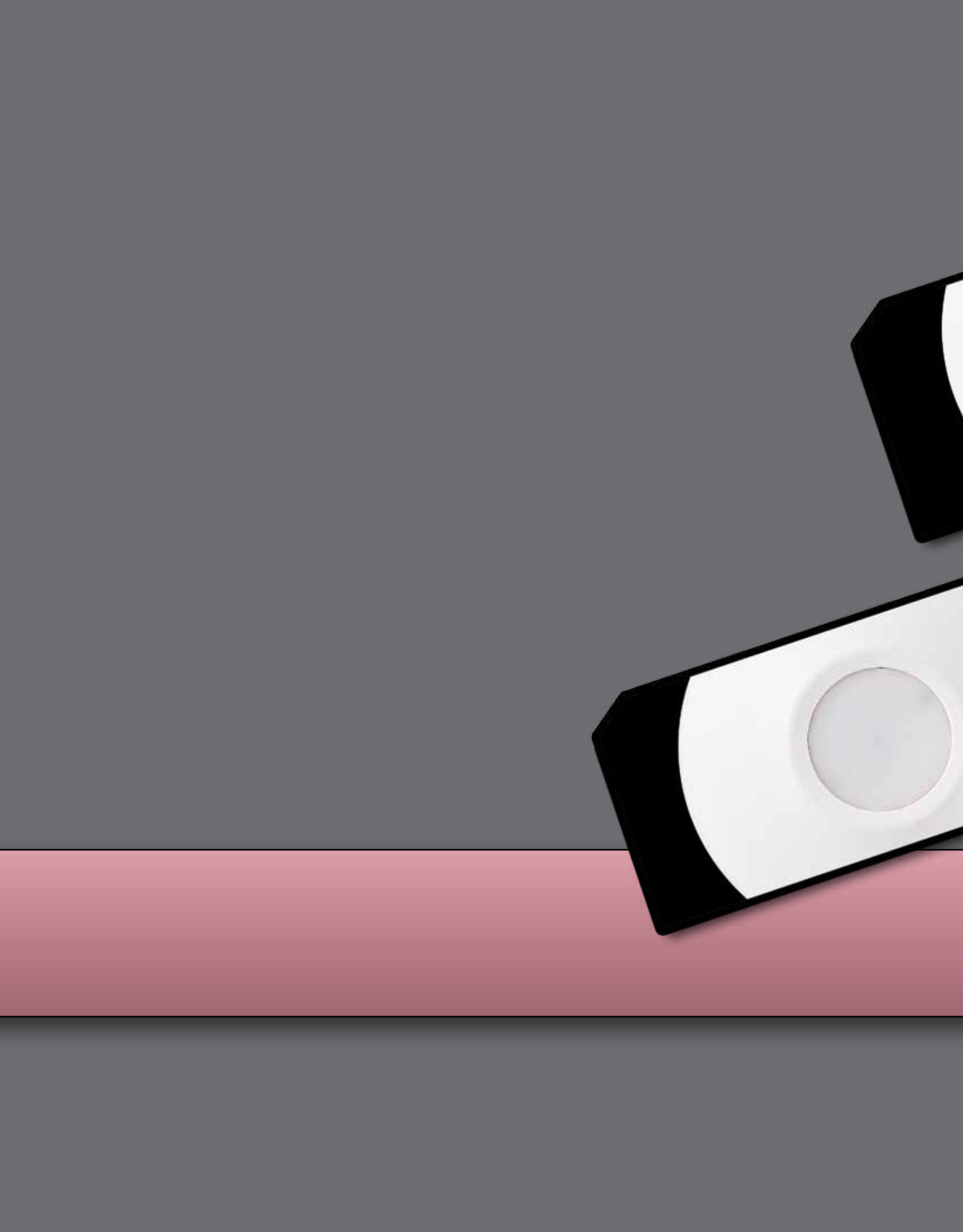
APPLICATIONS

- For high electrical noise interference, recommended for all digital controls.



CAT. NO.	UPC CODE	DESCRIPTION
----------	----------	-------------

90058-1	81024	Surge Suppressor
---------	-------	------------------





TORK® OCCUPANCY SENSORS

TECHNOLOGY PIR AND ULTRASONIC

A **Passive Infrared Sensor** (PIR sensor), is a device that measures infrared radiation (IR), or heat, from objects in its field of view. Because it only receives information, it is considered passive. The IR sensor views a human body as an IR generating object. The lens of the occupancy sensor breaks up the field of view into IR sensitive bands. The occupancy sensor is designed to only react when heat is sensed moving from band to band. For PIR occupancy sensors to work, the person must have direct "line of sight" to the PIR sensor and cross between bands.

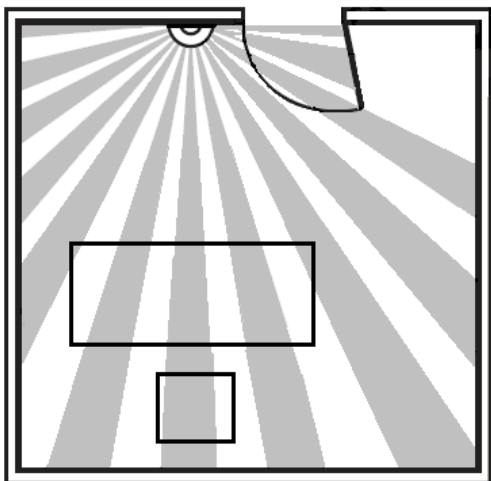
An **Ultrasonic Sensors** (US sensor) is a technology that works on a principle similar to radar or sonar. It is an active technology that sends and receives. It emits an inaudible high-frequency sound wave and evaluates the echo which is received back after bouncing around in the room. This allows the sensor to evaluate the whole room and can "look" over walls and obstructions to identify movement.

Both technologies show higher sensitivity closer to the sensor to allow small movements to be noticed. Sensitivity reduces further away from the sensor and may require a walking step to activate the sensor.

PLACEMENT GUIDELINES WALL SENSOR

A **Wall Switch Sensor** provides a 180° coverage pattern, extending outward from the sensor. This will allow for instant turn ON when an occupant enters the space. Total area covered will be over 400 square feet.

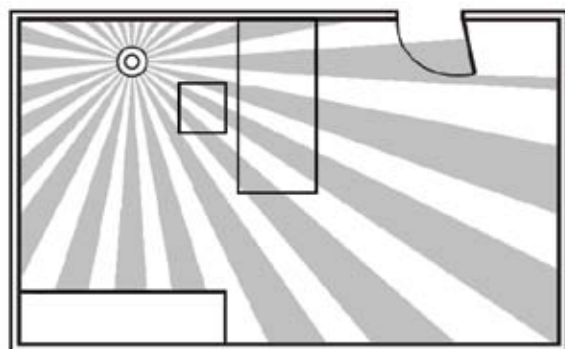
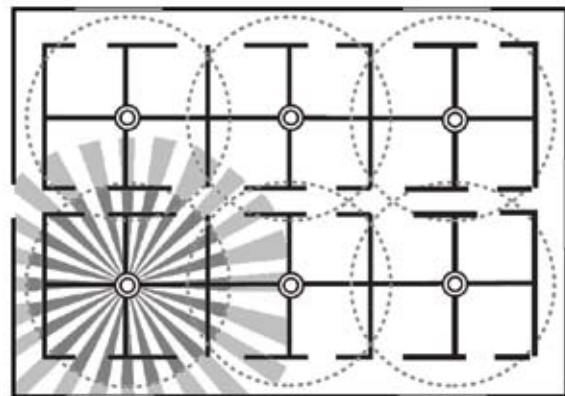
- Proper placement gives the sensor a clear line of sight to the entry door without viewing the hallway.
- The occupant must be able to see the sensor from their normal work position otherwise the sensor will not be able to detect their presence.
- For offices where there are other obstructions between the sensor and the occupant or the entry door, a ceiling sensor is required.



PLACEMENT GUIDELINES CEILING SENSOR

A **Ceiling Sensor** provides a 360° coverage pattern of up to 1200 square feet when using passive infrared only. Barriers within the space that block line-of-sight to sensor detection will decrease coverage area when using passive infrared by itself, ultrasonic or dual technology will allow the sensor to get around the obstructions.

- Designed for ceiling mounting at a height of 8-10 feet (mounting sensor at greater heights decreases the sensitivity to motion, while lower mounting height will decrease range).
- The sensor needs a visually unobstructed view of the normally occupied workspace and entry door(s).
- Avoid sensor placement with a direct view out a doorway. Placing the sensor offset from the center and away from the door is recommended.
- If the occupant cannot see a PIR sensor from their normal work position, the sensor will not be able to detect their presence.
- File cabinets, partitions, or walls are typical types of obstructions. If there are other obstructions between the sensor and the occupant, an ultra-sonic or dual technology ceiling sensor is recommended.
- When the photo sensor is used, mount within 15 feet of the widows or skylight and avoid mounting the sensor close to lighting fixtures.
- Place the sensor no closer than 5 feet to an HVAC air duct when using dual technology sensors.
- Open office designs encourage placement of the sensors to allow overlapping coverage of small motion range and a clear view into each cubicle. Walking step motion may cover the entry to the space. Dual technology units provide added sensitivity to small motion.



WOS SERIES

PIR WALL SWITCH OCCUPANCY SENSOR



ASHRAE 90.1



APPLICATIONS

- Offices areas
- Meeting rooms
- Equipment room & storage spaces

SPECIFICATIONS

VOLTAGE:

120VAC 50/60 Hz.

OPERATING TEMPERATURE:

32 °F to 131 °F (0 °C to 55 °C).

COVERAGE:

1200 sq. ft.

WARRANTY:

3 YRS.

CONTACT RATINGS:

120V 800W Tungsten.
120V 1000W Electronic Ballast & LED.
120V ¼ HP Motor.

FEATURES

SOFTWARE SET: Completely customizable functions through button push programming.

MODES: Four selectable modes: Automatic On/Off, Manual On (vacancy), energy saving Walk Through, or Test. Factory default setting is Automatic.

TIME DELAY: 6 steps settings 5, 10, 15, 20, 25, and 30 minutes. Factory default setting is 10 minutes.

FLASH WARNING: Optional load flicker 2 minutes before Off.

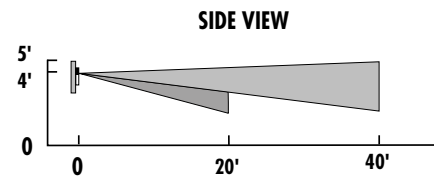
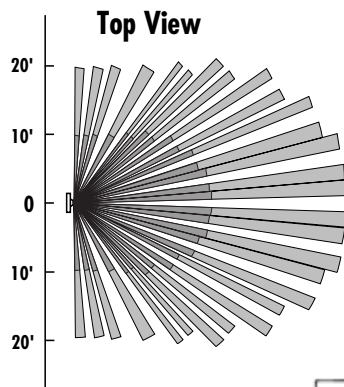
TAMPER RESISTANT: Captive button, rugged lens, and optional disable button function for public areas. Use in bathrooms to avoid manual off condition for occupant as another person leaves.

COVERAGE AREA: Preset for full coverage area. Optional half size area is selectable.

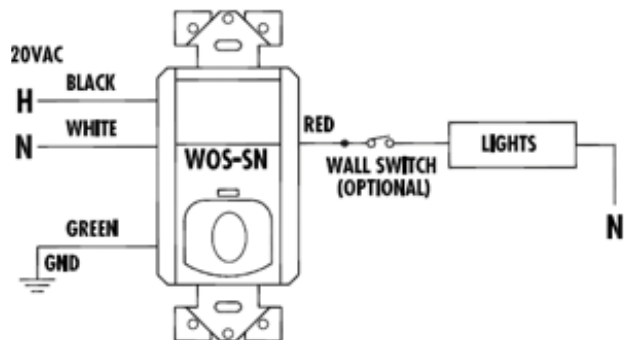
TEST MODE: Used for initial installation. Changes back to Auto mode within 30 minutes without resetting.

COLOR: White (single gang decorator wall plate included).

CAT NO.	UPC CODE	INPUT SUPPLY VAC 50/60Hz	WIRING
WOS-SN	98213	120	Requires Neutral



180° Field of View



WOS-M SERIES

PIR WALL SWITCH OCCUPANCY SENSOR



ASHRAE 90.1



APPLICATIONS

- Offices areas
- Meeting rooms
- Equipment room & storage spaces
- New construction & retrofit

SPECIFICATIONS

VOLTAGE:

120/230/277VAC 50/60 Hz.

OPERATING TEMPERATURE:

32 °F to 131 °F (0 °C to 55 °C).

COVERAGE: 1200 sq. ft.

WARRANTY: 5 YRS.

CONTACT RATINGS:

120V 800W Tungsten.
120V 1000W Electronic Ballast & LED.
230V 1500W Electronic Ballast & LED.
277V 1800W Electronic Ballast & LED.
120V ¼ HP Motor.

CAT. NO.	UPC CODE	INPUT SUPPLY VAC 50/60Hz	WIRING
WOS-M	98217	120/230/277	No Neutral Required
WOS-MN	98215	120/230/277	Requires Neutral

FEATURES

SOFTWARE SET: Completely customizable functions through button push programming.

MODES: Four selectable modes: Automatic On/Off, Manual On (vacancy), energy saving Walk Through, or Test. Factory default setting is Automatic.

TIME DELAY: 6 steps settings 5, 10, 15, 20, 25, and 30 minutes. Factory default setting is 10 minutes.

DAYLIGHT PHOTOSENSOR: Optional light-level turn off from 5 to 200fc. Save energy if windows provide enough light.

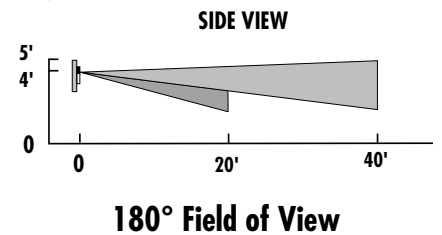
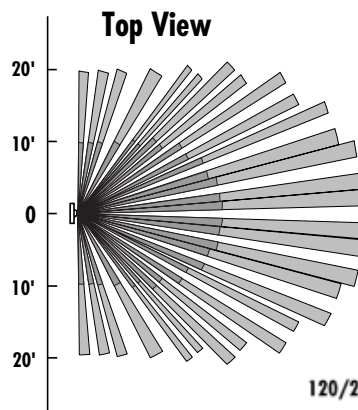
FLASH WARNING: Optional load flicker 2 minutes before Off.

TAMPER RESISTANT: Captive button, rugged lens, and optional disable button function for public areas. Use in bathrooms to avoid manual off condition for occupant as another person leaves.

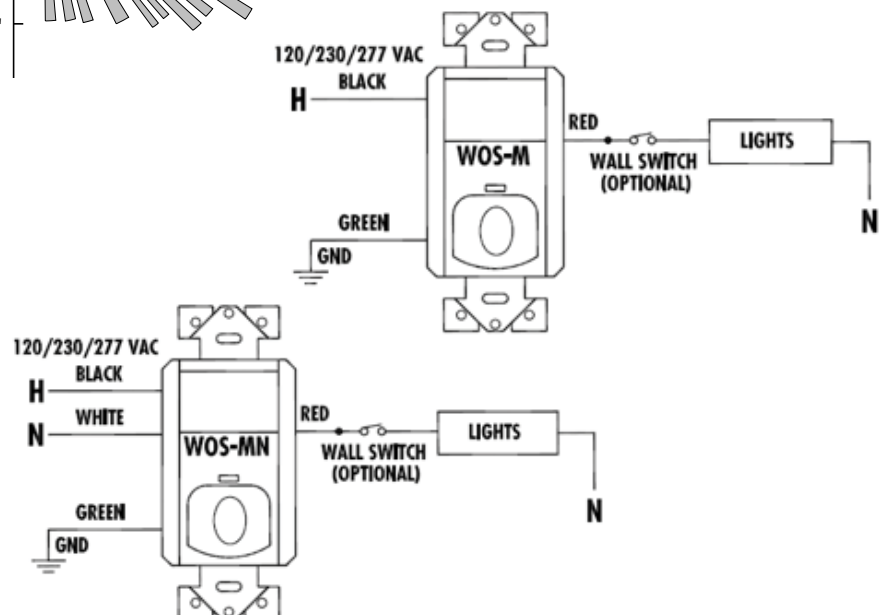
COVERAGE AREA: Preset for full coverage area. Optional half size area is selectable.

TEST MODE: Used for initial installation. Changes back to Auto mode within 30 minutes without resetting.

COLOR: White (single gang decorator wall plate included).



180° Field of View



WOS-M2R SERIES

PIR WALL SWITCH TWO RELAY OCCUPANCY SENSOR



ASHRAE 90.1



SPECIFICATIONS

VOLTAGE:
120/230/277VAC 50/60 Hz.

OPERATING TEMPERATURE:
32 °F to 131 °F (0 °C to 55 °C).

COVERAGE: 1200 sq. ft.

WARRANTY: 5 YRS.

CONTACT RATINGS:
120V 800W Tungsten.
120V 1000W Electronic Ballast & LED.
230V 1500W Electronic Ballast & LED.
277V 1800W Electronic Ballast & LED.
120V ¼ HP Motor.

APPLICATIONS



- Offices areas
- Meeting rooms
- Equipment room & storage spaces
- New construction & retrofit

FEATURES

SOFTWARE SET: Completely customizable functions through button push programming. Each relay can have different settings.

- **BATHROOM MODE:** set fan relay time delay longer than lighting relay.
- **TWO STEP LIGHT LEVEL:** set each relay to turn off at different daylighting levels
- **PUBLIC AREAS:** Disable one relay button manual OFF function. Use in bathrooms to avoid full off condition for occupant as another person leaves.

MODES: Four selectable modes: Automatic On/Off, Manual On (vacancy), energy saving Walk Through, or Test. Factory default setting is Automatic.

TIME DELAY: 6 steps settings 5, 10, 15, 20, 25, and 30 minutes. Factory default setting is 10 minutes.

DAYLIGHT PHOTOSENSOR: Optional light-level turn off from 5 to 200fc. Save energy if windows provide enough light.

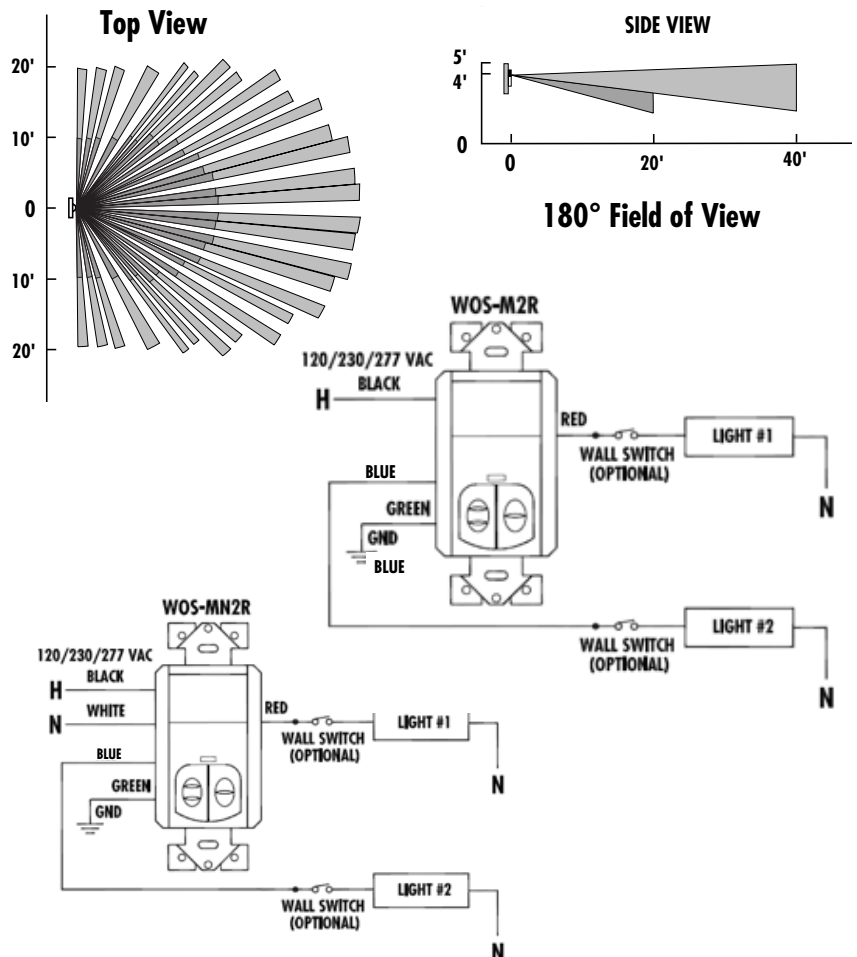
FLASH WARNING: Optional load flicker 2 minutes before Off.

TAMPER RESISTANT: Captive button, rugged lens, and optional disable button function for public areas.

COVERAGE AREA: Preset for full coverage area. Optional half size area is selectable.

TEST MODE: Used for initial installation. Changes back to Auto mode within 30 minutes without resetting.

COLOR: White (single gang decorator wall plate included).



CAT. NO.	UPC CODE	INPUT SUPPLY VAC 50/60Hz	WIRING
WOS-M2R	98221	120/230/277	No Neutral Required
WOS-MN2R	98219	120/230/277	Requires Neutral

WOS-MN2T SERIES

ULTRASONIC AND PIR WALL SWITCH OCCUPANCY SENSOR



ASHRAE 90.1



APPLICATIONS

- Offices areas
- Meeting rooms
- Equipment room & storage spaces
- New construction & retrofit

SPECIFICATIONS

VOLTAGE:

120/230/277VAC 50/60 Hz.

OPERATING TEMPERATURE:

32 °F to 131 °F (0 °C to 55 °C)

COVERAGE:

PIR 1200 sq. ft.

Ultra-Sonic 400 sq. ft.

WARRANTY: 5 YRS.

CONTACT RATINGS:

120V 800W Tungsten.

120V 1000W Electronic Ballast.

120V 5.8A LED.

230V 1500W Electronic Ballast.

277V 1800W Electronic Ballast.

120V ¼ HP Motor.

FEATURES

SOFTWARE SET: Completely customizable functions through button push programming. Each relay can have different settings.

- INITIAL ON: customize and set one technology only to trigger turn on.
- MAINTAIN ON: customize and set one technology to keep lights on.
- PUBLIC AREAS: Disable button manual OFF function. Use in bathrooms to avoid full off condition for occupant as another person leaves.

MODES: Four selectable modes: Automatic On/Off, Manual On (vacancy), energy saving Walk Through, or Test. Factory default setting is Automatic.

TIME DELAY: 6 steps settings 5, 10, 15, 20, 25, and 30 minutes. Factory default setting is 10 minutes.

DAYLIGHT PHOTOSENSOR: Optional light-level turn off from 5 to 200fc. Save energy if windows provide enough light.

FLASH WARNING: Optional load flicker 2 minutes before Off.

TAMPER RESISTANT: Captive button, rugged lens, and optional disable button function for public areas.

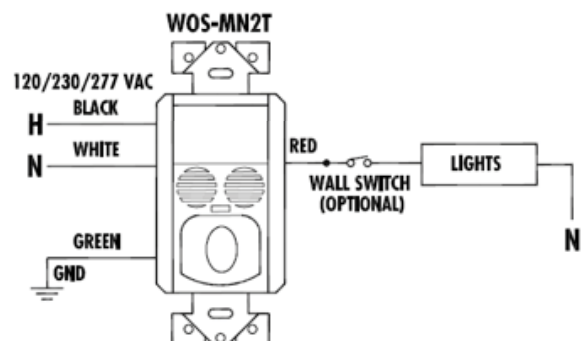
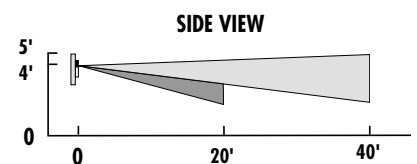
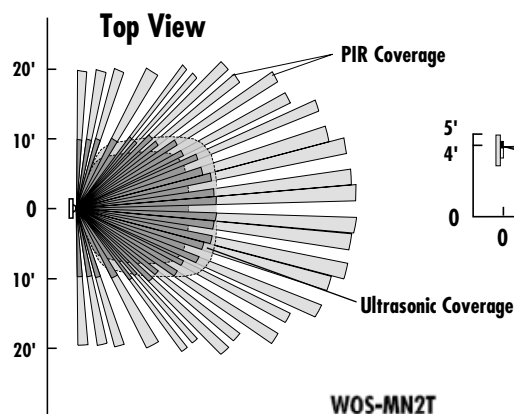
COVERAGE AREA: Preset for full coverage area. Optional half size area is selectable.

SENSOR CHOICES: Factory default setting allows either technology to trigger the unit. Optional is a disable function of one technology for initial and/or maintain on operations.

TEST MODE: Used for initial installation. Changes back to Auto mode within 30 minutes without resetting.

COLOR: White (single gang decorator wall plate included).

CAT. NO.	UPC CODE	INPUT SUPPLY VAC 50/60Hz	WIRING
WOS-MN2T	98223	120/230/277	Requires Neutral



COS-L2T SERIES

ULTRASONIC AND PIR
CEILING MOUNTING
OCCUPANCY SENSOR



ASHRAE 90.1

SPECIFICATIONS

VOLTAGE:
24VDC.

CURRENT CONSUMPTION:
9mA.

POWER SUPPLY:
TPR-24I or TRP-24B Power Packs
provided separately.

OPERATING TEMPERATURE:
32 °F to 131 °F (0 °C to 55 °C)

COVERAGE:
PIR 1200 sq. ft.
Ultra-Sonic 900 sq. ft.

WARRANTY: 5 YRS.

APPLICATIONS



- Large offices areas
- Larger meeting rooms
- Classrooms
- Bathroom & storage spaces

FEATURES

SOFTWARE SET: Completely customizable functions through button push programming.

- INITIAL ON: customize and set one technology only to trigger turn on.
- MAINTAIN ON: customize and set one technology to keep lights on.

MODES: Three selectable modes: Automatic On/Off, energy saving Walk Through, and Test. Factory default setting is Automatic.

TIME DELAY: 6 steps settings 5, 10, 15, 20, 25, and 30 minutes. Factory default setting is 10 minutes.

FLASH WARNING: Optional load flicker 2 minutes before Off.

COVERAGE AREA: Adjustable for three steps of sensitivity for ultrasonic and two steps for PIR.

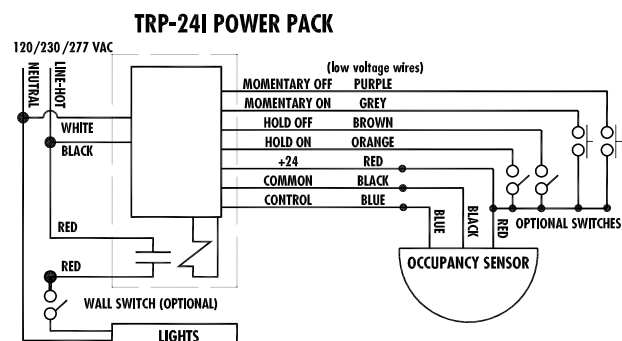
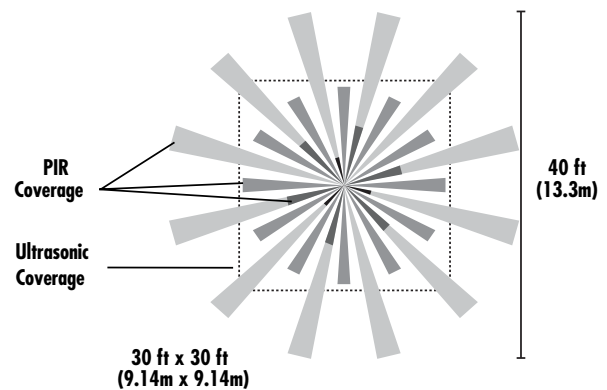
SENSOR CHOICES: Factory default setting allows either technology to trigger the unit. Optional disable function of one technology for initial and/or maintain on operations.

TEST MODE: Used for initial installation. Changes back to Auto mode within 30 minutes without resetting.

TRP OUTPUT: TRP series is required to power the COS-L2T. A maximum of six Tork occupancy sensors may be connected.

MOUNTING: Mounts direct to box or ceiling. Available is optional adapter for pendant or side mounting with 1/2" threaded nipple.

CAT. NO.	UPC CODE	INPUT SUPPLY	DESCRIPTION
COS-L2T	98207	24VDC	White
TRP-24I	98227	120/277VAC	Power Pack
COS-ADP	98229	1/2" pendant/side mounting adapter	



COS-L SERIES

PIR CEILING MOUNTING OCCUPANCY SENSOR



ASHRAE 90.1



APPLICATIONS

- Large offices areas
- Larger meeting rooms
- Classrooms
- Equipment room & storage spaces

FEATURES

SOFTWARE SET: Completely customizable functions through button push programming.

MODES: Three selectable modes: Automatic On/Off, energy saving Walk Through, and Test. Factory default setting is Automatic.

TIME DELAY: 6 steps settings 5, 10, 15, 20, 25, and 30 minutes. Factory default setting is 10 minutes.

FLASH WARNING: Optional load flicker 2 minutes before Off.

COVERAGE AREA: Preset for full coverage area. Optional half size area is selectable.

TEST MODE: Used for initial installation. Changes back to Auto mode within 30 minutes without resetting.

TRP OUTPUT: TRP series is required to power the COS-L. A maximum of six Tork occupancy sensors may be connected.

MOUNTING: Mounts direct to box or ceiling. Available is optional adapter for pendant or side mounting with 1/2" threaded nipple.

SPECIFICATIONS

VOLTAGE:
24VDC.

CURRENT CONSUMPTION:
9mA.

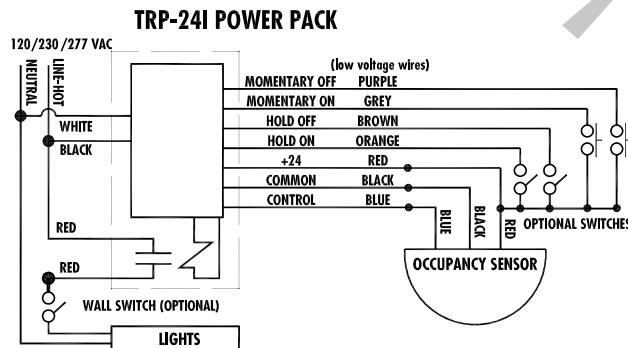
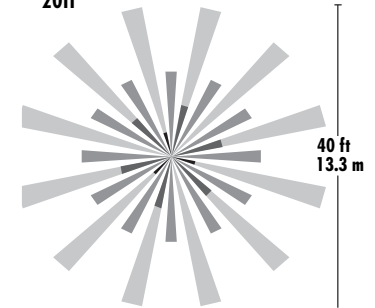
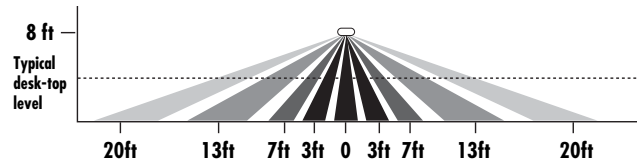
POWER SUPPLY:
TPR-24I or TRP-24B Power Packs provided separately.

OPERATING TEMPERATURE:
32 °F to 131 °F (0 °C to 55 °C).

COVERAGE: 1200 sq. ft.

WARRANTY: 5 YRS.

CAT. NO.	UPC CODE	INPUT SUPPLY	DESCRIPTION
COS-L	98203	24VDC	White
TRP-24I	98227	120/277VAC	Power Pack
COS-ADP	98229	1/2" pendant/side mounting adapter	



COS-LU SERIES

ULTRASONIC CEILING MOUNTING OCCUPANCY SENSOR



ASHRAE 90.1

SPECIFICATIONS

VOLTAGE:
24VDC.

CURRENT CONSUMPTION:
9mA.

POWER SUPPLY:
TPR-241 or TRP-24B Power Packs provided separately.

OPERATING TEMPERATURE:
32 °F to 131 °F (0 °C to 55 °C).

COVERAGE: 900 sq. ft.

WARRANTY: 5 YRS.

APPLICATIONS



- Large offices areas
- Larger meeting rooms
- Classrooms
- Bathroom & storage spaces

FEATURES

SOFTWARE SET: Completely customizable functions through button push programming.

MODES: Three selectable modes: Automatic On/Off, energy saving Walk Through, and Test. Factory default setting is Automatic.

TIME DELAY: 6 steps settings 5, 10, 15, 20, 25, and 30 minutes. Factory default setting is 10 minutes.

FLASH WARNING: Optional load flicker 2 minutes before Off.

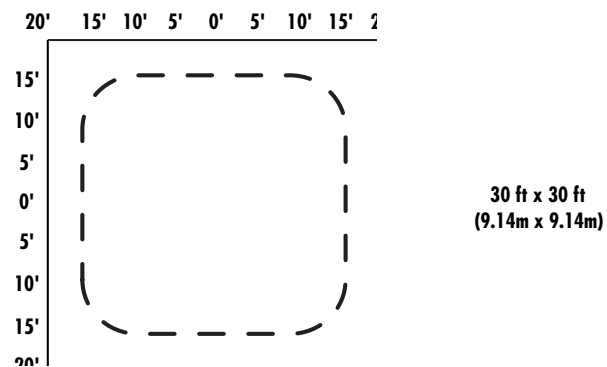
COVERAGE AREA: Adjustable for three steps of sensitivity.

TEST MODE: Used for initial installation. Changes back to Auto mode within 30 minutes without resetting.

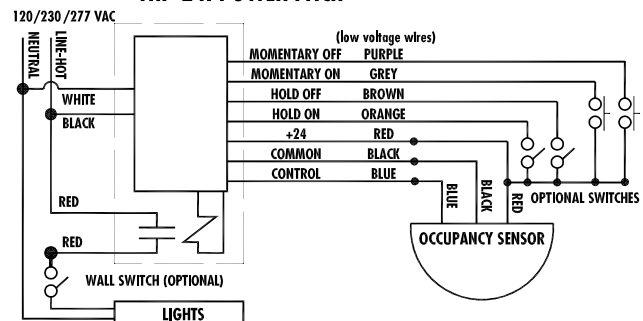
TRP OUTPUT: TRP series is required to power the COS-LU. A maximum of six Tork occupancy sensors may be connected.

MOUNTING: Mounts direct to box or ceiling. Available is optional adapter for pendant or side mounting with 1/2" threaded nipple.

CAT. NO.	UPC CODE	INPUT SUPPLY	DESCRIPTION
COS-LU	98205	24VDC	White
TRP-241	98227	120/277VAC	Power Pack
COS-ADP	98229	1/2" pendant/side mounting adapter	



TRP-241 POWER PACK



COS-M SERIES

PIR CEILING MOUNTING LINE VOLTAGE OCCUPANCY SENSOR



ASHRAE 90.1



SPECIFICATIONS

VOLTAGE:
120/230/277VAC 50/60Hz.

POWER SUPPLY:
Built-in.

OPERATING TEMPERATURE:
32 °F to 131 °F (0 °C to 55 °C).

COVERAGE: 1200 sq. ft.

WARRANTY: 5 YRS.

CONTACT RATINGS:
120V 800W Tungsten.
120V 1000W Electronic Ballast & LED.
230V 1500W Electronic Ballast & LED.
277V 1800W Electronic Ballast & LED.
120V ¼ HP Motor.

APPLICATIONS



- Large offices areas
- Larger meeting rooms
- Classrooms
- Equipment room & storage spaces

FEATURES

SOFTWARE SET: Completely customizable functions through button push programming.

MODES: Three selectable modes: Automatic On/Off, energy saving Walk Through, and Test. Factory default setting is Automatic.

TIME DELAY: 6 steps settings 5, 10, 15, 20, 25, and 30 minutes. Factory default setting is 10 minutes.

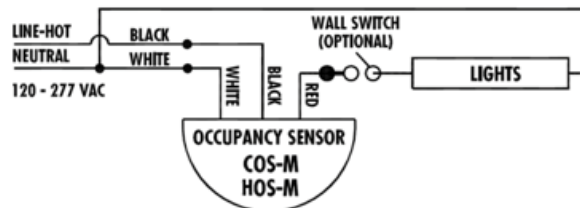
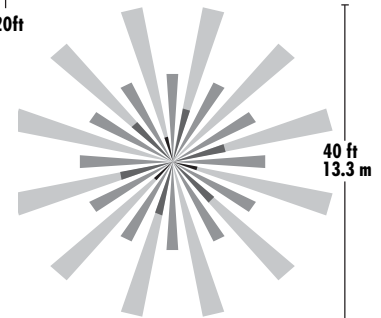
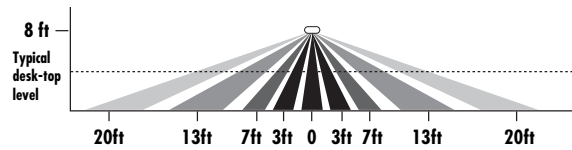
FLASH WARNING: Optional load flicker 2 minutes before Off.

COVERAGE AREA: Preset for full coverage area. Optional half size area is selectable.

TEST MODE: Used for initial installation. Changes back to Auto mode within 30 minutes without resetting.

MOUNTING: Mounts direct to a box. Available is optional adapter for pendant or side mounting with ½" threaded nipple.

CAT. NO.	UPC CODE	INPUT SUPPLY (VAC)	DESCRIPTION
COS-M	98201	120/230/277	White
COS-ADP	98229	1/2" pendant/side mounting adapter	



HOS-M SERIES

HIGH BAY PIR MOUNTING LINE VOLTAGE OCCUPANCY SENSOR



ASHRAE 90.1



SPECIFICATIONS

VOLTAGE:
120/230/277VAC 50/60Hz.

POWER SUPPLY:
Built-in.

OPERATING TEMPERATURE:
32 °F to 131 °F (0 °C to 55 °C).

COVERAGE: 1000 sq. ft.

WARRANTY: 5 YRS.

CONTACT RATINGS:
120V 800W Tungsten.
120V 1000W Electronic Ballast & LED.
230V 1500W Electronic Ballast & LED.
277V 1800W Electronic Ballast & LED.
120V ¼ HP Motor.

APPLICATIONS



- Warehouse
- Tall aisle
- High ceiling equipment room & storage spaces

FEATURES

SOFTWARE SET: Completely customizable functions through button push programming.

MODES: Three selectable modes: Automatic On/Off, energy saving Walk Through, and Test. Factory default setting is Automatic.

TIME DELAY: 6 steps settings 5, 10, 15, 20, 25, and 30 minutes. Factory default setting is 10 minutes.

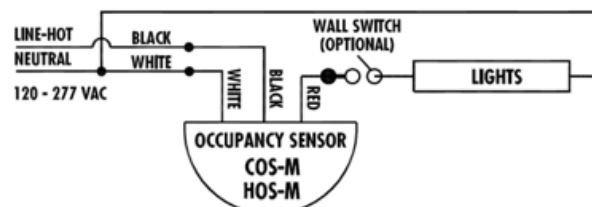
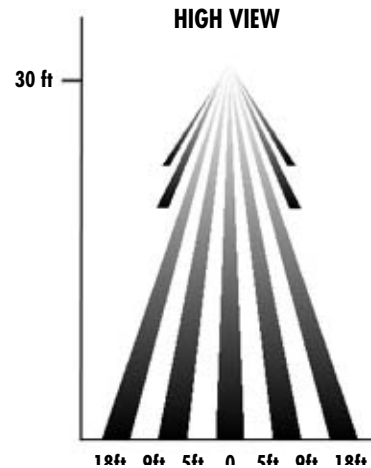
FLASH WARNING: Optional load flicker 2 minutes before Off.

COVERAGE AREA: Preset for full coverage area. Optional half size area is selectable.

TEST MODE: Used for initial installation. Changes back to Auto mode within 30 minutes without resetting.

MOUNTING: Includes as standard an adapter for pendant or side mounting with ½" threaded nipple. Also mounts direct to box or ceiling.

CAT. NO.	UPC CODE	INPUT SUPPLY (VAC)	DESCRIPTION
HOS-M	98209	120/230/277	White



CPS-L SERIES

CEILING MOUNTING PHOTO SENSOR



ASHRAE 90.1



APPLICATIONS

- Side window areas of offices
- Spaces with skylights
- Classrooms

SPECIFICATIONS

VOLTAGE:
24VDC.

CURRENT CONSUMPTION:
9mA.

POWER SUPPLY:
TPR-24B Power Packs provided separately.

OPERATING TEMPERATURE:
32 °F to 131 °F (0 °C to 55 °C).

WARRANTY: 5 YRS.

FEATURES

SOFTWARE SET: Completely customizable functions through button push programming.

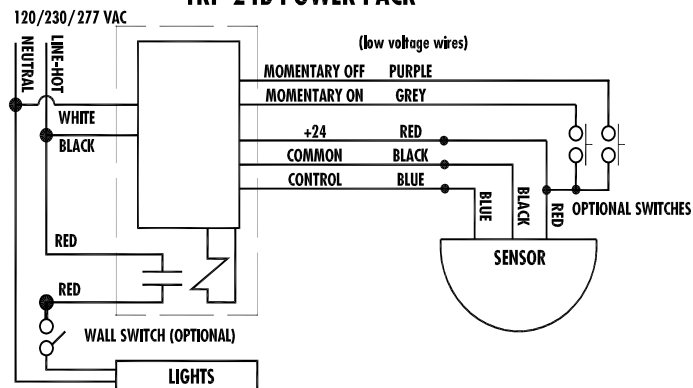
LIGHT LEVEL SETTING: Light level between 5 to 200 fc.

TRP OUTPUT: TRP series is required to power the CPS-L. A maximum of 12 Tork power packs may be connected.

MOUNTING: Mounts direct to box or ceiling. Available is optional adapter for pendant or side mounting with 1/2" threaded nipple.

CAT. NO.	UPC CODE	INPUT SUPPLY	DESCRIPTION
CPS-L	98211	24VDC	White
TRP-24B	98225	120/277VAC	Power Pack
COS-ADP	98229	1/2" pendant/side mounting adapter	

TRP-24B POWER PACK



TRP-24 SERIES

POWER PACK FOR OCCUPANCY SENSORS



ASHRAE 90.1

SPECIFICATIONS

VOLTAGE:
120/230/277VAC 50/60Hz.

OPERATING TEMPERATURE:
32 °F to 131 °F (0 °C to 55 °C).

WARRANTY: 5 YRS.

CONTACT RATINGS:
120V 15A Incandescent.
120/230/277V 20A Ballast.
120V 1 HP Motor.

APPLICATIONS



- Power and switching for occupancy or light sensors
- Power and switching for SS410 auto-off switch
- BAS compatible
- Demand shedding applications
- Low cost momentary switching of loads

FEATURES

OPERATION: Switches line voltage loads ON/OFF based on a contact closure from an occupancy sensor, AUTO OFF switch, or relay.

SENSOR CONTROL: Three wires for typical device control. Red and black wires for 24VDC output to power a device. Blue control wire to receive ON/OFF signal back from device.

TRP-24B INPUT: Two additional input wires to control TRP.

1. ON from momentary switch.
2. OFF from momentary switch.

TRP-24I INPUT: Four additional input wires to control TRP.

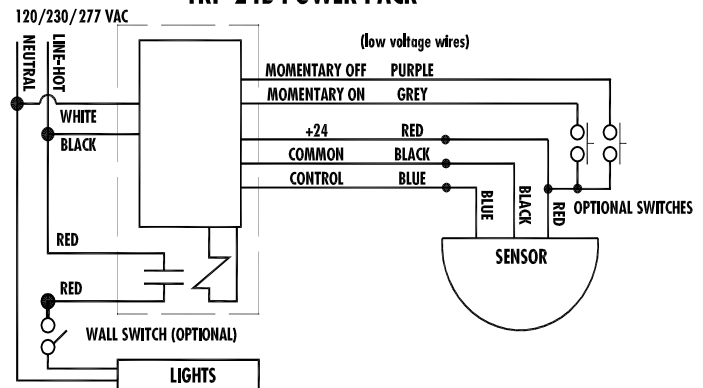
1. Hold OFF for demand shed control.
2. Hold ON override.
3. ON from momentary switch.
4. OFF from momentary switch.

TRP OUTPUT: TRP series is a Class 2 Power Supply with 150mA output. A maximum of six Tork COS-L type occupancy sensors may be connected.

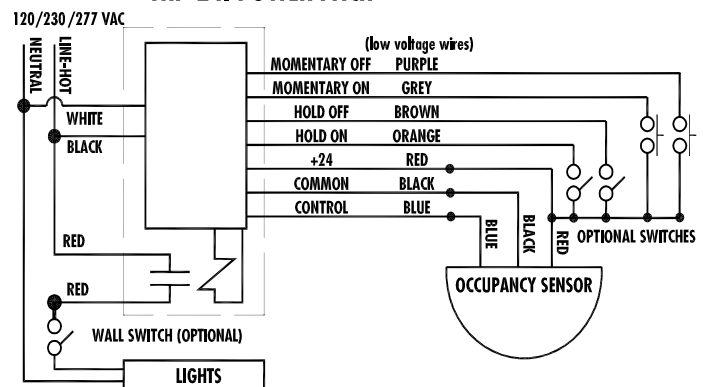
MOUNTING: Box mount to 1/2" KO.

CAT. NO.	UPC CODE	INPUT SUPPLY VAC 50/60Hz	OUTPUT CONTACTS
TRP-24B	98225	120/230/277	SPST
TRP-24I	98227	120/230/277	SPST
LCS115M	82082	Momentary Switch SPST	

TRP-24B POWER PACK



TRP-24I POWER PACK









TORK® IN-WALL TIME SWITCHES

QUICK REFERENCE GUIDE

	SS700Z	SS721Z	SS720A	SS720Z	SA170	701A 711A
Page No.	509	509	511	512	513	514
Timer Type	SunSet 7 Day Digital	SunSet 7 Day Digital	7 Day Digital	SunSet 7 Day Digital	ZipSet Digital	24 Hour Mechanical
Voltage	120/277	120/277	120	120	120	120
Minimum Settings	ON	1 min.	1 min.	1 min.	1 min.	30 min.
	OFF	1 min.	1 min.	1 min.	1 min.	30 min.
Manual Override	Yes	Yes	Yes	Yes	Yes	Yes
 SunSet (Astronomic)	Yes	Yes		Yes	ZipSet	
ON/OFF Set Points	10 Pair	10 Pair	7 Pair	7 Pair	1 Pair	24
Flash Warning						
Audible Warning						
Power Outage Backup	Capacitor	Capacitor	Battery	Battery	Battery	
Switch Type	SPST	SPST	SPST	SPST	SPST	SPST
Resistive Ratings	16A	16A	15A	15A	15A	15 & 20A
 LED Ratings	10A	10A				
Neutral Required for Wiring	No	Yes	Yes	Yes	Yes	Yes
3-Way Wiring	Yes	Yes	No	No	No	No

SS403	SS423	SS410	SS	D1060 D212	A	C
515	515	515	517	518	519	520
Auto OFF Digital	Auto OFF Digital	Auto OFF Digital	Auto OFF Electronic	Auto OFF Electronic	Auto OFF Mechanical	Auto OFF Mechanical
120/277	120/277	24	24/120/ 208-240/277	120	125/250/ 277	125/250/ 277
5 min-24 hr	5 min-24 hr	5 min-24 hr	1 min-18 hr	10-60 min. 2-12 hr	Various 2 min-12 hr	Various 2 min-12 hr
5 min.	5 min.	5 min.	1 min.	10 min.		
Yes	Yes	Yes	Yes			
Yes	Yes	Yes	Yes			
SPST	SPST	SPDT	SPST or SPDT	SPST	SPDT	SPDT or DPST
15A	15A	1A	4A or 7.5A	15A	20/10/10A	20/10/10A
1200W	1200W					
No	Yes	Yes	No	Yes	No	No
Yes	Yes	Yes	SS13 Yes	No	No	No

TORK® SS700Z & SS721Z

SunSet IN-WALL TIMER SUNSET / SUNRISE / 7 DAY



ASHRAE 90.1



With wall plate
(not included)

**BACK-UP
WITHOUT
BATTERIES!**

APPLICATIONS

- Commercial outdoor security lighting
- Interior lobby lighting
- Contactors for fans and motors
- Sign lighting

SPECIFICATIONS

TIMING ACCURACY: Line frequency.

INPUT VOLTAGE: 120/277VAC, 50/60Hz.

WIRE SIZE: #12AWG input/output - #16AWG 3-way (remote).

OPERATING TEMPERATURE: 32 °F to +104 °F (0 °C to + 40 °C).

FEATURES

SCHEDULING: 10 ON and OFF pairs of set points for individual programs on each day of the week. 11 day groups speed programming. Minimum setting is 1 minute.

SunSet ASTRONOMIC: Adjusts daily to changes in sunset times. Sunset and sunrise times are adjustable from 10°-60° Northern or Southern latitudes. Can be individually offset +/- 1-240 minutes for earlier or later operation.

RANDOM MODE: Varies ON and OFF times to create lived in look when away.

DAYLIGHT SAVING: Automatic adjustment (can be omitted).

LEAP YEAR: Automatic Compensation.

MANUAL OVERRIDE: Until the next regularly scheduled ON or OFF, automatic operation then resumes.

MANUAL MODE: Does not run programs until set to AUTO (automatic) mode.

VACATION MODE: No operation when away.

EASY WIRING:

SS700Z does not require a neutral, can be used as a 3-way switch.

SS721Z Requires a neutral, can be used as a 3-way switch.

CLOCK FORMAT: AM/PM.

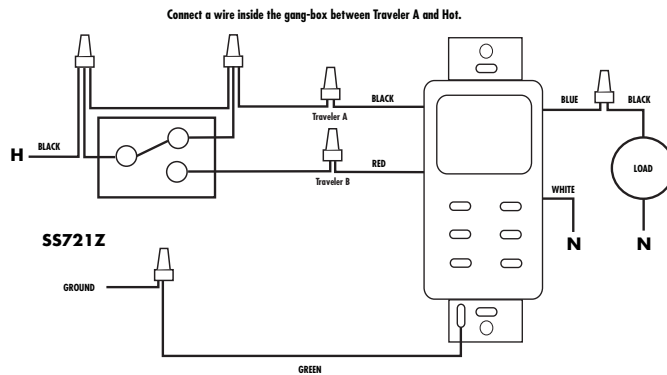
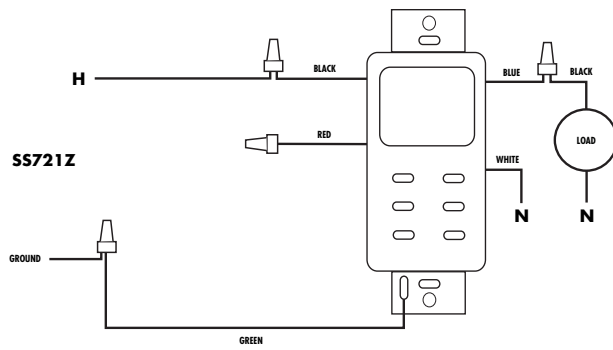
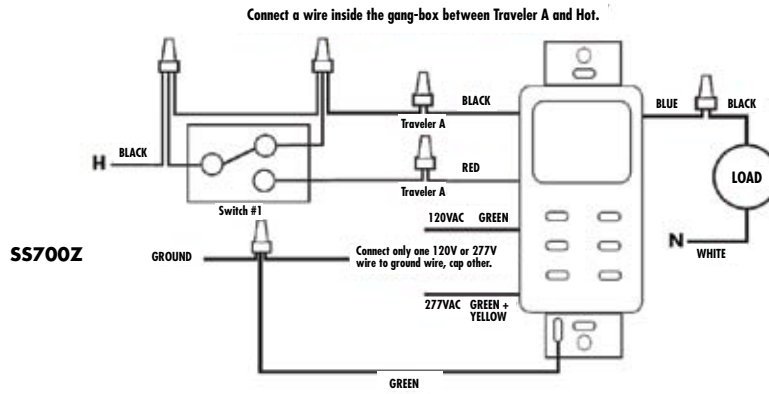
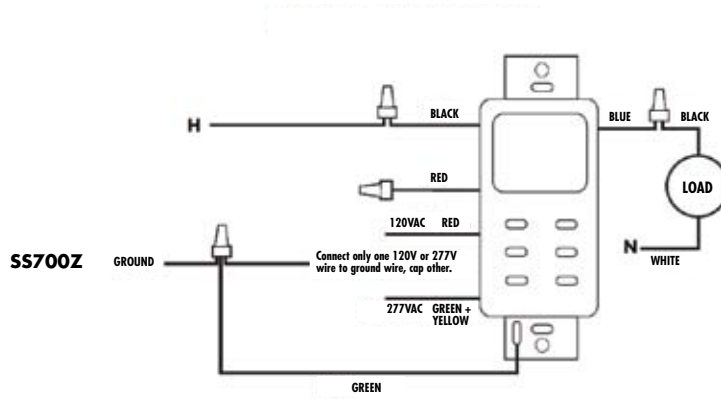
POWER OUTAGE BACKUP: Permanent schedule retention. Supercapacitor provides 2 days of real time backup.

COMMERCIAL GRADE SPECS: Control lighting contactors and 277VAC loads. Compatible with CFL lamps.

FULL SWITCHING: No minimum load requirement.

CAT. NO.	UPC CODE	INPUT SUPPLY (VAC) 50/60 Hz	SWITCH TYPE	COLOR
SS700Z	14019	120/277	SPST	White
SS700ZA	14020	120/277	SPST	Light Almond
SS721Z	14027	120/277	SPST	White
SS721ZA	14028	120/277	SPST	Light Almond

TYPE	SS700Z SERIES		SS721Z SERIES RATINGS
	RATING	VOLTAGE (VAC)	
Resistive	16A	120-277	16A
Ballast	10A	120-277	13A
LED Driver	10A	120-277	10A
Tungsten	8A	120	8A
Pilot Duty	360VA	120	720VA
Motor	1/2HP	120	1/2HP



SS720A SERIES

7 DAY IN-WALL RESIDENTIAL TIMER



APPLICATIONS

- Residential interior lights
- Random for lived-in look
- Small fans and motors
- Appliances

FEATURES

SCHEDULING: 7 ON and OFF pairs of set points for individual programs on each day of the week. Minimum setting is 1 minute.

RANDOM MODE: Varies ON and OFF times to create "lived in" look when away.

DAYLIGHT SAVING: Manual button push for one hour adjustment.

MANUAL OVERRIDE: Until the next regularly scheduled ON or OFF, automatic operation then resumes.

WIRING: Requires a neutral.

CLOCK FORMAT: AM/PM.

POWER OUTAGE BACKUP: Rechargeable Ni-Cad battery retains time and schedule.

WALL PLATE: Supplied with standard single gang decorator wall plate.

SPECIFICATIONS

TIMING ACCURACY: +/- 1 minute/month

INPUT VOLTAGE: 125VAC, 60Hz.

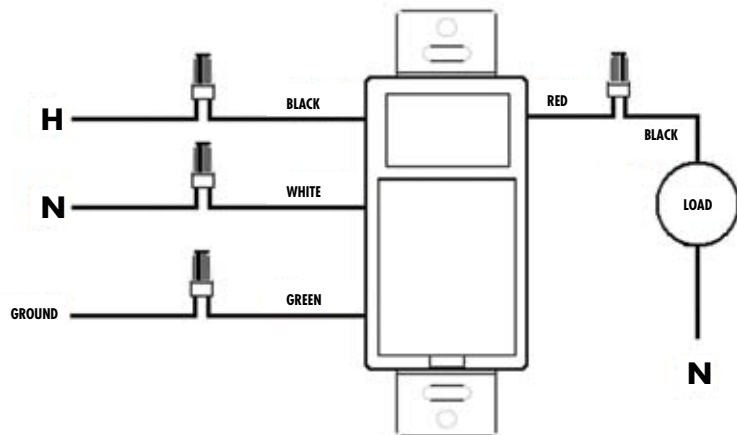
WIRE SIZE: #14AWG.

OPERATING TEMPERATURE: 32 °F to +104 °F (0 °C to +40 °C).

CAT. NO.	UPC CODE	INPUT SUPPLY (VAC) 60 Hz	COLOR
SS720A	14017	120	White
SS720AA	14018	120	Light Almond

TYPE	VOLTAGE (VAC)	RATING
General Purpose	120	15A
Resistive	120	15A
Tungsten	120	15A
Motor	120	1HP
Electronic Ballast	120	500VA

SS720A SERIES



SS720Z

SunSet IN-WALL RESIDENTIAL TIMER SUNSET / SUNRISE / 7 DAY



SPECIFICATIONS

TIMING ACCURACY: +/- 1 minute/month

INPUT VOLTAGE: 120VAC, 60Hz.

WIRE SIZE: #14AWG

OPERATING TEMPERATURE: 32 °F to +104 °F (0 °C to + 40 °C).

APPLICATIONS

- Residential Interior lights
- Small fans and motors
- Appliances



FEATURES

SCHEDULING: 7 ON and OFF pairs of set points for individual programs on each day of the week. Minimum setting is 1 minute.

SunSet ASTRONOMIC: Adjusts daily to changes in sunset times. Sunset and sunrise times with five zones: North USA/Southern Canada, Central USA, South USA, Northern Canada/Alaska, and Hawaii/Puerto Rico.

RANDOM MODE: Varies ON and OFF times to create "lived in" look when away.

DAYLIGHT SAVING: Automatic adjustment (can be omitted).

LEAP YEAR: Automatic Compensation.

MANUAL OVERRIDE: Until the next regularly scheduled ON or OFF, automatic operation then resumes.

WIRING: Requires a neutral.

CLOCK FORMAT: AM/PM.

POWER OUTAGE BACKUP: Rechargeable Ni-Cad battery retains time and schedule.

WALL PLATE: Supplied with standard single gang decorator wall plate.

CAT. NO.	UPC CODE	INPUT SUPPLY (VAC) 60 Hz	COLOR
----------	----------	--------------------------	-------

SS720Z	14023	120	White
--------	-------	-----	-------

TYPE	VOLTAGE (VAC)	RATING
------	---------------	--------

General Purpose	120	15A
-----------------	-----	-----

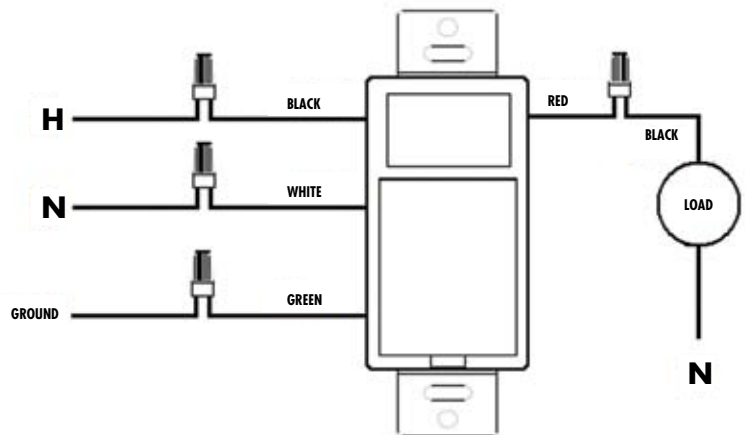
Resistive	120	15A
-----------	-----	-----

Tungsten	120	960W
----------	-----	------

Motor	120	½HP
-------	-----	-----

Electronic Ballast	120	500VA
--------------------	-----	-------

SS720Z



SA170 SERIES

Zip-Set™ IN-WALL
RESIDENTIAL TIMER
SUNSET / TIME OFF



*Wall plate not included

SPECIFICATIONS

TIMING ACCURACY: +/- 1 minute/month

INPUT VOLTAGE: 120VAC, 60Hz.

WIRE SIZE: #14AWG.

OPERATING TEMPERATURE: 32 °F to +104 °F (0 °C to +40 °C).

APPLICATIONS



- Residential Exterior lights
- Small fans and motors
- Appliances

FEATURES

Zip-Set™ factory preset time. Just enter area code and it finds correct time and sunset time.

SCHEDULING: One On/Off set point pair is active at a time. Schedule 1, Schedule 2, a combination of 1 & 2, or ZipSet™. Day combinations for 7-5-2 speed programming.

RANDOM MODE: Varies ON and OFF times to create "lived in" look when away.

COUNTDOWN: Button press turns lights ON and starts a 5 minute countdown to OFF.

DAYLIGHT SAVING: Manual button push for one hour adjustment.

MANUAL OVERRIDE: Until the next regularly scheduled ON or OFF, automatic operation then resumes.

WIRING: Requires a neutral.

CLOCK FORMAT: AM/PM.

POWER OUTAGE BACKUP: Lithium batteries retain time and schedule.

CAT. NO.	UPC CODE	INPUT SUPPLY (VAC) 60 Hz	COLOR
----------	----------	--------------------------	-------



SA170	16528	120	White
-------	-------	-----	-------

TYPE	VOLTAGE (VAC)	RATING
------	---------------	--------

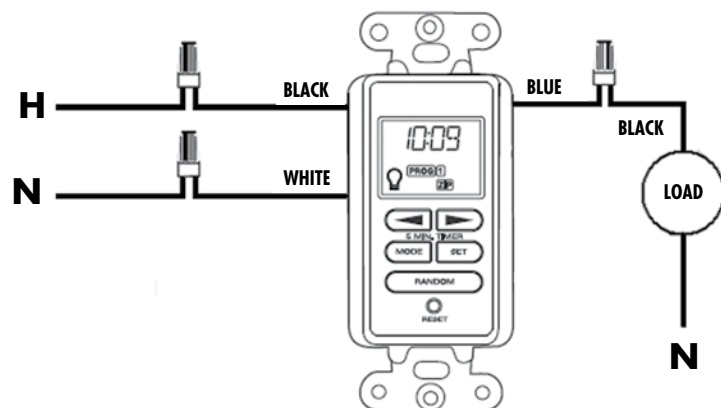
Resistive	120	15A
-----------	-----	-----

Inductive	120	15A
-----------	-----	-----

Tungsten	120	5A
----------	-----	----

Motor	120	1/2 HP
-------	-----	--------

SA170 SERIES



701A & 711A SERIES

24 HOUR
IN-WALL TIMER



SPECIFICATIONS

INPUT VOLTAGE: 125VAC, 60Hz.

WIRE SIZE: #14AWG.

OPERATING TEMPERATURE:
32 °F to +104 °F (0 °C to +40 °C).

APPLICATIONS

- Porch or patio
- Doorway
- Pool
- Outdoor security lighting



FEATURES

SCHEDULING: Minimum ON setting is 30 minutes. Dial has 48 captive trippers.

BYPASS SWITCH: Slide switch for ON, OFF, or TIMER (automatic) operation.

VACATION MODE: Set timer OFF with no change of tripper settings.

WIRING: Requires a neutral.

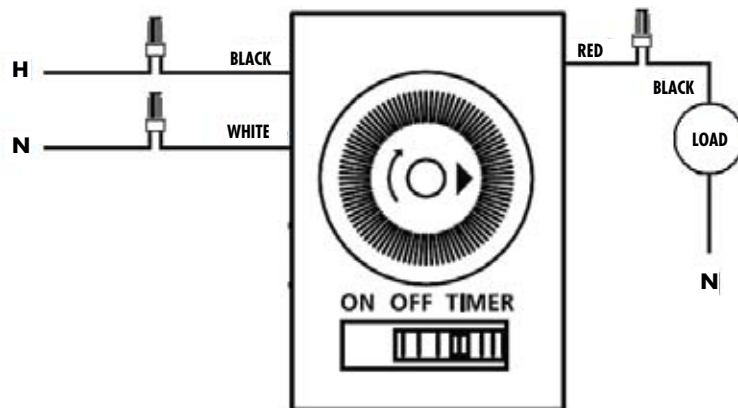
CLOCK FORMAT: AM/PM marked on dial.

WALL PLATE: Supplied with single gang wallplate.

CAT. NO.	UPC CODE	INPUT SUPPLY (VAC) 60 Hz	COLOR
701A	10113	125	White
701AA	10118	125	Light Almond
711A	10114	125	White

TYPE	VOLTAGE (VAC)	RATING	
		701A SERIES	711A SERIES
General Purpose	125	20A	15A
Resistive	125	20A	15A
Tungsten	125	1500W	1250W
Motor	125	1 HP	1/2 HP
Electronic Ballast	125	500VA	-

701A & 711A



SS400 SERIES DIGITAL AUTO OFF IN-WALL TIMER



CALIFORNIA Title 24

ASHRAE 90.1



PROGRAMMABLE!

APPLICATIONS



- Offices, meeting rooms
- Energy code timed override
- Exhaust fans
- Equipment room and storage spaces

SS400 Series
*Wall plate included

SPECIFICATIONS

TIMING ACCURACY: Line Frequency

INPUT VOLTAGE: SS403/SS423 – 120/230/277VAC 50/60 Hz
SS410 – 24VDC OR 24VAC 50/60 Hz

WIRE SIZE: SS403/SS423 – #14AWG input/output - #16AWG 3-way (remote)
SS410 – #18AWG

OPERATING TEMPERATURE: 32 °F to +104 °F (0 °C to + 40 °C)

WARRANTY: 5 Yrs.

FEATURES

WIRING CHOICES:

- SS403 – no neutral for retrofit
- SS423 – with neutral for new construction
- SS410 – multiple circuits with power packs – low voltage for class 2 wiring

ENERGY CODE PRESET: 2 hour timing for Title 24 and IECC (default). 4 hour timing for ASHRAE 90.1 (with quick dip switch adjustment)

PROGRAMMABLE: 5 minutes to 24 hour: 5 minute steps from 5 minutes to 1 hour. 10 minute steps from 1 to 4 hours. 30 minute steps from 4 to 12 hours. 1 hour steps from 12 to 24 hours.

SCROLL LOCK: Limits user adjustment to a maximum equal to the preset time.

FLASH WARNING: Optional one second flicker turns load off/on 2 minutes before end of time cycle.

BEEPER WARNING: Optional beep will sound every 15 seconds during the last 2 minutes of the time cycle.

TAMPER RESISTANT: Wall plate locks access to dip switch adjustments.

MANUAL OPERATION: Start or stop countdown from timer or remote switch.

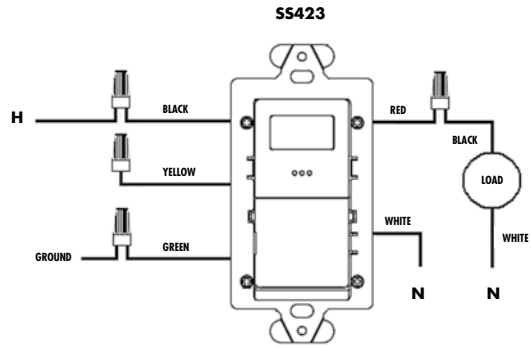
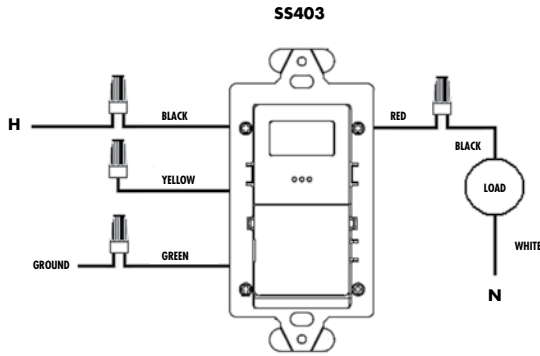
THREE-WAY & MULTI-WAY: Three-way compatible with existing switch. Multi-way requires momentary switches at the additional locations. Maximum distance 100 feet.

DISPLAY: Backlit LCD Display.

COLOR: White (single gang decorator wall plate included).

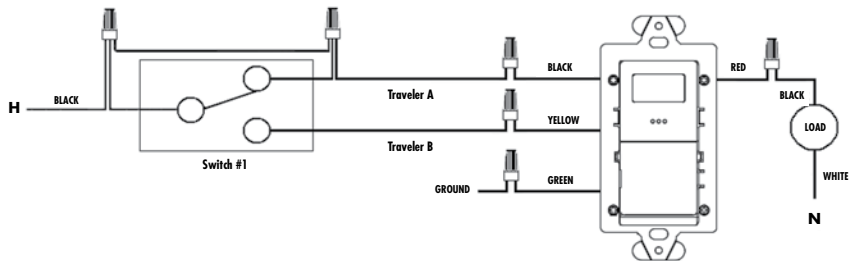
CAT. NO.	UPC CODE	INPUT SUPPLY (VAC) 50/60 Hz	SWITCH TYPE	COLOR
SS403	14029	120/230/277	SPST	White
SS423	14030	120/230/277	SPST	White
SS410	14033	24VDC or 24VAC	SPDT	White

TYPE	VOLTAGE	SS403 RATING	VOLTAGE (VAC)	SS423 RATING
Resistive	120-277VAC	15A	120-277	15A
Ballast	120-277VAC	10A	120-277	13A
LED Lamp Driver	120-277VAC	1200W	120-277	1200W
Tungsten	120VAC	8A	120	8A
Pilot Duty	120VAC	360VA	120-277	720VA
Motor	120VAC	1/4HP	120-277	1HP
SS410				
VOLTAGE	RATING	VOLTAGE (VAC)		RATING
28VDC	.5A Max	24		1A Max
Minimum Load 1ma @ 5V				



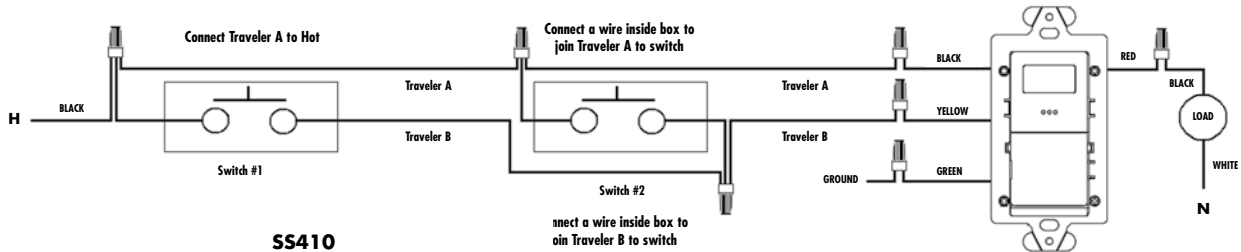
SS403 Wiring for 3-Way

Connect a wire inside the gang-box between Traveler A and Hot.

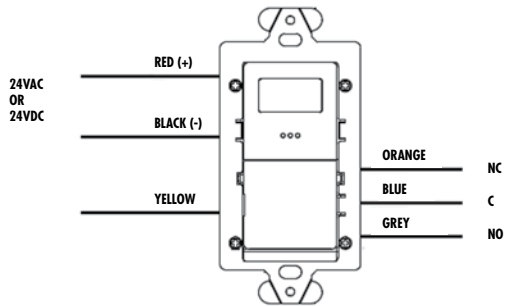


SS403 Wiring for 4-Way

Use momentary switches at all additional locations.
TORK #LCS115M

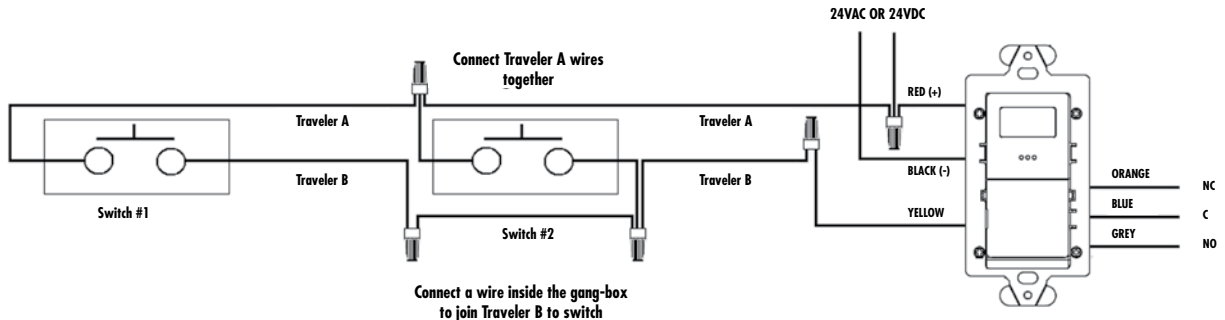


SS410



SS410 Wiring for 4-Way

Use momentary switches at all additional locations.
TORK #LCS115M



SS SERIES

AUTO OFF IN-WALL TIMER



SPECIFICATIONS

TIMING ACCURACY:
±5% @ 60° to 80°F.

INPUT VOLTAGE:
24/120/208-240/277VAC, 50/60Hz.

WIRE SIZE: #18AWG.

OPERATING TEMPERATURE:
0 °F to +100 °F (-17 °C to +37 °C).

APPLICATIONS



- Bathroom fans and lights
- Indoor/Outdoor lighting
- Storage areas
- Hospitality areas

FEATURES

VARIABLE TIMING: Choose from 1 minute to 18 hours.

FLASH WARNING: "F" suffix models with flicker feature turns load off for 1/2 second, 2 minutes before end of timed cycle and again 1 minute before end of timed cycle.

AUDIBLE WARNING: "B" suffix model will buzz that every 12 seconds during the last 2 minutes of timed cycle.

TAMPER RESISTANT: Time ON interval preset is hidden behind wall plate.

EASY SET: Small screw driver adjustment provides quick set-up of timing.

EASY WIRING: No neutral needed, great for retrofit.

3-WAY: SS13 SERIES replaces standard 3-way switch with no re-wiring.

COLOR: White.

CAT. NO.	UPC CODE	INPUT SUPPLY (VAC) 50/60Hz	WARNING BEFORE TIME OUT	SWITCH TYPE
SS20	14005	24/120/208-240/277	None	Single pole
SS20F	14008	24/120/208-240/277	*Flicker	Single pole
SS13F	14007	24/120/208-240/277	*Flicker	3-way
SS13B	14006	24/120/208-240/277	**Beep	3-way

*Flicker feature turns load OFF for 1/2 second, 2 minutes before end of timed cycle and again 1 minute before end of timed cycle.

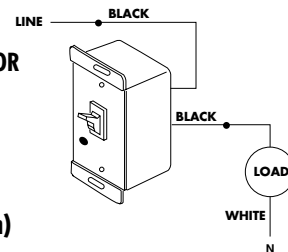
**Beep feature will begin a 1/2 second audible warning every 12 seconds during the last 2 minutes of timed cycle.

TYPE	CONTACT RATINGS	MINIMUM LOAD	
		VOLTS	WATTS
SS13F & SS13B	.25-4.0A Resistive	24	6
	.25-4.0A Ballast*	120	30
	.25-4.0A Tungsten	208	50
	1/8 HP @ 120VAC	240	60
	1/3 HP @ 240VAC	277	70
SS20 & SS20F	.50-7.25A Resistive	24	12
	.50-7.25A Ballast*	120	60
	.50-4.0A Tungsten	208	105
	1/6 HP @ 120VAC	240	120
	1/2 HP @ 240VAC	277	150

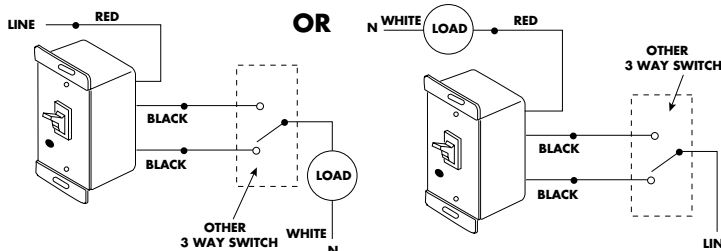
*Not compatible with compact fluorescent lamps (CFL) and electronic fluorescent ballasts.

SS SERIES

TYPICAL WIRING FOR 120 VAC SINGLE POLE



TYPICAL WIRING FOR 120 VAC – 3 WAY (Red is common)



D SERIES

ELECTRONIC AUTO OFF IN-WALL TIMER



SPECIFICATIONS

TIMING ACCURACY: Line voltage.

INPUT VOLTAGE: 120VAC, 60Hz.

WIRE SIZE: #14AWG.

OPERATING TEMPERATURE:
32 °F to 122 °F (0 °C to 50 °C).

APPLICATIONS

- Whole house fans
- Indoor/Outdoor lighting
- Bathroom fans and lights
- Self storage



FEATURES

VARIABLE TIMING:

Button push changes time ON setting.

D1060M: 10, 20, 30, 60 minute.

D212H: 2, 4, 8, 12 hour.

LED DISPLAY: Indicator moves to new range as timer counts down.

TAMPER RESISTANT: Time ON interval preset.

EASY SET: No adjustments, just wire and go!

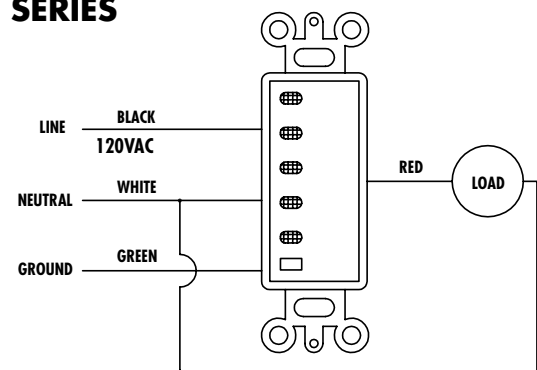
WIRING: Requires a neutral.

THREE COLORS: Ivory, Light Almond, White.

CAT. NO.	UPC CODE	INPUT SUPPLY (VAC) 60Hz	TIME SETTINGS	OUTPUT CONTACTS
D212H	14021	120	Ivory	2, 4, 8, 12 HOURS
D212HA	14022	120	Light Almond	2, 4, 8, 12 HOURS
D212HW	14023	120	White	2, 4, 8, 12 HOURS
D1060M	14025	120	Ivory	10, 20, 30, 60 MINUTES
D1060LA	14024	120	Light Almond	10, 20, 30, 60 MINUTES
D1060MW	14025	120	White	10, 20, 30, 60 MINUTES

TYPE	VOLTAGE (VAC)	RATING
General Purpose	120	15A
Resistive	120	1000W
Tungsten	120	1000W
Motor	120	1/4 HP
Ballast	120	1000VA

D SERIES



A SERIES SPRINGWOUND AUTO OFF IN-WALL TIMER



NEW!
SPDT, 2 IN 1
CONTACTS

SPECIFICATIONS

INPUT VOLTAGE:
125/250/277VAC, 50/60Hz.

TERMINAL SIZE: #12AWG.

OPERATING TEMPERATURE:
32 °F to 122 °F (0 °C to 50 °C).

APPLICATIONS



- Whole house fans
- Indoor/Outdoor lighting
- Bathroom fans and lights
- Self storage

*Wallplate not included

FEATURES

VARIABLE TIMING: Twist knob for time ON setting. Time ON lengths from 15 minutes to 12 hour vary by model.

HOLD FEATURE: Some models have position for constant ON.

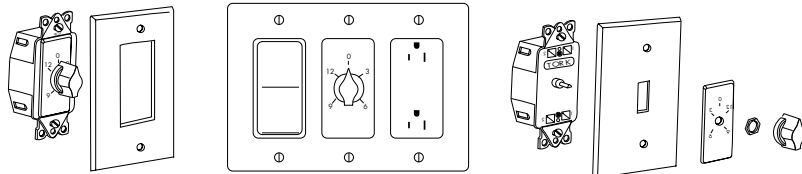
EASY SET: No adjustments. Just wire and go!

EASY WIRING: No neutral required. Great for retrofit! Use as single or in multi-gang box with no de-rating.

SWITCH TYPE: SPDT "2 in 1" contacts wire has SPST also. Can wire as normally on and countdown while off.

COLOR: Ivory, Light Almond, White.

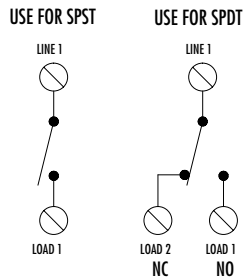
WALL PLATE: Fits standard or decorator style wall plates, see below (not included).



CAUTION: This timer is not to be used in precision timing applications where inaccurate timing could have dangerous consequences (i.e. sun lamp, sauna, etc.).

CAT. NO.	UPC CODE	HOLD FEATURE	COLOR
15 MINUTE MAX.			
A515MH	15020	With Hold	Ivory
A515MHW	15120		White
A515M	15013	No Hold	Ivory
A515MW	15113		White
A515MA	15127		Light Almond
30 MINUTE MAX.			
A530MH	15021	With Hold	Ivory
A530MHW	15121		White
A530M	15014	No Hold	Ivory
A530MW	15114		White
A530MA	15128		Light Almond
60 MINUTE MAX.			
A560MH	15022	With Hold	Ivory
A560MHW	15122		White
A560M	15015	No Hold	Ivory
A560MW	15115		White
2 HOUR MAX.			
A502HHW	15123	With Hold	White
A502H	15016	No Hold	Ivory
A502HW	15116		White
6 HOUR MAX.			
A506HHW	15125	With Hold	White
A506H	15018	No Hold	Ivory
A506HW	15118		White
12 HOUR MAX.			
A512HH	15026	With Hold	Ivory
A512HHW	15126		White
A512H	15019	No Hold	Ivory
A512HW	15119		White

TYPE	VOLTAGE (VAC)	RATING
Resistive	125	20A
	250	10A
	277	10A
Inductive	125	20A
	250	10A
	277	10A
Tungsten	125	7A
Motor	125	1HP
	250	2HP



C SERIES

COMMERCIAL STYLE SPRINGWOUND AUTO OFF IN-WALL TIMER



*Wallplate included



NEW!
SPDT, 2 IN 1
CONTACTS

SPECIFICATIONS

INPUT VOLTAGE:
125/250/277VAC, 50/60Hz.

TERMINAL SIZE: #12AWG.

OPERATING TEMPERATURE:
32 °F to 122 °F (0 °C to 50 °C).

APPLICATIONS

- Ventilating fans
- HVAC
- Whirlpools
- Self storage
- Motors and pumps

FEATURES

VARIABLE TIMING: Twist knob for time ON setting. Time ON lengths from 15 minutes to 12 hour vary by model.

HOLD FEATURE: Some models have position for constant ON.

EASY SET: No adjustments. Just wire and go!

EASY WIRING: No neutral required. Great for retrofit!

SWITCH TYPE: SPDT "2 in 1" contacts wire as SPST also, except C460M and C412H are DPST. Can wire normally on and countdown while off.

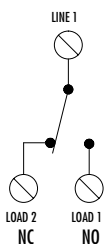
COLOR: Metal-brushed aluminum.

WALL PLATE: Includes real metal wall plate with screw mounting, to add extra security for commercial applications.

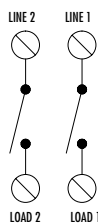
USE FOR SPST



USE FOR SPDT



USE FOR DPST



TYPE	VOLTAGE (VAC)	RATING
Resistive	125	20A
	250	10A
	277	10A
Inductive	125	20A
	250	10A
	277	10A
Tungsten	125	7A
Motor	125	1HP
	250	2HP

CAT. NO.	UPC CODE	HOLD FEATURE
15 MINUTE MAX.		
C515M	15501	No Hold
30 MINUTE MAX.		
C530M	15503	No Hold
60 MINUTE MAX.		
C560M	15505	No Hold
C560MH	15506	With Hold
C460M*	15011	No Hold
2 HOUR MAX.		
C502H	15507	No Hold
6 HOUR MAX.		
C506H	15511	No Hold
12 HOUR MAX.		
C512H	15513	No Hold
C512HH	15514	With Hold
C412H*	15010	No Hold

*DPST switch type.

CAUTION: This timer is not to be used in precision timing applications where inaccurate timing could have dangerous consequences (i.e. sun lamp, sauna, etc.).





TORK® PLUG-IN TIMERS

400B SERIES INDOOR PLUG-IN MECHANICAL TIMERS

NEW!

APPLICATIONS



- Automatically turn ON/OFF items in the home.
- Control lamps, radios, televisions, appliances.
- Give the home a "lived in" look while away.
- Save energy and provide security.



403B ▲



▲ 402B



▶ 405B ◀

FEATURES

REPEAT SCHEDULE: Daily.

VARIABLE TIMING: Multiple ON/OFF times.

ON/OFF: Manual ON/TIMER switch.

CAT. NO.	UPC CODE	RATINGS	NO. OF OUTLETS (▶)	TYPE OF PLUG	DESCRIPTION	VARIABLE TIMING SEGMENTS
403B	16085	125VAC 15A 1875W Resistive 125VAC 500W Tungsten	1	Polarized	Basic Lighting Timer	30 minute
402B	16091	125VAC 500VA Electronic Ballast 125VAC 1/3 HP Motor	1	Grounded	Heavy Duty 24 hour Timer	30 minute
405B	16094	125VAC 15A 1875W Resistive 125VAC 500W Tungsten 125VAC 500VA Electronic Ballast 125VAC TV-4	2	Grounded	Two Outlet Automatic Timer	30 minute

NOTE: "▲" = Indicates outlet location.

SA 100 SERIES INDOOR PLUG-IN MECHANICAL TIMERS

NEW!

APPLICATIONS



- Automatically turn ON/OFF items in the home.
- Control lamps, radios, televisions, appliances.
- Give the home a "lived in" look while away.
- Save energy and provide security.



SA011



SA100



SA105



SA110

FEATURES

REPEAT SCHEDULE: Daily.

VARIABLE TIMING: Multiple ON/OFF times.

ON/OFF: Manual ON/TIMER switch.

CAT. NO.	UPC CODE	RATINGS	NO. OF OUTLETS (▶)	TYPE OF PLUG	DESCRIPTION	VARIABLE TIMING SEGMENTS
SA011	16501	120VAC 15A Resistive, 120VAC 15A Inductive, 120VAC 1800W Tungsten, 120VAC 1/2HP Motor	1	Polarized	Lamp Timer with LED night light	Two Pair of On/Off trippers
SA100	16507		1	Polarized	Basic Timer with cover to hide dial	15 Minutes
SA105	16510	120VAC 15A Resistive 120VAC 15A Inductive 120VAC 1800W Tungsten	1 Timed 1 Untimed	Polarized Polarized	Table Top Timer for easy access with 6 foot cord	15 Minutes
SA110	16513		1 Timed 1 Untimed	Grounded Polarized	Heavy Duty Appliance Timer with cover to hide dial	15 Minutes

NOTE: "▲" = Indicates outlet location.

SA100 & 400E SERIES INDOOR DIGITAL PLUG-IN TIMERS

APPLICATIONS

- Automatically turn ON/OFF items in the home.
- Vary schedules daily.
- Give the home a "lived in" look while away.
- Save energy and provide security.



FEATURES

SA134 & SA130:

24 hour programming.
Battery Back-up for power outages.

460E, 454E & 455E:

7 day programming.
Random feature for lived in look.
Manual Daylight Savings.
Battery Back-up for power outages.

SunSet TIMER 457Z:

- Sunset On with 7 day programmable Off or sunrise Off.
- Random feature for lived in look.
- Automatic Daylight Savings.
- Battery Back-up for power outages.
- Never come home to a dark house.



CAT. NO.	UPC CODE	RATINGS	NO. OF OUTLETS (▶)	TYPE OF PLUG	DESCRIPTION	VARIABLE TIMING SEGMENTS
SA134	16522	120VAC 8.3 amp Resistive 120VAC 600W Tungsten	1	Polarized	Easy Set 24 hour daily repeat timer	2 On/Off Settings
SA130	16519	120VAC 15A Resistive, 120VAC 15A Inductive, 120VAC 500W Tungsten 120VAC 1/2 HP Motor	1 Timed 1 Untimed	Polarized	Easy Set Lamp Timer with cover to hide buttons	2 On/Off settings. 1 setting may be active at a time
460E	16097	125VAC 15A 1875W Resistive, 125VAC 1000W Tungsten, 125VAC 500VA Electronic Ballast, 1/3 HP Motor	1	Polarized	Seven Day Programmable	
454E	16100		1	Grounded	Seven Day Programmable	20 ON/OFFs Different schedule for each day of the week. Multiple ON/OFFs
455E	16103	120VAC 15A 1800W Resistive, 120VAC 960W Tungsten, 120VAC 500VA Electronic Ballast, 1/2 HP	2	Grounded	Seven Day Programmable	
457Z	16016	125VAC 15A General Purpose 125VAC 15A Resistive 125VAC 1000W Tungsten	2	Grounded	SunSet™ Timer Dusk to Dawn with automatic daylight savings	

NOTE: "▶" = Indicates outlet location.

SA200 & SA500 SERIES WIRELESS PLUG-IN CONTROLS



APPLICATIONS



- Remotely turn ON/OFF items.
- Control lamps, radios, appliances, outdoor lighting.
- Safety: enter and leave rooms in full light.
- Provide a convenient control from your chair.



SA500



SA230

FEATURES

INDOOR REMOTE OUTLET - SA500:

- Control indoor outlet up to 80' away.
- Transmitter has 3 pair ON/OFF buttons to allow independent control of 3 receivers.
- Match receiver and outlet with simple dial. No fussy programming.
- Get one for each room. No cross talk.
- Wireless control without moving across room.

OUTDOOR REMOTE OUTLET - SA230:

- Control indoor outlet up to 80' away.
- Matched receiver and outlet. No programming.
- Transmitter has 1 pair ON/OFF button.
- Wireless control from the comfort of inside.

CAT. NO.	UPC CODE	RATINGS	NO. OF OUTLETS (▶)	TYPE OF PLUG	DESCRIPTION	VARIABLE TIMING SEGMENTS
SA500	16555	125VAC 8A Resistive 125VAC 625W Tungsten	1	Grounded	Indoor Remote Controlled Outlet	Manual On/Off with push button transmitter
SA230	16564	125VAC 8A Resistive 125VAC 600W Tungsten	2	Grounded	Outdoor Remote Controlled Outlet	Manual On/Off with push button transmitter

NOTE: "▲" = Indicates outlet location.

600B & SA200 SERIES OUTDOOR PLUG-IN MECHANICAL TIMERS

NEW!



▲ ▲
602B



▲ ▲
652B



▲ ▲
SA205

APPLICATIONS



- Automatically turn ON/OFF outdoor lighting.
- Save energy. Don't run lights all night.
- Match dusk ON with light activated timer.

FEATURES

MECHANICAL TIMERS:

TIMER REPEAT SCHEDULE: Daily.

VARIABLE TIMING: Multiple ON/OFF times.

MANUAL SWITCH: ON or TIMER mode.

LIGHT ACTIVATED TIMERS:

TIMER REPEAT SCHEDULE: Daily turns on at dusk.

VARIABLE TIMING: Dial turn to choose a countdown time to turn Off hours after dusk.

CAT. NO.	UPC CODE	RATINGS	NO. OF OUTLETS (▶)	TYPE OF PLUG	DESCRIPTION	VARIABLE TIMING SEGMENTS
602B	16106	125VAC 15A Resistive 125VAC 500W Tungsten 125VAC 500VA Electronic Ballast 125VAC 1/3 HP Motor	2	Grounded	Outdoor Lighting Timer	30 Minutes
SA205*	16534	120VAC 15A Resistive 120VAC 15A Inductive 120VAC 1800W Tungsten 120VAC 1800W Incandescent 120VAC 1/2 HP Motor	1 Timed 1 Untimed	Grounded	Landscape Timer	15 Minutes
652B	16108	125VAC 15A General Purpose 125VAC 15A Resistive 125VAC 1000W Tungsten 125 VAC 500VA Electronic Ballast 125VAC 1/3 HP, TV-5	2	Grounded	Light Activated Outdoor Lighting Timer	Turns on at Dusk and countdown Off 2, 4, 6 or 8 hours later

* ETL listed for U.S. and Canada.



NOTE: "▲" = Indicates outlet location.

600E & SA200 SERIES OUTDOOR PLUG-IN DIGITAL TIMERS

NEW!

APPLICATIONS



- Automatically turn ON/OFF outdoor lighting.
- Save energy. Don't run lights all night.
- Match dusk ON with light activated timer.



642E



654E



SA204

FEATURES

DIGITAL TIMER:

- 7 day programming
- Manual Daylight Savings
- Random feature for lived in look
- Battery Back-up for power outages

LIGHT ACTIVATED TIMERS:

TIMER REPEAT SCHEDULE: Daily turns on at dusk.

VARIABLE TIMING: Choose a countdown time to turn Off from 1 to 9 hours after dusk.

654A USER SELECT MODE: Start countdown at any time and repeats daily.

CAT. NO.	UPC CODE	RATINGS	NO. OF OUTLETS (▶)	TYPE OF PLUG	DESCRIPTION	VARIABLE TIMING SEGMENTS
642E	16110	125VAC 15A Resistive 125VAC 1000W Tungsten 125VAC 500VA Electronic Ballast 125VAC 1/3 HP Motor	2	Grounded	Outdoor Lighting Timer	30 minutes
654E	16113	125VAC 15A Resistive 125VAC 1000W Tungsten 125VAC 500VA Electronic Ballast 125VAC 1/3 HP TV-5	2	Grounded	Light Activated Outdoor Lighting Timer	Turns on at Dusk and countdown off 1 through 9 hours later
SA204*	16561	120VAC 8A Resistive 120VAC 600W Tungsten	2	Grounded	Light Activated Landscape Timer	

* ETL listed for U.S. and Canada.



NOTE: "▲" = Indicates outlet location.

SA200 SERIES OUTDOOR PLUG-IN STAKE TIMERS

NEW!

APPLICATIONS



- Automatically turn ON/OFF outdoor lighting.
- Save energy. Don't run lights all night.
- Multiple outlets for holiday lighting.



FEATURES

REPEAT SCHEDULE: Daily.

VARIABLE TIMING: Multiple ON/OFF times.

MANUAL SWITCH: ON or TIMER mode.

POWER CORD: 18" length.

CAT. NO.	UPC CODE	RATINGS	NO. OF OUTLETS (>)	TYPE OF PLUG	DESCRIPTION	VARIABLE TIMING SEGMENTS
SA215	16540	125V 15A Resistive 125V 1250W Tungsten 125V 1/2 HP Motor	6	Grounded	Holiday Décor Stake Timer	30 minutes

NOTE: "▲" = Indicates outlet location.

SA200 SERIES

OUTDOOR **Zip-Set™**

DIGITAL PLUG-IN TIMERS

NEW!



APPLICATIONS

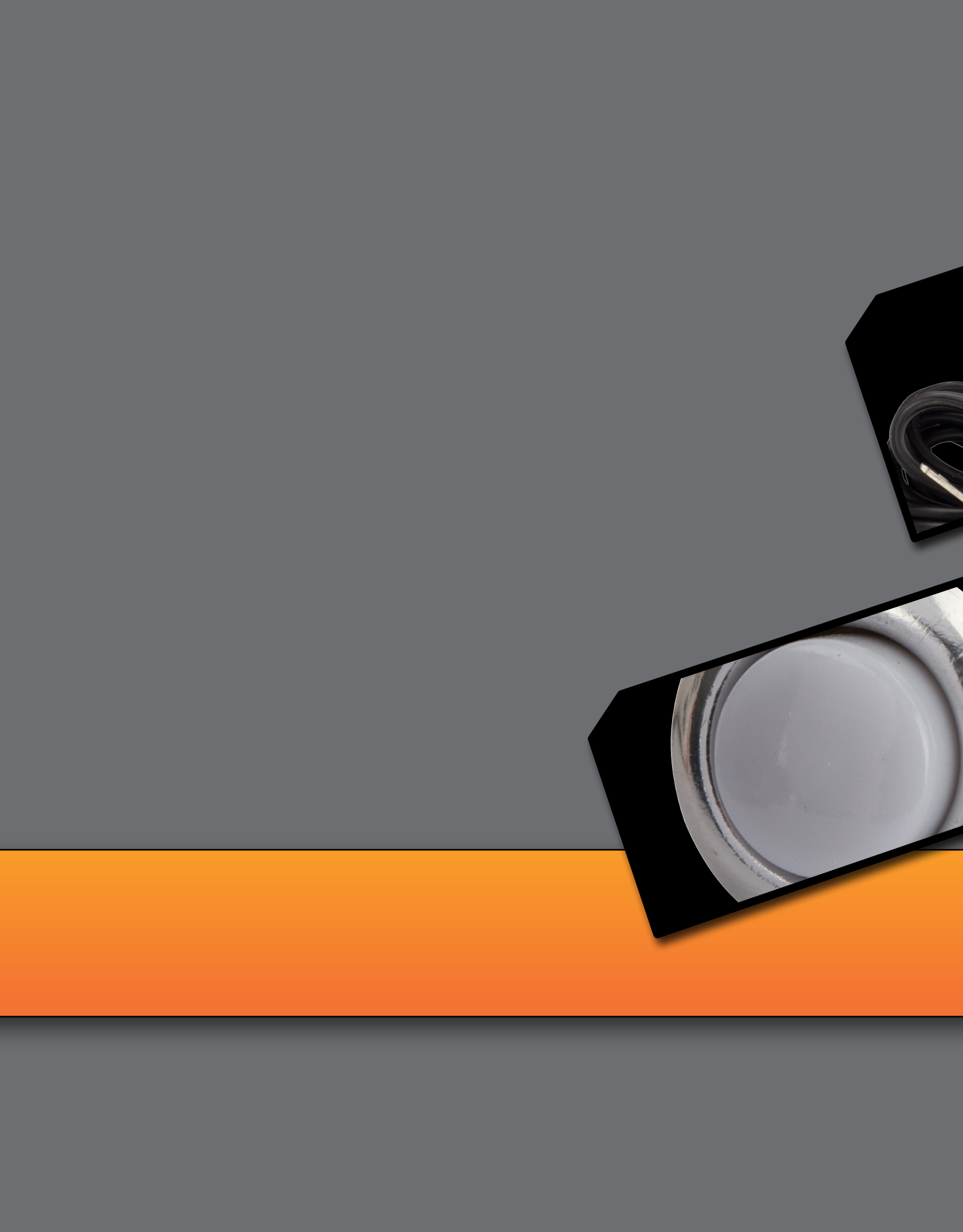


- Automatically turn ON/OFF outdoor lighting.
- Save energy. Don't run lights all night.
- Match dusk ON everyday.

FEATURES

- Fast programming with ZIP-SET™ One-Step™ set-up. Just enter your area code.
- ZIP-SET™ turns lights ON at sunset & OFF at countdown or preset time.
- 7-5-2 settings for full week, weekdays, and weekends.
- Option to set with one of three on/off programs.
- Manual Daylight Savings.
- Random feature for lived in look.
- Battery Back-up for power outages.
- Power Cord: SA210 18" & SA220 24".

CAT. NO.	UPC CODE	RATINGS	NO. OF OUTLETS	TYPE OF PLUG	DESCRIPTION	VARIABLE TIMING SEGMENTS
SA210	16537	120VAC 15A Resistive 120VAC 15A Inductive 120VAC 1000W Tungsten 120VAC 1/4 HP Motor	2 Timed 1 Untimed	Grounded	Zip-Set™ Outdoor Living Wall Mount Timer	Sunset On and countdown hours to Off or same fixed time off each day
SA220	16534	120VAC 15A Resistive 120VAC 15A Inductive 120VAC 600W Tungsten 120VAC 1/4 HP Motor	6 Timed 1 Untimed	Grounded	Zip-Set™ Outdoor Lighting Stake Timer	Sunset On and countdown hours to Off or same fixed time off each day





TORKALERT™ SIGNALING DEVICES

MECHANICAL STROBE HORNS



TA880-N5

TA5508H-G1



APPLICATIONS

- High performance for industrial signaling applications. Offers high sound output, low current draw and dependable operation. Strobes use xenon flashtube, ideal for maximum efficiency and reliability.

FEATURES

ALARM: Penetrating mechanical sound.

WIRING: Low current draw. Horn may be wired separately

MOUNTING: 4" square surface mounting.

CAT. NO.	UPC CODE	INPUT VOLTAGE	INPUT CURRENT (AMPS)	dB @10 FEET	CANDELA
TA880-N5	96015	120VAC	0.115	96	15
TA5508H-G1	96071	24VDC	.059	strobe only	15/75

NOTE: TA880-N5 For outdoor use, unit must be mounted in a TA-WBBF outdoor backbox. See page 550 for ordering. TA5508H-G1 for indoor mounting only.

MECHANICAL HORNS



APPLICATIONS

- Loud tone with typical decibel output of 87dB at 10 feet. Low frequency resonance for strong penetration of noisy areas like boiler rooms, water pumping stations, elevators and air compressor rooms.

FEATURES

INPUT VOLTAGE: Wide input voltage ratings for compatibility with unregulated power supplies.

WIRING: Screw terminals for convenient IN/OUT wiring. Low current draw for minimizing power supply and wiring cost.

HOUSING: Steel, painted Dawn Mist. Resonant grill design for high sound output.

MOUNTING: To indoor box TA-BBSF or outdoor box TA-WBBF, see accessories page 576.

CAT. NO.	UPC CODE	INPUT VOLTAGE	INPUT CURRENT (AMPS)
SURFACE TYPE			
TA874-N5	96023	120VAC, 60Hz	0.070
TA874-N5R (Red)	97613	120VAC, 60Hz	0.070
TA875-G1	97687	24VDC	0.035
WITH WEATHERPROOF BACKBOX TA-WBBF UL LISTED FOR OUTDOOR USE			
TA876-N5	96026	120VAC, 60Hz	0.070

NOTE: Use TORK signal timers for 24 hour or 7 day scheduling, see page 485.

MULTI-TONE ELECTRONIC HORNS

24VDC & 115VAC



TA875-1G1
cUL_{us}

TA-MTS
UL

APPLICATIONS

- For indoor and outdoor use. Superior sound penetration for various room conditions. Screw terminals accept #12AWG.

FEATURES

OPERATING TEMPERATURE:

TA-MTS: -31°F to +150°F (-35°C to +66°C).

DIMENSIONS AND MOUNTING:

TA-MTS: 4 1/8"H x 4 1/8"W x 3 17/32"D

Can be mounted on ceiling or wall.

TA875-1G1: 4 3/4"H x 4 3/4"W x 1 3/8"D

1 gang, 2 gang or 4" square backbox.

TA875-1G1 24VDC HORN		
ALARM TONE	CURRENT (AMPS)	TYPICAL dB @ 10 FEET
BELL	0.020	91
HI-LO	0.025	96
CHIME	0.028	93
SINGLE STROKE BELL	0.026	93
HORN	0.023	97
3 BEEPS, PAUSE	0.023	97
SIREN	0.040	95
SLOW WHOOP	0.040	96

TA-MTS 115VAC HORN				
ALARM TONE	AMPS @ 120VAC		TYPICAL dB @ 10 FEET	
	HIGH	STANDARD	HIGH OUTPUT	STANDARD OUTPUT
HORN	0.050	0.042	85	82
BELL	0.041	0.039	82	75
HORN 2	0.050	0.040	85	79
CODE 3 HORN	0.050	0.042	82	75
CODE 3 TONE	0.042	0.040	79	75
SLOW WHOOP	0.050	0.042	85	82
SIREN	0.045	0.041	85	82
HI-LO	0.042	0.039	82	79

CAT. NO.	UPC CODE	INPUT VOLTAGE	DESCRIPTION
TA875-1G1	97641	20-31VDC	Multi-tone Electric Horn
TA-MTS	97674	115 VAC	Multi-tone Electric Horn

HEAVY DUTY BELLS

4", 6", 10" DIAMETERS
AC VIBRATING BELLS



APPLICATIONS



- For indoor or outdoor applications. High sound output, durable and dependable performance. Ideal for schools and hospitals.

FEATURES

TERMINAL SIZE: #12 - 22 AWG.

WIRING: Screw terminals permit fast IN/OUT field wiring.

HOUSING: Steel gong and cast aluminum. See page 577 for dimensional drawings.

MOUNTING: To indoor box TA-BBSF or outdoor box TA-WBBF, see accessories page 576.

CAT. NO.	UPC CODE	SHELL SIZE	VOLTAGE	INPUT CURRENT (AMPS)	dB @ 10 FEET	COLOR
TA340-4G5	96001	4"	24VAC	0.320	81-90	Dawn Mist
TA340-4N5	96002	4"	120VAC	0.065	81-90	Dawn Mist
TA340-6G5	96003	6"	24VAC	0.320	81-95	Dawn Mist
TA340-6N5	96004	6"	120VAC	0.065	81-95	Dawn Mist
TA340-10G5	96005	10"	24VAC	0.320	84-98	Dawn Mist
TA434-4N5	98005	4"	120VAC	0.065	81-95	Red
TA434-6N5	97521	6"	120VAC	0.065	81-95	Red
TA434-10N5	96522	10"	120VAC	0.065	84-98	Red

LIGHT DUTY AND GENERAL PURPOSE BELLS & BUZZER



APPLICATIONS

- Designed to operate on either bell ringing transformers or batteries. Non-adjustable sound.

FEATURES

ALARM: Bell ringing, non-adjustable sound.

DIMENSIONS FOR TA725:
3" H x 2½" W x 1" D.

MOUNTING: Fully enclosed sturdy steel bases and covers. Base and cover snap together, no screws required.

CAT. NO.	UPC CODE	DESCRIPTION	VAC	VDC	AMPS	dB
TA740	96228	2½" Gong	8-16	3-6	1	76 @ 10'
TA744	96230	4" Gong	8-16	3-6	1	78 @ 10'
TA725	96226	Buzzer	8-16	3-6	1	88 @ 3'

CHIMES & CHIME KITS



APPLICATIONS

- Powerful and loud, pleasant sounding push-button chimes. Ideal for homes, apartments and offices.

CAT. NO.	UPC CODE	DESCRIPTION	DIMENSIONS
TAC212WS	96064	16VAC Chime + Push Button clip for Stucco + 10VA Transformer	7 3/16"L x 4"W x 2"D
TAC212WL	96054	16VAC Chime +1 Illuminated & 1 Non-illuminated Push-button +10VA Transformer	7 1/4"L x 4 3/4"W x 2 1/2"D

FEATURES

INPUT: 16V, 10VA, 120VAC.

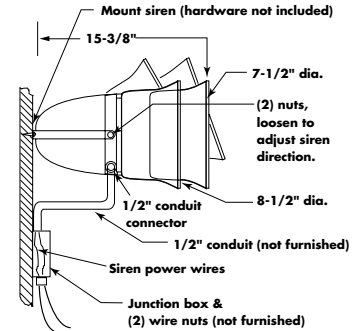
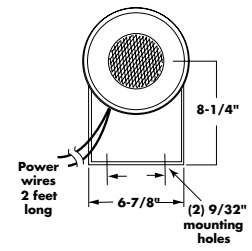
ALARM: Chime.

MOUNTING: Fully enclosed sturdy steel bases.

WEATHERPROOF MOTOR DRIVEN SIREN



DIMENSIONS



APPLICATIONS



- For industrial and outdoor use. Ideal for evacuation and warning systems.

FEATURES

INPUT VOLTAGE: 120AC & DC, 60Hz.

ALARM: Loud, distinctive tone. Designed to be effective over standard horns or bells.

HOUSING: Red enamel paint over heavy gauge aluminum housing. Fully enclosed motor. 180° swivel and adjustable direction.

CAT. NO.	UPC CODE	INPUT VOLTAGE	dB @ 10 FEET	AMPS	VA
TA315-1N5	96599	120VAC/DC	117	2.5	300

MANUAL FIRE ALARM PULL-DOWN STATION



APPLICATIONS



- Designed for indoor use. Ideal for schools, hospitals, industrial plants, warehouses and retail stores. Key is required to close and reset device. Meets requirements, BSA, MEA, CA and UL.

FEATURES

ALARM: Loud, distinctive tone. Designed to be compatible with any control panel to initiate local alarm signals, trip municipal fire alarm box and start fire pumps.

MOUNTING: Sturdy metal construction, mounts to a standard single gang electrical box.

CAT. NO.	UPC CODE	SWITCH	VOLTS	AMPS
TA270A	96521	SPST, NO	30V AC/DC	1

TELEPHONE RELAY



APPLICATIONS



- This device activates appliances when a telephone ring voltage is detected. For indoor and outdoor use with horns, bells or strobes. Recommended use where ambient noise levels are high. FCC approved.

FEATURES

INPUT: Accepts RJ-11C phone plug.

WIRING: Hard wire connections, for analog phone lines.

MOUNTING: Weatherproof, indoor and outdoor, includes mounting bracket.

CAT. NO.	UPC CODE	INPUT TELEPHONE RING VOLTAGE	AC INPUT VOLTAGE	RINGER EQUIVALENCE	PEAK CANDLEPOWER
TA-B-8332	97100	39-150V/20-30Hz	115VAC-5A, 230VAC-2A	Up to 115VDC-500MA	0.6

WALL CLOCKS

QUARTZ & ELECTRIC



APPLICATIONS

- Each model meets United States Government Specifications. All Clocks provide second hand for accurate timing.

FEATURES

QUARTZ

Accurate to one minute per year. Low power consumption for long battery life. Uses AA battery (not supplied).

ELECTRIC

110VAC, 60 Hz synchronous motor. 66 inch line cord and plug. Does not require grounding.

MOUNTING: Concealed mounting brackets allow for simple, neat placement on walls.

QUARTZ CLOCK

CAT. NO.	UPC CODE	TYPE	SIZE	FRAME COLOR
TA1886 G	96156	QUARTZ	8"	Grey
TA1886 B	96155	QUARTZ	8"	Brown
TA1887 G	96159	QUARTZ	12"	Grey
TA1887 B	96157	QUARTZ	12"	Brown
TA1887 BK	96158	QUARTZ	12"	Black

ELECTRIC CLOCK

CAT. NO.	UPC CODE	TYPE	SIZE	FRAME COLOR
TA1880 G	96152	ELECTRIC	8"	Grey
TA1880 B	96151	ELECTRIC	8"	Brown
TA1882 G	96154	ELECTRIC	12"	Grey
TA1882 B	96153	ELECTRIC	12"	Brown

ELECTRIC DOOR OPENERS

REMOTE CONTROL & CONTACT DEVICES

APPLICATIONS

- For unlocking or locking metal or wooden doors using low voltage wiring. For AC, use TA591 or TA592 transformer.

MORTISE TYPE REMOTE OPENER

Reversible for right or left hand door. Use with mortise entrance locks having a latch bolt with up to 1/2" width and throw. 6" wire leads. Dimensional drawings available.

DEVICE	CAT. NO.	UPC CODE	VOLTS	AMPS
--------	----------	----------	-------	------



TA09	96960	8-16VAC 3-6VDC	.95-1.75 1.25-1.80
------	-------	-------------------	-----------------------



TA154	96962	16VAC 3-6VDC	.95-1.75 1.25-1.80
-------	-------	-----------------	-----------------------

RIM TYPE REMOTE OPENER

Reversible for right or left hand door. Standard surface type used with lock latches with up to 5/8" width and throw. 6" wire leads. Dimensional drawings available.


DEVICE	CAT. NO.	UPC CODE	VOLTS
--------	----------	----------	-------



TA152	96961	8-16VAC, 3-6VDC
-------	-------	-----------------


MAGNETIC SWITCH CONTACTS

For activating a variety of signals, ideal for limiting space applications. Self-insulating and can be mounted in any direction. All units include companion magnet. Dimensions: 2 3/16" L x 1/2" W x 1/2" D.

DEVICE	CAT. NO.	UPC CODE	DESCRIPTION	VOLTS	AMPS MAX.
	TA60	96975	Circuit closed with magnet engaged		
	TA61	96976	Make & break NO and NC	24VAC 12VDC	.5
	TA62	96977	Circuit open with magnet engaged		
	TA67W	96979	Terminal Cover		

DOOR/WINDOW CONTACTS, ROLLING BALL TYPE

Signals automatically with the opening and closing of doors, windows and transoms. Operates from pressure in any direction. Non-tilt, non-jamming design. Fits 3/4" hole; no need to mortise.

DEVICE	CAT. NO.	UPC CODE	DESCRIPTION	VOLTS	AMPS MAX.
	TA44	96995	Normally closed Push to open		
	TA45	96996	Normally open Push to close	12-24V AC/DC	2
	TA46	96997	Momentary contact Push to make & break		

ELECTRIC DOOR SWITCH

For turning lights/signals on or off when doors are opened or closed. Ideal for closets, dark rooms, storage areas of walk-in refrigeration. Rust resistant steel case with 4 knockouts, antique brass plate. Box dimensions: 1 1/4"W x 3 7/8"H x 2"D. Plate dimensions: 1 1/4"W x 4".

DEVICE	CAT. NO.	UPC CODE	DESCRIPTION	VOLTS	AMPS MAX.
--------	----------	----------	-------------	-------	-----------



TA502	96964	Light ON when door is open	125VAC 250VAC	6 3
-------	-------	----------------------------	------------------	--------

DOOR TRIP SWITCH

Signals automatically as door is opened. Commonly used on store doors to announce entrance of customers. Mounts on top of door frame. Solid cast brass. Size: 3 x 1 5/8".

DEVICE	CAT. NO.	UPC CODE	VOLTS	AMPS MAX.
--------	----------	----------	-------	-----------



TA236	96963	12-24VAC	2
-------	-------	----------	---

PUSH-BUTTONS

ILLUMINATED,
NON-ILLUMINATED &
WEATHERPROOF



APPLICATIONS

- For outdoor use to activate low voltage bells, buzzers, horns or any other audible signal. Ideal for factory doors, receiving departments, small office buildings, limited access retail stores and private homes.

ILLUMINATED PUSH-BUTTONS, UP TO 16VAC

BUTTON	CAT. NO.	UPC CODE	COLOR	SIZE
	TA603L	96035	Gold	1 3/4" (diameter)
	TA631L	96089	White	2 3/4" x 7/8"
	TA656B	96039	Gold	15/16 x 2 3/4"
	TA215LB	96031	Brass	1 1/4 x 2"
	TA620L*	96037	Chrome	5/8" (diameter)
	TA620LB*	96038	Brass	5/8" (diameter)

WEATHERPROOF PUSH-BUTTONS / SOLID CAST BRASS

BUTTON	CAT. NO.	UPC CODE	DESCRIPTION	INPUT VOLTAGE
	TA1786B	96090	Without conduit backplate	Momentary Contacts 4 amps AC/DC @ 12V 4 amps AC, 2 amps DC @ 24V
	TA1786CB	96091	With conduit backplate	2 amps AC 1 amp DC @48V

NON-ILLUMINATED PUSH-BUTTONS, UP TO 24VAC

BUTTON	CAT. NO.	UPC CODE	COLOR	SIZE
	TA600	96041	Polished Brass	2 1/4" (diameter)
	TA603	96044	Polished Brass	1 3/4" (diameter)
	TA631	96088	White	2 3/4" x 7/8"
	TA635	96047	Ivory, black bar	2 3/4" x 7/8"
	TA666BK	96048	Black, ivory bar	2 3/4" X 2 3/4"
	TA602	96043	Polished Brass	13/8" x 5 1/4"
	TA601	96042	Sprayed Brass	2 x 2 9/16"
	TA620*	96045	Chrome	5/8" (diameter)
	TA620B*	96046	Brass	5/8" (diameter)

*Stainless steel plate to fit TA620 models: Order TA 147-1

WARNING LIGHTS INDUSTRIAL UNITS


LETTER	INDICATES COLOR
R	Red
A	Amber
C	Clear
B	Blue

APPLICATIONS

- 1/2" conduit mounting. Full selection of dome colors, see chart at right. For outdoor use. All units must be mounted vertically with base at bottom.


TA47N5 / TA47R5 – ALL PURPOSE 360° BEACON

Large parabolic reflector rotates around a 100 watt bulb. Long range beam. Use to indicate equipment malfunctions, security intrusion, etc.

DEVICE	CAT. NO.	UPC CODE	DESCRIPTION	VOLTS	AMPS
	TA47RN5	96061	90 FPM Corrosion resistant/Outdoor use Glass filled polypropylene housing	117VAC	
	TA47AN5	96161	Acrylic dome	117VAC	.9
	TA47AR5	96162	Tamper resistant dome clamps Nominal current draw 9 1/2"H x 8 1/2" diameter	240VAC, 60Hz	


TA52N5 – COMPACT ROTATING BEACON

Light intensifying reflector rotates around a low current 25 watt bulb. Bayonet socket for easy lamp replacement. Ideal for restricted or dangerous areas.

DEVICE	CAT. NO.	UPC CODE	DESCRIPTION	VOLTS	AMPS
	TA52RN5	96063	80-90 FPM 360° rotation		
	TA52AN5	96163	Dependable belt & turntable design Acrylic dome	117VAC	.21
	TA52BN5	96263	Nominal current draw 6 1/2"H x 55/8" diameter		


TA93-2N5 – MIDI-STROBE

Solid state circuitry in a low profile design. No moving parts means less Maintenance!

DEVICE	CAT. NO.	UPC CODE	DESCRIPTION	VOLTS	AMPS
	TA93-2RN5	99622	70-80 FPM Solid state electronic circuitry		
	TA93-2AN5	97623	High output 3-4 watt, 3.6 joules Vertically mounted flash tube	117VAC	.04
	TA93-2CN5	96968	Snap out socket base for 360° Fresnel dome optics		
	TA93-2BN5	97624	Nominal current draw 6 1/2"H x 5 1/8" diameter		

TA94N5 – ELECTRONIC STROBE

High intensity strobe tube with inner fluted lens for maximum brilliance. No moving parts makes it immune to shock and vibration. Ideal for security alert.

DEVICE	CAT. NO.	UPC CODE	DESCRIPTION	VOLTS	AMPS
	TA94RN5	97626	70-80 FPM Solid state electronic circuitry High output 3-4 watt, 3.6 joules		
	TA94AN5	97627	Acrylic dome	117VAC	.04
	TA94BN5	97628	Glass filled polypropylene housing Suitable for outdoor use 9 1/2"H x 8 1/2" diameter		

WARNING LIGHTS VEHICULAR UNITS


LETTER	INDICATES COLOR
R	Red
A	Amber

APPLICATIONS

- 1/2" conduit mounting. Full selection of dome colors, see chart at right. For outdoor use. All units must be mounted vertically with base at bottom.


TA53E1 – ROTATING BEACON

Single point shock-mounting. Ideal for use on security or service vehicles.

DEVICE	CAT. NO.	UPC CODE	DESCRIPTION	VOLTS
	TA53AF1	96185	90-100 FPM	36VDC
	TA53AG1	96184	Dependable belt & turntable design 25 watt lamp Acrylic Dome Nominal current draw 7 1/2"H x 6" diameter	24VDC

TA54E1 – PORTABLE, MAGNETIC, ROTATING BEACON

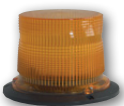
Single point shock-mounting. Ideal for use on security or service vehicles.

DEVICE	CAT. NO.	UPC CODE	DESCRIPTION	VOLTS
	TA54AE1	96187	75 FPM, 12 watt lamp Quiet belt-drive motor.	12VDC
	TA54RE1	96087	Teardrop design fits under windshields. Includes glare shield, velcro tape 4 1/2" H x 7 1/2" diameter	

TA131DN5 / TA131DU1 – DOUBLE FLASH SUPER STROBE


Ideal for industrial applications requiring extremely high visibility. One model covers all popular mounting methods: 1/2" pipe, surface, flange, electrical box.



DEVICE	CAT. NO.	UPC CODE	DESCRIPTION	VOLTS	AMPS
	TA131DRN5	96510	60 FPM, 7.5 JPF	120VAC	.2
	TA131DAN5	96610	High intensity 85,000 peak CP Flashtube Rated at 7000-8000 hrs.		
	TA131DRU1	96511	Durable Lexan® housing 5"H x 7 1/4" diameter	10.5-31.0VDC	
	TA131DAU1	97611			

TA879 – VEHICULAR BACKUP ALARM

Solid state electronic unit. Helps to comply with OSHA and State regulations. Makes distinctive noise, ideal for extreme variations in background noise

DEVICE	CAT. NO.	UPC CODE	DESCRIPTION	VOLTS
	TA879	96102	2 sound levels 97 or 87 dB +/- dB at 4ft Multi-voltage Water-resistant housing	12 to 48VDC

NOTE: FPM = Flashes per minute
JPF = Joules per flash

For replacement parts and accessories, see page 576.

POWER SUPPLY UNITS 24 VDC UNITS



APPLICATIONS

- Units provide power to multiple signaling devices, depending on requirements.

FEATURES

TA606

Regulated and filtered 24VDC up to 600mA. Easy-to-use screw terminals, accepts #16-24AWG. No conduit is required for installation.

TA640

Dual output unit, each providing 2 Amps fo current. If connected in parallel, will provide up to 4 Amps. Circuit breaker provides input protection.

CAT. NO.	UPC CODE	INPUT VOLTAGE	OUTPUT VOLTAGE	OUTPUT CURRENT	REGULATION	RIPPLE VOLTAGE
TA606	96109	117VAC	24VDC	600mA	-	-
TA640	96110	115VAC	24VDC	4A	+/-5%	10mVRMS

TRANSFORMERS



APPLICATIONS

- Engineered to ensure long use for bells, buzzers and chimes.



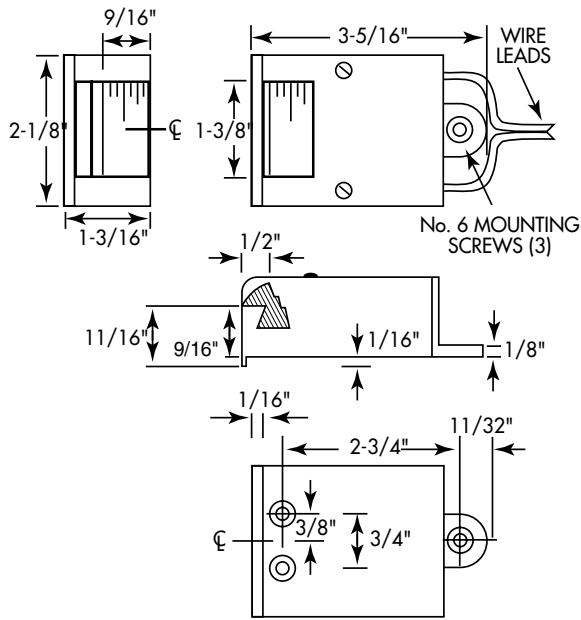
CAT. NO.	UPC CODE	TYPE	VOLTS-AMPS (VA)	PRIMARY VOLTAGE AC	SECONDARY VOLTAGE AC	Hz
TA590	96104	Bell	5	120	10	60
TA591	96105	Chime	10	120	16	60
TA592	96106	Tri-Volt	10-10-20	120	8-16-24	50/60
TA598	96602	Tri-Volt	20-30-30	120	8-16-24	60
TA599	96108	Heavy Duty	40	120	24	60
TA1245Y-50	96166	Heavy Duty	50VA	120/208/240	24	60
TA1245Y-75	96167	Heavy Duty	75VA	120/208/240	24	60

ACCESSORIES, REPLACEMENT PARTS

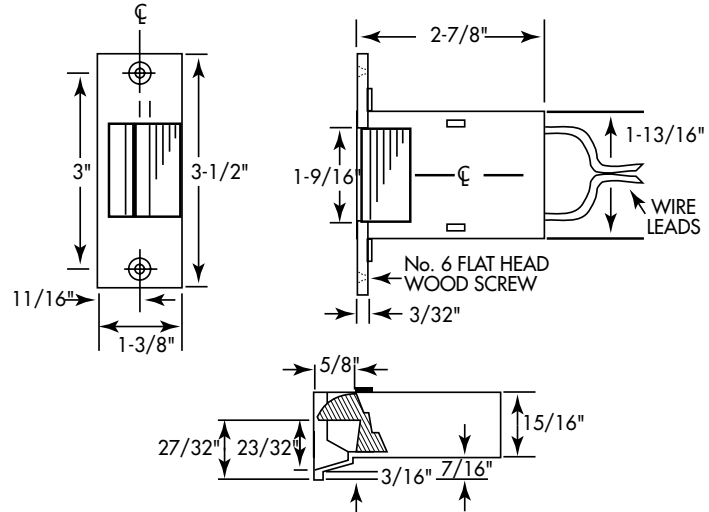
UNIT	CAT. NO.	UPC CODE	DESCRIPTION
TA93-2	TA-L6-2	96982	110VAC Xenon Flash Tube
TA52	TA-L8	96134	110VAC Bulb
TA94	TA-L10	96136	110VAC Xenon Flash Tube
TA-94	TA-L10-1	96981	110VAC Xenon Flash Tube
TA502	TA502SW	96966	Replacement switch
TA874 Series	TA-BBSF	97694	Backbox – 4" painted Dawn Mist 3/4" and 1" KO's
TA874 Series	TA-WBBF	97692	Weatherproof Backbox – 1/2" KO's 4" painted Dawn Mist
TA-BBSF, TA-WBBF	TA-SFPF	97707	Semi-Flush plate – Dawn Mist
TA-BBSF, TA-WBBF	TA-SFPFR	97697	Semi-Flush plate – Red
TA47, TA94	TA-ADR	96111	Acrylic Dome – Red
TA47, TA94	TA-ADA	96311	Acrylic Dome – Amber
TA52, TA53	TA-D5B	96419	Acrylic Dome – Blue
TA54	TA-D6A	96320	Dome – Amber
TA93, TA94	TA-D7R	96121	Fresnal Dome – Red
TA93, TA94	TA-D7A	96321	Fresnal Dome – Amber
TA93, TA94	TA-D7C	96621	Fresnal Dome – Clear
TA131D	TA-D8R	96970	Acrylic Dome – Red

REMOTE CONTROL DOOR OPENERS

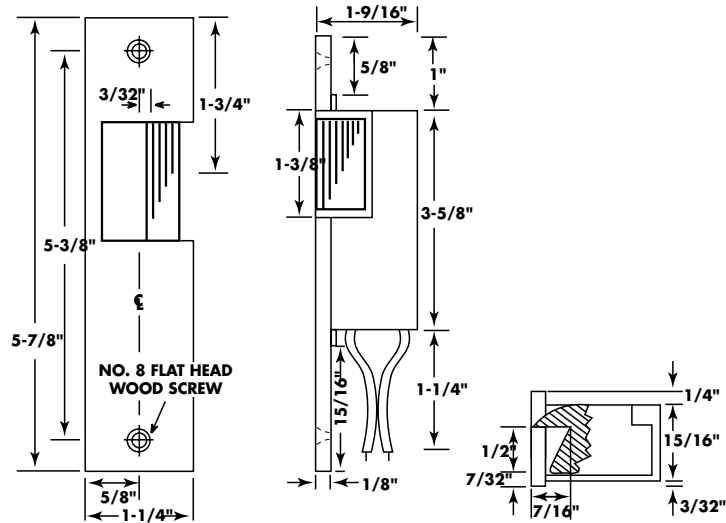
TA152



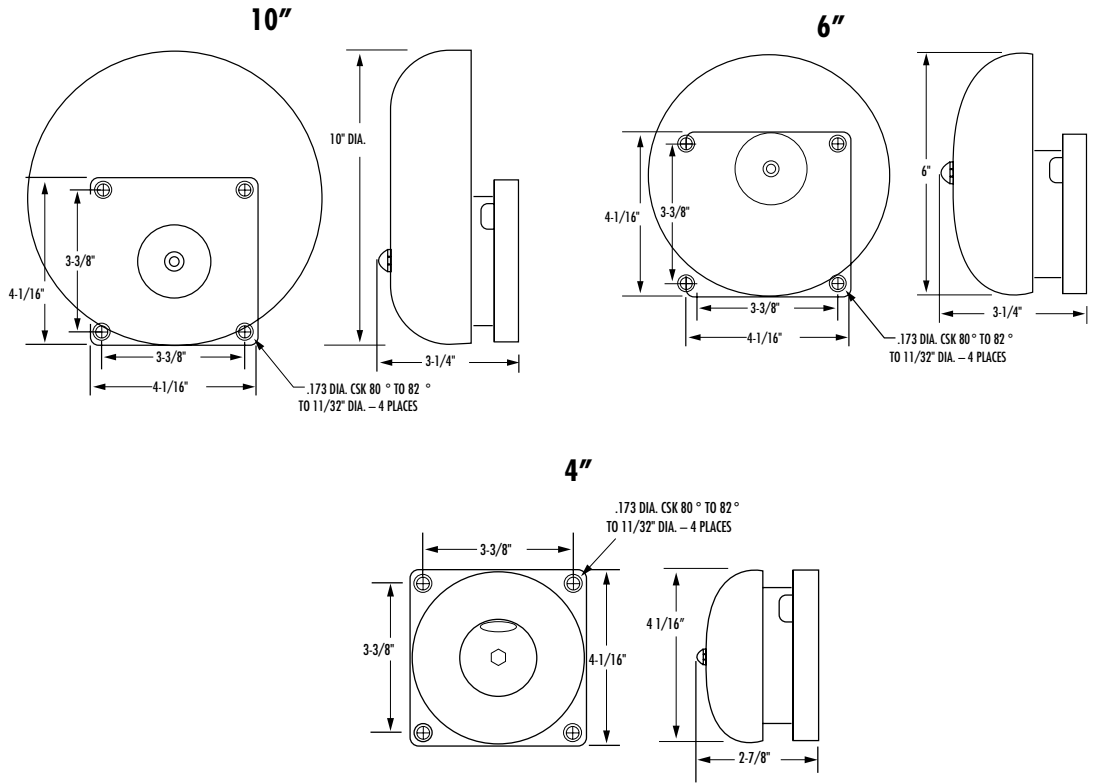
TA154



TA09

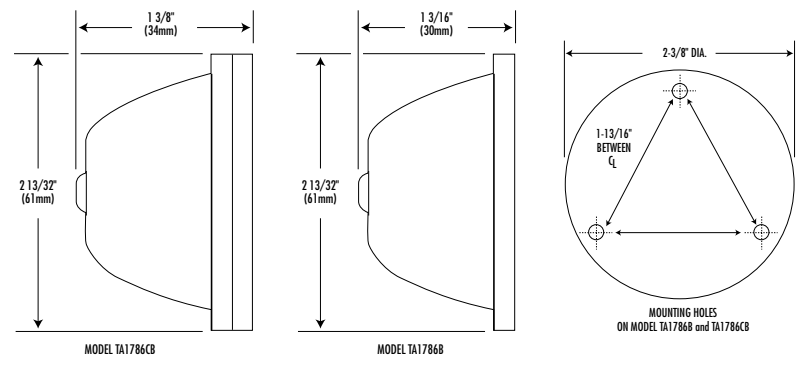


HEAVY DUTY BELLS



WEATHERPROOF BUTTON

TA1786B ONLY







TORK® POOL & SPA CONTROLS

PP PANEL SERIES

POOL AND SPA PANELS



APPLICATIONS

- Pumps
- Swimming pools
- Fountains
- Ponds



PP125R

FEATURES

COMBINATION PANEL: The PP Panel Series provides a flexible platform to create a custom pool and spa control at an off the shelf price. Start with a blank panel and add timers, freeze controls, circuit breakers, switches and outlets for a custom installation.

PP-100R: 100 amp load center 120-240V, 5/10 circuit breaker base.

PP-125R: 125 amp load center 120-240V, 8/16 circuit breaker base.

CONTROLS: Freeze protection or mechanical and digital timers are all available with unique features not found elsewhere in the industry. Find specification details on pages 589-593.

BREAKERS: Listed for Cutler Hammer (BR), GE (THQL), Murray/Siemens (MP) and Square D (HOM) (not included).

REVERSIBLE DOOR: Easy-Hinge patented removable and reversible door. Change from left to right opening. Solves installation issues in the field.

WHILE-IN-USE COMPARTMENT: Inside mounting for two devices with cord exit.

DEVICE MOUNTING: Provision for mounting one or two devices in any combination accepts toggle, GFCI, X-10 and UPB type devices in, PP-100R and PP-125R enclosures.

TRANSFORMER: Select panels include 120V input: 100 watt with output 12V/13V or 300 watt with output 12V/13V/14V.

ENCLOSURE: Metal NEMA 3R with lockable hasp. See pages 589-593 for dimensions.



PP100R



PP-125R-P4



PP-125R-P4-100X

CAT. NO.	UPC CODE	CONTROL	CONTROL INPUT	ADDITIONAL INFORMATION
PP-100R	94016	-	-	Panel only. Add controls from page 589-593.
PP-125R	94017	-	-	Panel only. Add controls from page 589-593.
PP-125R-P4	53007	P1104-M	240VAC	Add another control from page 589-593.
PP-125R-P4-100X	94018	P1104-M	240VAC	*Includes 100 watt Low Voltage Transformer
PP-125R-P4-300X	94019	P1104-M	240VAC	*Includes 300 watt Low Voltage Transformer

*For stand alone transformer see TPX series page 588.

P1100 SERIES

SWIMMING POOL TIMERS, 24 HOUR ELECTROMECHANICAL CONTROL

REAL TIME SWITCH FACE: Easy to set and check time.

CAPTIVE TRIPPERS: 15 minute intervals, no lost trippers.

HEATER CONTACTS: FM suffix includes "Fireman Switch" to turn off pool heater 20-30 minutes before timer turns OFF. Contact rates SPST, 15A @120V.

THERMOSTAT: PFP models include built in Freeze Protection. No extra wiring. Thermostat turns on load at user settable level between 33°F and 42°F. Moving water prevents costly freeze damage.

ACCESSORY CONTACT: PF models include extra contact to accept PFPT Freeze Protection Accessory. Thermostat turns ON load at user settable level between 33°F and 42°F. Moving water prevents costly freeze damage.

TIMER INTERLOCK: Makes one second timer dependant on operation of another timer.



QUICK INSTALL/RELEASE LEVER:
For easy installation and removal when installing into pool panels.

LOAD INDICATOR LAMP

CONVENIENT EXTERNAL ROCKER SWITCH:
3 position switch: OFF/ON/AUTO. Use switch to turn OFF pump at the end of pool season.



CAT. NO.	UPC CODE	INPUT SUPPLY (VAC) 60Hz	CONTACTS	RESISTIVE/INDUCTIVE RATINGS	HP RATING	NOTES
❄️ PFP2-M	94026	240	DPST	40A	7.5HP @ 240V	Thermostat only
❄️ PFP3-M	94027	120/240 w/neutral	DPST	40A	3 HP @ 120V 7.5HP @ 240V	Thermostat only
P1101-M	10056	120	DPST	40A	3 HP @ 120V	-
P1101FM-M	10060	120	DPST	40A	3 HP @ 120V	Fireman Switch
PF1101-M	94020	120	DPST	40A	3 HP @ 120V	Accepts PFPT thermostat input
PF1101FM-M	94024	120	DPST	40A	3 HP @ 120V	Fireman Switch & Accepts PFPT thermostat input
❄️ PFP1103-M	94023	120/240 w/neutral	DPST	40A	3 HP @ 120V 7.5HP @ 240V	Freeze Protection included
P1104-M	10057	240	DPST	40A	7.5HP @ 240V	-
P1104FM-M	10061	240	DPST	40A	7.5HP @ 240V	Fireman Switch
❄️ PF1104-M	94021	240	DPST	40A	7.5HP @ 240V	Accepts PFPT thermostat input
PF1104FM-M	94025	240	DPST	40A	7.5HP @ 240V	Fireman Switch & Accepts PFPT thermostat input
❄️ PFPT	94028	120/240	-	-	-	Thermostat accessory

*PFPT



NOTE: "❄️" = Indicates Freeze Protection.

PEW100 SERIES

SWIMMING POOL TIMERS, 7 DAY DIGITAL CONTROL



QUICK INSTALL/RELEASE LEVER: For easy installation and removal when installing into pool panels.

LOAD INDICATOR LAMP

LARGE LCD DISPLAY

LARGE "MANUAL" BUTTON: 3 operating modes available: OFF/ON/AUTO. Using the OFF mode, the pool can be closed down without disrupting the time settings.

POWER OUTAGE BACKUP: Battery retains time and schedule.

7 DAY PROGRAMMING ONE MINUTE INTERVAL: Allows for the control of various electrical equipment on a 7 day schedule. 15 schedule weekly programs.

THERMOSTAT: PFPEW models include built in Freeze Protection. No extra wiring. Thermostat turns on load at user settable level between 33°F and 42°F. Moving water prevents costly freeze damage.

ACCESSORY CONTACT: PFEW models include extra contact to accept PFPT Freeze Protection Accessory. Thermostat turns ON load at user settable level between 33°F and 42°F. Moving water prevents costly freeze damage.

TIMER INTERLOCK: Makes one timer dependant on operation of another timer.



CAT. NO.	UPC CODE	INPUT SUPPLY (VAC) 60Hz	CONTACTS	RESISTIVE/INDUCTIVE RATINGS	HP RATING	NOTES
PEW101-M	82432	120	DPST	40A	3 HP @ 120	-
PFWEW101-M	94029	120	DPST	40A	3 HP @ 120	Accepts PFPT thermostat input
PFPEW1102-M	94031	240	DPST	40A	7.5HP @ 240V	Freeze protection included
PFPEW1103-M	94032	120/240 w/neutral	DPST	40A	3 HP @ 120V 7.5HP @ 240V	Freeze protection included
PEW104-M	82442	240	DPST	40A	7.5HP @ 240V	-
PFWEW104-M	94030	240	DPST	40A	7.5HP @ 240V	Accepts PFPT thermostat input

NOTE: " " = Indicates Freeze Protection.

1100 SERIES

SAME ON/OFF TIMES EACH DAY SWIMMING POOL TIME SWITCHES



SPECIFICATIONS

INPUT VOLTAGE: 120 or 208-277VAC, 60Hz (varies by model).

TIMING ACCURACY: Line frequency.

TERMINAL RANGE: #8 - #14AWG.

OPERATING TEMPERATURE: -40 °F to 165 °F (-40 °C to +74 °C).

POWER CONSUMPTION: 3 watt max.

ENCLOSURE: Lockable hasp. Type varies by model. See pages 589-593 for dimensions and additional enclosure information.

APPLICATIONS



- Pool pumps
- Heaters
- Lighting

FEATURES

SCHEDULING: Minimum ON setting is 20 minutes with a minimum OFF setting of 75 minutes. Dial accommodates up to 12 pairs of trippers. One pair included.

MANUAL OVERRIDE: Until the next regularly scheduled ON or OFF automatic operation then resumes.

TYPE	VOLTAGE	CONTACT RATING
General Purpose	120-277VAC	40A
Resistive	120-277VAC	40A
Tungsten	120VAC	40A
Ballast	120-277VAC	20A
LED Driver*	120-277VAC	20A
Motor	120VAC 240VAC	2HP 5HP

277VAC Single Phase

*UL only or cULus on B suffix units.

CAT. NO.	UPC CODE	INPUT SUPPLY (VAC) 60Hz	OUTPUT CONTACTS	ENCLOSURE TYPE
1101B*	10064	120	SPST	Metal Indoor NEMA 1
1101BM-IAP*	10073	120	SPST	Mechanism and mounting plate
1104B*	10067	208-277	DPST	Metal Indoor NEMA 1
1104B-P*	10070	208-277	DPST	Polycarbonate Indoor/Outdoor NEMA 3R
1104B-O*	10075	208-277	DPST	Metal Indoor/Outdoor NEMA 3
1104BM-IAP*	10074	240	DPST	Mechanism and mounting plate
1101FM-N	10043	120	SPST	Noryl® Indoor/Outdoor NEMA 3R with fireman switch
1104FM-N	10044	208-277	DPST	Noryl® Indoor/Outdoor NEMA 3R with fireman switch
1101FM-M	10043	120	SPST	Mechanism with fireman switch
1104FM-M	10044	208-277	DPST	Mechanism with fireman switch
1101D	10028	120	Two 1101 SPST each	Metal Indoor/Outdoor NEMA 3R
1104D	10029	208-277	Two 1104 DPST each	Metal Indoor/Outdoor NEMA 3R
1104DF	10032	208-277	One 1104 One 1104FM	Metal Indoor/Outdoor NEMA 3R
Replacement Trippers	Order #P47 for a pair of ON/OFF trippers Order #PF48 for a pair of ON/OFF trippers for 1100FM series			
Replacement Motor	#101 (120V) & #201 (208-277V)			

* B suffix units cULus.

POOL & SPA JUNCTION BOXES



JPB75175

APPLICATIONS



- For installation of underwater pool lights or low voltage connections

FEATURES

- Durable PVC molded case
- INTERIOR & EXTERIOR bonding
- Flexibility for conduit sizing
- Built-in strain relief cord clamps
- Line or low voltage wiring
- Complete compliance with UL Standard 1241

CAT. NO.	UPC CODE	DESCRIPTIONS	CONDUIT HUBS
JBP75175	95457	Two Light Junction Box	3/4" / 1/2" / 1"
JBP57510	95485	Four Light Junction Box	1/2" / 3/4" / 3/4" / 1" / 1"

TIMER MECHANISMS



SPECIFICATIONS

- INPUT VOLTAGE:** 120 or 240VAC, 60Hz (varies by model).
- TIMING ACCURACY:** Line frequency.
- TERMINAL:** Male 1/4" spade connection
- OPERATING TEMPERATURE:** -40 °F to +158 °F (-40 °C to +70 °C).
- POWER CONSUMPTION:** 5mA max.
- SIZE:** 60 x 60 x 35mm
- MOUNTING:** 4 mounting holes 54mm square

APPLICATIONS



- Replacement timer for pool mechanism
- OEM panel mount timer

FEATURES

- SCHEDULING:** Minimum ON setting is 15 minutes with minimum OFF setting at 15 minutes. Dial has 96 captive tabs.
- EASY-SET:** Real time clock face and day/night markings for setting trippers.
- BYPASS SWITCH:** Sets timer to permanent ON, OFF or timer operation.

CAT. NO.	UPC CODE	INPUT VOLTAGE (VAC) 60 Hz	OUTPUT CONTACTS
75151	94062	125	SPDT
75152	94063	240	SPDT

LOAD TYPE	RATINGS	
	75151 VOLTAGE (VAC)	75152 VOLTAGE (VAC)
General Purpose	125, 15A	240, 15A
Resistive	-	240, 15A
Motor	-	240, 3/4 HP

DPC201 SERIES

DIGITAL TWO-SPEED PUMP TIMER



SPECIFICATIONS

TIMING ACCURACY: Line Frequency.

INPUT VOLTAGE: 120-277VAC, 50/60Hz (automatic detection).

TERMINAL RANGE: #8 - #16AWG.

OPERATING TEMPERATURE: -40 °F to +149 °F (-40 °C to +65 °C).

POWER CONSUMPTION: 6VA max.

ENCLOSURE: Indoor/Outdoor NEMA 3 Metal with locking hasp. See pages 589-593 for dimensions and additional enclosure information.

APPLICATIONS



- Swimming pools with two-speed pump motors

FEATURES

PUMP PROTECTION: Unit always starts on HIGH with 5 minute countdown before switching to low.

SCHEDULING: Up to 3 HIGH/LOW/OFF cycles repeat each day. Minimum setting 5 minute.

MANUAL OVERRIDE: Hold OFF until midnight then follows the next regularly scheduled HIGH/LOW/OFF operation.

DAYLIGHT SAVING: Automatic adjustment (can be omitted).

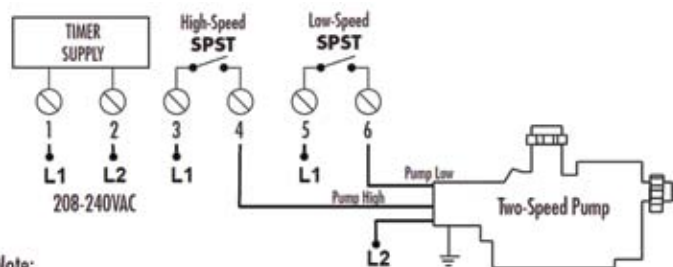
LEAP YEAR: Automatic Compensation.

CLOCK FORMAT: AM/PM

POWER OUTAGE BACKUP: Permanent schedule retention. Super capacitor provides 4 days of real time backup.

CAT. NO.	UPC CODE	INPUT SUPPLY (VAC) 50-60Hz	OUTPUT CONTACTS
DPC201	82457	120-277	SPST

LOAD TYPE	RATINGS	
	120VAC	208-277VAC
Motor	1HP	1 1/2 HP@208VAC 2 HP@240-277VAC
Resistive	40A	40A
Inductive	40A	40A
Ballast	30A	20A
Tungsten	15A	-
Pilot Duty	720VA	720VA



Note:

- A) Power must be supplied to each terminal marked L1
- B) For 120VAC motors use Neutral in place of L2

TPX SERIES

DIGITAL TWO-SPEED PUMP TIMER



TPX100



TPX600

SPECIFICATIONS

INPUT VOLTAGE: 120VAC 60 Hz.

OUTPUT VOLTAGE:

TPX100(S): 12 & 13 VAC 100 Watts max.

TPS300(S): 12, 13, & 14 VAC
300 Watts max.

TPX600: 12, 13, & 14 VAC 2 x 300
Watts max.

COLOR: Grey or Stainless Steel.

ENCLOSURE SIZE: TPX100(S) and
TPX300(S) 7.2 H x 5.1 W x 4.2 D inches.

TPX600 10.4 H x 7.3 W x 4.2 D inches.

APPLICATIONS



- Swimming pool and spa lighting
- Submersible fixtures
- Landscape lighting
- Fountain lighting

FEATURES

LOW VOLTAGE: Designed for the safe operation of 12 volt lighting loads including no niche fixtures.

POOL & SPA: 100 watt unit for outdoor use only. 300 and 600 watt units for indoor or outdoor use.

LANDSCAPE LIGHTING: 100 watt unit for outdoor use only. 300 and 600 watt units for indoor or outdoor use. All units for outdoor use only in Canada.

SAFE OPERATION: Full ground shield between primary and secondary.

OVERLOAD PROTECTION: Automatic resetting internal overload protection.

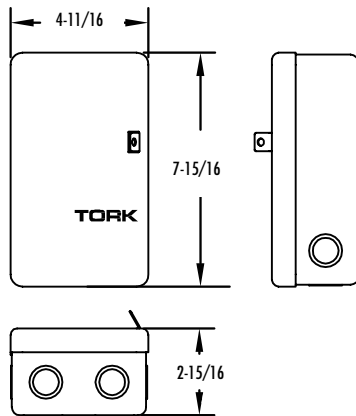
CAT. NO.	UPC CODE	INPUT SUPPLY 60Hz	OUTPUT CONTACTS
TPX100	94052	120VAC 1 AMP Max.	Painted Steel
TPX100S	94053	120VAC 1 AMP Max.	Stainless Steel
TPX300	94054	120VAC 3 AMP Max.	Painted Steel
TPX300S	94055	120VAC 3 AMP Max.	Stainless Steel
TPX600	94056	120VAC 2 x 3 AMP Max.	Painted Steel

ENCLOSURES

Standard For Models

Metal Indoor NEMA 1 Enclosure #68229

1101B 7122
 1102B 8001
 1103B 8004
 1104B 8061
 1101FM 8121
 1104FM 8301
 7100 8602
 7102 TU40-Y
 7200 EW101B-Y
 7202 EW103B-Y
 1101-7 EW201-Y
 WH2B EW120B-Y
 7120

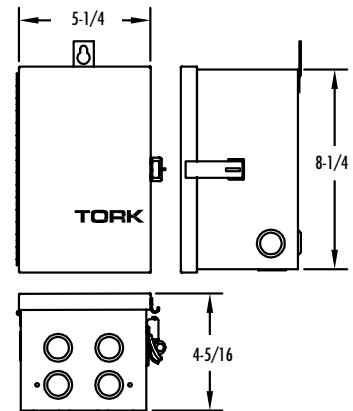


Standard For Models

METAL Indoor/Outdoor NEMA 3 Model 9000A – Suffix "O"

7300, L, Z, ZL
 7302, L, Z, ZL
 8007U-0
 8001-0
 8001U-0
 8007-0
 DZS100BP-0
 DZS200BP-0
 DZM200BP-0
 DZS200BP-0
 DW200B-0

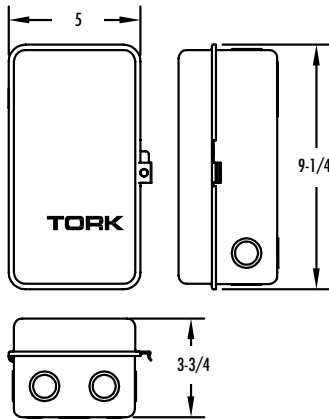
NEMA 1 enclosures
 standard for model
 5401A



Standard For Models

Metal Indoor NEMA 1 Enclosure #63100-6

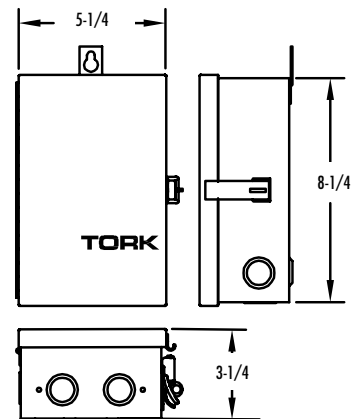
7220 LDS-A
 7200L LDSH-A
 7202L DG100A-Y
 7120L DGM100A-Y
 1847A DGU100A-Y
 8007 DGUM100A-Y
 8007L LC200
 8007U 8001U
 8008
 8008L



Standard For Models

METAL Indoor/Outdoor Model 9000B – Suffix "O"

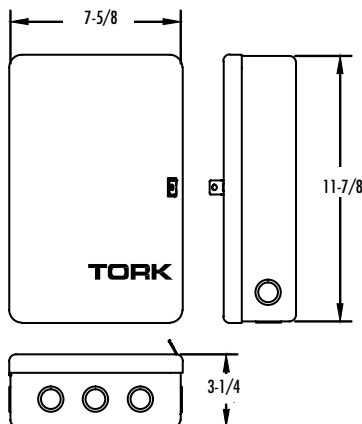
1103B-0
 1104B-0
 DPC201



Standard For Models

Metal Indoor NEMA 1 Enclosure #70100

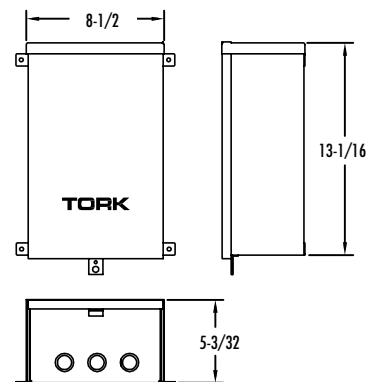
W100
 W200
 W202
 W120
 W220
 W222
 W220L
 W222L
 1847 AW
 W400B
 W402B
 W400BL



Standard For Models

Metal Indoor/Outdoor Model #9006

TZ220L-0
 TZ300L-0
 T920L-0
 T930L-0



ENCLOSURES

Standard For Models **NORYL® Indoor/Outdoor NEMA 3R Model #900N**

7200Z, ZL
7202Z, ZL
7120Z, ZL
7122Z, ZL
8001-N
8001U-N
SMC-3D
D Series
DZM Series
DZS Series
DTS Series
DW Series
DWZ Series

Standard For Models **Polycarbonate Indoor/Outdoor NEMA 3R #74431-1**

TU40
1101B-P
1103B-P
1104B-P
EH20C
DTU40
E101PB
E Series
EW Series
EWZ Series

Standard For Models **NORYL® & LEXAN® Indoor/Outdoor NEMA 3R Model #9000NC**

8001-NC
DGLC100A-NC
DGLC200A-NC

Standard For Models **Polycarbonate Indoor/Outdoor NEMA 3R With Clear Cover**

1101B-PC
1103B-PC
1104B-PC
EW103B-C
EW120B-C

NEMA 1 enclosure standard for models DTWH40

Standard For Models **Metal Indoor**

SA300
SA306

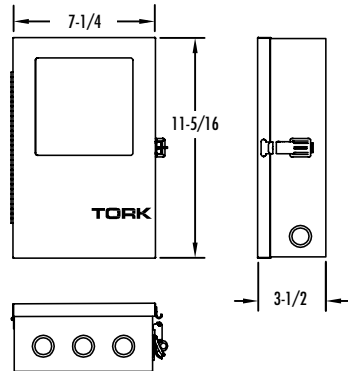
Standard For Models **Metal Indoor/Outdoor**

SA400

ENCLOSURES

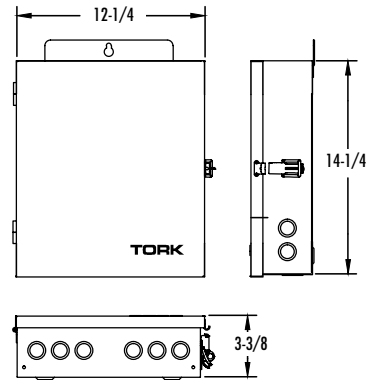
Standard For Models ELC74 Enclosure

ELC74



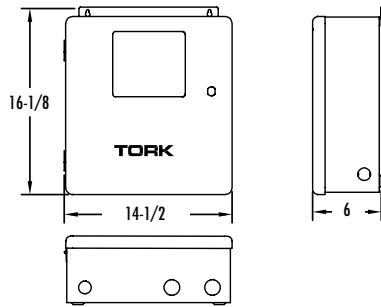
Standard For Models DLC400BP

DLC400BP



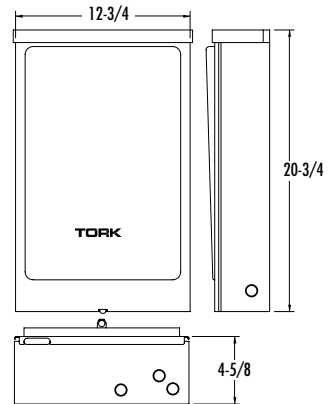
Standard For Models ELC78 & ELC712 Enclosure

ELC78
ELC712



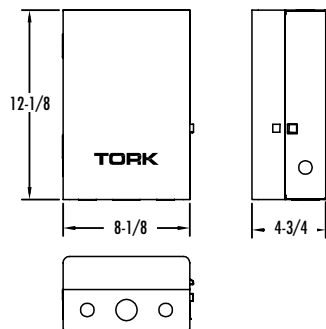
Standard For Models 5441A

5441A



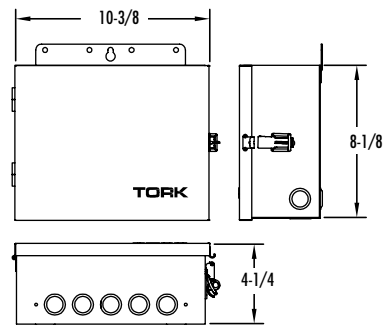
Standard For Models Metal Indoor NEMA 1 Enclosure Model #63016-1

TZ220L
TZ300L
W300
W300L
W302L
TW220L
TW300L
T920L
T930L
TW222L
TW302L



Standard For Models Metal Duplex Indoor/Outdoor Model #9004L

1101D
1104D
1104DF



Standard For Models **EWJT & E500T Series Enclosure**

EJWJ
E500T
E501T
E502T
ACT30MA

Technical drawings of the EWJT & E500T Series Enclosure. The top view shows a square enclosure with a width of 4-13/16 and a height of 4-13/16. The side view shows a depth of 3-5/16 and a mounting flange height of 4-1/8. A bottom view shows two circular ports and a central button.

Standard For Models **LDS Series Mounting with Bracket**

LDS

Technical drawings of the LDS Series Mounting with Bracket. The front view shows a rectangular enclosure with a width of 3-13/32 and a height of 5-37/64. The side view shows a depth of 1-13/16. The enclosure is labeled "TORK" and is shown with a "SNAP TRACK" for mounting.

Standard For Models **PCT15M**

PCT15M

Technical drawings of the PCT15M enclosure. The front view shows a rounded rectangular enclosure with a width of 4 and a height of 4. The side view shows a depth of 2-1/2 and a mounting flange height of 3. The enclosure features a "TORK" logo, a "PERCENTAGE ON" indicator, and two buttons.

Pool Panel Series

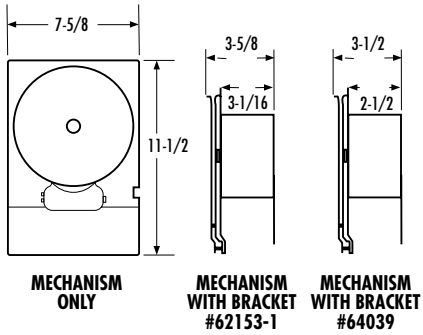
Technical drawings of the Pool Panel Series enclosures. The left side shows the PP-100R model with a width of 11 and a height of 17-3/4. The right side shows the PP-125R, PP-125R-P4, PP-125R-P4-100X, and PP-125R-P4-300X models with a width of 12-3/4 and a height of 20-3/4. Both sets of drawings include a side view showing a depth of 4-5/8.

ENCLOSURES

Option For Models

Mechanism & Mounting Bracket

Use bracket
#64039
W100
W120
W200
W220
W202
W222
Use bracket
#62153-1
W300
W302

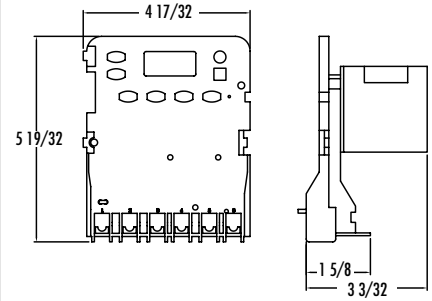


Standard For Models

W/EW/EWZ Series Bracket #65447

EWZ101-MB
EWZ103-MB
EWZ120-MB
EWZ201-MB

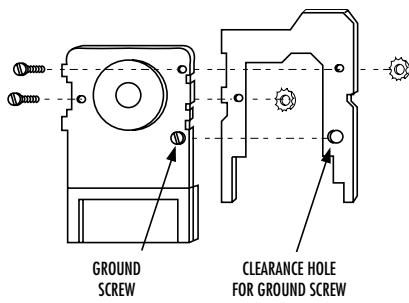
MECHANISM BRACKET



Standard For Models

IAP Bracket Intermatic® Adapter Plate

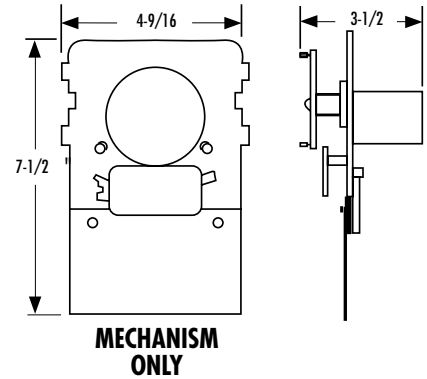
1101BM-IAP
1104BM-IAP
Option For Models
1102B
1103B
7100
7102
7200
7202
7120
7122
E Series
EW Series
EWZ Series



Standard For Models

Mechanism & Mounting Bracket #65447

8001-LC/WB
1101-M
1102-M
1103-M
1104-M
7000 Series
1847A
8121
8601
8301



ALPHANUMERIC INDEX

ITEM	PAGE	ITEM	PAGE	ITEM	PAGE
01082	156	2018	438	5404-3A	442
0T – 1000T	13	2021	439	5441A	520
0TC – 6TC-1	41	2022	439	5500	448
1012 – 1042	135	2024 – 2042	137	5500-0C	448
1101B	455, 585	2101	435	5737TM	447
1101-7	455	2104	435	5737TZ	447
1101BM-IAP	455, 585	2107	435	602B	559
1101B-P	455	2115	436	640-PM	335
1101B-PC	455	2116	436	642E	560
1101D	585	2117	436	652B	559
1101FM-M	585	2223	448	654E	560
1101FM-N	585	2224	448	701A	546
1102B	455	2421	448	701AA	546
1103B	455	300T-2 – 800T-4	19	705-16 – 1150-20	314
1103B-P	455	350LL2 – 8-1000LL12	29	711A	546
1103B-PC	455	36175 – 481750	337	750P – 1450P	335
1103B-O	455	3000	440	7100	457
1104B	455, 585	3002	440	7102	457
1104BM-IAP	455, 585	3006	440	7120	457
1104BM-MB	455, 585	3010	440	7120L	457
1104B-O	455, 585	4-250L4 – 4-1000L4	17	7120Z	459
1104B-P	455, 585	402B	555	7120ZL	459
1104B-PC	455	403B	555	7122	457
1104D	585	405B	555	7200L	457
1104DF	585	418 – 60175	331	7200	457
1104FM-M	585	418-4 – 1450-5	339	7200Z	459
1104FM-N	585	418-ID – 818H-ID	336	7200ZL	459
1847A	465	418-SB – 14120-SB	347	7202	457
1847AW	465	418X – 14500X	331-334	7202L	457
2/0–14	131	454E	557	7202Z	459
2/OTP – 2-600TP	23	455E	557	7202ZL	459
2-14 – 4-14	131	457Z	557	7220	457
2-OT-2-1000T	13	460E	557	7220L	457
2-350L4 – 8-350L8	31	4180 – 601750	333	7300	457
2-350T2 – 8-350T4	31	530MH – 141200MH	345	7300L	457
2C-14, 4C-14	131	5001M	441	7300Z	459
2SR – 750SR	21	5004M	441	7300ZL	459
250L2 – 1000L2	15	5007M	441	7302	457
2000	437	5008M	441	7302Z	459
2000-2	437	5021M	441	7302ZL	459
2001	438	5024M	441	73866	435
2002	438	5026M	441	750-16-1150-20	341
2005A	443	5231A	445	75151	586
2005B	444	5237A	445	75152	586
2006	438	5237-UL	446	7(5000) CW, CQ	312
2007A	443	5401A	520	76(000)PS	313-315
2007B	444	5403A	442	76(000)PW	313-314
2008B	444	5404A	442	77(000)RQ	309

ITEM	PAGE	ITEM	PAGE	ITEM	PAGE
77(000)RW	311	A530MW	551	CSP	105
78(000)TQ	316-319	A560M	551	CT	103, 258
78(000)TS	316-319	A560MH	551	CTH	104, 258
78(000)TW	316	A560MHW	551	CTK	307
79(000)LW	320-322	A560MW	551	CTP	343
79(000)LQ	321	ACT30MA	516	D1060LA	550
79(000)MS	311-312, 319	ADJCC	354	D1060M	550
79(000)MSR	319	AL	51	D1060MW	550
850-R	338	AL (C.Blok), AM, AS	117-122	D212H	550
8001	461	AL-N	53	D212HA	550
8001-LC/WB	461	APS	109	D212HW	550
8001-N	461	ASC	55	DBL	159
8001-NC	461	B	277	DE	43
8001-O	461	BKM	412,414	DFR	299
8001U	461	BKS	411,413	DG100A	491
8001U-N	461	BS400T, T2	25	DG100A-Y	491
8001U-O	461	BT	368	DG180A	511
8004	461	BTP	23	DG200A	491
8007	461	BY	159	DG280A	511
8007L	461	C	273	DG280A-24	511
8007-O	461	C-8 – C-750	89	DGLC100A-NC	503
8007U	461	C2 – C9	61	DGLC200A-NC	503
8007U-O	461	C412H	552	DGM100A	491
8008	461	C460M	552	DGM100A-Y	491
8008L	461	C502H	552	DGS100A	511
8121	463	C506H	552	DGS100A-12	511
8301	463	C512H	552	DGS100A-24	511
8601	463	C512HH	552	DGU100A-Y	503
90058-1	521	C515M	552	DGUM100A	503
A502H	551	C530M	552	DGUM100A-Y	503
A502HHW	551	C560M	552	DIN100B	517
A502HW	551	C560MH	552	DIN200B	517
A506H	551	CAL	65	DLC400BP	507
A506HHW	551	CB-11 – CB-120	134	DMT	285
A506HW	551	CB	161	DPC201	587
A512H	551	CBH	161	DRD, DRE, DRF, DRJ, DRT	127
A512HH	551	CCM	160	DS	170
A512HHW	551	CCR	160	DSS	367
A512HW	551	CD	158	DTD35LED	391
A515M	551	CDP	105	DTS100B	495
A515MA	551	CG	425	DTS200B	495
A515MH	551	CN	133	DTS400B	495
A515MHW	551	COS-ADP	530-533, 535	DTU40	479
A515MW	551	COS-L	531	DTWH40	479
A530M	551	COS-L2T	530	DW200B	493
A530MA	551	COS-LU	532	DWZ100B	493
A530MH	551	COS-M	533	DZM200BP	499
A530MHW	551	CPS-L	535	DZS100BP	497

ALPHANUMERIC INDEX

ITEM	PAGE	ITEM	PAGE	ITEM	PAGE
DZS100BP-0	497	EWEF	328	G-(1)-S-DBR	245
DZS200BP	497	EWFT	328	G-1 – G-66	246-248
DZS200BP-12	497	EWG	326	G-140DB	244
DZS200BP-24	497	EWGC	329	G-1-S – G-6-S	246
DZS200BP-0	497	EWHR	329	G-20DB	244
DZS400BP	497	EWMT	329	G-3-BS	245
DZS400BP-0	497	EWP	325	G-79 – G-90	250
E101B	485	EWPP	326	GBA	255
E101PB	485	EWRT	327	GBC	255
E103B	485	EWSR	328	GBIAL, GBIBZ	254
E120B	485	EWWH	327	GC	27
E201B	485	EWZ101	489	GCA	247
E500T	513	EWZ101-MB	489	GGC	262
E501T	513	EWZ103	489	GH	251
E502T	513	EWZ103-MB	489	GHM	251
EC	49	EWZ120	489	GL	81-84
EEL	416	EWZ120-MB	489	GLA	25, 242
EG	249	EWZ201	489	GL-B	91
EH20C	481	EWZ201-MB	489	GLC	241-242
EJWT	513	EXL	416	GL-N	85
EL	419	F	301	GL-NB	97
ELC712	505	FBP	418	GLN-X	101
ELC74	505	FCT	295	GP	27
ELC78	505	FD	361	GRC	252-253
EMFW	415	FL	408	GSC, GSH	262
EMHD	418	FL-LED	408	GSS	225
EMTW	415, 417	FLBR	409	GST	426
EMWL	417	FLHBR	404	GZ	252
EPC-A	503	FLC	404	GZB	252
EPC-LC	505	FLF	409	HB	168
ESB2	322	FLH	407	HHK	234
ESGHS	224	FLLP	408	HLC	49
ESGS	221	FLM	407	HMSS	228
ESGTS	222	FLPTM	124	HN	168
ESSLK	223	FQC	261	HOS-M	534
ESUF	220	FS008-FS350	39	HPS30	521
ET-CP	269	FS	261	HSC	230
EW101B	487	FS-136	371	HTF	293
EW101B-Y	487	FS-814	371	HTGE	260
EW103B	487	FSIC	371	HTM	293
EW103B-C	487	FSP	371	HTP	293
EW103B-Y	487	FSPP	371	HTR	293
EW120B	487	FTBFP	127	HTS, HTSF	293
EW120B-C	487	FTH	350	HWHS	231
EW120B-Y	487	FTS	161	IF	297
EW201B	487	FW	168	IFL	299
EW201B-Y	487	G-(1)-S-BS	243	IFS	297
EWDT	327	G-(1)-S-DB	243	IM	295

ITEM	PAGE	ITEM	PAGE	ITEM	PAGE
IPCS	115	N	106-107	PP-125R	582
IPL	183-186	N12ID, N1240	155	PP-125R-P4	582
IPLD	187-190	NC	355	PP-125R-P4-100X	582
IPLDH	193	NCH	355	PP-125R-P4-300X	582
IPLDS	191	NH-1, NH-3, NH-4	162	PT	57
IPLG	123	NMS, NMT	139	PT-12V – PT-22V	291
IPLM	195	NSi-12	157	PTC	291
IPLMD	197-200	NSi 33-12	307	PTO	59
IPLW	177	N-SP	108	PTS	59
ISE	67	OD	159	QF	410
ISPB	201	OJB	159	R	285-290
ISPC	201	OX	170	RC38	245
ISR	181	P	297	RC50	245
ISW	175	P-750	157	RC58	245
IT	179	P1101FM-M	583	RDC 1/0	159
ITB	129	P1101-M	583	RLD	362
IT-BW	363	P1104FM-M	583	ROS	226
ITG	173	P1104-M	583	RS200	425
ITH	179	P47	553	RSK	227
ITO	179	PAA	47	S	279-284
ITOG	173	PAE	47	S-1 - S-10	102
ITW	177	PC-LC, PC-LSW	357-361	S300	23
J	124	PCT15M	515	SA 382 – SA 582	261
JBP57510	586	PEW101-M	584	SA011	556
JBP75175	586	PEW104-M	584	SA100	556
KA	156	PF	291	SA10-400, SA500-1000	80
KC	156	PF1101FM-M	583	SA105	556
L, L-P	69-72	PF1101-M	583	SA110	556
L-B	93	PF1104FM-M	583	SA130	557
LC200	501	PF1104-M	583	SA134	557
LC200M	469-470	PFEW101-M	584	SA170	545
LCS115M	473, 504	PFEW104-M	584	SA204	560
LDS	509	PFP1103-M	583	SA205	559
LDS-A	509	PFP2-M	583	SA210	562
LDSH-A	509	PFP3-M	583	SA215	561
LK	141	PFPEW1102-M	584	SA220	562
LN, LN-P	73-78	PFPEW1103-M	584	SA230	558
L-NB	95	PFPT	583	SA300	483
M	295	PG	262	SA306	483
M-250, M-500	159	PHMN	409	SA400	483
MP	362	PIWC	271	SA500	558
MPM	354	PL	207-210	SB	273
MTK	303	PLH	205	SC	425
MTK-175	305	PM	291	SC	87
MTK-2218	306	PNC	352-353	SC-B	99
MTK-1614	306	Polaris Custom	211	SF	299
MTK-1210	306	Polaris Installation	213	SFTZ	35
MTKL	304	PP-100R	582	SITG	173

ALPHANUMERIC INDEX

ITEM	PAGE	ITEM	PAGE	ITEM	PAGE
SKAB, SKCB, SKDB	229	TA1786B	572	TA603	572
SKSS	228	TA1786CB	572	TA603L	572
SKUF	229	TA1880 B	570	TA606	575
SL-N	79	TA1880 G	570	TA61	571
SLUL	425	TA1882 B	570	TA62	571
SLW	168	TA1882 G	570	TA620	572
SM	351	TA1886 B	570	TA620B	572
SMC3D	519	TA1886 G	570	TA620L	572
SOTZ	35	TA1887 B	570	TA620LB	572
SPM	111–112	TA1887 BK	570	TA631	572
SR	367	TA1887 G	570	TA631L	572
SRNY	355	TA215LB	572	TA635	572
SRPE	355	TA236	571	TA640	575
SS13B	549	TA270A	568	TA656B	572
SS13F	549	TA315-1N5	568	TA666BK	572
SS20	549	TA340-10G5	566	TA67W	567
SS20F	549	TA340-4G5	566	TA725	567
SS34 – SS66	169	TA340-4N5	566	TA740	567
SS403	547	TA340-6G5	566	TA744	567
SS410	547	TA340-6N5	566	TA874-N5	565
SS423	547	TA434-10N5	566	TA874-N5R	565
SS700Z	541	TA434-4N5	566	TA875-1G1	566
SS700ZA	541	TA434-6N5	566	TA875-G1	565
SS720A	543	TA44	571	TA876-N5	565
SS720AA	543	TA45	571	TA879	574
SS720Z	544	TA46	571	TA880-N5	565
SS721Z	541	TA47AN5	573	TA93-2AN5	573
SS721ZA	541	TA47AR5	573	TA93-2BN5	573
SS8100 – SS26250	338	TA47RN5	573	TA93-2CN5	573
SSBW	169	TA502	571	TA93-2RN5	573
SSCT	349	TA502SW	576	TA94AN5	573
SSFW	169	TA52AN5	573	TA94BN5	573
SSHN	169	TA52BN5	573	TA94RN5	573
SSSLW	169	TA52RN5	573	TA-ADA	576
ISPB	203	TA53AF1	574	TA-ADR	576
STL	33	TA53AG1	574	TA-B-8332	569
SWL	330	TA54AE1	574	TA-BBSF	576
T920L	469	TA54RE1	574	TAC212WL	567
T930L	469	TA5508H-G1	565	TAC212WS	567
TA09	571	TA590	575	TA-D5B	576
TA1245Y-50	575	TA591	575	TA-D6A	576
TA1245Y-75	575	TA592	575	TA-D7A	576
TA131DAN5	574	TA598	575	TA-D7C	576
TA131DAU1	574	TA599	575	TA-D7R	576
TA131DRN5	574	TA60	571	TA-D8R	576
TA131DRU1	574	TA600	572	TA-DOK	422
TA152	571	TA601	572	TA-L10	576
TA154	571	TA602	572	TA-L10-1	576

ITEM	PAGE	ITEM	PAGE	ITEM	PAGE
TA-L6-2	576	UC	256-257	WPLD	403
TA-L8	576	UCF	426	WPM	400
TA-MTS	566	ULT, ULTD	368	WRD	61-64
TA-SFPF	576	USB-MMP	507	WWC, WWC-GR, WWC-N1, WWC-N2	267
TA-SFPFR	576	V	465, 467, 475		
TA-WBBF	576	V850-V7200	346		
TB	123	VL	367		
TBO - TB4	126	VM	366		
TBS	125	VRM	419		
TC	113	VRS	420		
TCP	114	VTB	425		
TES	164-166	VTC13LED	393		
TFZ	336	VTW	425		
TGE	259	VTW13LED	392		
THK	233	W	49		
TL	45	W100	467		
TL-5-1, TL-6-1	162	W120	467		
TL-ADJ5	162	W200	467		
TL-CCIH	163	W202	467		
TL-CRP	163	W220	467		
TL-DC	163	W220L	467		
TL-ISS	163	W222	467		
TL-LP, TL-LNP	163	W222L	467		
TL-RCR	162	W300	467		
TL-WS6	162	W300L	467		
Tool and Die Charts	143-151	W302L	467		
TOP	273	W400B	467		
TPX100	588	W400BL	467		
TPX100S	588	W402B	467		
TPX300	588	WAGS	219		
TPX300S	588	WAHS	233		
TPX600	588	WC	265		
TRP-24I	530-532, 536	WC-HB1, HB3	265		
TRP-24B	535-536	WH2B	464		
TRT	349	WLD	362		
TS	37	WMB	364		
TU40	453	WMC	365		
TU40-Y	453	WOS-M	527		
TW	167	WOS-M2R	528		
TW-220L	471	WOS-MN	527		
TW-300L	471	WOS-MN2R	528		
TWBS	167	WOS-MN2T	529		
TWHB	167	WOS-SN	526		
TWHS	235-238	WP	396		
TWSB	167	WP-LED	383		
TZ-220L	473	WPC	398		
TZ-300L	473	WPGC	396		
U-BG	159	WPL	403		

NOTES

NOTES

NOTES

NOTES



NSi Vendor Number: **662381**

TORK Vendor Number: **786261**

OTHER PRODUCTS AVAILABLE

NSi can provide many other products for special applications which are not listed in this catalog. If you require an item which you do not find listed, please contact us. We would be pleased to provide a quotation upon receipt of a drawing or a sample.



NSi Headquarters

9730 Northcross Center Court
Huntersville, North Carolina
28078 USA

TORK Manufacturing Facility

1 Grove Street
Mount Vernon, New York
10550 USA



Phone

office 800.321.5847
technical support 888.500.4598



Fax

800.841.5566



Email

nsi@nsiindustries.com



Web

www.nsiindustries.com

Find Us On:



GUARANTEE

It is our goal to provide extraordinary products and services on a daily basis. If our products or service do not meet with your satisfaction, please let us know immediately and we promise to make every reasonable effort to remedy the situation.