

Catalog Number: UA3717-ZB

Features and Ratings

- Ringless Type Meter Socket
- 200A Continuous, 3 Position, 270A Overall
- Outdoor Enclosure (NEMA Type 3R)
- Painted G90 Steel
- 1 Phase, 3 Wire, 600V AC
- 5 Jaw
- Horn Bypass
- For Overhead or Underground Service
- HD Hub Opening, with Cover Plate Factory Installed

Accessories

Meter Opening Cover Plate
Cat No: H659-0162

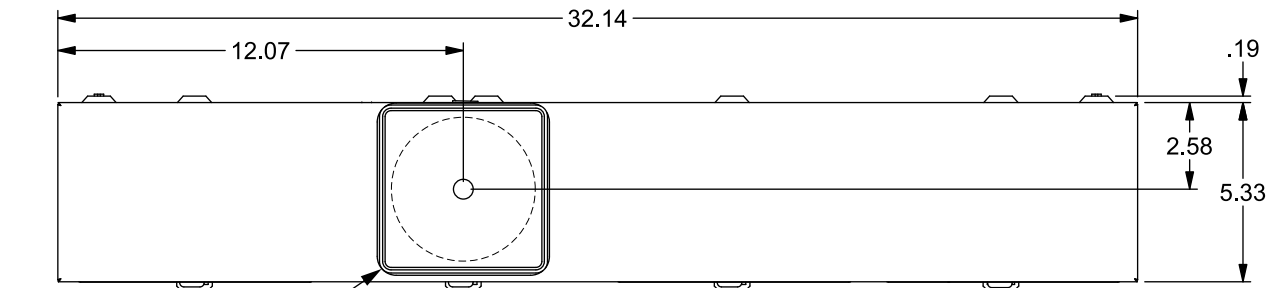
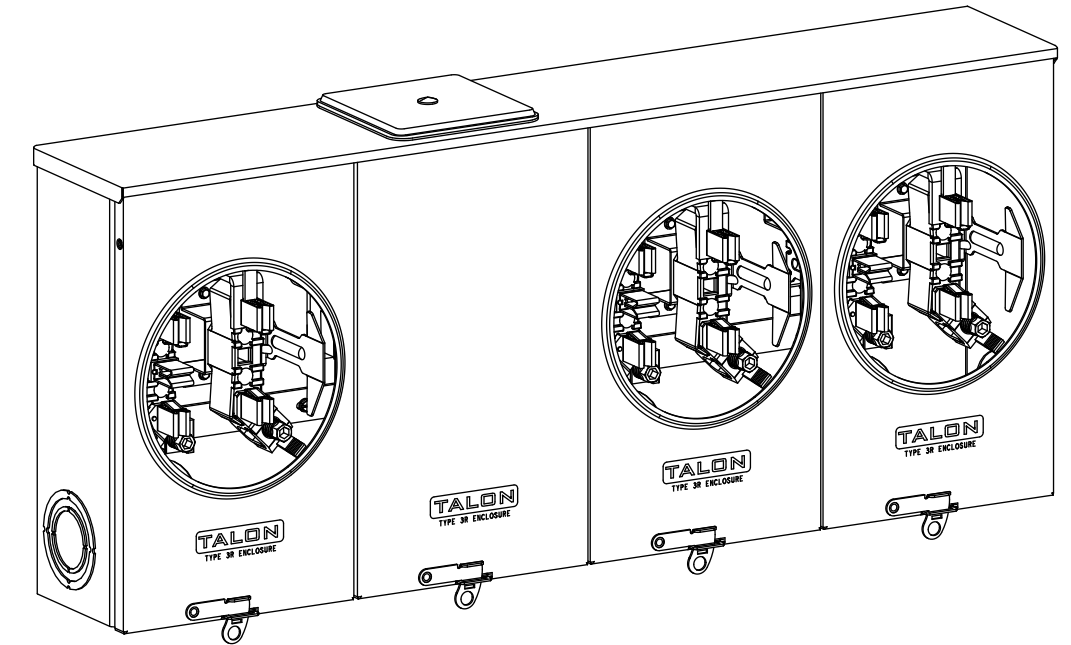
5th Jaw Kit
Cat. No: 659-0121

CONDUIT HUBS (HD Type)	
TRADE SIZE	CATALOG No.
3 INCH	EC56856 or H56856-2
3-1/2 INCH	EC56857 or H56857-2
4 INCH	EC56858 or H56858-2
Hub Cover Plate	EC56933 or H56933S

Connectors, Wire Sizes and Torques

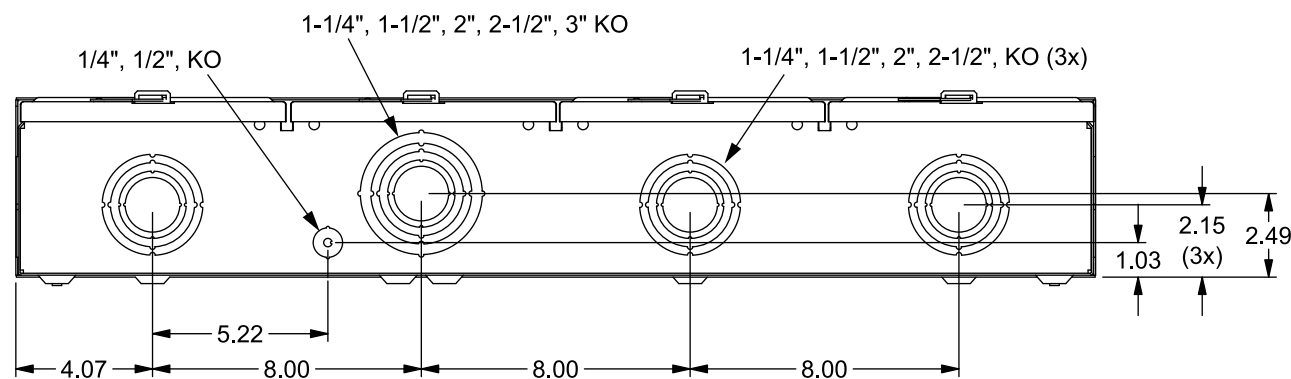
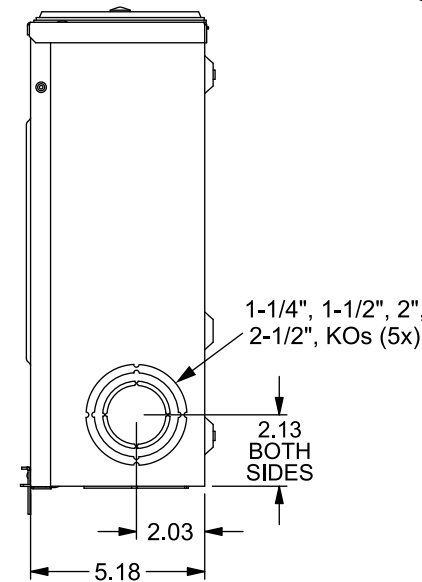
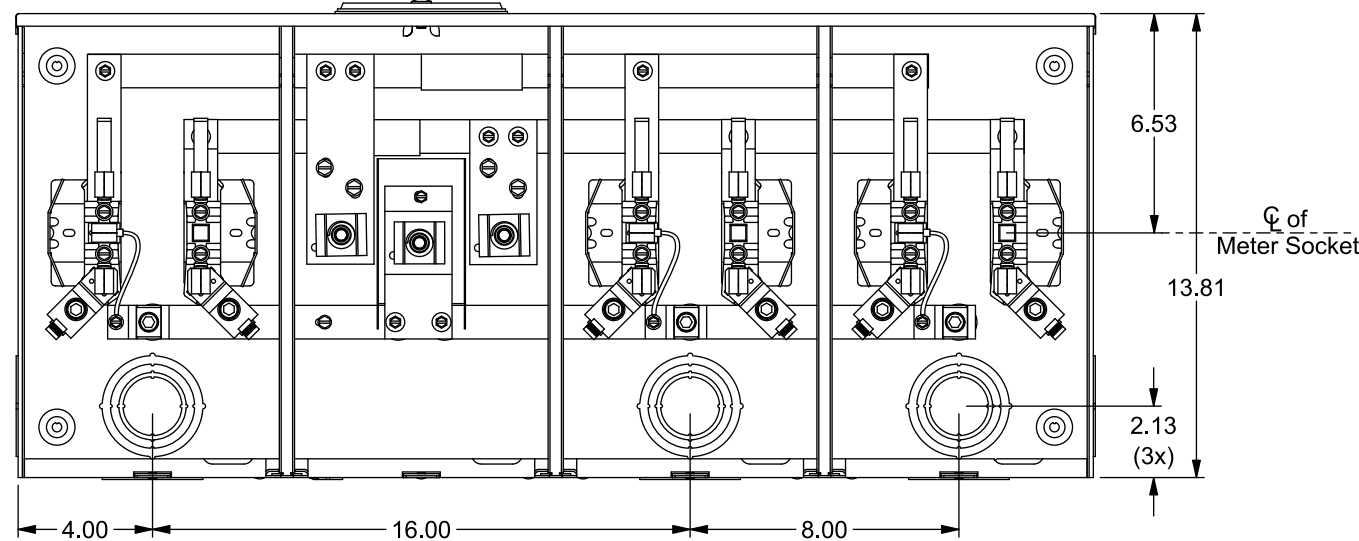
CONNECTOR	WIRE SIZE	TORQUE
LINE, NEUTRAL*	1/0 - 600 kcmil	375 IN.-LBS.
LOAD, NEUTRAL	#6 - 350 kcmil	250 IN.-LBS.
GROUND	#14 - 2 (CU)	50 IN.-LBS.

* External Hex Drive 1/2"
* Internal Hex Drive 5/16"



HD (Large) Hub Opening
w/Cover Plate Installed

View Shown with Covers Removed



© 2018 Copyright Siemens Industry, Inc.

TALON

Multi-Position Metering

Description: **200A Cont, 5 Jaw, A14-3POS, Horn Bypass, 600VAC, Painted G90 Steel**

KAM 6/26/18 | DO NOT SCALE DRAWING | Dwg No: **UA3717-ZB**