

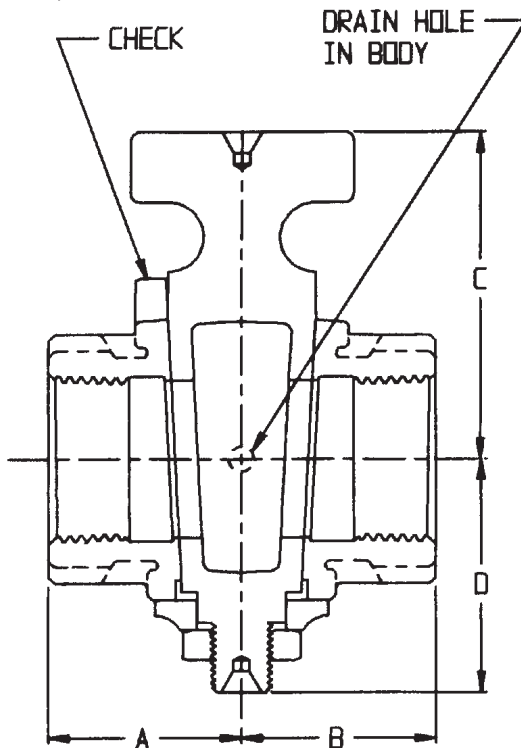
SUBMITTAL DATA SHEET

No-Lead Domestic Specialty Valves & Fittings Tee Head Stop & Drain Plug Valve with Check - 72892

FNPT x FNPT



A.Y. McDonald Mfg. Co. carries a full line of No-Lead Industrial & Specialty valves and fittings. Refer to the parts description for proper application. Made in USA.



Dimensions

Size	A	B	C	D
1/2"	1.07	1.07	1.75	1.06
3/4"	1.19	1.19	2.05	1.45
1"	1.48	1.48	3.03	1.72
1 1/4"	1.61	1.61	2.78	2.03
1 1/2"	2.00	2.00	2.96	2.37
2"	2.53	2.53	3.33	2.92

SUBMITTAL INFORMATION

- 40 PSI
- Sizes: 1/2" - 2"
- No-Lead Cast Bronze Construction
- Threads conform to ANSI B1.20.1
- Water Only
- For above ground use only

NO-LEAD: The weighted average of the wetted surface of this no-lead product contacted by consumable water contains less than one quarter of one percent (0.25%) lead.



A.Y. McDonald Mfg. Co.
P.O. Box 508
Dubuque, IA 52004-0508

Toll Free: 1-800-292-2737
Fax: 1-800-832-9296
Hours: 7:00 a.m. - 5:00 p.m., CST

sales@aymcdonald.com
www.aymcdonald.com

A.Y. McDonald considers the information on this assembly drawing correct when published. Item and option availability, including specifications, are subject to change without notice.

Submitted by: