

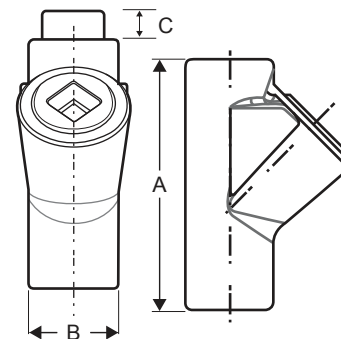
PVC Coated Sealing Fittings - EYS Female Hubs

Calbond PVC coated Sealing Fittings are used in hazardous locations to prevent flame and gas from continuing to travel through the conduit system. PVC coating provides corrosion protection. A sealing compound should be used on the interior after wiring. Compound supplied by the original fitting manufacturer.



Features:

- Exterior PVC coating thickness is a minimum 0.040"
- Interior Urethane coating thickness is a minimum 0.002"
- Sizes available are 1/2" to 4"
- The length of the sleeve extension(s) shall be at least equivalent to the nominal conduit size for sizes 1/2"- 2". For sizes 2-1/2"- 6", the length of the sleeve extension(s) shall be at least 2".
- Sealing sleeve is provided on plug hub (patching compound recommended on top of plug)
- Mating sealing forms are provided on all caps
- Sealing sleeves on all conduit openings



Standards:

- NEC/CEC:
 - EYS1-3, 11-31, 16-36, 116-316**
Class I, Division 1 & 2, Groups A, B, C, D
Class III
 - EYS41-101, 416-1016**
Class I, Division 1 & 2, Groups B, C, D
Class III
 - EYS29, 4-014, 46-0146**
EZS1-8, 16-86
Class I, Division 1 & 2, Groups C, D
Class III
- UL Standard: 886
- CSA Standard: C22.2

UL listings include:

- Ferrous electrical conduit: File # DYIX.E226472
- Ferrous electrical conduit with PVC coating: File # DYJC.E226472

EYS Female Hubs					
Item Number	Trade Size	Weight Per 100 (lbs)	A	B	C
For sealing in vertical positions only					
PV0700EYS2	3/4"	150	5.25	1.58	1-1/4"
PV1000EYS3	1"	210	6.31	1.83	1-1/2"
For sealing in vertical or horizontal positions					
PV1200EYS4	1-1/4"	270	7.56	2.27	1-5/8"
PV1500EYS5	1-1/2"	370	8.50	2.52	1-7/8"
PV2000EYS6	2"	470	10.25	3.08	2"
PV2500EYS7	2-1/2"	1000	11.50	3.58	2"
PV3000EYS8	3"	1120	12.50	4.33	2"
PV3500EYS9	3-1/2"	1450	13.19	4.83	2"
PV4000EYS10	4"	1600	13.75	5.33	2"

Calbond

Calbond™

PVC Coated Conduit and Fittings

EYS Female Hubs					
Item Number	Trade Size	Weight Per 100 (lbs)	A	B	C
For sealing in vertical or horizontal positions					
PV0500EYS11	5"	130	4.69	1.33	2"
PV0700EYS21	6"	110	5.19	1.58	2"