



**MORTEX**<sup>™</sup>  
Manufactured Housing Products

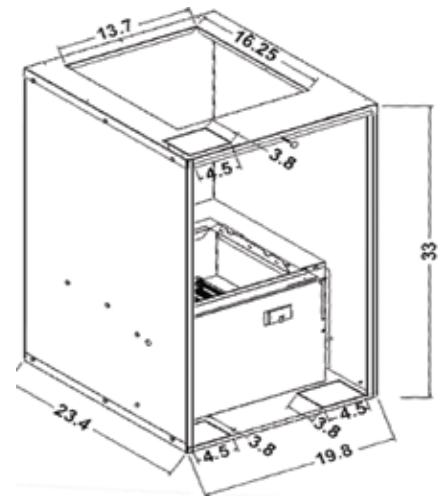
## E-30 Mobile Home Electric Furnace

### *Furnace Features*

- Heat capacities from 6-20KW-fit all needs
- Blower options to fit every airflow requirement-buy what you need!
  - FER Compliant Constant torque ECM
  - 3 options—1/3, 1/2, 3/4 HP-5 speed
- Convertible-easily converted from down flow to upflow
- A/C and H/P adaptable from 2-5 tons-see blower options
- Built in coil shelf-no need for additional parts
- Universal disposable—type filter
- Fully insulated cabinet and door for quiet, efficient operation
- Zero clearance to combustible materials
- TDR-Time Delay Relay—built in for comfort and higher efficiency
- Circuit breakers—no fuses to replace!
- Heavy duty Nichrome heating elements
- Optional coil cabinets for all upflow and downflow applications
- Optional ductwork connections for all applications
- Industry exclusive 5 year warranty on serviceable parts!



- ① Circuit Breakers— No Fuses to Replace
- ② Multiple Blower Options Constant Torque ECM
- ③ Fully Insulated Cabinet and Door
- ④ Universal Disposable Filter
- ⑤ Heat Capacities from 6-20 KW



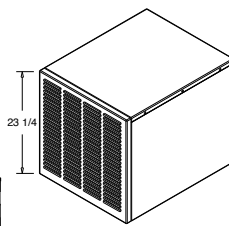
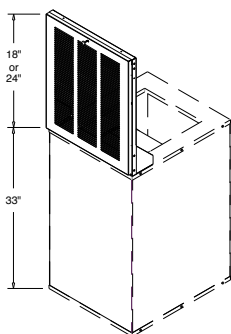
**Mortex E30 Optional Cabinets/Grilles**

97-F\*\*B-21 \*

97-F\*\*B-27 \*

97-F\*\*B-39 \*

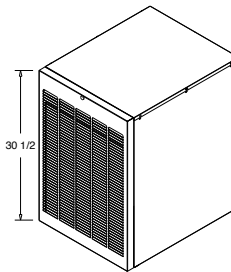
**Louvered Grille**  
-2 Sizes  
-No Cabinet



**Options:**  
-Broken Down  
-Factory Assembled

**Cabinet Tops**  
-Open W/Filter  
-Solid

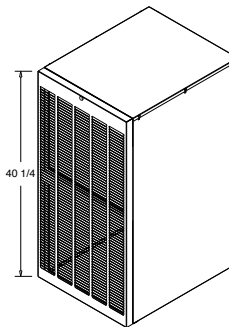
**Cabinet Doors**  
-Louvered W/ Filter  
-Solid



**Options:**  
-Broken Down  
-Factory Assembled

**Cabinet Tops**  
-Open W/Filter  
-Solid

**Cabinet Doors**  
-Louvered W/ Filter  
-Solid



**Options:**  
-Broken Down  
-Factory Assembled

**Cabinet Tops**  
-Open W/Filter  
-Solid

**Cabinet Doors**  
-Louvered W/ Filter  
-Solid

