

Majestic - Two Handle Bar Faucet



- * 4" Centerset, 2 Hole Installation
- * 7-3/4" High and 4-9/16" Long Stainless Steel Spout, Zinc Handle, Stainless Steel Deck Plate
- * Brass Waterway Construction with 1/2" -14 NPSM Connection
- * 1/4 Turn Premium Grade Ceramic Cartridges (Type I)
- * Sleek and Functional Two-Handle Design
- * Flow Rate: 1.8GPM @ 60PSI
- * 100% Pressure System Tested
- * Lifetime Limited Warranty; 5 year warranty from date of purchase for Commercial users.

| | |
|----------------------|--|
| Project / Job Name | |
| Architect / Engineer | |
| Contractor | |
| Model | |
| Quantity | |

Model No. :



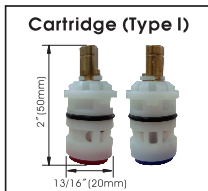
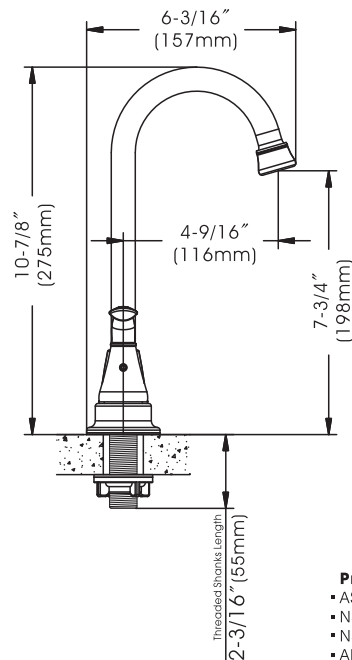
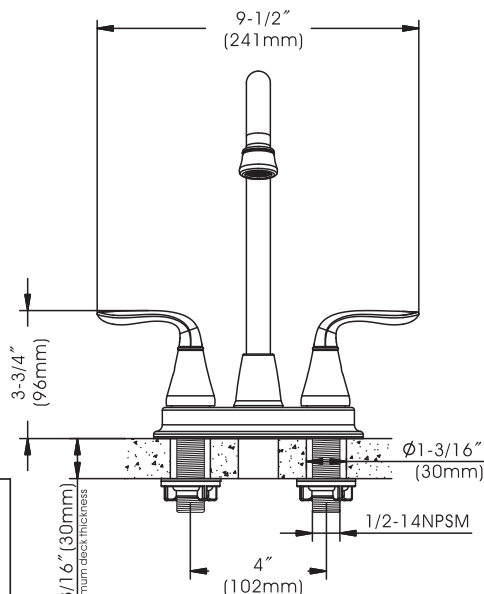
192-5892 (CH)
(Shown Model)



192-5893 (BN *Spotless PVD*)



192-5894 (ORB)



Product Compliance:

- ASME A112.18.1 / CSA B125.1
- NSF 61 - Section 9
- NSF 372 (Low Lead Content)
- ANSI A117.1 (ADA)

Majestic - Two Handle Bar Faucet



- * 4" Centerset, 2 Hole Installation
- * 7-3/4" High and 4-9/16" Long Stainless Steel Spout, Zinc Handle, Stainless Steel Deck Plate
- * Brass Waterway Construction with 1/2" -14 NPSM Connection
- * 1/4 Turn Premium Grade Ceramic Cartridges (Type I)
- * Sleek and Functional Two-Handle Design
- * Flow Rate: 1.8GPM @ 60PSI
- * 100% Pressure System Tested
- * Lifetime Limited Warranty; 5 year warranty from date of purchase for Commercial users.

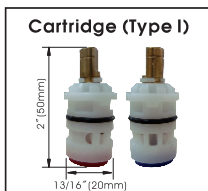
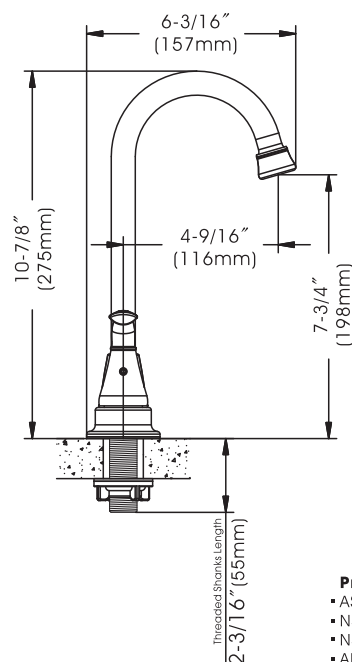
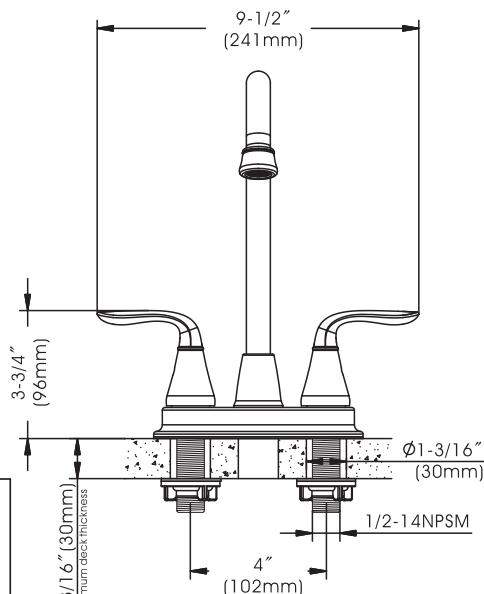
| | |
|----------------------|--|
| Project / Job Name | |
| Architect / Engineer | |
| Contractor | |
| Model | |
| Quantity | |

Model No. :

192-5892 (CH)

192-5893 (BN *Spotless PVD*)
(Shown Model)

192-5894 (ORB)



Product Compliance:

- ASME A112.18.1 / CSA B125.1
- NSF 61 - Section 9
- NSF 372 (Low Lead Content)
- ANSI A117.1 (ADA)

Majestic - Two Handle Bar Faucet



- * 4" Centerset, 2 Hole Installation
- * 7-3/4" High and 4-9/16" Long Stainless Steel Spout, Zinc Handle, Stainless Steel Deck Plate
- * Brass Waterway Construction with 1/2" -14 NPSM Connection
- * 1/4 Turn Premium Grade Ceramic Cartridges (Type I)
- * Sleek and Functional Two-Handle Design
- * Flow Rate: 1.8GPM @ 60PSI
- * 100% Pressure System Tested
- * Lifetime Limited Warranty; 5 year warranty from date of purchase for Commercial users.

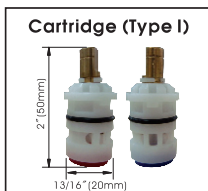
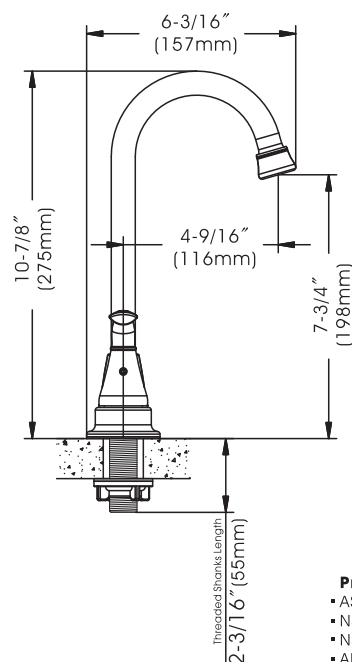
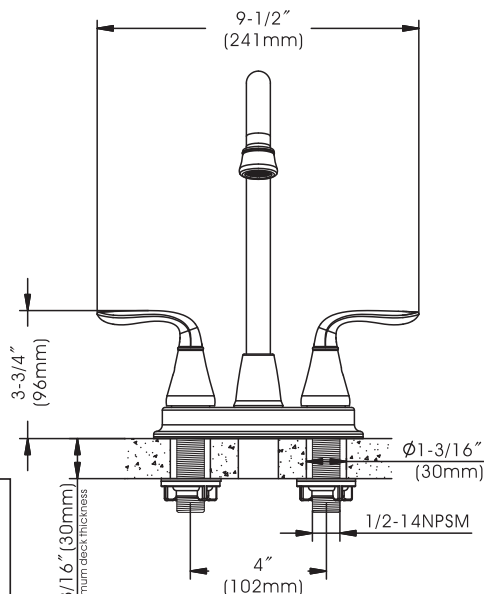
| | |
|----------------------|--|
| Project / Job Name | |
| Architect / Engineer | |
| Contractor | |
| Model | |
| Quantity | |

Model No. :

192-5892 (CH)

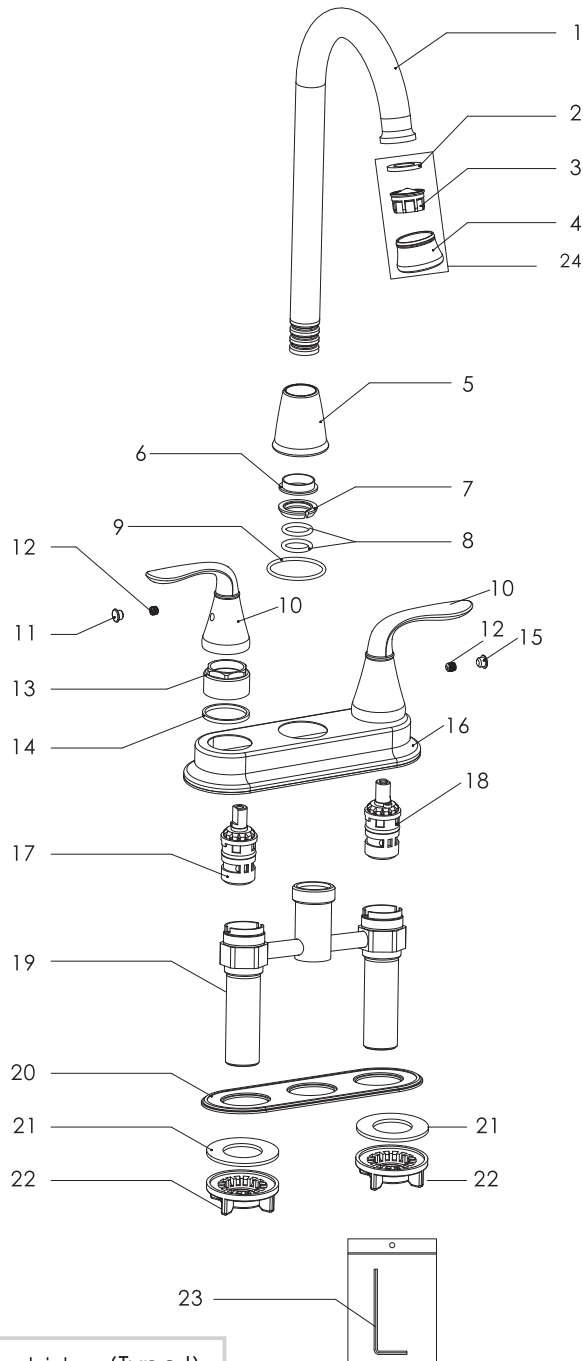
192-5893 (BN *Spotless PVD*)

192-5894 (ORB)
(Shown Model)



- Product Compliance:**
- ASME A112.18.1 / CSA B125.1
 - NSF 61 - Section 9
 - NSF 372 (Low Lead Content)
 - ANSI A117.1 (ADA)

Majestic - Two Handle Bar Faucet



Model No. :

192-5892 (Polished Chrome)

192-5893 (Brushed Nickel **Spotless PVD**)

192-5894 (Oil-Rubbed Bronze)

| No. | Part Name | Material |
|-----|--------------------|----------------------|
| 1 | Spout | Stainless Steel |
| 2 | Aerator Washer | Rubber |
| 3 | Aerator Core | Plastic |
| 4 | Aerator Collar | Brass |
| 5 | Spout Base | Zinc |
| 6 | Protective Sleeve | Plastic |
| 7 | Wearing Ring | Plastic |
| 8 | O-Ring | Rubber |
| 9 | O-Ring | Rubber |
| 10 | Handle | Zinc |
| 11 | Index (Red) | Rubber |
| 12 | Set Screw | Stainless Steel |
| 13 | Cartridge Lock Nut | Zinc |
| 14 | Washer | Plastic |
| 15 | Index (Blue) | Rubber |
| 16 | Deck Plate | Stainless Steel |
| 17 | Cartridge (Hot) | Ceramic |
| 18 | Cartridge (Cold) | Ceramic |
| 19 | Brazed Underbody | Brass |
| 20 | Gasket | Plastic |
| 21 | Washer | Rubber |
| 22 | Plastic Lock Nut | Plastic |
| 23 | Allen Wrench | Steel |
| 24 | Aerator Assembly | Rubber+Plastic+Brass |

Cartridge (Type I)



Technical Support: warranty@cmiproduct.com
Hour of Operation: Mon - Fri 8:30 a.m - 5:00 p.m. EST