

Cardania - Two Handle Bar Faucet

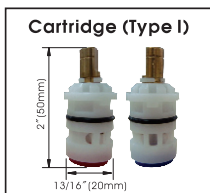
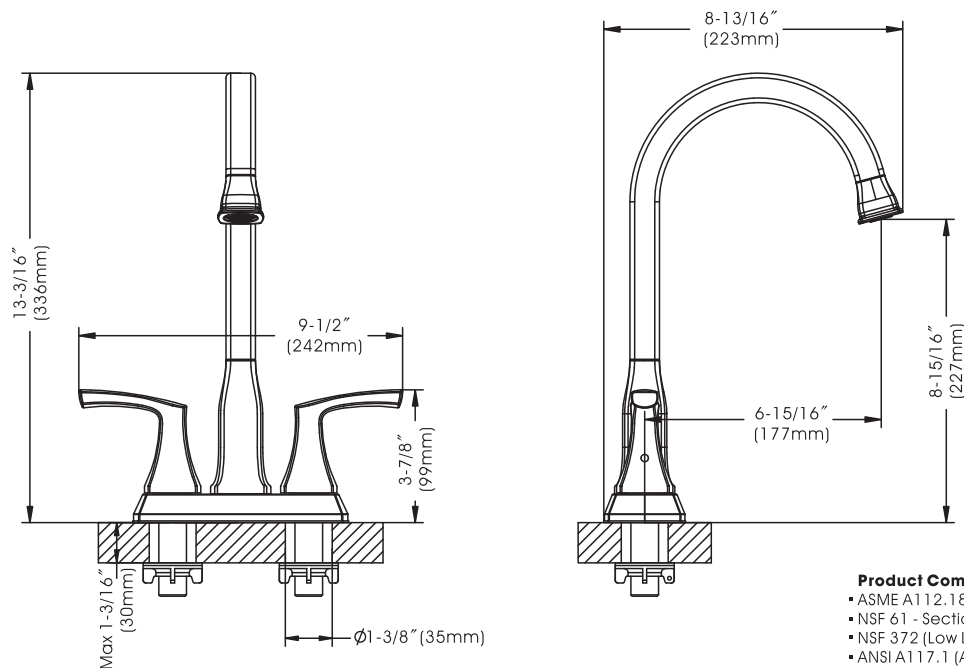


- * 4" Centerset, 2 Hole Installation
- * 8-15/16" High and 6-15/16" Long Brass Spout
- * 4" High Zinc Handle
- * Brass Waterway Construction with 1/2" -14 NPSM Connection
- * Sleek and Functional Two-Handle Design
- * 1/4 Turn Ceramic Cartridges (Type I)
- * Flow Rate: 1.8GPM @ 60PSI
- * 100% Pressure System Tested

| | |
|----------------------|--|
| Project / Job Name | |
| Architect / Engineer | |
| Contractor | |
| Model | |
| Quantity | |

Model No. :

192-6416 (CH) (Shown Model)
 192-6417 (BN *Spotless* PVD)
 192-6418 (ORB)
 192-7158(MG)
 192-7159(MB)



- Product Compliance:**
- ASME A112.18.1 / CSA B125.1
 - NSF 61 - Section 9
 - NSF 372 (Low Lead Content)
 - ANSI A117.1 (ADA)

Cardania - Two Handle Bar Faucet

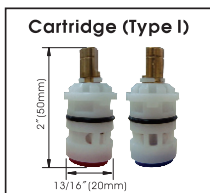
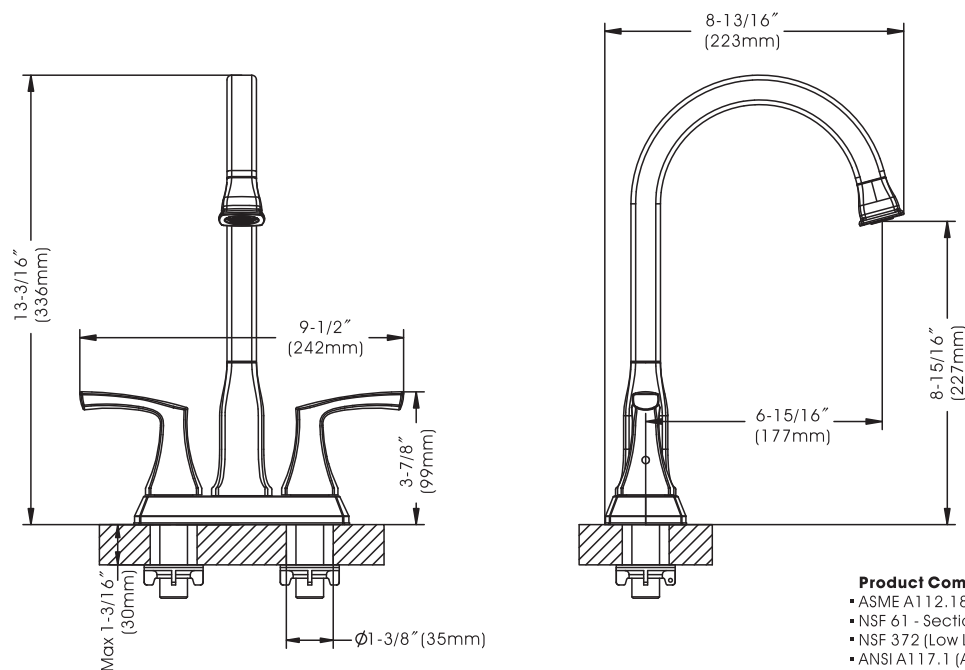


- * 4" Centerset, 2 Hole Installation
- * 8-15/16" High and 6-15/16" Long Brass Spout
- * 4" High Zinc Handle
- * Brass Waterway Construction with 1/2" -14 NPSM Connection
- * Sleek and Functional Two-Handle Design
- * 1/4 Turn Ceramic Cartridges (Type I)
- * Flow Rate: 1.8GPM @ 60PSI
- * 100% Pressure System Tested

| | |
|----------------------|--|
| Project / Job Name | |
| Architect / Engineer | |
| Contractor | |
| Model | |
| Quantity | |

Model No. :

192-6416 (CH) 192-6417 (BN *Spotless PVD*) 192-6418 (ORB) 192-7158(MG) 192-7159(MB)
(Shown Model)



- Product Compliance:**
- ASME A112.18.1 / CSA B125.1
 - NSF 61 - Section 9
 - NSF 372 (Low Lead Content)
 - ANSI A117.1 (ADA)

Compass Manufacturing International LLC

www.cmiproduct.com

6702 Enterprise Drive, Louisville, Kentucky 40214

Toll Free Number: 800-626-3525

Cardania - Two Handle Bar Faucet



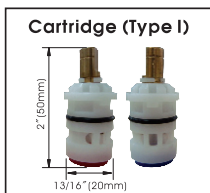
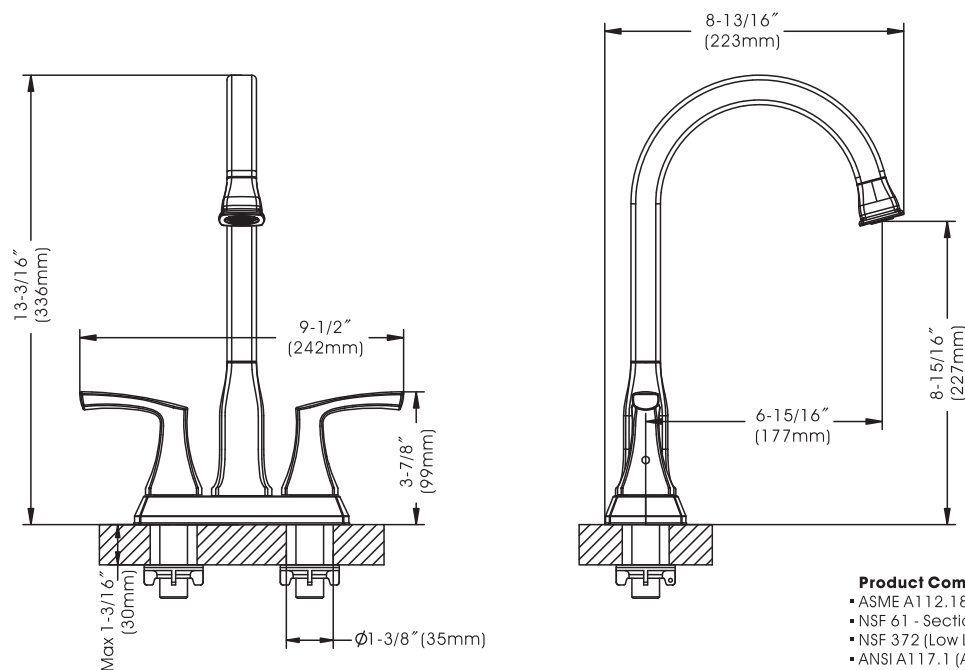
- * 4" Centerset, 2 Hole Installation
- * 8-15/16" High and 6-15/16" Long Brass Spout
- * 4" High Zinc Handle
- * Brass Waterway Construction with 1/2" -14 NPSM Connection
- * Sleek and Functional Two-Handle Design
- * 1/4 Turn Ceramic Cartridges (Type I)
- * Flow Rate: 1.8GPM @ 60PSI
- * 100% Pressure System Tested

| | |
|----------------------|--|
| Project / Job Name | |
| Architect / Engineer | |
| Contractor | |
| Model | |
| Quantity | |

Model No. :

192-6416 (CH)
 192-6417 (BN *Spotless PVD*)
 192-6418 (ORB)
 192-7158 (MG)
 192-7159 (MB)

 (Shown Model)



- Product Compliance:**
- ASME A112.18.1 / CSA B125.1
 - NSF 61 - Section 9
 - NSF 372 (Low Lead Content)
 - ANSI A117.1 (ADA)

Compass Manufacturing International LLC

www.cmiproduct.com

6702 Enterprise Drive, Louisville, Kentucky 40214

Toll Free Number: 800-626-3525

Cardania - Two Handle Bar Faucet

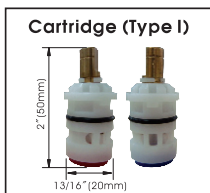
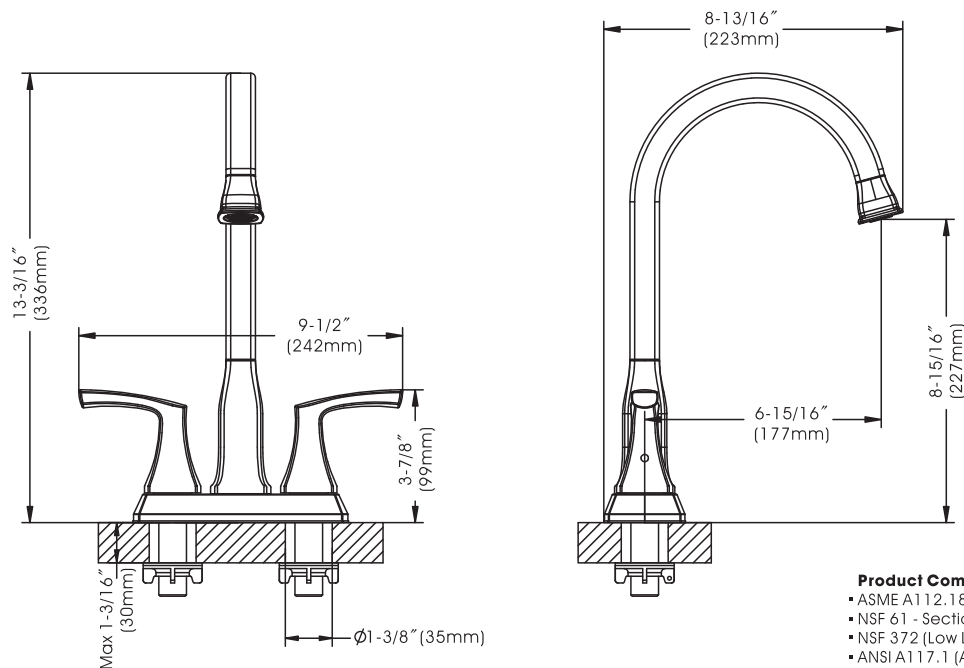


- * 4" Centerset, 2 Hole Installation
- * 8-15/16" High and 6-15/16" Long Brass Spout
- * 4" High Zinc Handle
- * Brass Waterway Construction with 1/2" -14 NPSM Connection
- * Sleek and Functional Two-Handle Design
- * 1/4 Turn Ceramic Cartridges (Type I)
- * Flow Rate: 1.8GPM @ 60PSI
- * 100% Pressure System Tested

| | |
|----------------------|--|
| Project / Job Name | |
| Architect / Engineer | |
| Contractor | |
| Model | |
| Quantity | |

Model No. :

192-6416 (CH) 192-6417 (BN *Spotless PVD*) 192-6418 (ORB) 192-7158(MG) 192-7159(MB)
(Shown Model)



- Product Compliance:**
- ASME A112.18.1 / CSA B125.1
 - NSF 61 - Section 9
 - NSF 372 (Low Lead Content)
 - ANSI A117.1 (ADA)

Cardania - Two Handle Bar Faucet

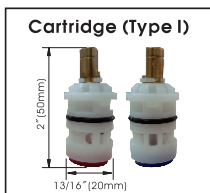
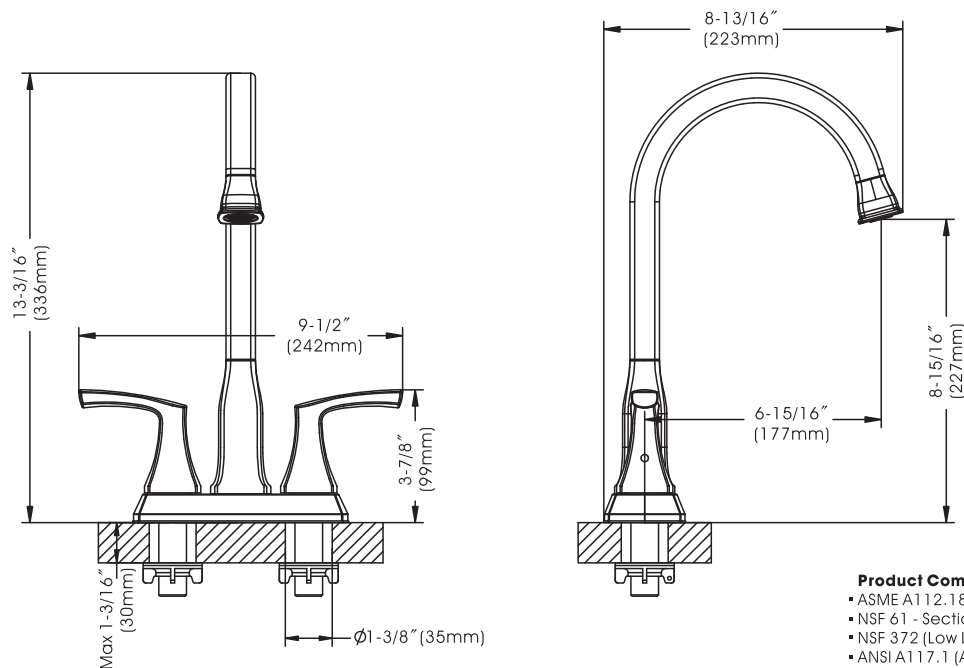


- * 4" Centerset, 2 Hole Installation
- * 8-15/16" High and 6-15/16" Long Brass Spout
- * 4" High Zinc Handle
- * Brass Waterway Construction with 1/2" -14 NPSM Connection
- * Sleek and Functional Two-Handle Design
- * 1/4 Turn Ceramic Cartridges (Type I)
- * Flow Rate: 1.8GPM @ 60PSI
- * 100% Pressure System Tested

| | |
|----------------------|--|
| Project / Job Name | |
| Architect / Engineer | |
| Contractor | |
| Model | |
| Quantity | |

Model No. :

192-6416 (CH)
 192-6417 (BN *Spotless PVD*)
 192-6418 (ORB)
 192-7158(MG)
 192-7159(MB) (Shown Model)



- Product Compliance:**
- ASME A112.18.1 / CSA B125.1
 - NSF 61 - Section 9
 - NSF 372 (Low Lead Content)
 - ANSI A117.1 (ADA)

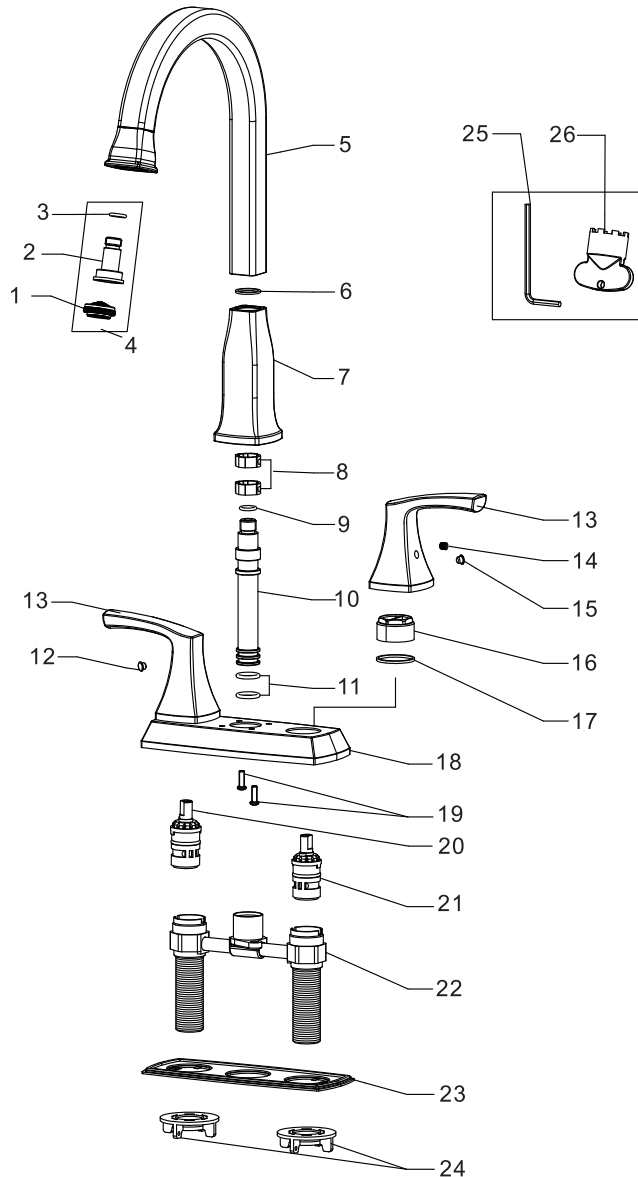
Compass Manufacturing International LLC

www.cmiproduct.com

6702 Enterprise Drive, Louisville, Kentucky 40214

Toll Free Number: 800-626-3525

Cardania - Two Handle Bar Faucet



Model No. :

- 192-6416 (Polished Chrome)
- 192-6417 (Brushed Nickel **Spotless PVD**)
- 192-6418 (Oil-Rubbed Bronze)
- 192-7158 (Matte Gold)
- 192-7159 (Matte Black)

| No. | Part Name | Material |
|-----|--------------------|---------------------------|
| 1 | Aerator | Plastic |
| 2 | Connector | Brass |
| 3 | O-ring | Rubber |
| 4 | Aerator Assembly | Plastic+Brass+Rubber+Zinc |
| 5 | Spout | Brass |
| 6 | Wearing Ring | Plastic |
| 7 | Body | Zinc |
| 8 | Retainer | Plastic |
| 9 | O-ring | Rubber |
| 10 | Inlet | Brass |
| 11 | O-ring | Rubber |
| 12 | Index (Hot) | Rubber |
| 13 | Handle | Zinc |
| 14 | Set Screw | Stainless Steel |
| 15 | Index (Cold) | Rubber |
| 16 | Cartridge Lock Nut | Zinc |
| 17 | Plastic Washer | Plastic |
| 18 | Deck Plate | Zinc |
| 19 | Screw | Stainless Steel |
| 20 | Cartridge (Hot) | Ceramic |
| 21 | Cartridge (Cold) | Ceramic |
| 22 | Brazed Underbody | Brass |
| 23 | Gasket | Plastic |
| 24 | Plastic Lock Nut | Plastic |
| 25 | Allen Wrench | Steel |
| 26 | Aerator Wrench | Plastic |

Cartridge (Type I)



Technical Support: warranty@cmiproduct.com
Hour of Operation: Mon - Fri 8:30 a.m - 5:00 p.m. EST