

# Aegean - Single Handle Vessel Faucet



- \* Single Hole Installation
- \* Includes a Unique Push Down Pop-up Drain that Works for Both Overflow and No Overflow Bathroom Sinks
- \* 8-13/16" High and 5-1/4" Long One Piece Solid Cast Brass Spout with Brass Body, Zinc Handle
- \* Copper Waterway Construction with 1/2" -14 NPSM Connection
- \* Premium Grade Ceramic Cartridge (Type Q)
- \* Flow Rate: 1.2GPM @ 60PSI
- \* 100% Pressure System Tested
- \* Lifetime Limited Warranty; 5 year warranty from date of purchase for Commercial users.

Project / Job Name	
Architect / Engineer	
Contractor	
Model	
Quantity	

## Model No. :



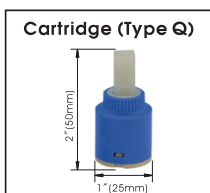
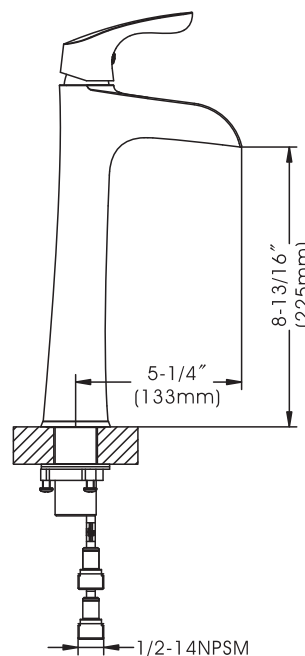
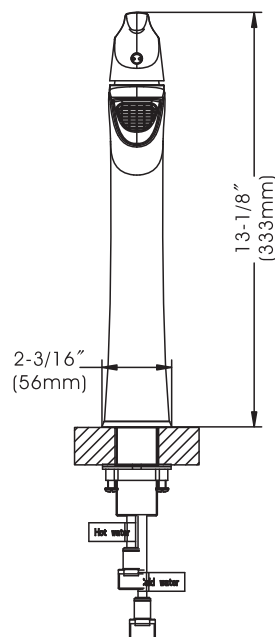
192-6443 (CH)  
(Shown Model)



192-6444 (BN *Spotless PVD*)

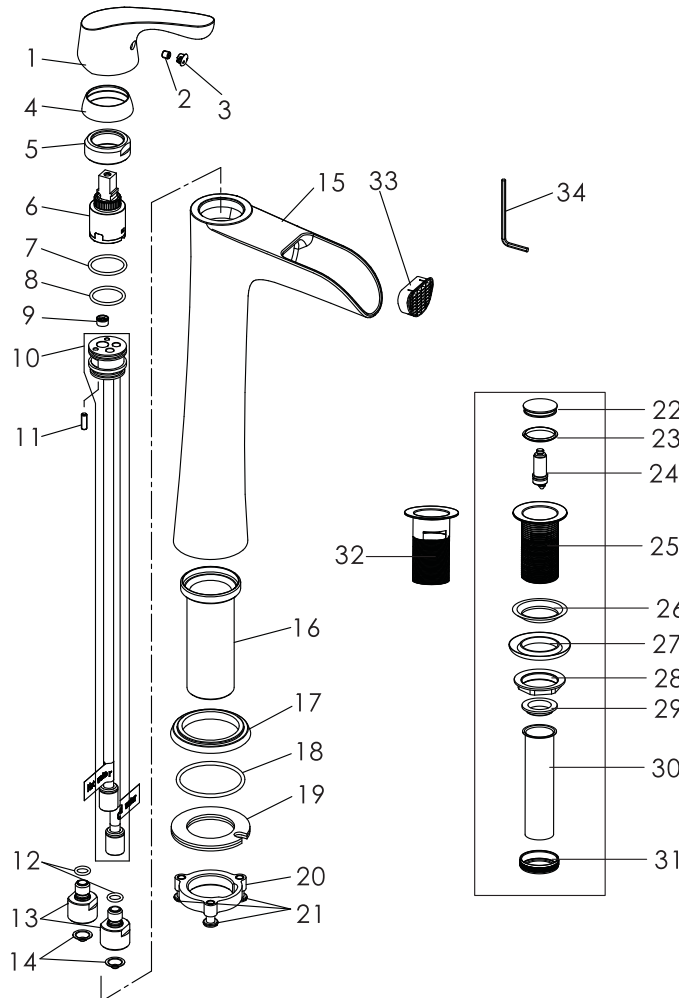


192-6445 (ORB)



- Product Compliance:**
- ASME A112.18.1 / CSA B125.1
  - NSF 61 - Section 9
  - NSF 372 (Low Lead Content)
  - ANSI A117.1 (ADA)
  - EPA - Water Sense

# Aegean - Single Handle Vessel Faucet



## Model No. :

192-6443 (Polished Chrome)

192-6444 (Brushed Nickel **Spotless PVD**)

192-6445 (Oil-Rubbed Bronze)

No.	Part Name	Material
1	Handle	Zinc
2	Set Screw	Stainless Steel
3	Index	Plastic
4	Trim Cap	Brass
5	Lock Nut	Brass
6	Cartridge	Ceramic
7	O-ring	Rubber
8	O-ring	Rubber
9	Screw	Plastic
10	Waterway	Copper
11	Screw	Stainless Steel
12	O-ring	Rubber
13	Adapter	Brass
14	Screen Filter	Stainless Steel
15	Body	Brass
16	Shank	Stainless Steel
17	Base	Zinc
18	O-ring	Rubber
19	Gasket Assembly	Stainless Steel+Rubber
20	Lock Nut	Zinc
21	Screw	Stainless Steel
22	Cover	Brass
23	Washer	Rubber
24	Stopper Core	Brass
25	Stopper Housing(Without Overflow Hole)	Brass
26	Washer	Rubber
27	Washer	Rubber
28	Lock Nut	Zinc
29	Washer	Rubber
30	Outlet Pipe	Brass
31	Nut	Brass
32	Stopper Housing(With Overflow Hole)	Brass
33	Aerator	Plastic
34	Allen Wrench	Steel

Cartridge (Type Q)



Technical Support: [warranty@cmiproduct.com](mailto:warranty@cmiproduct.com)  
Hour of Operation: Mon - Fri 8:00 a.m - 5:00 p.m. EST