

# Aegean Series Contractor Tub Only Trim Pack



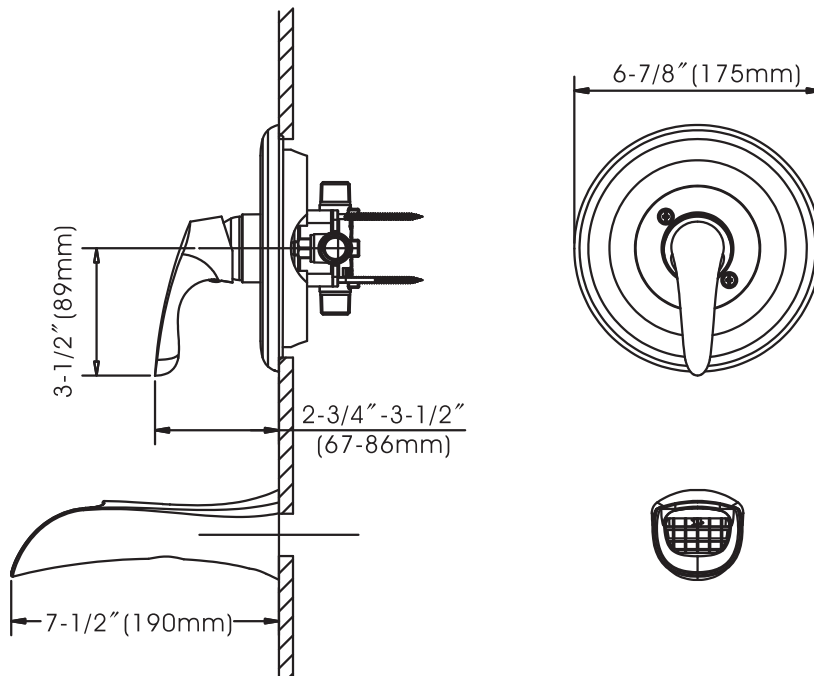
## • Model No. : 192-6455

- \* One Piece Pressure Balanced Ceramic Cartridge with Balancing Spool
- \* Back-to-Back Installation Capability
- \* Metal Escutcheon with Screws
- \* Zinc Handle
- \* Matching Finish Trim Sleeve
- \* 6.5GPM @ 80PSI Non-Diverter Tub Spout with easy "Snap In" design

Project / Job Name	
Architect / Engineer	
Contractor	
Model	
Quantity	

**Model No. :**

192-6455 (CH) (Shown Model)       192-6456 (BN *Spotless* PVD)       192-6457 (ORB)



**Product Compliance:**

- ASME A112.18.1 / CSA B125.1
- ANSI A117.1 (ADA)
- ASSE 1016

# Aegean Series Contractor Tub Only Trim Pack



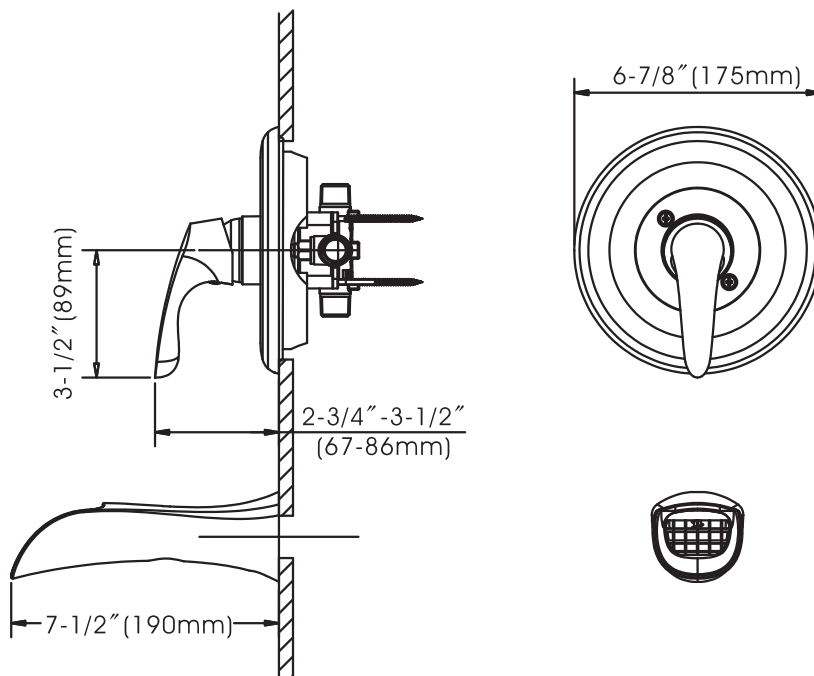
## • Model No. : 192-6456

- \* One Piece Pressure Balanced Ceramic Cartridge with Balancing Spool
- \* Back-to-Back Installation Capability
- \* Metal Escutcheon with Screws
- \* Zinc Handle
- \* Matching Finish Trim Sleeve
- \* 6.5GPM @ 80PSI Non-Diverter Tub Spout with easy "Snap In" design

Project / Job Name	
Architect / Engineer	
Contractor	
Model	
Quantity	

**Model No. :**

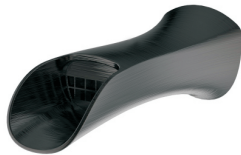
192-6455 (CH)       192-6456 (BN *Spotless PVD*) (Shown Model)       192-6457 (ORB)



**Product Compliance:**

- ASME A112.18.1 / CSA B125.1
- ANSI A117.1 (ADA)
- ASSE 1016

# Aegean Series Contractor Tub Only Trim Pack



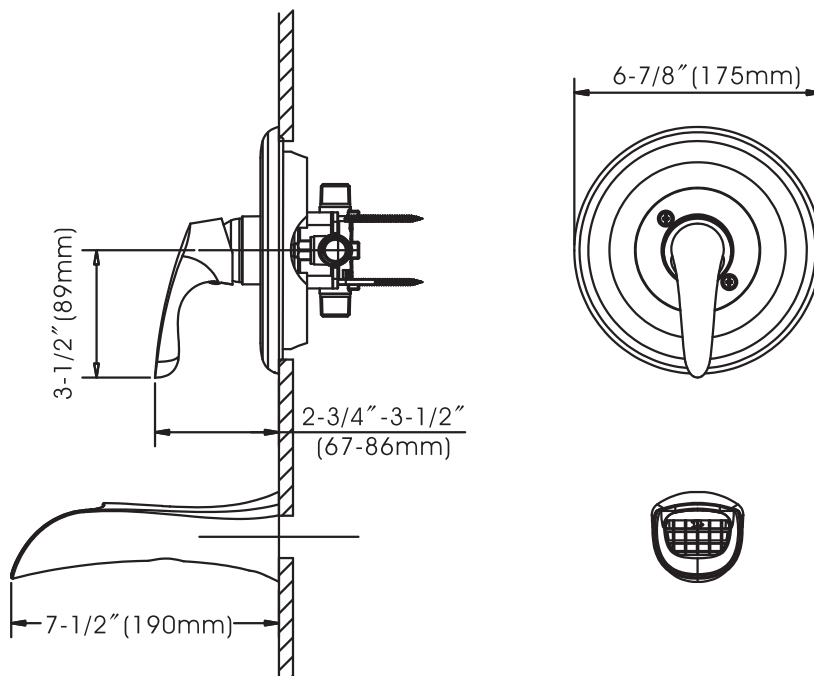
## • Model No. : 192-6457

- \* One Piece Pressure Balanced Ceramic Cartridge with Balancing Spool
- \* Back-to-Back Installation Capability
- \* Metal Escutcheon with Screws
- \* Zinc Handle
- \* Matching Finish Trim Sleeve
- \* 6.5GPM @ 80PSI Non-Diverter Tub Spout with easy "Snap In" design

Project / Job Name	
Architect / Engineer	
Contractor	
Model	
Quantity	

**Model No. :**

192-6455 (CH)       192-6456 (BN *Spotless PVD*)       192-6457 (ORB) **(Shown Model)**



**Product Compliance:**

- ASME A112.18.1 / CSA B125.1
- ANSI A117.1 (ADA)
- ASSE 1016

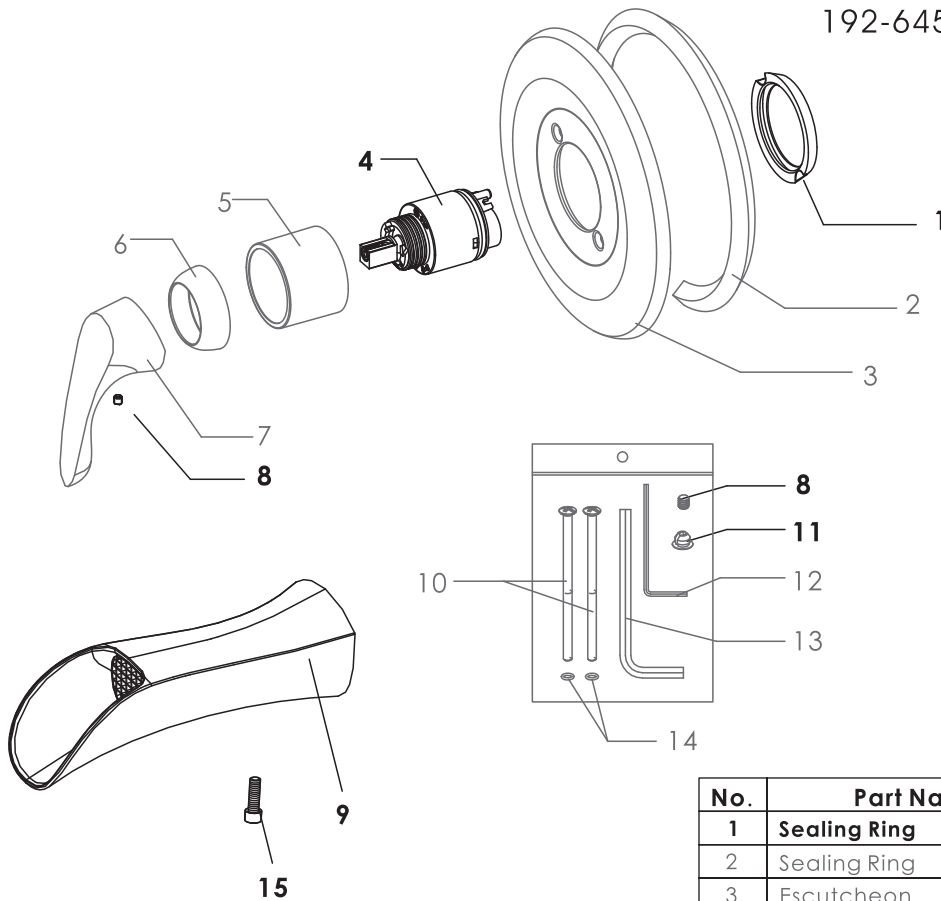
# Aegean Series Contractor Tub Only Trim Pack

**Model No. :**

192-6455 (Polished Chrome)

192-6456 (Brushed Nickel Spotless PVD)

192-6457 (Oil-Rubbed Bronze)



No.	Part Name	Material
1	<b>Sealing Ring</b>	<b>Rubber</b>
2	Sealing Ring	Sponge
3	Escutcheon	Stainless Steel
4	<b>Cartridge</b>	<b>Ceramic</b>
5	Cartridge Sleeve	Brass
6	Trim Cap	Brass
7	Handle	Zinc
8	<b>Set Screw</b>	<b>Stainless Steel</b>
9	<b>Tub Spout</b>	<b>Zinc</b>
10	Escutcheon Screw	Stainless Steel
11	<b>Hot/Cold Button</b>	<b>Plastic</b>
12	Allen Wrench	Stainless Steel
13	Allen Wrench	Stainless Steel
14	Escutcheon Screw O-rings	Rubber
15	<b>Screw</b>	<b>Stainless Steel</b>

Technical Support: [warranty@cmiproduct.com](mailto:warranty@cmiproduct.com)  
 Hour of Operation: Mon - Fri 8:00 a.m - 5:00 p.m. EST