

## Cheyenne Contractor Six Function Tub and Shower Trim Pack



### • Model No. : 192-6449

- \* One Piece Pressure Balanced Ceramic Cartridge with Balancing Spool
- \* Back-to-Back Installation Capability
- \* 4-3/4" Six Function Shower Head
- \* Metal Shower Arm with Flange
- \* Metal Escutcheon with Screws
- \* Zinc Handle
- \* Matching Finish Trim Sleeve
- \* 1.5 GPM@80 PSI Shower Head
- \* 7.0 GPM@80 PSI Diverter Tub Spout with easy "Snap In" design

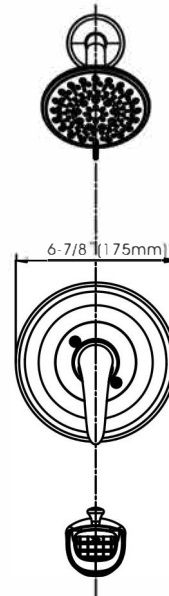
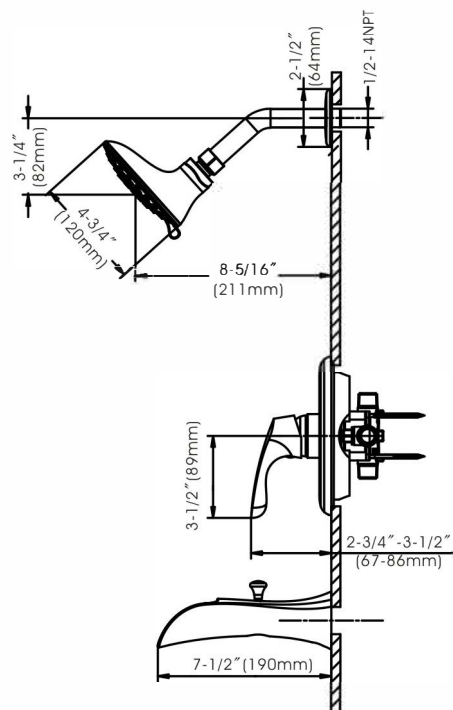
Project / Job Name	
Architect / Engineer	
Contractor	
Model	
Quantity	

### Model No. :

192-6449 (CH)  
(Shown Model)

192-6450 (BN *Spotless PVD*)

192-6451 (ORB)



**Product Compliance:**

- ASME A112.18.1 / CSA B125.1
- ANSI A117.1 (ADA)
- ASSE 1016