

Presley - Wide Spread Bathroom Faucet



- * Wide Spread 6"-10" Center-set, 3 Hole Installation
- * Brass Pop-up Drain Assembly Included
- * 4-9/16" High and 5-1/8" Long Brass Spout, Zinc Handle
- * 1/4 Turn Premium Grade Ceramic Cartridges (Type J)
- * Brass Waterway Construction with 1/2" -14 NPSM Connection
- * Flow Rate: 1.2GPM @ 60PSI
- * 100% Pressure System Tested
- * Lifetime Limited Warranty: 5 year warranty from date of purchase for Commercial users.

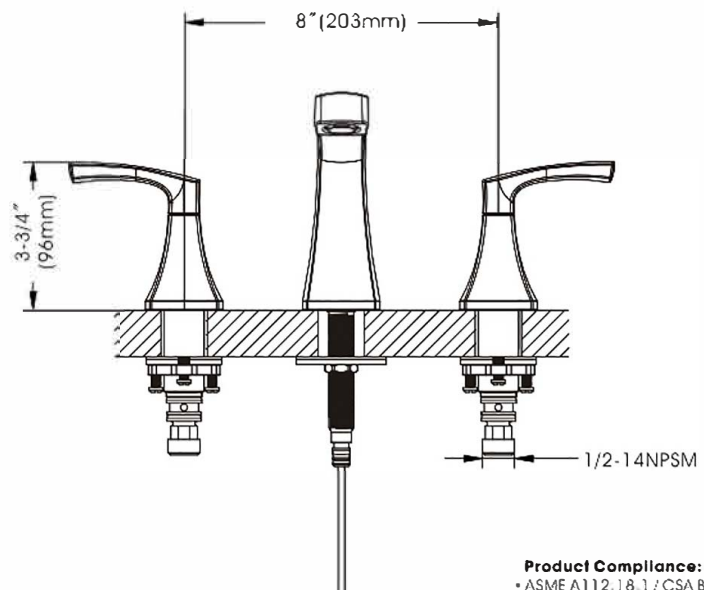
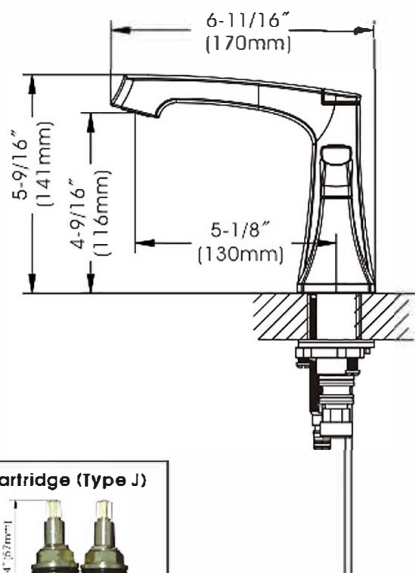
Project / Job Name	
Architect / Engineer	
Contractor	
Model	
Quantity	

Model No. :

192-6404 (CH)
(Shown Model)

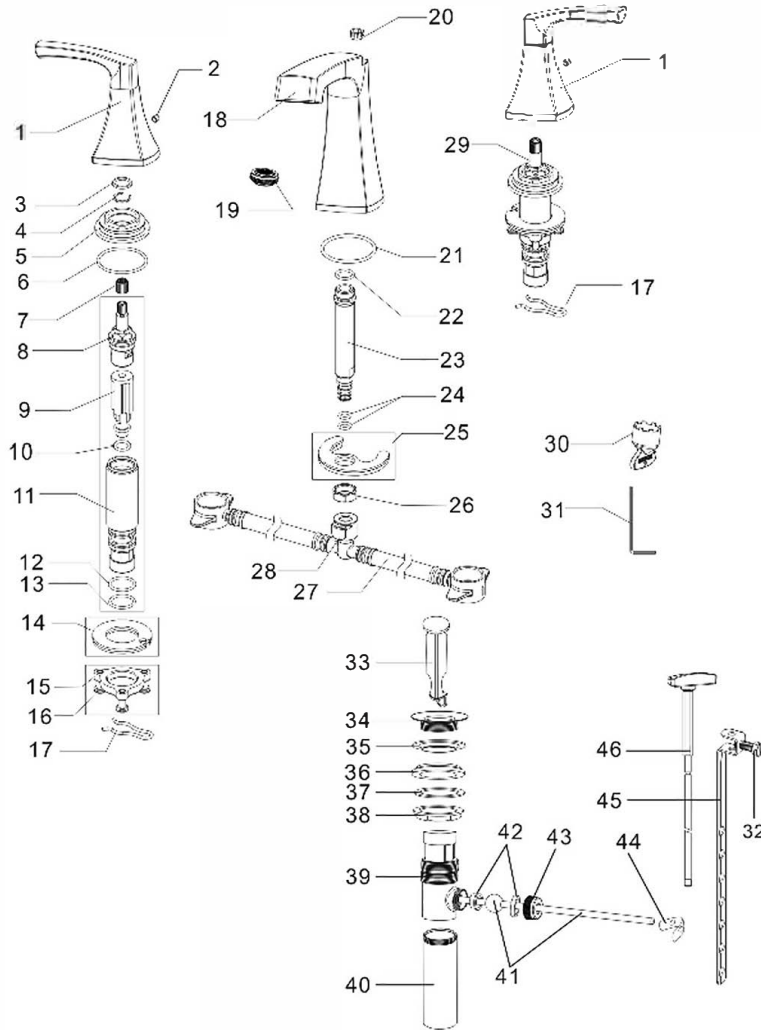
192-6405 (BN *Spotless PVD*)

192-6406 (ORB)



- Product Compliance:**
- ASME A112.18.1 / CSA B125.1
 - NSF 61 - Section 9
 - NSF 372 (Low Lead Content)
 - ANSI A117.1 (ADA)
 - EPA - Water Sense

Presley - Wide Spread Bathroom Faucet



Model No. :

192-6404 (Polished Chrome)

192-6405 (Brushed Nickel *Spaless PVD*)

192-6406 (Oil-Rubbed Bronze)

No.	Part Name	Material
1	Handle	Zinc
2	Screws	Stainless Steel
3	Wearing Ring	Plastic
4	Clip	Stainless Steel
5	Cartridge Locknut	Zinc
6	O-ring	Rubber
7	Handle Adapter	Plastic
8	Cartridge (Hot Water)	Brass
9	Cartridge Seat	Plastic
10	O-ring	Rubber
11	Brass Valve Body	Brass
12	O-ring	Rubber
13	O-ring	Rubber
14	Clomp	Rubber-Stainless Steel
15	Locknut	Zinc
16	Screw	Stainless Steel
17	Clip	Stainless Steel
18	Spout	Brass
19	Aerator	Plastic
20	Sleeve	Plastic
21	O-ring	Rubber
22	O-ring	Rubber
23	Inlet	Brass
24	O-ring	Rubber
25	Clomp	Rubber-Stainless Steel
26	Locknut	Brass
27	Quick Connect Hose	Plastic
28	Plastic Lock Ring	Plastic
29	Cartridge (Cold Water)	Brass
30	Aerator Wrench	Plastic
31	Allen Key	Steel
32	Extend Rod Screw	Steel
33	Drain Stopper	Brass
34	Flange	Brass
35	Top Rubber Washer	Rubber
36	Bottom Rubber Washer	Rubber
37	Washer	Plastic
38	Locknut	Zinc
39	Drain Body	Brass
40	Tailpiece	Brass
41	Horizontal Rod	Plastic-Stainless Steel
42	Rod Ball Plastic Gasket	Plastic
43	Rod Guide Nut	Brass
44	Spring Clip	Stainless Steel
45	Extend Rod	Steel
46	Lift Rod	Zinc

Cartridge (Type J)

