

Cheyenne - Two Handle Bathroom Faucet



- * 4" Center-set, 3 Hole Installation
- * Brass Pop-up Drain Assembly Included
- * 3-7/8" High and 4-13/16" Long Brass Spout, Zinc Handle, Stainless Steel Deck Plate
- * Brass Waterway Construction with 1/2" -14 NPSM Connection
- * 1/4 Turn Premium Grade Ceramic Cartridges (Type I)
- * Flow Rate: 1.2GPM @ 60PSI
- * 100% Pressure System Tested
- * Lifetime Limited Warranty; 5 year warranty from date of purchase for Commercial users.

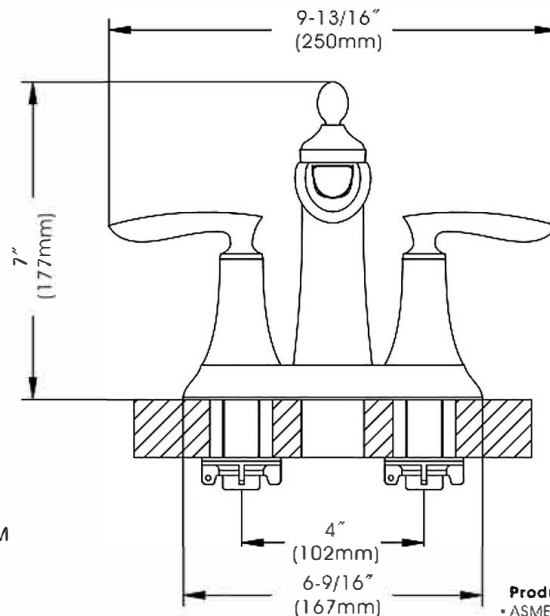
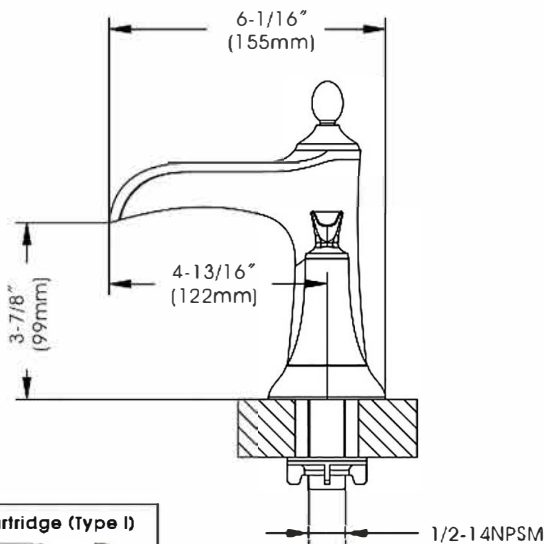
Project / Job Name	
Architect / Engineer	
Contractor	
Model	
Quantity	

Model No. :

192-6434 (CH)
(Shown Model)

192-6435 (BN *Spotless PVD*)

192-6436 (ORB)



Product Compliance:

- ASME A112.18.1 / CSA B125.1
- NSF 61 - Section 9
- NSF 372 (Low Lead Content)
- ANSI A117.1 (ADA)
- EPA - Water Sense

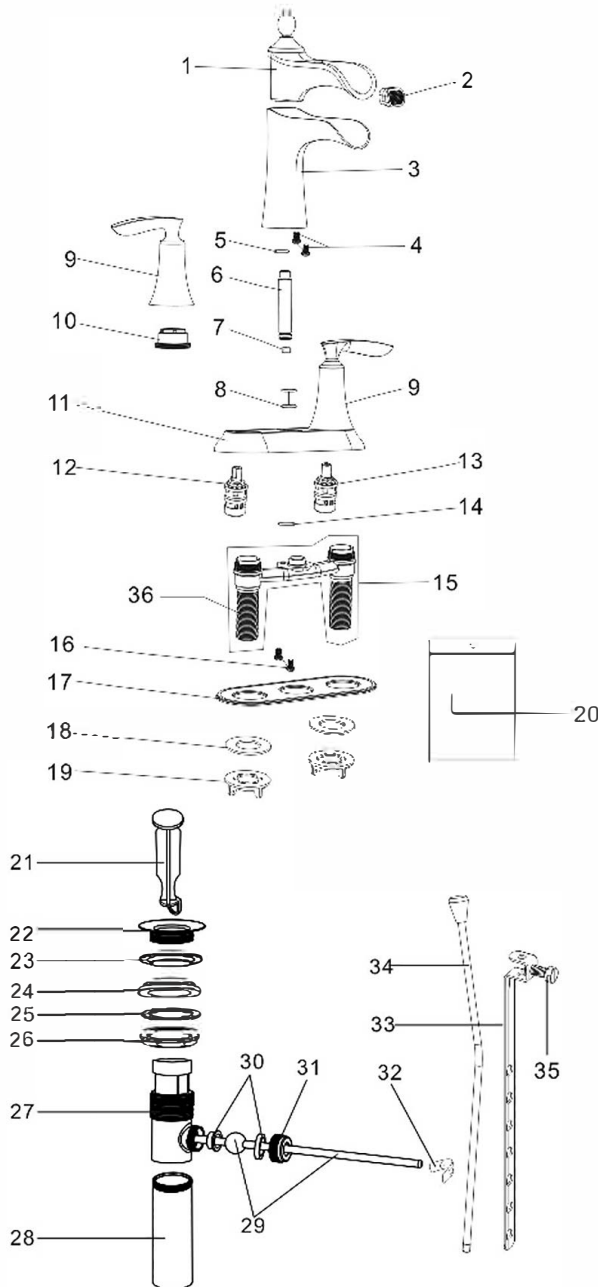
Cheyenne - Two Handle Bathroom Faucet

Model No. :

192-6434 (Polished Chrome)

192-6435 (Brushed Nickel Spotless PVD)

192-6436 (Oil-Rubbed Bronze)



Cartridge (Type I)



No.	Part Name	Material
1	Spout	Brass
2	Aerator	Plastic
3	Body	Zinc
4	Screws	Stainless Steel
5	O-ring	Rubber
6	Inlet	Brass
7	Flow Restrictor	Plastic
8	O-ring	Rubber
9	Handle	Zinc
10	Cartridge Locknut	Zinc
11	Deck Plate	Zinc
12	Cartridge(Hot Water)	Ceramic
13	Cartridge(Cold Water)	Ceramic
14	O-ring	Rubber
15	Brazed Underbody	Brass
16	Screw	Stainless Steel
17	Putty Plate	Plastic
18	Washer	Rubber
19	Plastic Locknut	Plastic
20	Allen Key	Steel
21	Drain Stopper	Brass
22	Flange	Brass
23	Top Rubber Washer	Rubber
24	Bottom Rubber Washer	Rubber
25	Washer	Plastic
26	Locknut	Zinc
27	Drain Body	Brass
28	Tailpiece	Brass
29	Horizontal Rod	Stainless Steel+Plastic
30	Rod Ball Plastic Gasket	Plastic
31	Rod Guide Nut	Brass
32	Spring Clip	Stainless Steel
33	Extend Rod	Steel
34	Lift Rod	Stainless Steel
35	Extend Rod Screw	Steel
36	Faucet Tailpiece	Brass