

## Cheyenne Contractor Six Function Shower Only Trim Pack



### Model No. : 192-6452

- \* One Piece Pressure Balanced Ceramic Cartridge with Balancing Spool
- \* Back-to-Back Installation Capability
- \* 4-3/4" Six Function Shower Head
- \* Metal Shower Arm with Flange
- \* Metal Escutcheon with Screws
- \* Zinc Handle
- \* Matching Finish Trim Sleeve
- \* 1.5 GPM@80 PSI Shower Head

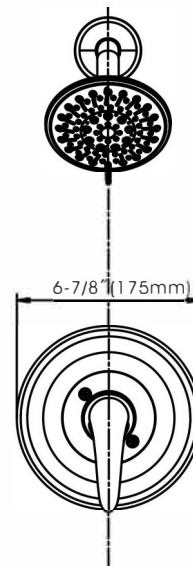
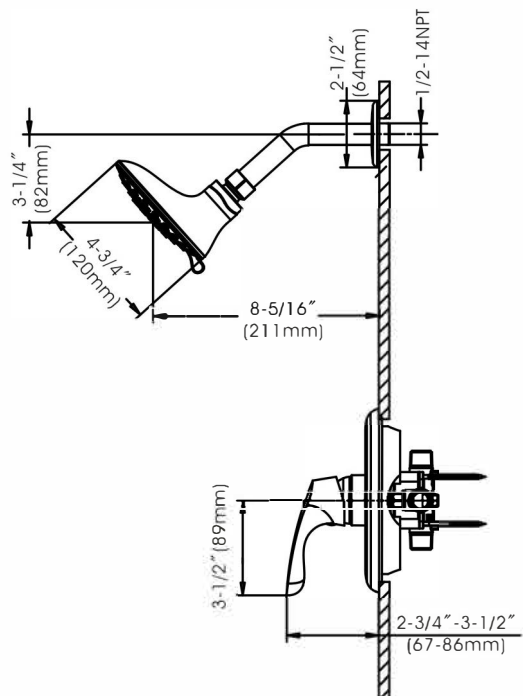
Project / Job Name	
Architect / Engineer	
Contractor	
Model	
Quantity	

### Model No. :

192-6452 (CH)  
(Shown Model)

192-6453 (BN *Spotless PVD*)

192-6454 (ORB)



#### Product Compliance:

- ASME A112.18.1 / CSA B125.1
- ANSI A117.1 (ADA)
- ASSE 1016