

Presley Two Handle Bathroom Faucet



- * 4" Center-set, 3 Hole Installation
- * Brass Pop-up Drain Assembly Included
- * 4-13/16" High and 5-1/8" Long Spout, Zinc Handle, Zinc Deck Plate
- * Brass Waterway Construction with 1/2" -14 NPSM Connection
- * 1/4 Turn Premium Grade Ceramic Cartridges (Type I)
- * Flow Rate: 1.2GPM @ 60PSI
- * 100% Pressure System Tested
- * Lifetime Limited Warranty; 5 year warranty from date of purchase for Commercial users.

| | |
|----------------------|--|
| Project / Job Name | |
| Architect / Engineer | |
| Contractor | |
| Model | |
| Quantity | |

Model No. :



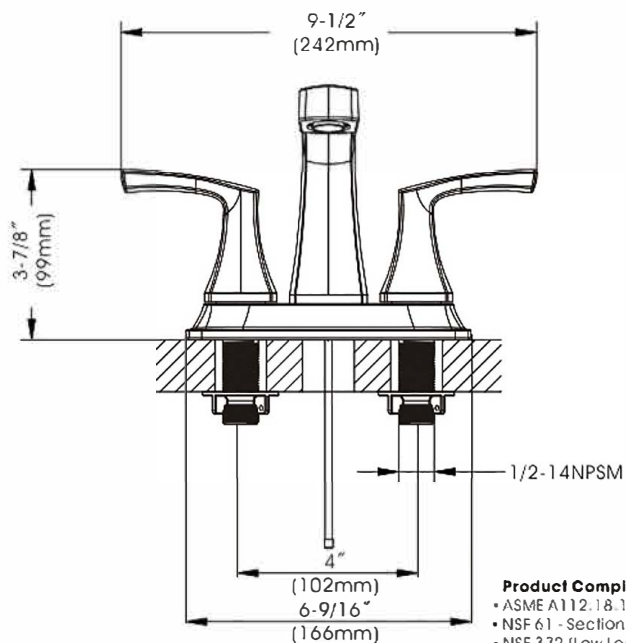
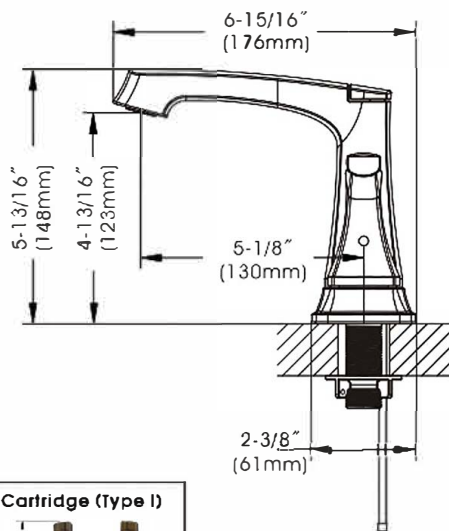
192-6401 (CH)
(Shown Model)



192-6402 (BN *Spotless PVD*)



192-6403 (ORB)



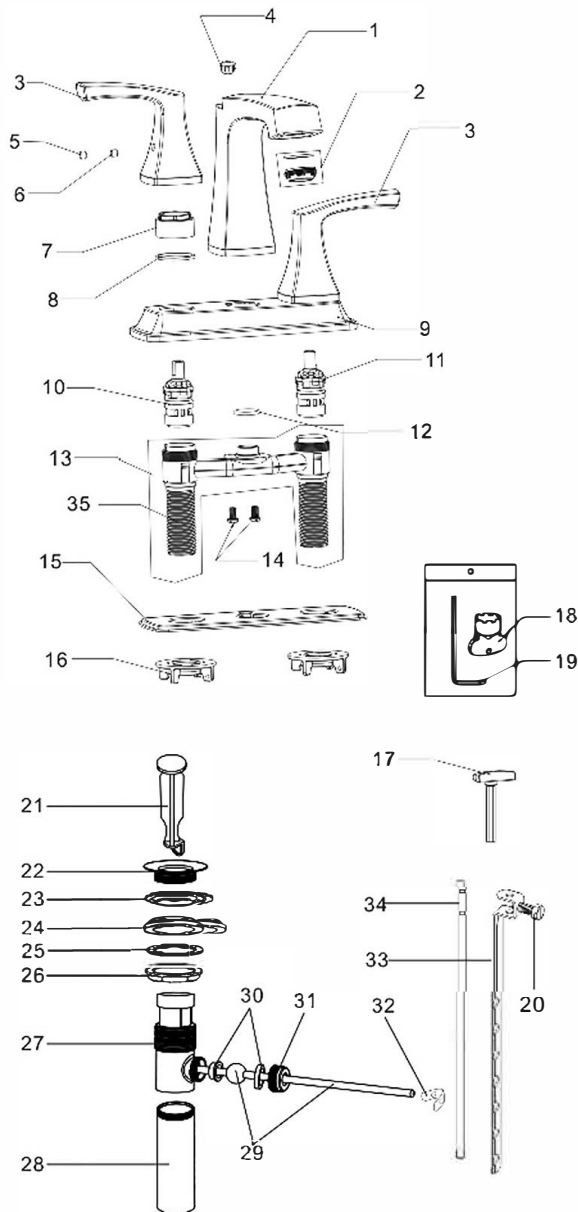
Cartridge (Type I)



Product Compliance:

- ASME A112.18.1 / CSA B125.1
- NSF 61 - Section 9
- NSF 372 (Low Lead Content)
- ANSI A117.1 (ADA)
- EPA - Water Sense

Presley - Two Handle Bathroom Faucet



Model No. :

192-6401 (Polished Chrome)

192-6402 (Brushed Nickel *Spifless PVD*)

192-6403 (Oil-Rubbed Bronze)

| No. | Part Name | Material |
|-----|-------------------------|-------------------------|
| 1 | Spout | Brass |
| 2 | Aerator | Plastic |
| 3 | Handle | Zinc |
| 4 | Sleeve | Plastic |
| 5 | Index | Rubber |
| 6 | Screw | Stainless Steel |
| 7 | Cartridge Locknut | Zinc |
| 8 | Plastic Washer | Plastic |
| 9 | Deck Plate | Zinc |
| 10 | Cartridge(Hot Water) | Ceramic |
| 11 | Cartridge(Cold Water) | Ceramic |
| 12 | O-ring | Rubber |
| 13 | Brazed Underbody | Brass |
| 14 | Screw | Stainless Steel |
| 15 | Putty Plate | Plastic |
| 16 | Plastic Locknut | Plastic |
| 17 | Handle of lift rod | Zinc |
| 18 | Aerator Wrench | Plastic |
| 19 | Allen Key | Steel |
| 20 | Extend Rod Screw | Steel |
| 21 | Drain Stopper | Brass |
| 22 | Flange | Brass |
| 23 | Top Rubber Washer | Rubber |
| 24 | Bottom Rubber Washer | Rubber |
| 25 | Washer | Plastic |
| 26 | Locknut | Zinc |
| 27 | Drain Body | Brass |
| 28 | Tailpiece | Brass |
| 29 | Horizontal Rod | Stainless Steel+Plastic |
| 30 | Rod Ball Plastic Gasket | Plastic |
| 31 | Rod Guide Nut | Brass |
| 32 | Spring Clip | Stainless Steel |
| 33 | Extend Rod | Steel |
| 34 | Lift Rod | Stainless Steel |
| 35 | Faucet Tailpiece | Brass |

Cartridge (Type I)

