

## Bethany - Single Handle Bathroom Faucet



- \* Single Hole or 3 Hole Installation
- \* Includes Brass Pop-up Drain
- \* 3-1/8" High and 5" Long One Piece Solid Cast Brass Spout, Zinc Handle, Stainless Steel Deck Plate
- \* Copper Waterway Construction with 1/2"-14 NPSM Connection
- \* Premium Grade Ceramic Cartridge (Type E)
- \* Flow Rate: 1.2GPM @ 60PSI
- \* 100% Pressure System Tested
- \* Lifetime Limited Warranty; 5 year warranty from date of purchase for Commercial users.

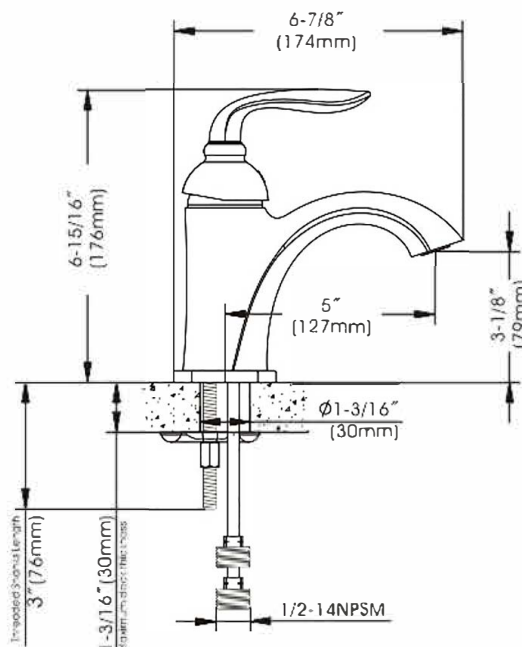
Project / Job Name	
Architect / Engineer	
Contractor	
Model	
Quantity	

### Model No. :

192-5889 (CH)  
(Shown Model)

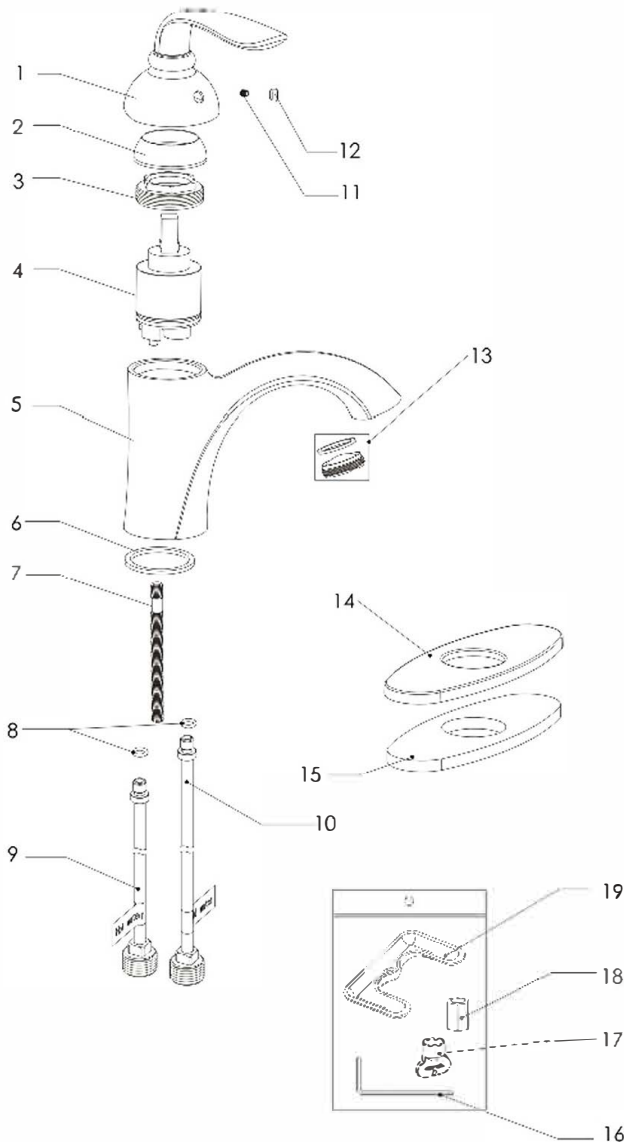
192-5890 (BN *Spotless PVD*)

192-5891 (ORB)



- Product Compliance:**
- ASME A112.18.1 / CSA B125.1
  - NSF 61 - Section 9
  - NSF 372 (Low Lead Content)
  - ANSI A117.1 (ADA)
  - EPA - Water Sense

## Bethany - Single Handle Bathroom Faucet



### Model No. :

192-5889 (Polished Chrome)

192-5890 (Brushed Nickel *Spaless* PVD)

192-5891 (Oil-Rubbed Bronze)

No.	Part Name	Material
1	Handle	Zinc
2	Trim Cap	Plastic
3	Cartridge Lock Nut	Brass
4	Cartridge	Ceramic
5	Body	Brass
6	Wearing Ring	Rubber
7	Bolt	Stainless Steel
8	O-Ring	Rubber
9	Copper Tube	Brass
10	Copper Tube	Brass
11	Set Screw	Stainless Steel
12	Index	Plastic
13	Aerator	Plastic+Rubber
14	Deck Plate	Stainless Steel
15	Putty Plate	Sponge
16	Allen Key	Steel
17	Aerator Wrench	Plastic
18	Lock Nut	Brass
19	Clamp	Stainless Steel

Cartridge (Type E)

