

## Presley - Single Handle Bathroom Faucet



- \* Includes Stainless Steel Deck Plate for 1 or 3 Hole Installation
- \* Brass Pop-up Drain Assembly Included
- \* 4-7/16" High and 5-1/8" Long Spout, Zinc Handle
- \* Copper Waterway Construction with 1/2" -14 NPSM Connection
- \* Premium Grade Ceramic Cartridge (Type Q)
- \* Flow Rate: 1.2GPM @ 60PSI
- \* 100% Pressure System Tested
- \* Lifetime Limited Warranty; 5 year warranty from date of purchase for Commercial users.

Project / Job Name	
Architect / Engineer	
Contractor	
Model	
Quantity	

### Model No. :



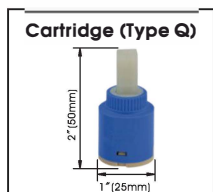
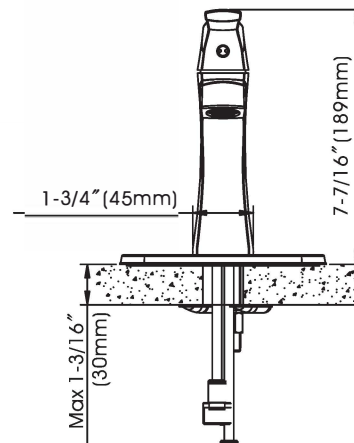
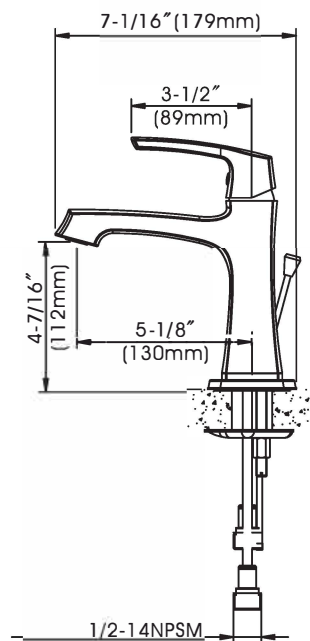
192-6398 (CH)  
(Shown Model)



192-6399 (BN *Spotless PVD*)



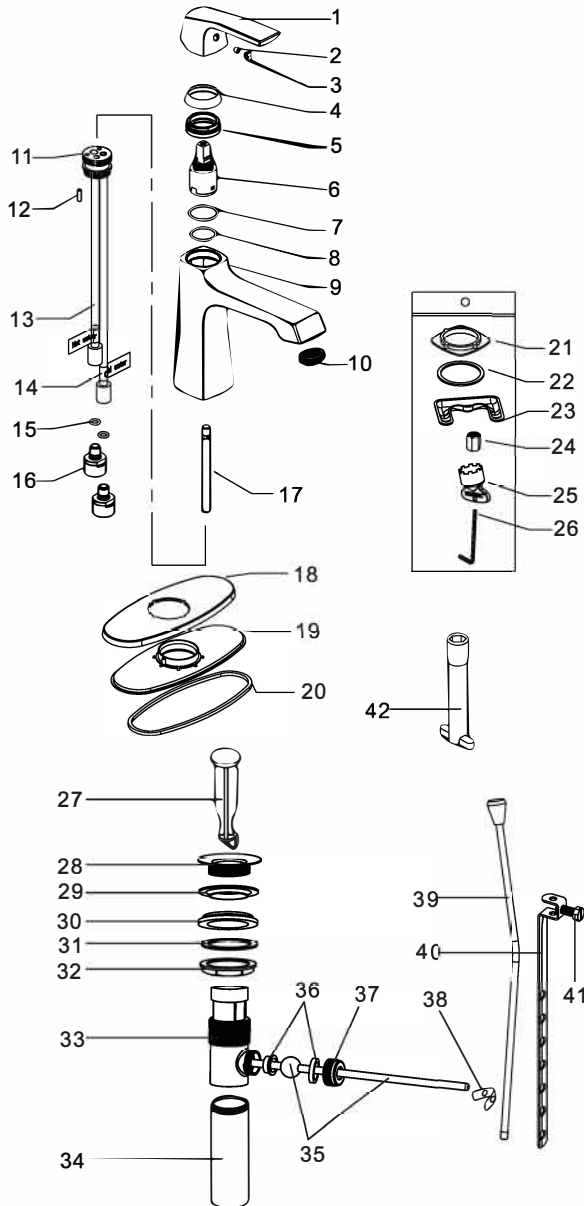
192-6400 (ORB)



#### Product Compliance:

- ASME A112.18.1 / CSA B125.1
- NSF 61 - Section 9
- NSF 372 (Low Lead Content)
- ANSI A117.1 (ADA)
- EPA - Water Sense

## Presley Single Handle Bathroom Faucet



### Model No. :

192-6398 (Polished Chrome)

192-6399 (Brushed Nickel **Spotless PVD**)

192-6400 (Oil-Rubbed Bronze)

No.	Part Name	Material
1	Handle	Zinc
2	Screw	Stainless Steel
3	Index	Plastic
4	Trim Cap	Brass
5	Cartridge Locknut	Brass
6	Cartridge	Ceramic
7	O-ring	Rubber
8	O-ring	Rubber
9	Body	Zinc
10	Aerator	Plastic
11	Waterway	Brass
12	Screw	Stainless Steel
13	Copper Tube	Brass
14	Copper Tube	Brass
15	O-ring	Rubber
16	Adapter	Brass
17	Bolt	Stainless Steel
18	Deck Plate	Zinc
19	Under-plate	Plastic
20	Under-plate Seal	Sponge
21	Gasket	Plastic
22	Sponge Gasket	Sponge
23	Clamp	Stainless Steel
24	Locknut	Brass
25	Aerator Wrench	Plastic
26	Allen Key	Steel
27	Drain Stopper	Brass
28	Flange	Brass
29	Top Rubber Washer	Rubber
30	Bottom Rubber Washer	Rubber
31	Washer	Plastic
32	Locknut	Zinc
33	Drain Body	Brass
34	Tailpiece	Brass
35	Horizontal Rod	Stainless Steel+Plastic
36	Rod Ball Plastic Gasket	Plastic
37	Rod Guide Nut	Brass
38	Spring Clip	Stainless Steel
39	Lift Rod	Stainless Steel
40	Extend Rod	Steel
41	Extend Rod Screw	Steel
42	Socket Wrench	Plastic

### Cartridge (Type Q)

