

Shawnee Two Handle High Arc Kitchen Faucet With Side Spray



- * 8" Centerset, 4 Hole Installation
- * 9" High Arc Stainless Steel Spout, Zinc Handle, Stainless Steel DeckPlate
- * Brass Waterway Construction with 1/2" -14 NPSM Connection
- * Matching Plastic Side Sprayer With 49" Quick-Connect Hose
- * 1/4 Turn Premium Grade Ceramic Cartridges (Type I)
- * Flow Rate: 1.8GPM @ 60PSI
- * 100% Pressure System Tested
- * Lifetime Limited Warranty; 5 year warranty from date of purchase for Commercial users.

Project / Job Name	
Architect / Engineer	
Contractor	
Model	
Quantity	

Model No. :



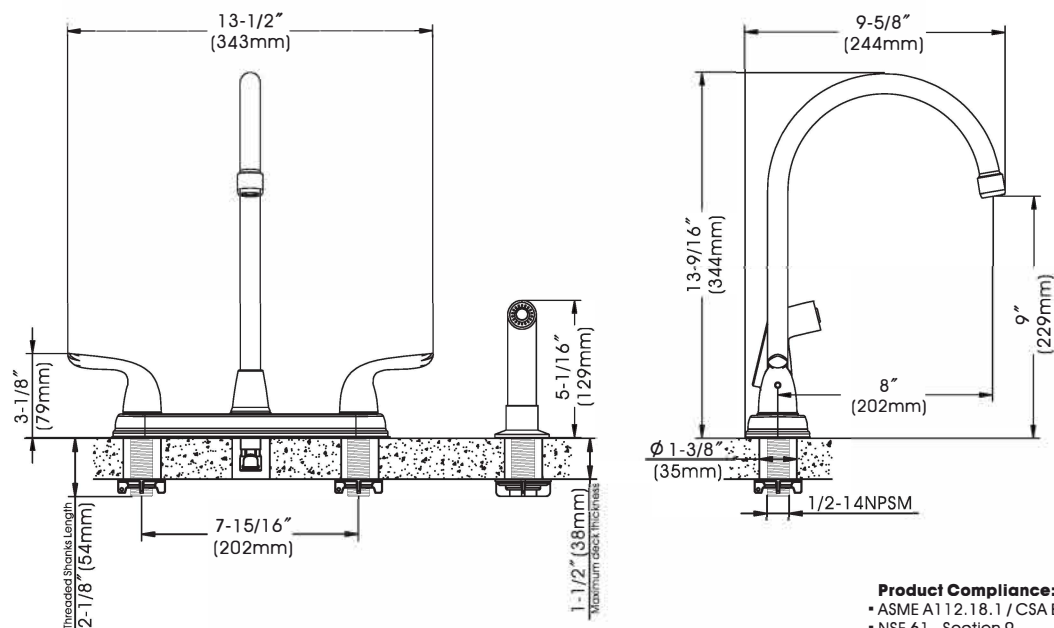
192-6887 (CH)
(Shown Model)



192-6888 (BN *Spotless PVD*)



192-6889 (ORB)



Cartridge (Type I)



Product Compliance:

- ASME A112.18.1 / CSA B125.1
- NSF 61 - Section 9
- NSF 372 (Low Lead Content)
- ANSI A117.1 (ADA)

Shawnee Two Handle High Arc Kitchen Faucet With Side Spray



- * 8" Centerset, 4 Hole Installation
- * 9" High Arc Stainless Steel Spout, Zinc Handle, Stainless Steel DeckPlate
- * Brass Waterway Construction with 1/2" -14 NPSM Connection
- * Matching Plastic Side Sprayer With 49" Quick-Connect Hose
- * 1/4 Turn Premium Grade Ceramic Cartridges (Type I)
- * Flow Rate: 1.8GPM @ 60PSI
- * 100% Pressure System Tested
- * Lifetime Limited Warranty; 5 year warranty from date of purchase for Commercial users.

Project / Job Name	
Architect / Engineer	
Contractor	
Model	
Quantity	

Model No. :



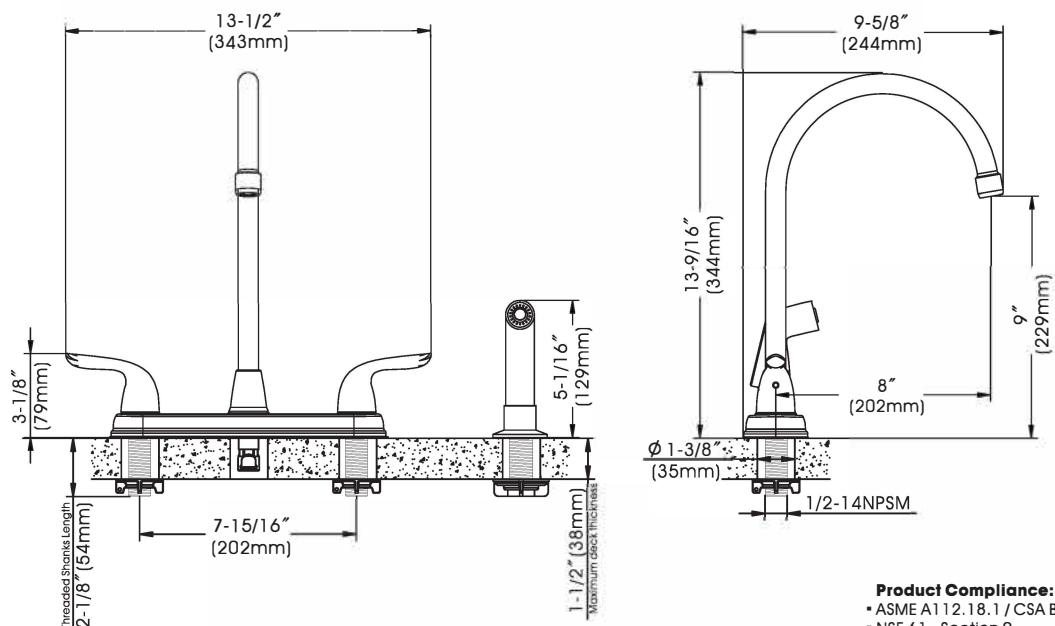
192-6887 (CH)



192-6888 (BN *Spotless PVD*)
(Shown Model)



192-6889 (ORB)



Cartridge (Type I)



Product Compliance:

- ASME A112.18.1 / CSA B125.1
- NSF 61 - Section 9
- NSF 372 (Low Lead Content)
- ANSI A117.1 (ADA)

Shawnee Two Handle High Arc Kitchen Faucet With Side Spray



- * 8" Centerset, 4 Hole Installation
- * 9" High Arc Stainless Steel Spout, Zinc Handle, Stainless Steel DeckPlate
- * Brass Waterway Construction with 1/2" -14 NPSM Connection
- * Matching Plastic Side Sprayer With 49" Quick-Connect Hose
- * 1/4 Turn Premium Grade Ceramic Cartridges (Type I)
- * Flow Rate: 1.8GPM @ 60PSI
- * 100% Pressure System Tested
- * Lifetime Limited Warranty; 5 year warranty from date of purchase for Commercial users.

Project / Job Name	
Architect / Engineer	
Contractor	
Model	
Quantity	

Model No. :



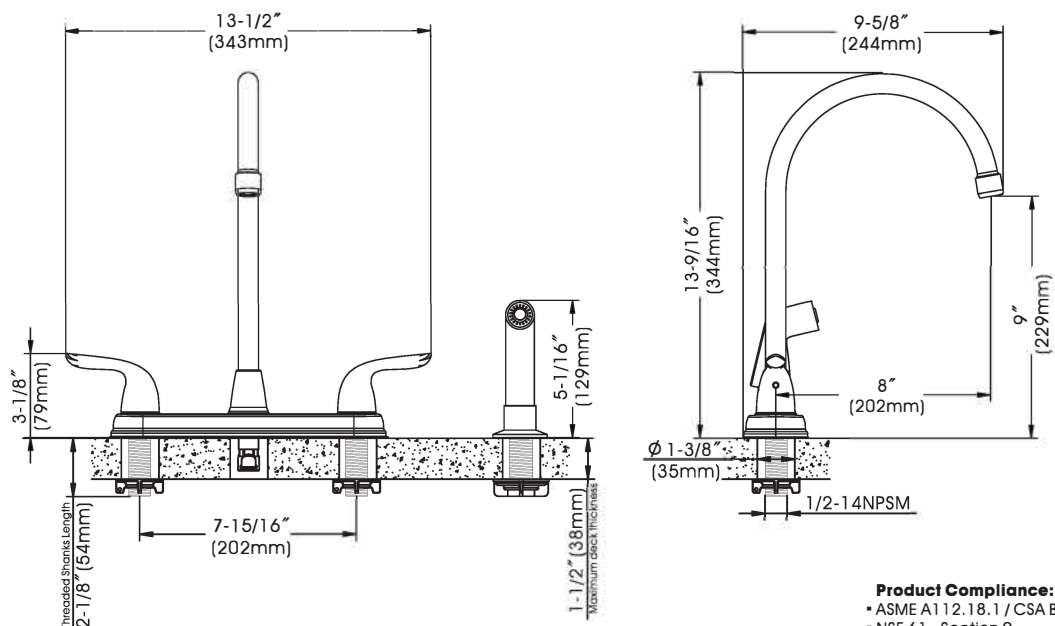
192-6887 (CH)



192-6888 (BN *Spotless PVD*)



192-6889 (ORB)
(Shown Model)



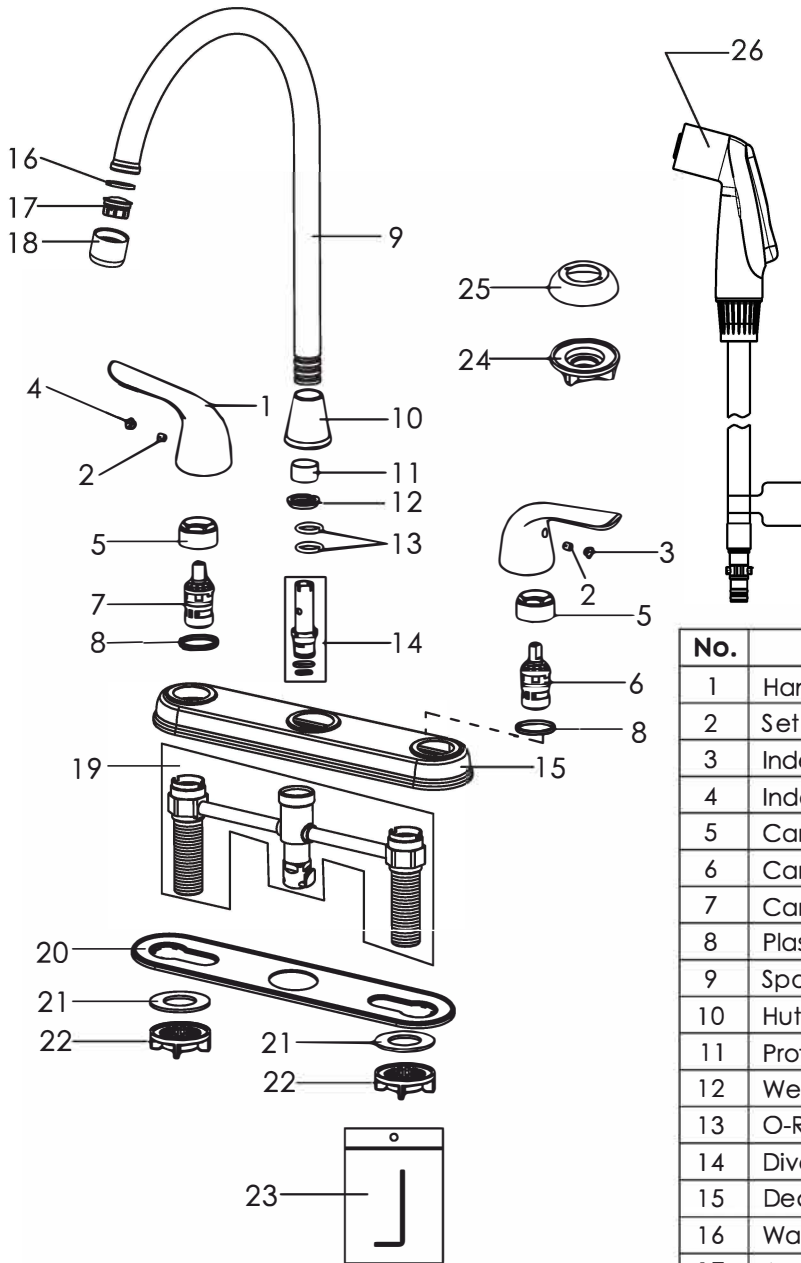
Cartridge (Type I)



Product Compliance:

- ASME A112.18.1 / CSA B125.1
- NSF 61 - Section 9
- NSF 372 (Low Lead Content)
- ANSI A117.1 (ADA)

Shawnee Two Handle High Arc Kitchen Faucet With Side Spray



Model No. :

192-6887 (Polished Chrome)

192-6888 (Brushed Nickel *Spotless PVD*)

192-6889 (Oil-Rubbed Bronze)

No.	Part Name	Material
1	Handle	Zinc
2	Set Screw	Stainless Steel
3	Index(Blue)	Rubber
4	Index(Red)	Rubber
5	Cartridge Lock Nut	Zinc
6	Cartridge(Cold Water)	Ceramic
7	Cartridge(Hot Water)	Ceramic
8	Plastic Washer	Plastic
9	Spout	Stainless Steel
10	Hut Nut	Zinc
11	Protective Sleeve	Plastic
12	Wearing Ring	Rubber
13	O-Ring	Rubber
14	Diverter	Plastic+Brass
15	Deck Plate	Zinc
16	Washer	Rubber
17	Aerator Core	Plastic
18	Aerator Collar	Brass
19	Brazed Underbody	Brass
20	Putty Plate	Plastic
21	Washer	Rubber
22	Plastic Lock Nut	Plastic
23	Allen Key	Steel
24	Plastic Lock Nut	Plastic
25	Spray Gasket	Plastic
26	Side Spray	Plastic

Cartridge (Type I)



Technical Support: warranty@cmlproduct.com
 Hour of Operation: Mon - Fri 8:30 a.m - 5:00 p.m. EST