

Casmir - Single Handle Vessel Faucet



- * Single Hole Installation
- * Includes a Unique Push Down Pop-up Drain that Works for Both Overflow and No Overflow Bathroom Sinks
- * 7-3/4" High and 4-1/8" Long One Piece Solid Cast Brass Spout, Zinc Handle
- * Copper Waterway Construction with 1/2" -14 NPSM Connection
- * Premium Grade Ceramic Cartridge (Type N)
- * Flow Rate: 1.2GPM @ 60PSI
- * 100% Pressure System Tested
- * Lifetime Limited Warranty; 5 year warranty from date of purchase for Commercial users.

Project / Job Name	
Architect / Engineer	
Contractor	
Model	
Quantity	

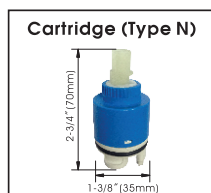
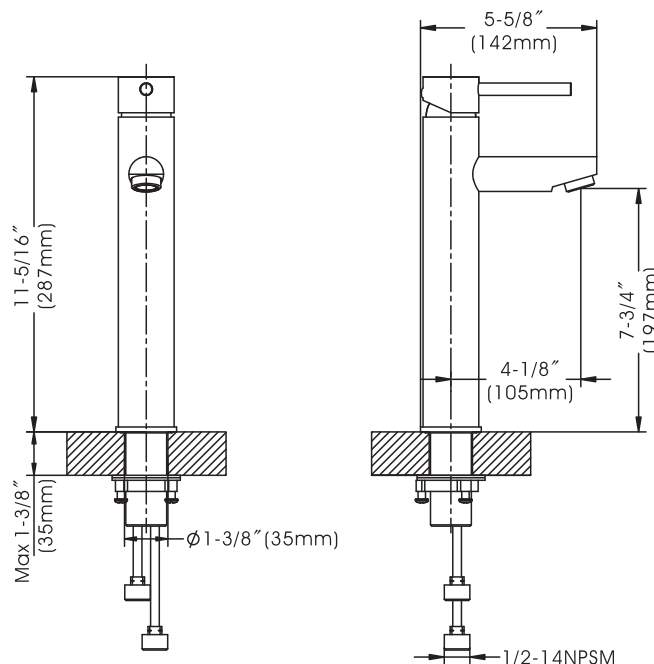
Model No. :

192-6480 (CH)
(Shown Model)

192-6481 (BN *Spotless PVD*)

192-7166 (MG)

192-7167 (MB)



- Product Compliance:**
- ASME A112.18.1 / CSA B125.1
 - NSF 61 - Section 9
 - NSF 372 (Low Lead Content)
 - ANSI A117.1 (ADA)
 - EPA - Water Sense

Casmir - Single Handle Vessel Faucet



- * Single Hole Installation
- * Includes a Unique Push Down Pop-up Drain that Works for Both Overflow and No Overflow Bathroom Sinks
- * 7-3/4" High and 4-1/8" Long One Piece Solid Cast Brass Spout, Zinc Handle
- * Copper Waterway Construction with 1/2" -14 NPSM Connection
- * Premium Grade Ceramic Cartridge (Type N)
- * Flow Rate: 1.2GPM @ 60PSI
- * 100% Pressure System Tested
- * Lifetime Limited Warranty; 5 year warranty from date of purchase for Commercial users.

Project / Job Name	
Architect / Engineer	
Contractor	
Model	
Quantity	

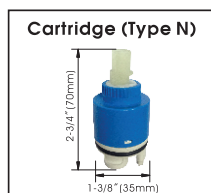
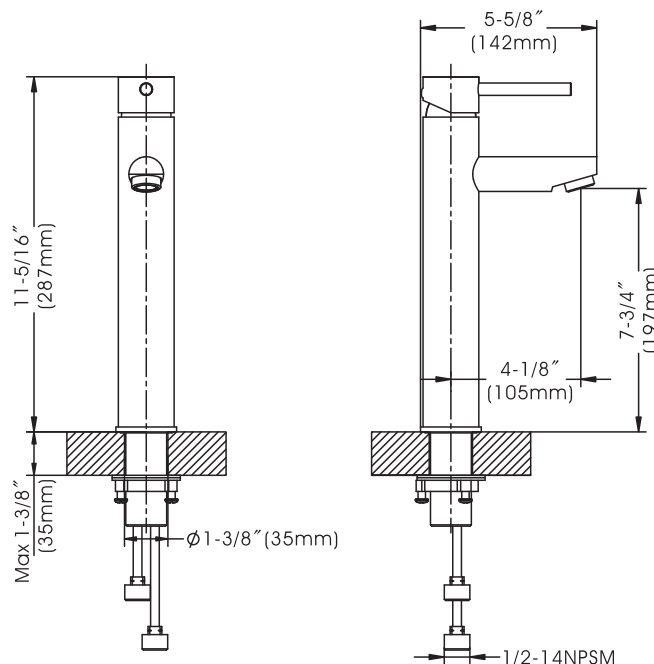
Model No. :

192-6480 (CH)

192-6481 (BN *Spotless PVD*)
(Shown Model)

192-7166 (MG)

192-7167 (MB)



- Product Compliance:**
- ASME A112.18.1 / CSA B125.1
 - NSF 61 - Section 9
 - NSF 372 (Low Lead Content)
 - ANSI A117.1 (ADA)
 - EPA - Water Sense

Casmir - Single Handle Vessel Faucet



- * Single Hole Installation
- * Includes a Unique Push Down Pop-up Drain that Works for Both Overflow and No Overflow Bathroom Sinks
- * 7-3/4" High and 4-1/8" Long One Piece Solid Cast Brass Spout, Zinc Handle
- * Copper Waterway Construction with 1/2" -14 NPSM Connection
- * Premium Grade Ceramic Cartridge (Type N)
- * Flow Rate: 1.2GPM @ 60PSI
- * 100% Pressure System Tested
- * Lifetime Limited Warranty; 5 year warranty from date of purchase for Commercial users.

Project / Job Name	
Architect / Engineer	
Contractor	
Model	
Quantity	

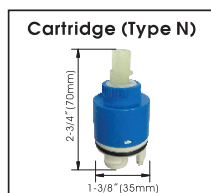
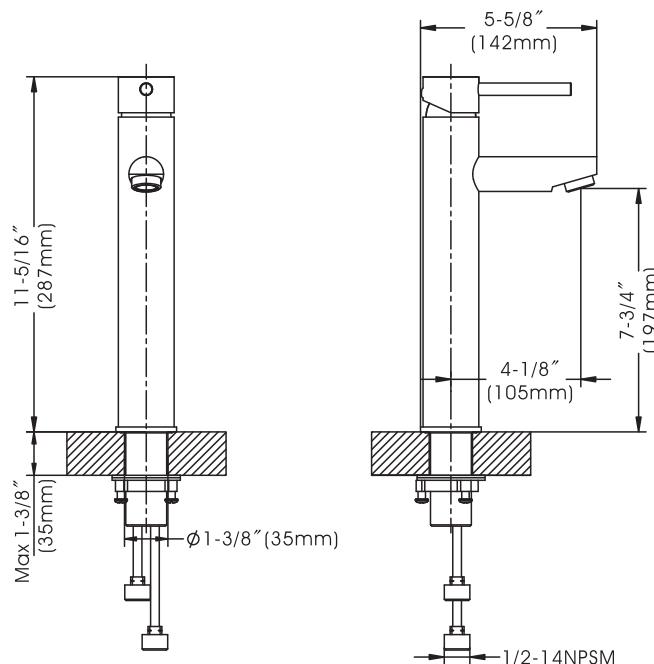
Model No. :

192-6480 (CH)

192-6481 (BN *Spotless PVD*)

192-7166 (MG)
(Shown Model)

192-7167 (MB)



- Product Compliance:**
- ASME A112.18.1 / CSA B125.1
 - NSF 61 - Section 9
 - NSF 372 (Low Lead Content)
 - ANSI A117.1 (ADA)
 - EPA - Water Sense

Casmir - Single Handle Vessel Faucet

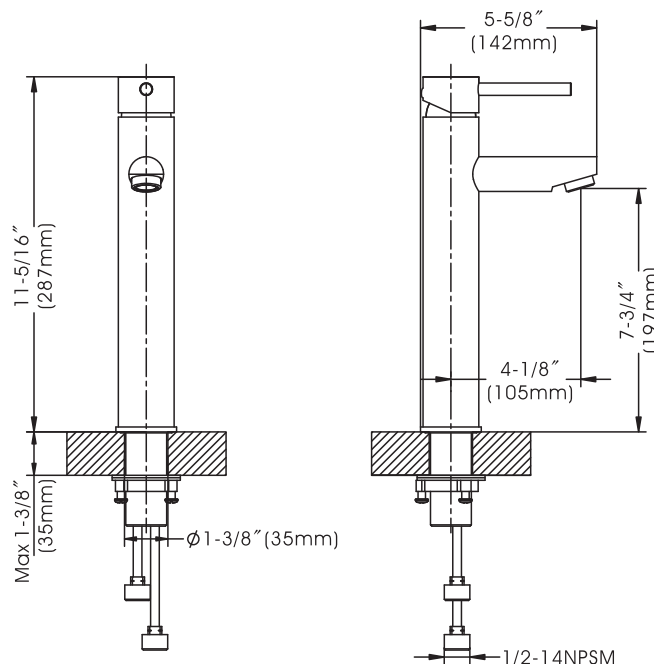


- * Single Hole Installation
- * Includes a Unique Push Down Pop-up Drain that Works for Both Overflow and No Overflow Bathroom Sinks
- * 7-3/4" High and 4-1/8" Long One Piece Solid Cast Brass Spout, Zinc Handle
- * Copper Waterway Construction with 1/2" -14 NPSM Connection
- * Premium Grade Ceramic Cartridge (Type N)
- * Flow Rate: 1.2GPM @ 60PSI
- * 100% Pressure System Tested
- * Lifetime Limited Warranty; 5 year warranty from date of purchase for Commercial users.

Project / Job Name	
Architect / Engineer	
Contractor	
Model	
Quantity	

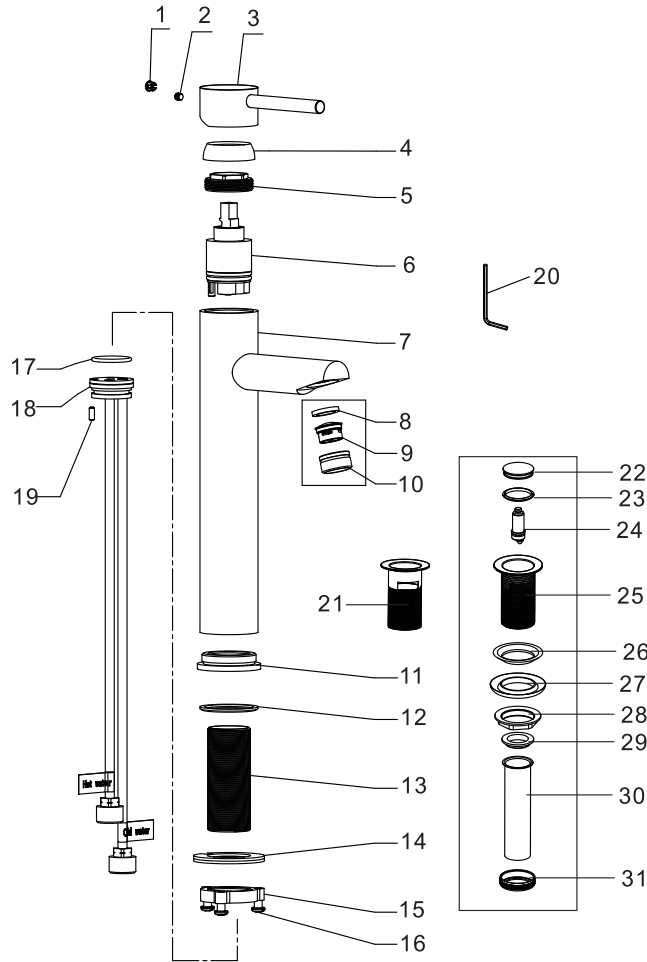
Model No. :

- 192-6480 (CH)
 192-6481 (BN Spotless PVD)
 192-7166 (MG)
 192-7167 (MB) (Shown Model)



- Product Compliance:**
- ASME A112.18.1 / CSA B125.1
 - NSF 61 - Section 9
 - NSF 372 (Low Lead Content)
 - ANSI A117.1 (ADA)
 - EPA - Water Sense

Casmir - Single Handle Vessel Faucet



Model No. :

- 192-6480 (Polished Chrome)
- 192-6481 (Brushed Nickel *Spotless PVD*)
- 192-7166 (Matte Gold)
- 192-7167 (Matte Black)

No.	Part Name	Material
1	Index	Plastic
2	Set Screw	Stainless Steel
3	Handle	Zinc
4	Trim Cap	Brass
5	Cartridge Lock Nut	Brass
6	Cartridge	Ceramic
7	Body	Brass
8	O-ring	Rubber
9	Aerator Core	Plastic
10	Aerator Collar	Brass
11	Base	Zinc
12	O-ring	Rubber
13	Shank	Stainless Steel
14	Clamp	Rubber
15	Lock Nut	Zinc
16	Screw	Stainless Steel
17	O-ring	Rubber
18	Waterway	Copper
19	Screw	Stainless Steel
20	Allen Wrench	Steel
21	Stopper Housing (With Overflow Hole)	Brass
22	Cover	Brass
23	Washer	Rubber
24	Stopper Core	Brass
25	Stopper Housing (Without Overflow Hole)	Brass
26	Washer	Rubber
27	Washer	Rubber
28	Lock Nut	Zinc
29	Washer	Rubber
30	Outlet Pipe	Brass
31	Nut	Brass

Cartridge (Type N)



Technical Support: warranty@cmiproduct.com
 Hour of Operation: Mon - Fri 8:30 a.m - 5:00 p.m. EST