

## Presley - Single Handle Vessel Faucet



- \* Single Hole Installation
- \* Includes a Unique Push Down Pop-up Drain that Works for Both Overflow and No Overflow Lavatory Sinks
- \* 8-7/8" High and 6-5/16" Long One Piece Solid Cast Brass Spout, Zinc Handle, Zinc Body
- \* Copper Waterway Construction with 1/2" - 14 NPSM Connection
- \* Premium Grade Ceramic Cartridge (Type Q)
- \* Flow Rate: 1.2GPM @ 60PSI
- \* 100% Pressure System Tested
- \* Lifetime Limited Warranty; 5 year warranty from date of purchase for Commercial users.

|                      |  |
|----------------------|--|
| Project / Job Name   |  |
| Architect / Engineer |  |
| Contractor           |  |
| Model                |  |
| Quantity             |  |

### Model No. :



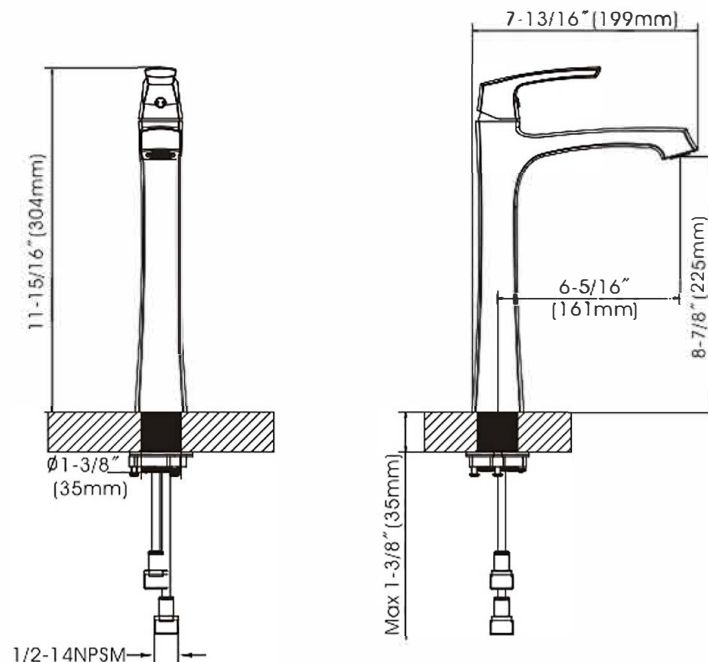
192-6410 (CH)  
(Shown Model)



192-6411 (BN *Spotless PVD*)



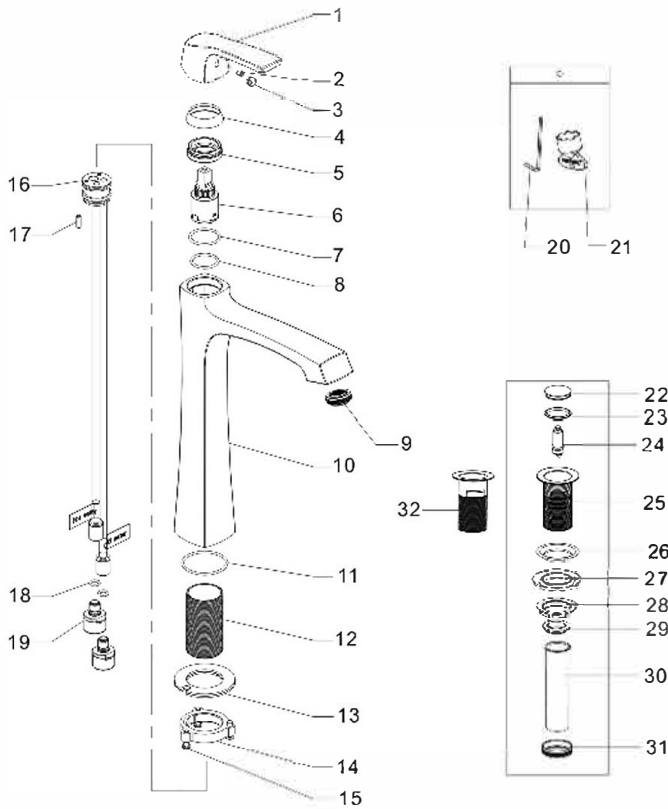
192-6412 (ORB)



#### Product Compliance:

- ASME A112.18.1 / CSA B125.1
- NSF 61 - Section 9
- NSF 372 (Low Lead Content)
- ANSI A117.1 (ADA)
- EPA - Water Sense

## Presley - Single Handle Vessel Faucet



### Model No. :

192-6410 (Polished Chrome)

192-6411 (Brushed Nickel *Spotless PVD*)

192-6412 (Oil-Rubbed Bronze)

| No. | Part Name                               | Material        |
|-----|---|-----------------|
| 1   | Handle                                  | Zinc            |
| 2   | Set Screw                               | Stainless Steel |
| 3   | Index                                   | Plastic         |
| 4   | Trim Cap                                | Brass           |
| 5   | Cartridge Locknut                       | Brass           |
| 6   | Cartridge                               | Ceramic         |
| 7   | O-ring                                  | Rubber          |
| 8   | O-ring                                  | Rubber          |
| 9   | Aerator                                 | Plastic         |
| 10  | Body                                    | Zinc            |
| 11  | O-ring                                  | Rubber          |
| 12  | Shank                                   | Stainless Steel |
| 13  | Clamp                                   | Rubber          |
| 14  | Locknut                                 | Zinc            |
| 15  | Screw                                   | Stainless Steel |
| 16  | Waterway                                | Brass           |
| 17  | Set Screw                               | Stainless Steel |
| 18  | O-ring                                  | Rubber          |
| 19  | Adapter                                 | Brass           |
| 20  | Allen Key                               | Steel           |
| 21  | Aerator Wrench                          | Plastic         |
| 22  | Cover                                   | Brass           |
| 23  | Washer                                  | Rubber          |
| 24  | Stopper Core                            | Brass           |
| 25  | Stopper Housing (Without Overflow Hole) | Brass           |
| 26  | Washer                                  | Rubber          |
| 27  | Washer                                  | Rubber          |
| 28  | Locknut                                 | Zinc            |
| 29  | Washer                                  | Rubber          |
| 30  | Outlet Pipe                             | Brass           |
| 31  | Nut                                     | Brass           |
| 32  | Stopper Housing (With Overflow Hole)    | Brass           |

### Cartridge (Type Q)

