

Shawnee - Single Handle Bathroom Faucet



- * 4" Center-set, 3 Hole Installation
- * Includes Brass Pop-up Drain
- * 2pc Zinc Body with Zinc Handle
- * Copper Waterway Construction with 1/2" -14 NPSM Connection
- * Premium Grade Ceramic Cartridge (Type G)
- * Flow Rate: 1.2GPM @ 60PSI
- * 100% Pressure System Tested
- * Lifetime Limited Warranty; 5 year warranty from date of purchase for Commercial users.

Project / Job Name	
Architect / Engineer	
Contractor	
Model	
Quantity	

Model No. :



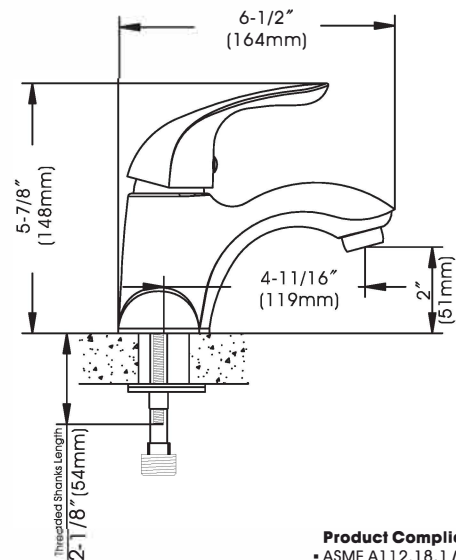
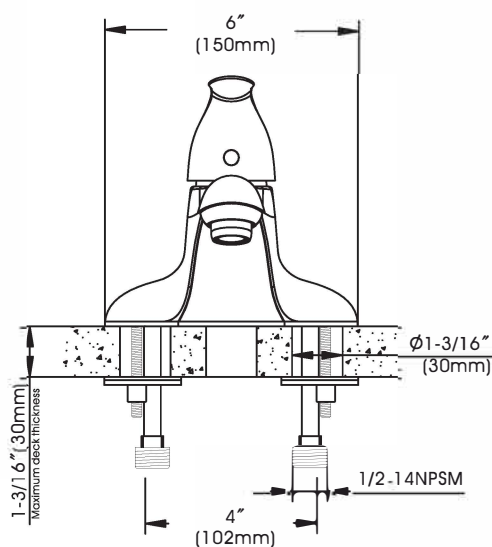
201-7693 (CH)
(Shown Model)



201-7694 (BN *Spotless PVD*)



192-5880 (ORB)



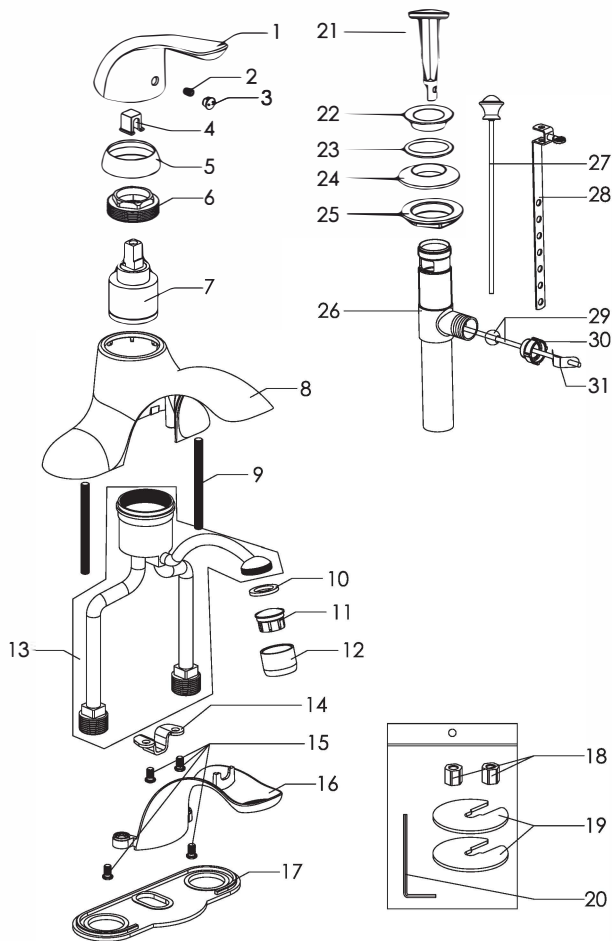
Cartridge (Type G)



Product Compliance:

- ASME A112.18.1 / CSA B125.1
- NSF 61 - Section 9
- NSF 372 (Low Lead Content)
- ANSI A117.1 (ADA)
- EPA - Water Sense

Shawnee - Single Handle Bathroom Faucet



Model No. :

201-7693 (Polished Chrome)

201-7694 (Brushed Nickel *Spotless PVD*)

192-5880 (Oil-Rubbed Bronze)

No.	Part Name	Material
1	Handle	Zinc
2	Set Screw	Stainless Steel
3	Index	Plastic
4	Cartridge Adapter	Plastic
5	Trim Cap	Brass
6	Cartridge Locknut	Stainless Steel
7	Cartridge	Ceramic
8	Upper Cover	Zinc
9	Bolt	Stainless Steel
10	Washer	Rubber
11	Aerator Core	Plastic
12	Aerator Collar	Brass
13	Waterway	Brass
14	Cartridge Retainer	Stainless Steel
15	Screw	Stainless Steel
16	Under Cover	Zinc
17	Putty Plate	Plastic
18	Lock Nut	Brass
19	Clamp	Stainless Steel
20	Allen Key	Steel
21	Drain Stopper	Brass+Plastic
22	Flange	Brass
23	Top Rubber Washer	Rubber
24	Bottom Rubber Washer	Rubber
25	Lock Nut	Brass
26	Drain Body	Brass
27	Lift Rod	Brass
28	Extend Rod	Steel
29	Horizontal Rod	Brass+Plastic
30	Rod Guide Nut	Brass
31	Spring Clip	Steel

Cartridge (Type G)

