

## Shawnee - Two Handle Bathroom Faucet



- \* 4" Center-set, 3 Hole Installation
- \* Includes Brass Pop-up Drain
- \* 2pc Zinc Body with Zinc Handle
- \* Brass Waterway Construction with 1/2" -14 NPSM Connection
- \* 1/4 Turn Premium Grade Ceramic Cartridges (Type I)
- \* Flow Rate: 1.2GPM @ 60PSI
- \* 100% Pressure System Tested
- \* Lifetime Limited Warranty; 5 year warranty from date of purchase for Commercial users.

Project / Job Name	
Architect / Engineer	
Contractor	
Model	
Quantity	

### Model No. :



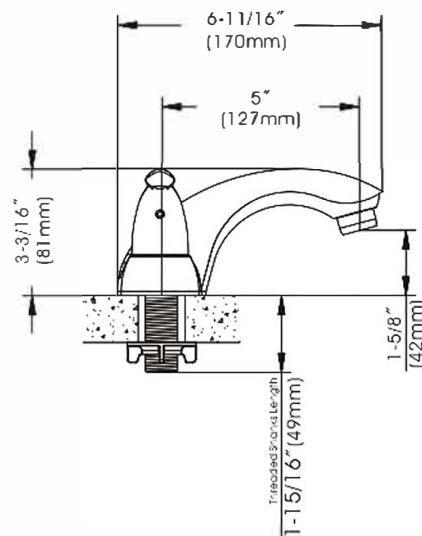
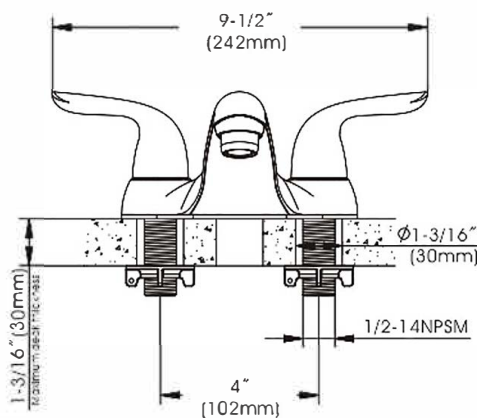
201-7695 (CH)  
(Shown Model)



201-7696 (BN *Spotless PVD*)



192-5881 (ORB)



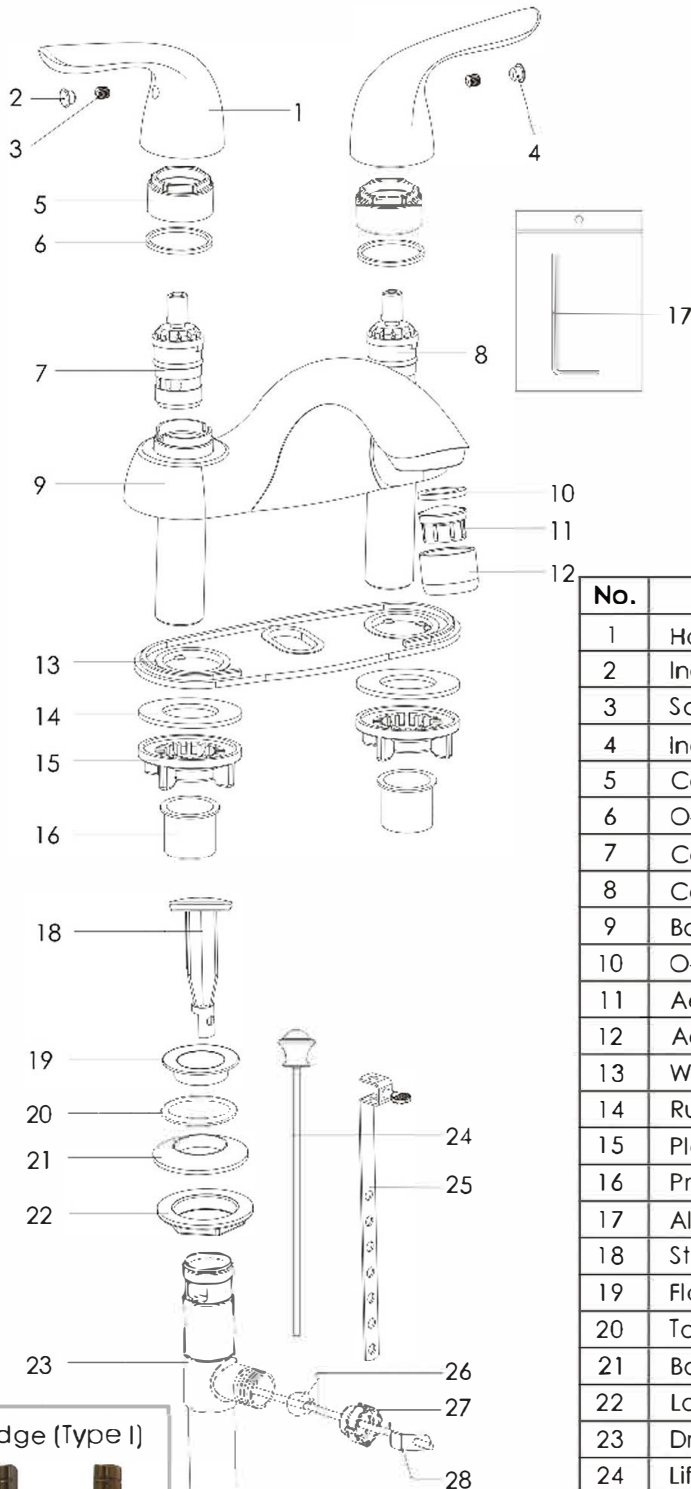
#### Cartridge (Type I)



#### Product Compliance:

- ASME A112.18.1 / CSA B125.1
- NSF 61 - Section 9
- NSF 372 (Low Lead Content)
- ANSI A117.1 (ADA)
- EPA - Water Sense

## Shawnee - Two Handle Bathroom Faucet



### Model No. :

201-7695 (Polished Chrome)

201-7696 (Brushed Nickel *Spaless* PVD)

192-5881 (Oil-Rubbed Bronze)

No.	Part Name	Material
1	Handle	Zinc
2	Index(Red)	Rubber
3	Screw	Stainless Steel
4	Index (Blue)	Rubber
5	Cartridge Lock Nut	Zinc
6	O-Ring	Plastic
7	Cartridge(Hot Water)	Ceramic
8	Cartridge(Cold Water)	Ceramic
9	Body	Zinc+Brass
10	O-Ring	Rubber
11	Aerator Core	Plastic
12	Aerator Collar	Brass
13	Washer	Plastic
14	Rubber Washer	Rubber
15	Plastic Nut	Plastic
16	Protective Sleeve	Plastic
17	Allen Key	Stainless Steel
18	Stopper	Plastic+Stainless Steel
19	Flange	Plastic+Stainless Steel
20	Top Rubber Washer	Rubber
21	Bottom Rubber Washer	Rubber
22	Lock Nut	Plastic
23	Drain Body	Plastic
24	Lift Rod	Steel
25	Extend Rod	Steel
26	Horizontal Rod	Steel+Plastic
27	Rod Guide Nut	Plastic
28	Spring Clip	Steel

Cartridge (Type I)

