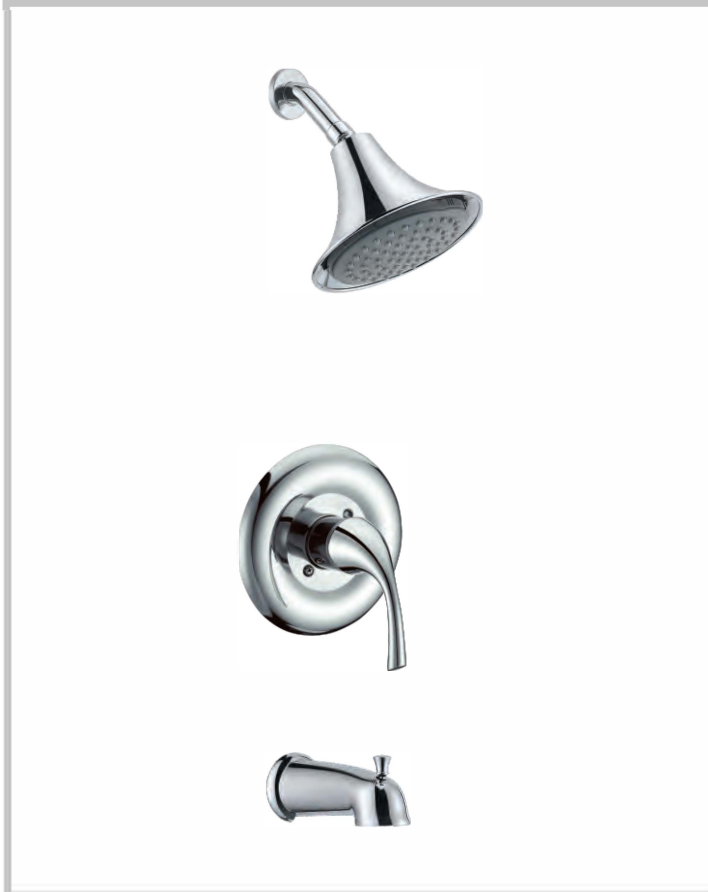


Grand Series Tub and Shower Trim Pack

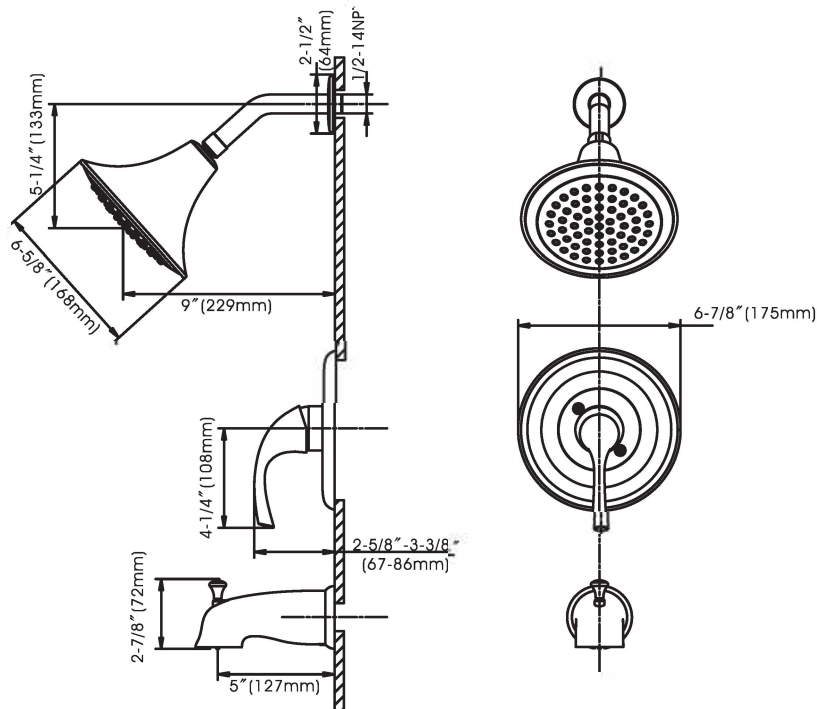


Model No. : 192-6177

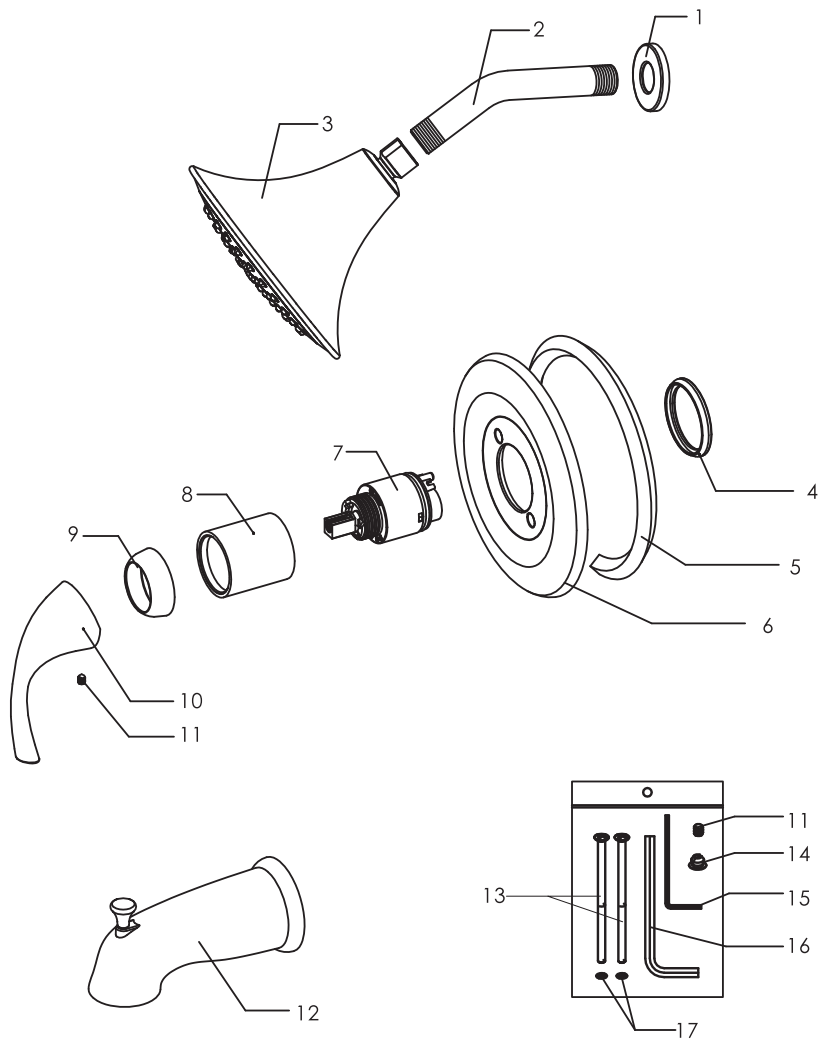
- * Polished Chrome Finish
- * One Piece Pressure Balanced Ceramic Cartridge with Balancing Spool
- * Back-to-Back Installation Capability
- * 6-1/2" Single Function Shower Head
- * Metal Shower Arm with Flange
- * Metal Escutcheon with Screws
- * Zinc Handle
- * Matching Finish Trim Sleeve
- * 1.5 GPM@80 PSI Shower Head
- * 7.0 GPM@80 PSI Diverter Tub Spout with easy "Snap In" design

Project / Job Name	
Architect / Engineer	
Contractor	
Model	
Quantity	

Model No. : 192-6177 (Polished Chrome) 192-6178 (Brushed Nickel) 192-6179 (Oil-Rubbed Bronze)



Grand Series Tub and Shower Trim Pack



Model No. :

192-6177 (Polished Chrome)

192-6178 (Brushed Nickel)

192-6179 (Oil-Rubbed Bronze)

No.	Part Name	Material
1	Shower Arm Flange	Stainless Steel
2	Shower Arm	Stainless Steel
3	Shower Head	Plastic
4	Sealing Ring	Rubber
5	Sealing Ring	Sponge
6	Escutcheon	Stainless Steel
7	Cartridge	Ceramic
8	Cartridge Sleeve	Brass
9	Cartridge Locknut	Zinc
10	Handle	Zinc
11	Set Screw	Stainless Steel
12	Tub Spout	Zinc
13	Escutcheon Screw	Stainless Steel
14	Hot/Cold Button	Plastic
15	Allen Key	Steel
16	Allen Key	Steel
17	Escutcheon Screw O-rings	Rubber

