

Casmir Series Tub Only Trim Pack



• Model No. : 192-6495

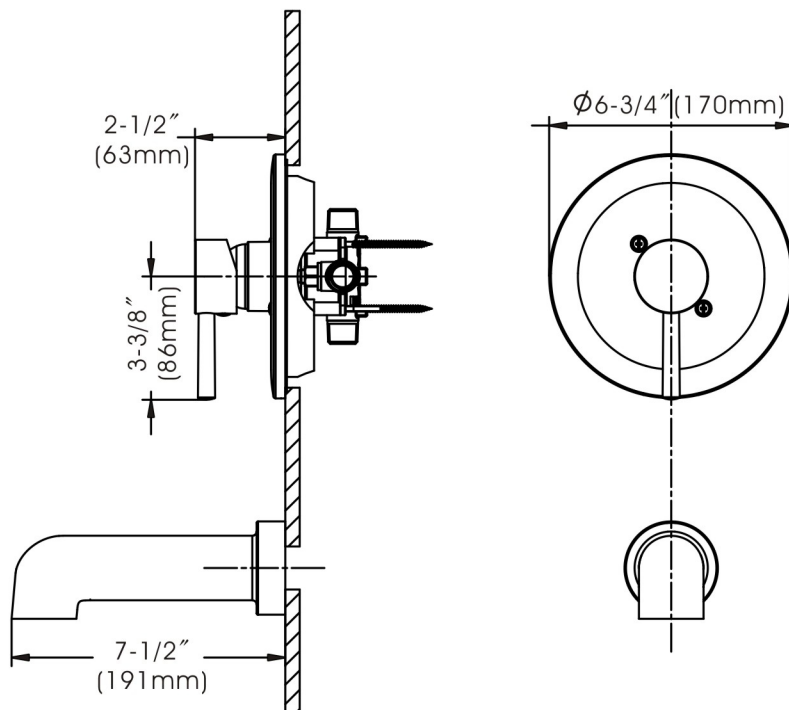
- * One Piece Pressure Balanced Ceramic Cartridge with Balancing Spool
- * Back-to-Back Installation Capability
- * Zinc Handle
- * Matching Finish Trim Sleeve
- * 7.0 GPM@80 PSI Non-Diverter Tub Spout with easy "Snap In" design

Project / Job Name	
Architect / Engineer	
Contractor	
Model	
Quantity	

Model No. :

192-6495 (CH)
(Shown Model)

192-6496 (BN *Spotless PVD*)



Product Compliance:

- ASME A112.18.1 / CSA B125.1
- ANSI A117.1 (ADA)
- ASSE 1016