



Power Systems > Power Cable Accessories > Joints & Splices > Heat Shrink Shielded Cable Splice Kit



Joints & Splice Product Availability: **AMERICAS**

Installation Instruction: **English**

Joints & Splice Technology: **Heat Shrink**

Joints & Splice Voltage Class: **≤ 35 kV**

Joint & Splice Application Type: **Inline**

[All Heat Shrink Shielded Cable Splice Kit \(21\)](#)

Features

Product Type Features

Joints & Splice Technology	Heat Shrink
Insulation	Plastic
Cable Shield Style	Tape
Mechanical Connectors Included	No

Configuration Features

Number of Cores	1
-----------------	---

Electrical Characteristics

Joints & Splice Voltage Class	≤ 35 kV
-------------------------------	--------------

Dimensions

Insulation Diameter (Plastic)	.95 – 1.35 in
	1.55 in

Operation/Application

Joint & Splice Application Type	Inline
---------------------------------	--------

Industry Standards

Design Specification	IEEE 404
----------------------	----------



Product Availability

Joints & Splice Product Availability

AMERICAS

Other

Installation Instruction

English

Product Compliance

[For compliance documentation, visit the product page on TE.com>](#)

EU RoHS Directive 2011/65/EU

Compliant

EU ELV Directive 2000/53/EC

Compliant

China RoHS 2 Directive MIIT Order No 32, 2016

No Restricted Materials Above Threshold

EU REACH Regulation (EC) No. 1907/2006

Current ECHA Candidate List: JUN 2020 (209)
Candidate List Declared Against: JUN 2016 (169)
Does not contain REACH SVHC

Halogen Content

Not Yet Reviewed for halogen content

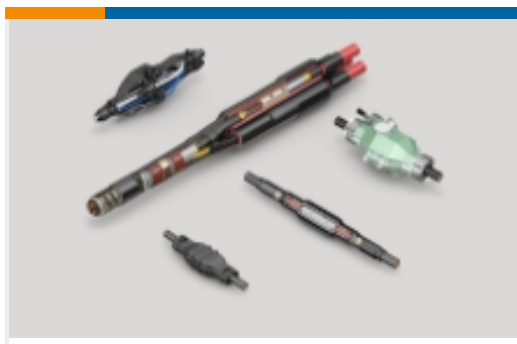
Solder Process Capability

Not applicable for solder process capability

Product Compliance Disclaimer

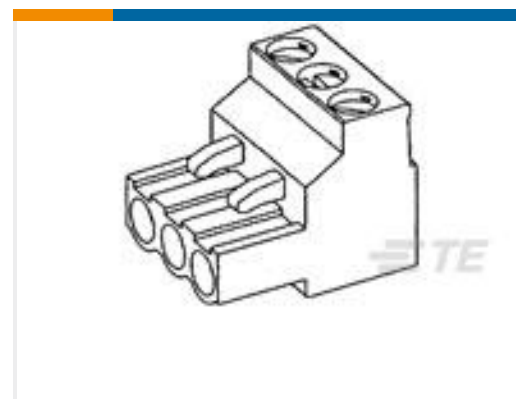
This information is provided based on reasonable inquiry of our suppliers and represents our current actual knowledge based on the information they provided. This information is subject to change. The part numbers that TE has identified as EU RoHS compliant have a maximum concentration of 0.1% by weight in homogenous materials for lead, hexavalent chromium, mercury, PBB, PBDE, DBP, BBP, DEHP, DIBP, and 0.01% for cadmium, or qualify for an exemption to these limits as defined in the Annexes of Directive 2011/65/EU (RoHS2). Finished electrical and electronic equipment products will be CE marked as required by Directive 2011/65/EU. Components may not be CE marked. Additionally, the part numbers that TE has identified as EU ELV compliant have a maximum concentration of 0.1% by weight in homogenous materials for lead, hexavalent chromium, and mercury, and 0.01% for cadmium, or qualify for an exemption to these limits as defined in the Annexes of Directive 2000/53/EC (ELV). Regarding the REACH Regulations, TE's information on SVHC in articles for this part number is still based on the European Chemical Agency (ECHA) 'Guidance on requirements for substances in articles' (Version: 2, April 2011), applying the 0.1% weight on weight concentration threshold at the finished product level. TE is aware of the European Court of Justice ruling of September 10th, 2015 also known as O5A (Once An Article Always An Article) stating that, in case of 'complex object', the threshold for a SVHC must be applied to both the product as a whole and simultaneously to each of the articles forming part of its composition. TE has evaluated this ruling based on the new ECHA "Guidance on requirements for substances in articles" (June 2017, version 4.0) and will be updating its statements accordingly.

Also in the Series | [Raychem HVS](#)



Joints & Splices(64)

Customers Also Bought

TE Model / Part #1-1609091-5
Corcom MRI LED Lighting FiltersTE Model / Part #801809-000
Heat Shrink Shielded Cable Splice KitTE Model / Part #F59451-000
Terminations for Shielded CablesTE Model / Part #136410-000
Medium-Wall Heat Shrink TubingTE Model / Part #F78456-000
WV HIGH TACK WHITE VINYL LABELSTE Model / Part #CB2527-000
HVT-Z-J HV TERMINATIONS - JCN
CABLESTE Model / Part #5-796640-7
6 POS 5.0 MM R/A PLUG, TRM BLK,

Documents

Product Drawings

[HVS-3521S](#)

English

Datasheets & Catalog Pages

[HVS-INLINE-SPLICE-CABLE-ACCESSORIES](#)

English

[EMPALME TERMOCONTRACTIL \(HVS 1/C\)](#)

Instruction Sheets

[Instruction Sheet \(U.S.\)](#)

English

[Instruction Sheet \(U.S.\)](#)

English

[Instruction Sheet \(U.S.\)](#)

English

[Instruction Sheet \(U.S.\)](#)



English

Instruction Sheet (U.S.)

English