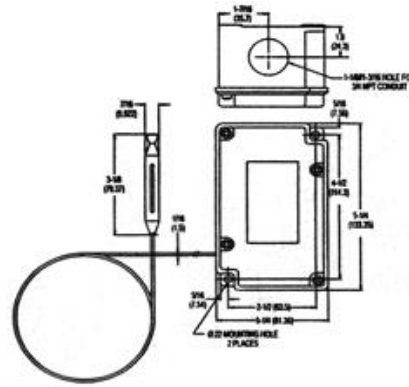


STAT-LS-40F



The STAT-LS-40F thermostat is ideal for applications where freeze protection or lower-range temperature control is critical. In cold climates the thermostat switches heating devices that prevent pipes, valves, tanks and fittings from freezing.

This thermostat can be used in ambient-sensing applications by placing the sensor in the air or as a line-sensing thermostat by securing the bulb to the pipe or tank. It can be used as a single circuit control or as a pilot control for several circuits by switching a contactor. Set point at factory is 40°F/5°C.

SPECIFICATIONS

ENCLOSURE RATING	NEMA 4X
ENTRIES	One ¾ inch NPT conduit hub
SET POINT	40°F/5°C Close on decreasing temperature
SENSOR EXPOSURE LIMITS	-30 to 140°F (-35 to 60°C)
HOUSING EXPOSURE LIMIT	-30 to 140°F (-35 to 60°C)
ENCLOSURE MATERIAL	Polycarbonate black
SWITCH	SPDT, pre-wired snap action
ELECTRICAL RATING	22 Amp @ 125/250/480 VAC
ACCURACY	± 1% of full scale
SENSOR & CAPILLARY TYPE	Copper tin plated, silicone oil filled bulb 3.12"(79mm) x 0.39"(10mm) diameter 10' (3.05m) long capillary
CONNECTION	14 AWG stranded, copper wire, PVC

APPROVALS

CSA and UL (Ordinary areas)

MANUFACTURER Barksdale

FOR HEATTRACER TECHNICAL ASSISTANCE CALL 1-800-663-6873 (NORTH AMERICA ONLY) OR +1.780.413.1774