

Hospital Grade Products

Project Name:	Prepared By:
Project Number:	Date:
Catalog Number:	Type:



Hospital Grade Tamper Resistant & GFCI Receptacles

2-Pole, 3-Wire Grounding
15A 125V, 20A 125V

Hospital Grade Tamper Resistant Duplex Receptacles

FEATURES

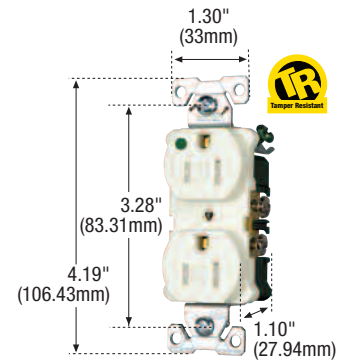
- Patented, spring-loaded mechanical shutter system provides reliable tamper resistance.
- Provides compliance to NEC® Art. 517.18(C) specifications of tamper resistant outlets in pediatric care locations.
- 0.037" (0.94mm) triple-wipe brass line contacts provide excellent long-term plug blade retention.
- High impact and chemical-resistant nylon face.

- All terminal (H-N-G) and mounting screws nickel-plated, triple combination (Slot/Phillips/Robertson) head for superior corrosion resistance and maximum flexibility
- Automatic grounding system eliminates need for bonding jumper in grounded metal enclosure, provides redundant measure of ground continuity where jumper used.

Back and Side Wire



Rating A V	NEMA	Description	Catalog No.	Available Colors
15 125	5-15R	Tamper Resistant Duplex Hospital Grade Receptacle	□ TR8200__	B, GY, V, RD, W
20 125	5-20R	Tamper Resistant Duplex Hospital Grade Receptacle	□ TR8300__	B, GY, V, RD, W



TR8200

Hospital Grade Ground Fault Circuit Interrupters

FEATURES

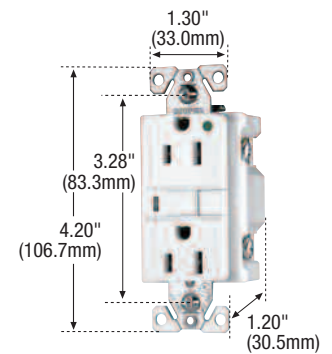
- UL Listed, fully compliant with all latest UL 943 (4th edition) Class A GFCI, UL 498 Hospital Grade requirements.
- ShockSentry™ lock-out function protects from miswired line-load connections and GFCI circuitry damage.
- Large visual indicator light provides quick visual reference of a tripped or “end of life” condition.
- When downstream receptacles are wired from load side, a 20 amp feed through rating offers full protection.
- Trip threshold (5ma+/-1ma) and response time (0.025 sec.) meet Class A requirements.
- Compact design provides maximum wiring room in “grounded box” applications.
- Maximum wiring flexibility is provided with 8 separate backwiring holes that accept up to #10 AWG stranded or solid wire.

- Ground screw backwiring clamp for fast, secure termination.
- Terminal screws are backed out, staked, and ready to wire.
- Device and wallplate mounting screws are captive, speeding installation time.
- Longer, wider “bridged” strap provides 40% more contact area with wallboard, virtually eliminating floating installations.
- Color-matched and recessed Test & Reset buttons provide uniform appearance.
- Matching thermoplastic wallplate included.
- Durable chemical and impact-resistant thermoplastic construction.
- Tamper Resistant version for compliance with 2008 NEC Article 517.18C states that all receptacles installed in Pediatric wards must be tamper resistant.

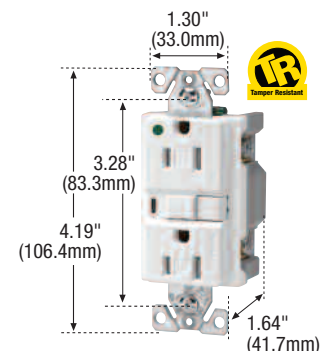
Back and Side Wire with Standard Size Unbreakable Wallplate



Rating A V	NEMA	Description	Catalog No.	Available Colors
15 125	5-15R	Duplex Hospital Grade GFCI Receptacle	□ VGFH15__	B, GY, V, LA, RD, W
20 125	5-20R	Duplex Hospital Grade GFCI Receptacle	□ VGFH20__	B, GY, V, LA, RD, W



VGFH15

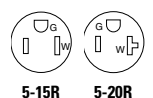


TRVGFH15

Tamper Resistant, Back and Side Wire



Rating A V	NEMA	Description	Catalog No.	Available Colors
15 125	5-15R	Tamper Resistant Duplex Hospital Grade GFCI Receptacle	□ TRVGFH15__	B, GY, V, LA, RD, W
20 125	5-20R	Tamper Resistant Duplex Hospital Grade GFCI Receptacle	□ TRVGFH20__	B, GY, V, LA, RD, W



For ordering, include Cat. No. followed by the color code: B (Brown), GY (Gray), V (Ivory), LA (Light Almond), RD (Red), W (White)

Hospital Grade Products Specification & Performance Data

Project Name:	Prepared By:
Project Number:	Date:
Catalog Number:	Type:





Hospital Grade Straight Blade Tamper Resistant Receptacles & GFCI Receptacles

2-Pole, 3-Wire Grounding
15A, 125V
20A, 125V

Application

Hospital Grade Tamper Resistant Receptacles code requirements for 2002 and 2005 NEC® Article 517.18(C) requires “receptacles located within the rooms, bathrooms, playrooms, activity rooms and patient care areas of pediatric wards shall be listed tamper resistant or shall employ a listed tamper resistant cover”. Cooper Wiring Devices’ line of Hospital Grade Straight Blade Tamper Resistant Receptacles feature a patented, spring-loaded mechanical shutter system to provide reliable tamper resistance.

Hospital Grade Tamper Resistant GFCI Receptacles were designed with the safety of the user in mind. Though some areas in a hospital are not suited for GFCI usage, there are plenty of areas like patient and public bathrooms, as well as food service facilities where GFCIs are required by the NEC®. Cooper Wiring Devices’ line of Hospital Grade GFCI Receptacles are UL Listed, fully compliant with all the latest (4th edition) Class A GFCI, UL498 Hospital Grade requirements. Additionally, our ShockSentry™ GFCIs incorporate a lock-out function to prevent mis-wired line-load connections and GFCI circuitry damage.

Receptacle Type	Hospital Grade Tamper Resistant Straight Blade Duplex TR8200, TR8300 Series 	Hospital Grade GFCI Receptacles VGFH15, VGFH20 Series	Hospital Grade Tamper Resistant GFCI Receptacles TRVGFH15, TRVGFH20 Series 
Wiring Type	Back & Side Wire	Back & Side Wire	Back & Side Wire
Testing & Code Compliance	<ul style="list-style-type: none"> Listed to UL498, file no. E140596. UL verified to Federal Spec. WC-596G. CSA Certified to C22.2, no. 42, file no. LR16063. 	<ul style="list-style-type: none"> cULus listed to UL 498 and UL943, file no. E60120. Meets all UL943 (GFCI), UL498 (Receptacles), UL498 Hospital Grade and applicable CSA requirements. NOM Certified. 	<ul style="list-style-type: none"> cULus listed to UL 498 and UL943, file no. E60120. Meets all UL943 (GFCI), UL498 (Receptacles), UL498 Hospital Grade and applicable CSA requirements. NOM Certified.
Specifications: Environmental	Flammability meets UL 94 requirements; V2 rated. Temperature Rating: -40°C to 60°C (-40°F to 140°F)	Flammability meets UL 94 requirements; V2 rated. Temperature rating: -35°C to 66°C (-31°F to 150.8°F)	Flammability meets UL 94 requirements; V2 rated. Temperature rating: -35°C to 66°C (-31°F to 150.8°F)
Electrical	Dielectric Voltage: withstands 2000V per UL 498 Current interrupting: yes, at full-rated current Temperature Rise: max. 30°C (86°F) after 250 cycles of overload at 200% of rated current (DC)	Meets all UL 943 requirements. Trip threshold (5ma +/- 1ma) and response time (0.025 sec.) meet Class A requirements 10kA Short Circuit Current rating Dielectric Voltage: withstands 2000V per UL 498 Current interrupting: yes, at full-rated current Temperature Rise: max. 30°C (86°F) after 100 cycles of overload	Meets all UL 943 requirements. Trip threshold (5ma +/- 1ma) and response time (0.025 sec.) meet Class A requirements 10kA Short Circuit Current rating Dielectric Voltage: withstands 2000V per UL 498 Current interrupting: yes, at full-rated current Temperature Rise: max. 30°C (86°F) after 100 cycles of overload
Mechanical	Terminal Accommodation: #14 - #10 AWG Voltage ratings and TR permanently marked on device	Terminal Accommodation: #10 - #14 AWG Voltage ratings permanently marked on device	Terminal Accommodation: #10 - #14 AWG Voltage ratings permanently marked on device
Materials			
Face	Thermoplastic, Nylon	Nylon	Nylon
Base	Thermoplastic, Nylon	Polycarbonate	Polycarbonate
Strap	0.050" Steel, Zinc Plated	0.047" Thick Steel, Zinc Plated	0.047" Thick Steel, Zinc Plated
Auto Ground Clip	Brass	Brass	Brass
Terminals	#8-32 Brass/Nickel Plated Steel	0.030" High Performance Copper Alloy	0.030" High Performance Copper Alloy
Terminal Screws	#8-32 Brass	#8-32 Steel, Brass and Nickel Plated	#8-32 Steel, Brass and Nickel Plated
Ground Screw	Galvanized, Zinc Plated Steel	#8-32 Steel, Zinc Plated	#8-32 Steel, Zinc Plated