



Pump control panel with fused disconnect switch
NEMA controller size 4
3-Phase, 3-Pole
Maximum voltage rating 600VAC
Max Hp 60Hz: NA@200V; NA@230V; 100@460V; 100@575V
Solid-state overload relay(s) with 50–200A range
Control voltage 110–120/220–240VAC 60Hz
NEMA Type 3/3R enclosure

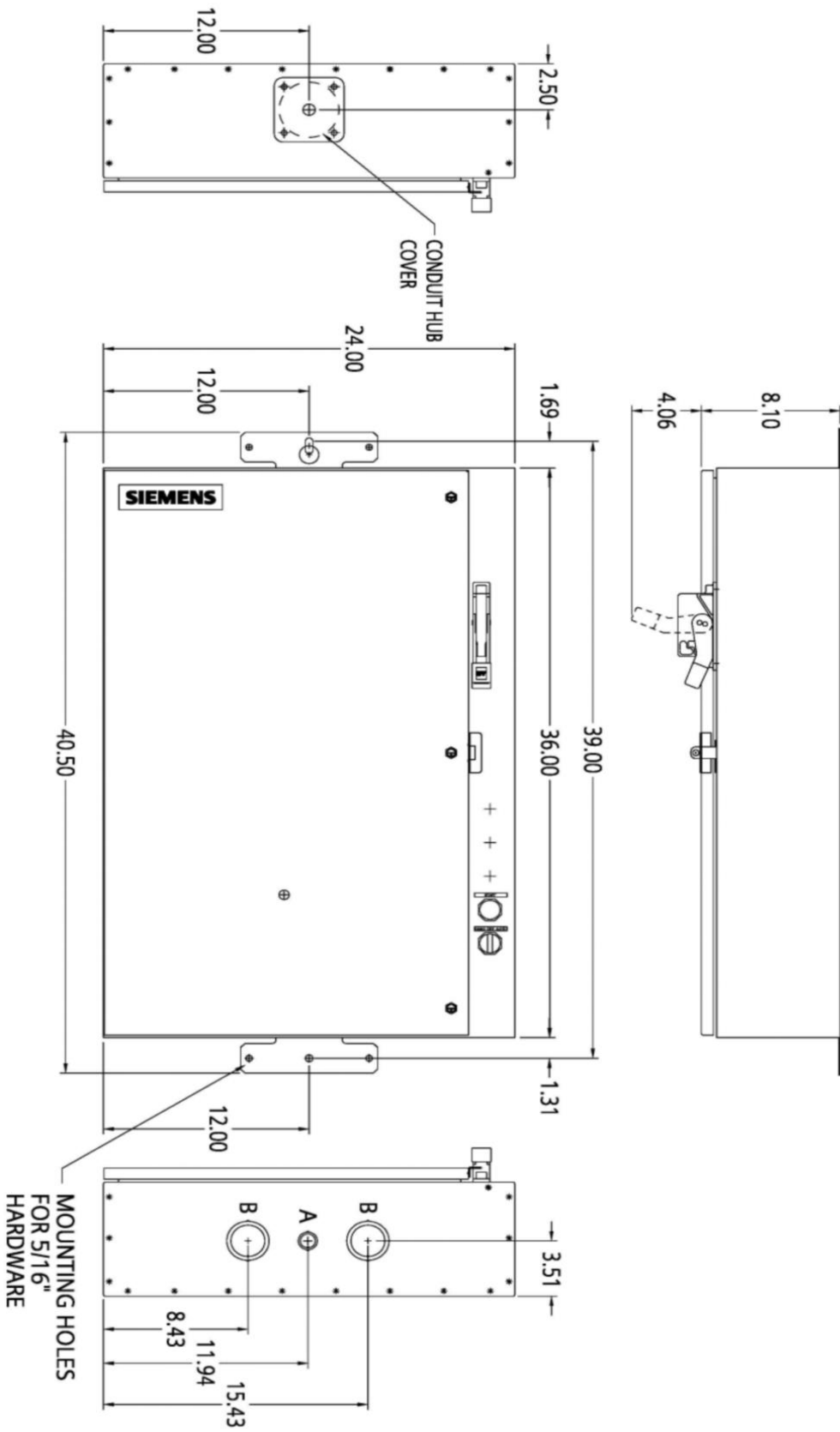


Image is representative and may not depict the actual product.

| General technical data: | |
|---|--|
| Weight | 87 lb |
| Height x Width x Depth | 41 x 24 x 8 in. |
| Finger-safe (main circuit / control circuit) | NA / NA |
| Maximum altitude | 6560 ft |
| Ambient storage temperature | (-30 to 65)°C / (-22 to 149)°F |
| Ambient operating temperature | (-20 to 40)°C / (-4 to 104)°F |
| Humidity (% non-condensing) | (no data) |
| Rated impulse voltage resistance | (no data) |
| Rated insulation voltage | (no data) |
| Country of origin | USA |
| Contactors: | |
| Number of NO main contacts | 3 |
| Amp rating | 135A |
| Mechanical operating cycles | 5,000,000 |
| Internal/standard auxiliary contact: | |
| Number of NC / NO auxiliary contacts | 0NC / 1NO |
| Rating | 10A@600VAC (A600), 5A@600VDC (P600) |
| Optional auxiliary contact: | |
| Max number of NC / NO auxiliary contacts | 7 total |
| Rating | 10A@600VAC (A600), 5A@600VDC (P600) |
| Coil: | |
| Voltage | 110–120/220–240VAC 60Hz Coil |
| Sealed watts | 22W |
| Inrush / sealed power | 510 / 51 VA |
| Normal coil operating limits (% of rated voltage) | 85% - 110% |
| Typical drop-out volts (% of rated voltage) | 50% |
| Pick-up time / Drop-out time | 18-34 / 10-12 msec |
| Overload Relay: | |
| Current range | 50–200A |
| Trip Class | Class 5 / 10 (factory set) / 20 / 30 |
| Trip detection | Overload, phase failure, phase unbalance, ground fault |
| Phase failure sensitivity | Trip time after phase-loss: < 3 sec |
| Repeat accuracy | Within 1% |
| Reset options | Manual, automatic and remote |
| External reset | Yes |
| Test function | Electronics & manual actuation |
| Conformal coating on printed circuit board | Yes |
| Number of NC / NO auxiliary contacts | 1NC / 1NO |
| Rating of auxiliary contacts | 5A@600VAC (B600), 1A@250VDC (R300) |
| Single contact isolation | 600V |

| | |
|--|---|
| Dual contact isolation | 300V differing polarity / 600V common polarity |
| Disconnect Switch: | |
| Rating | 200A with 200A/600V Class H fuse clips |
| Fuse type accepted | Class H, J (convertible), K and R |
| Enclosure: | |
| Type | NEMA Type 3/3R enclosure |
| Rating | Weather proof for outdoor use |
| Standard Control Devices: | |
| Hand-Off-Auto selector switch | 30mm metal housing with chrome finish |
| Start push button | 30mm metal housing with chrome finish |
| Mounting/wiring: | |
| Mounting orientation | Vertical |
| Mounting type | Surface |
| Line side connection type / torque | Box lug / (refer to actual product for torque specs) |
| Line side solid & stranded conductors | 1x(6 AWG - 300 kcmil) 75°C AL or CU |
| Load side connection type / torque | Box lug / 200 lb-in. |
| Load side solid & stranded conductors | 1x(6 AWG - 250 MCM) 75°C CU |
| Coil connection type / torque | Screw / 5 lb in. - 12 lb in. |
| Coil solid & stranded conductors | 2 x (16 - 12 AWG) CU 60/75°C |
| Main auxiliary contact connection type / torque | Screw / 10 - 15 lb-in |
| Main auxiliary contact solid & stranded conductors | 1 x (12 AWG), 2 x (16 - 14 AWG), 2 x (18 - 16 AWG) 75°C CU |
| OLR auxiliary contact connection type / torque | Screw / 7 lb in. - 10 lb in. |
| OLR auxiliary contact solid & stranded conductors | 2 x (20 - 14 AWG) CU 60/75°C |
| Short circuit current rating: | |
| Fuses | 10kA@600V (Class H or K); 100kA@600V (Class R or J) |
| Certificates/approvals: | |
| | UL (file no. E185287) cUL (file no. E185287 for Canada) CSA (file no. 006535 C 000) ISO 9001 certification |
| Additional information: | |
| | Brochure OLR instruction sheet & trip curves |

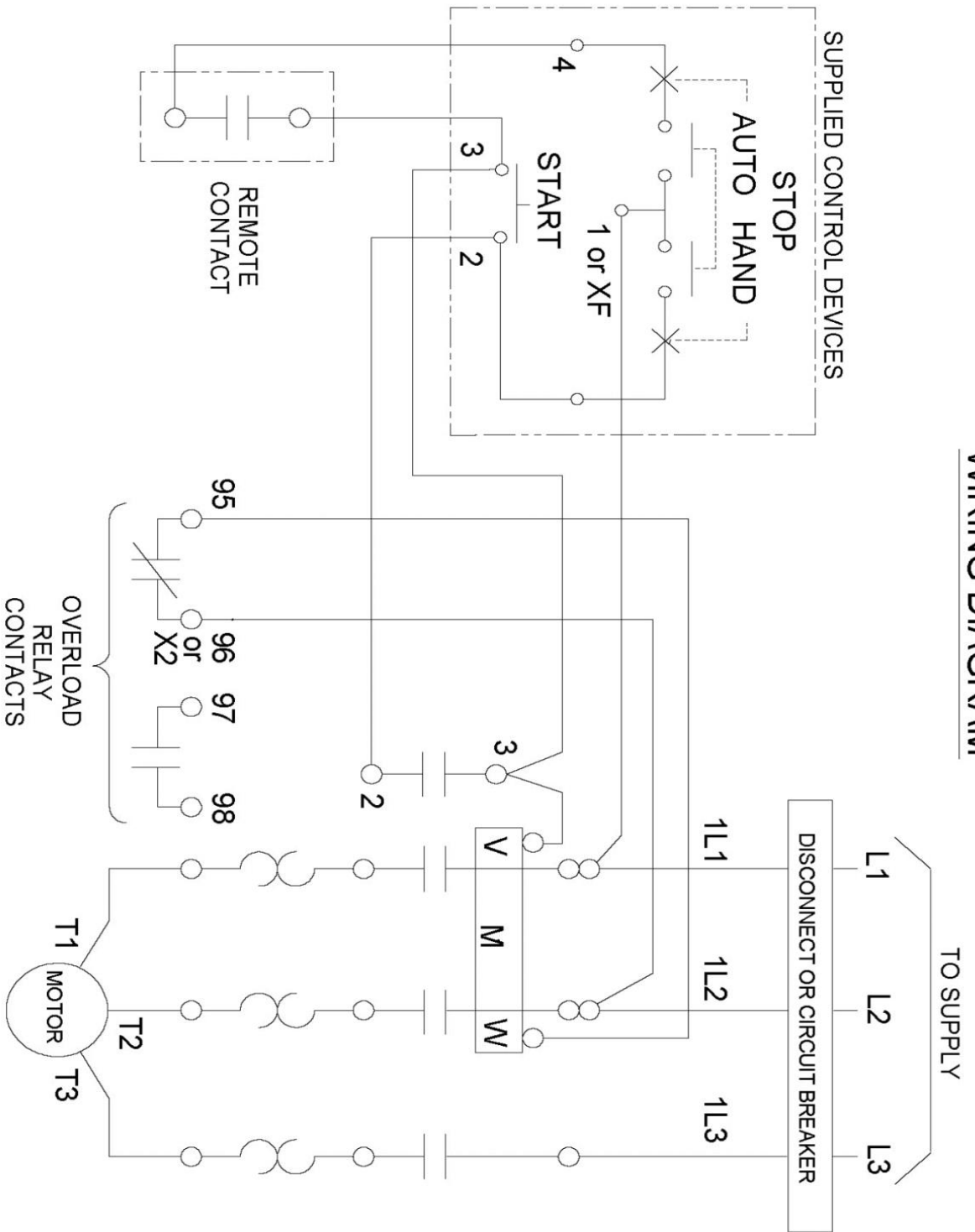
OUTLINE 41x24x8 NEMA 3R



| LETTER | CONDUIT SIZE |
|--------|-----------------------------|
| A | 7/8" & 1-1/8" CONDUIT |
| B | 1-31/32" & 2-15/32" CONDUIT |

DIMENSIONS ARE IN INCHES.
 FILE NAME: SFIS-D68774011-0211

WIRING DIAGRAM



REF. D63677012