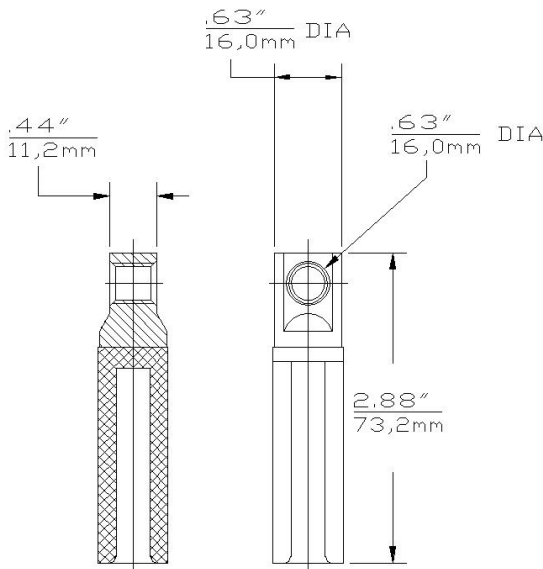


ALL	200A Loadbreak Long Bi-Metal Contact	02500XXX
-----	--------------------------------------	----------



02500XXX bi-metallic connectors consist of a copper tip section and a universal aluminum crimp barrel for aluminum or copper conductor. Units are designed for use with **161/162LR**, **261/262LR**, **375/376LR**, and **252LR** elbows on aluminum or copper conductors.



Each kit contains the following:

- | | | |
|---|-------------|----------|
| 1 | Connector | 02500XXX |
| 1 | Crimp Chart | CC-0020 |

Ordering Instructions:

XXX Code	Conductor Size AWG or kcmil		Connector only
	Strand./ Compr.	Solid/ Comp.	Bi-Metal
190		#4	02500190
200	#4	#3	02500200
210	#3	#2	02500210
220	#2	#1	02500220
230	#1	1/0	02500230
240	1/0	2/0	02500240
250	2/0	3/0	02500250
260	3/0	4/0	02500260
270	4/0	250	02500270