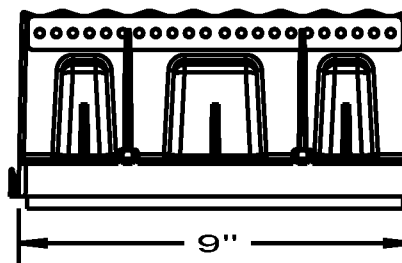
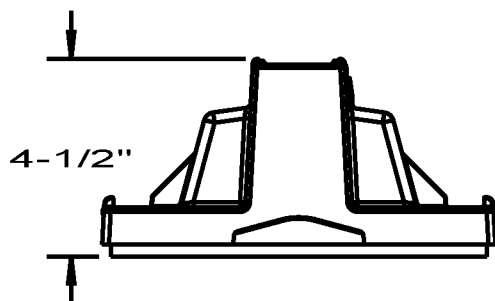
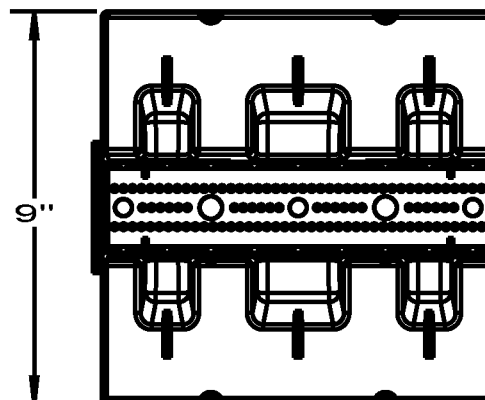
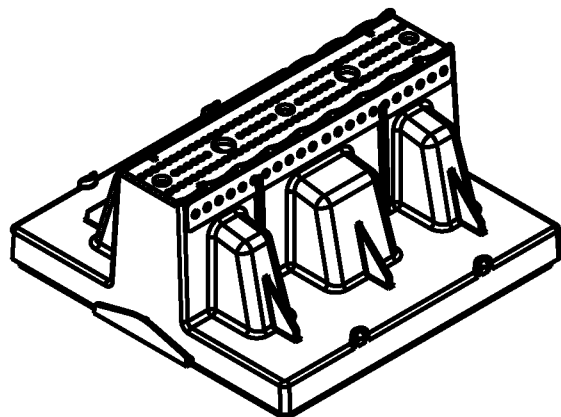


# Superstrut

MADE IN  
**USA**



CATALOG No. : TB - RTB - 01

MATERIAL: PP BASE, FOAM CORE

LOAD LIMIT: 250 lbs. Single Point, 350 lbs. Dual Point

SPACING: Space Blox every 7 feet along piping


PACKAGE QTY: 8

SCREW INDENTS GUIDE FASTENING SCREWS INTO INTERNAL THREADS.

#10 SHEET METAL SCREWS RECOMMENDED

BLOX SUPPLIED WITH 3/4" GALVANIZED CLAMP FOR UP TO 2" PIPE

3/8" OR 1/2" THREADED ROD CAN BE USED - ASSEMBLED FROM TOP

GENERAL NOTES		 A Member of the ABB Group			
1. ALL DIMENSIONS ARE FOR REFERENCE ONLY. 2. DIMENSIONS IN BRACKETS [ ] ARE IN METRIC UNITS.					
REVISIONS		ORIGINAL PROJECT NO / ( ERN NO )      SHEET NO:      REV. NO:      DRAWING NO:			
**** SEE ERN (****) FOR APPROVAL SIGNATURES & RELEASE DATE. PROJECT NO: ****		005P00510 / ( 2014903 )	1 OF 1	0	WSD-001192